

# Calibration Guide

## Agilent Technologies 8560 E-Series and EC-Series Spectrum Analyzers

Volume I & II



**Agilent Technologies**

**Manufacturing Part Number: 08560-90171**  
**Supersedes February 2002**

**Printed in USA**

**May 2010**

© Copyright 1991-2010 Agilent Technologies, Inc.

---

## Notice

The information contained in this document is subject to change without notice.

Agilent Technologies makes no warranty of any kind with regard to this material, including but not limited to, the implied warranties of merchantability and fitness for a particular purpose. Agilent Technologies shall not be liable for errors contained herein or for incidental or consequential damages in connection with the furnishing, performance, or use of this material.

---

## Certification

Agilent Technologies certifies that this product met its published specifications at the time of shipment from the factory. Agilent Technologies further certifies that its calibration measurements are traceable to the United States National Institute of Standards and Technology, to the extent allowed by the Institute's calibration facility, and to the calibration facilities of other International Standards Organization members.

---

## Regulatory Information

The specifications and characteristics chapters and *General Regulatory and Safety Information* chapter in this manual contain regulatory information.

---

## Warranty

This Agilent Technologies instrument product is warranted against defects in material and workmanship for a period of one year from date of shipment. During the warranty period, Agilent Technologies will, at its option, either repair or replace products which prove to be defective.

For warranty service or repair, this product must be returned to a service facility designated by Agilent Technologies. Buyer shall prepay shipping charges to Agilent Technologies and Agilent Technologies shall pay shipping charges to return the product to Buyer. However, Buyer shall pay all shipping charges, duties, and taxes for products returned to Agilent Technologies from another country.

Agilent Technologies warrants that its software and firmware designated by Agilent Technologies for use with an instrument will execute its programming instructions when properly installed on that instrument. Agilent Technologies does not warrant that the operation of the instrument, or software, or firmware will

be uninterrupted or error-free.

#### LIMITATION OF WARRANTY

The foregoing warranty shall not apply to defects resulting from improper or inadequate maintenance by Buyer, Buyer-supplied software or interfacing, unauthorized modification or misuse, operation outside of the environmental specifications for the product, or improper site preparation or maintenance.

NO OTHER WARRANTY IS EXPRESSED OR IMPLIED. AGILENT TECHNOLOGIES SPECIFICALLY DISCLAIMS THE IMPLIED WARRANTIES OF MERCHANTABILITY AND FITNESS FOR A PARTICULAR PURPOSE.

#### EXCLUSIVE REMEDIES

THE REMEDIES PROVIDED HEREIN ARE BUYER'S SOLE AND EXCLUSIVE REMEDIES. AGILENT TECHNOLOGIES SHALL NOT BE LIABLE FOR ANY DIRECT, INDIRECT, SPECIAL, INCIDENTAL, OR CONSEQUENTIAL DAMAGES, WHETHER BASED ON CONTRACT, TORT, OR ANY OTHER LEGAL THEORY.

---

## Assistance

*Product maintenance agreements and other customer assistance agreements are available for Agilent Technologies products.*

*For any assistance, contact your nearest Agilent Technologies Sales and Service Office.*

---

## Cleaning

The instrument front and rear panels should be cleaned using a soft cloth with water or a mild soap and water mixture.

---

## General Safety Considerations

---

**WARNING** *Before this instrument is switched on, make sure it has been properly grounded through the protective conductor of the ac power cable to a socket outlet provided with protective earth contact.*

**Any interruption of the protective (grounding) conductor, inside or outside the instrument, or disconnection of the protective earth terminal can result in personal injury.**

---

**WARNING** *There are many points in the instrument which can, if contacted, cause personal injury. Be extremely careful.*

**Any adjustments or service procedures that require operation of the instrument with protective covers removed should be performed only by trained service personnel.**

---

**CAUTION** *Before this instrument is switched on, make sure its primary power circuitry has been adapted to the voltage of the ac power source.*

*Failure to set the ac power input to the correct voltage could cause damage to the instrument when the ac power cable is plugged in.*

---

---

## Differences between Agilent Technologies 8560 E-Series and EC-Series Spectrum Analyzers

1. EC-series analyzers use a color LCD display which is not adjustable. E-series instruments use a monochrome CRT display which can be adjusted for focus and intensity. E-series analyzers use a high-voltage module (HVM), located in the power supply, to supply power to the CRT. EC-series analyzers do not use an HVM.
2. EC-series analyzers offer fast analog-to-digital-conversion (FADC) digitized sweep times as a standard feature. EC-series FADC circuitry is integrated into the A2 controller board. E-series instruments offer FADC feature as an option (Option 007) which is implemented through the use of the A16 FADC board. FADC enables you to view displays with fast sweep times, between 30 ms and 50  $\mu$ s.
3. EC-series instruments offer a rear-panel VGA connection as a standard feature. E-series instruments do not have a rear-panel VGA connector. The VGA connection is always active and does not require user activation.

In all other operational respects the 8560 EC-series and E-series are identical.

---



## 1. Using Operation Verification Software – Volume I

What You'll Find in This Chapter	12
Getting Started	13
Using Operation Verification	22
Operation Verification Menu Softkeys	34
Test Descriptions	36
10 MHz Reference Accuracy	37
1ST LO OUTPUT Amplitude Accuracy	38
Calibrator Amplitude Accuracy	39
Displayed Average Noise Level	40
Fast Sweep Time Accuracy	41
Frequency Readout/Frequency Counter Accuracy	42
Frequency Response	43
Frequency Span Accuracy	45
IF Gain Uncertainty	46
Image and Multiple Responses	47
Input Attenuator Switching Uncertainty	48
Noise Sidebands	49
RES BW Accuracy and Selectivity	50
RES BW Switching and IF Alignment Uncertainty	51
Residual FM	52
Scale Fidelity	53
Second Harmonic Distortion	54
Operation Verification Error Messages	56

## 2. 8560E/EC Specifications and Characteristics

Specifications and Characteristics	64
Calibration Cycle	64
Frequency Specifications	65
Amplitude Specifications	73
Tracking Generator Specifications (Option 002)	80
Inputs and Outputs Specifications	82
General Specifications	83
Frequency Characteristics	87
Amplitude Characteristics	91
Option 002 Tracking Generator Characteristics	93
Inputs and Outputs Characteristics	94
Regulatory Information	98

## 3. 8561E/EC Specifications and Characteristics

Specifications and Characteristics	102
Calibration Cycle	103
Frequency Specifications	104
Amplitude Specifications	112
Inputs and Outputs Specifications	119
General Specifications	120
Frequency Characteristics	124
Amplitude Characteristics	128

Inputs and Outputs Characteristics .....	130
Regulatory Information .....	134
<b>4. 8562E/EC Specifications and Characteristics</b>	
Specifications and Characteristics .....	138
Calibration Cycle .....	139
Frequency Specifications .....	140
Amplitude Specifications .....	149
Inputs and Outputs Specifications .....	157
General Specifications .....	158
Frequency Characteristics .....	162
Amplitude Characteristics .....	166
Inputs and Outputs Characteristics .....	169
Regulatory Information .....	173
<b>5. 8563E/EC Specifications and Characteristics</b>	
Specifications and Characteristics .....	178
Calibration Cycle .....	179
Frequency Specifications .....	180
Amplitude Specifications .....	189
Inputs and Outputs Specifications .....	197
General Specifications .....	198
Frequency Characteristics .....	202
Amplitude Characteristics .....	206
Inputs and Outputs Characteristics .....	209
Regulatory Information .....	213
<b>6. 8564E/EC Specifications and Characteristics</b>	
Specifications and Characteristics .....	218
Calibration Cycle .....	219
Frequency Specifications .....	220
Amplitude Specifications .....	229
Inputs and Outputs Specifications .....	237
General Specifications .....	238
Frequency Characteristics .....	242
Amplitude Characteristics .....	246
Inputs and Outputs Characteristics .....	250
Regulatory Information .....	254
<b>7. 8565E/EC Specifications and Characteristics</b>	
Specifications and Characteristics .....	258
Calibration Cycle .....	259
Frequency Specifications .....	260
Amplitude Specifications .....	269
Inputs and Outputs Specifications .....	277
General Specifications .....	278
Frequency Characteristics .....	282
Amplitude Characteristics .....	286

Inputs and Outputs Characteristics .....	290
Regulatory Information .....	294
<b>8. Using Performance Tests:</b>	
<b>3335A Source not Available</b>	
What You'll Find in This Chapter .....	298
Before You Start .....	299
Required Test Equipment .....	301
11a. Resolution Bandwidth Switching and IF Alignment Uncertainty .....	308
12a. Resolution Bandwidth Accuracy and Selectivity .....	312
13a. Input Attenuator Switching Uncertainty: 8560E/EC, 8561E/EC, 8562E/EC, and 8563E/EC .....	321
14a. Input Attenuator Switching Uncertainty: 8564E/EC and 8565E/EC .....	329
15a. IF Gain Uncertainty .....	338
16a. Scale Fidelity .....	346
33a. Second Harmonic Distortion: 8560E/EC .....	359
34a. Second Harmonic Distortion: Agilent 8561E/EC .....	361
36a. Frequency Response: 8560E/EC .....	366
37a. Frequency Response: 8561E/EC .....	377
38a. Frequency Response: 8562E/EC .....	393
39a. Frequency Response: Agilent 8563E/EC .....	416
40a. Frequency Response: Agilent 8564E/EC .....	435
41a. Frequency Response: Agilent 8565E/EC .....	458
43a. Third Order Intermodulation Distortion: 8560E/EC .....	480
44a. Third Order Intermodulation Distortion: Agilent 8561E/EC .....	484
45a. Third Order Intermodulation Distortion: Agilent 8562E/EC, Agilent 8563E/EC .....	491
46a. Third Order Intermodulation Distortion: Agilent 8564E/EC, Agilent 8565E/EC .....	500
<b>9. General Regulatory and Safety Information</b>	
Safety Symbols .....	510
General Safety Considerations .....	511
<b>10. Using Performance Tests – Volume II</b>	
What You'll Find in This Chapter .....	514
Performance Tests versus Operation Verification .....	515
Before You Start .....	516
Agilent 85629B Functional Tests .....	521
Running the Functional Tests .....	523
1. 10 MHz Reference Output Accuracy .....	534
2. 10 MHz Reference Output Accuracy (Option 103) .....	538
3. Fast Sweep Time Accuracy (EC-Series and E-Series with Option 007) .....	540
4. Calibrator Amplitude Accuracy .....	542
5. Displayed Average Noise Level: 8560E/EC .....	544
6. Displayed Average Noise Level: Agilent 8561E/EC .....	550
7. Displayed Average Noise Level: Agilent 8562E/EC .....	556
8. Displayed Average Noise Level: Agilent 8563E/EC .....	562
9. Displayed Average Noise Level: Agilent 8564E/EC .....	570
10. Displayed Average Noise Level: Agilent 8565E/EC .....	579
11. Resolution Bandwidth Switching and IF Alignment Uncertainty .....	589

12. Resolution Bandwidth Accuracy and Selectivity .....	592
13. Input Attenuator Switching Uncertainty: 8560E/EC, Agilent 8561E/EC, Agilent 8562E/EC/, Agilent 8563E/EC .....	600
14. Input Attenuator Switching Uncertainty: Agilent 8564E/EC, Agilent 8565E/EC .....	607
15. IF Gain Uncertainty .....	614
16. Scale Fidelity .....	619
17. Residual FM .....	629
18. Noise Sidebands: 8560E, Agilent 8561E, Agilent 8563E .....	632
19. Noise Sidebands .....	635
20. Image, Multiple, and Out-of-Range Responses: 8560E/EC .....	639
21. Image, Multiple, Out-of-Band, and Out-of-Range Responses: Agilent 8561E/EC .....	642
22. Image, Multiple, and Out-of-Band Responses: Agilent 8562E/EC .....	646
23. Image, Multiple, and Out-of-Band Responses: Agilent 8563E/EC .....	650
24. Image, Multiple, and Out-of-Band Responses: Agilent 8564E/EC .....	656
25. Image, Multiple, and Out-of-Band Responses: Agilent 8565E/EC .....	664
26. Frequency Readout/Frequency Count Marker Accuracy: 8560E/EC .....	672
27. Frequency Readout/Frequency Count Marker Accuracy: Agilent 8561E/EC .....	675
28. Frequency Readout Accuracy/Frequency Count Marker Accuracy: Agilent 8562E/EC .....	678
29. Frequency Readout Accuracy/Frequency Count Marker Accuracy: Agilent 8563E/EC .....	681
30. Frequency Readout Accuracy/Frequency Count Marker Accuracy: Agilent 8564E/EC .....	685
31. Frequency Readout Accuracy/Frequency Count& Marker Accuracy: Agilent 8565E/EC .....	689
32. Pulse Digitization Uncertainty .....	694
33. Second Harmonic Distortion: Agilent 8560E/EC .....	698
34. Second Harmonic Distortion: Agilent 8561E/EC .....	700
35. Second Harmonic Distortion: Agilent 8562E/EC, Agilent 8563E/EC, Agilent 8564E/EC, Agilent 8565E/EC .....	705
36. Frequency Response: 8560E/EC .....	712
37. Frequency Response: Agilent 8561E/EC .....	723
38. Frequency Response: Agilent 8562E/EC .....	738
39. Frequency Response: Agilent 8563E/EC .....	759
40. Frequency Response: Agilent 8564E/EC .....	775
41. Frequency Response: Agilent 8565E/EC .....	794
42. Frequency Span Accuracy .....	814
43. Third Order Intermodulation Distortion: 8560E/EC .....	817
44. Third Order Intermodulation Distortion: Agilent 8561E/EC .....	821
45. Third Order Intermodulation Distortion: Agilent 8562E/EC, 8563E/EC .....	827
46. Third Order Intermodulation Distortion: Agilent 8564E/EC, 8565E/EC .....	836
47. Gain Compression: 8560E/EC .....	844
48. Gain Compression: Agilent 8561E/EC .....	847
49. Gain Compression: Agilent 8562E/EC, Agilent 8563E/EC .....	851
50. Gain Compression: Agilent 8564E/EC, Agilent 8565E/EC .....	856
51. 1ST LO OUTPUT Amplitude: 8560E/EC .....	861
52. 1ST LO OUTPUT Amplitude: Agilent 8561E/EC, Agilent 8562E/EC, Agilent 8563E/EC, Agilent 8564E/EC, Agilent8565E/EC .....	865
53. Sweep Time Accuracy .....	868
54. Residual Responses: 8560E/EC .....	874
55. Residual Responses: Agilent 8561E/EC .....	877
56. Residual Responses: Agilent 8562E/EC, Agilent 8563E/EC, Agilent 8564E/EC, Agilent 8565E/EC .....	880
57. IF INPUT Amplitude Accuracy .....	883

58. Gate Delay Accuracy and Gate Length Accuracy	886
59. Delayed Sweep Accuracy	892
60. Tracking Generator Level Flatness	895
61. Absolute Amplitude and Vernier Accuracy	899
62. Maximum Leveled Output Power	902
63. Power Sweep Range	905
64. RF-Power-Off Residuals	908
65. Harmonic Spurious Outputs	911
66. Non-Harmonic Spurious Outputs	915
67. LO Feedthrough Amplitude	921
68. Tracking Generator Feedthrough	924
69. Frequency Tracking Range	928
70. Tracking Generator Frequency Accuracy	931
<b>11. 8560E/EC Performance Test Record</b>	
Test Record	936
<b>12. 8561E/EC Performance Test Record</b>	
Test Record	960
<b>13. 8562E/EC Performance Test Record</b>	
Test Record	982
<b>14. 8563E/EC Performance Test Record</b>	
Test Record	1004
<b>15. 8564E/EC Performance Test Record</b>	
Test Record	1028
<b>16. 8565E/EC Performance Test Record</b>	
Test Record	1056



---

**1** **Using Operation Verification Software –  
Volume I**

## **What You'll Find in This Chapter**

This automated test software is designed to give a high confidence level of spectrum analyzer operation in a reasonable amount of time. Instructions for using the software, brief descriptions of the tests, and a list of the software error messages are included in this chapter. Refer to [Table 1-3, on page 19](#), for the names of manual performance tests that are not included in the automated operation verification software.

## **What Is Operation Verification?**

Operation Verification automates many of the performance tests. It is recommended as a check of instrument operation for incoming inspection or after a repair. It performs 80 to 85 percent of the manual performance tests in less than 60 minutes (75 minutes for the Agilent 8564E/EC and Agilent 8565E/EC). It is designed to test an instrument operating within a 20 °C to 30 °C temperature range using a minimum set of test equipment. Refer to [Table 1-1, on page 16](#) for a list of tests performed.

If a test does not pass, the related manual performance test needs to be run. Related manual performance tests are listed at the top of each operation verification test description and the test procedures are in “Using Performance Tests” Chapter 10, of Volume II of the calibration guide.

## **Operation Verification versus Performance Tests**

The performance tests verify that the analyzer performance meets all specifications. Performance verification consists of executing all of the manual performance tests. It is time-consuming and requires extensive test equipment.



---

## Getting Started

First, make sure you have a compatible controller (computer), the proper test equipment, and a printer for recording test results. The following paragraphs describe requirements for controllers, test equipment, and printers. Once the proper equipment is identified, proceed to “Equipment Connections.”

### Spectrum Analyzers

The 8560 E-Series and EC-Series Operation and Verification software tests the following spectrum analyzers:

Spectrum Analyzer	Software Revision
8560E/EC	all
Agilent 8561E/EC	all
Agilent 8562E/EC	D.00.00 and later
Agilent 8563E/EC	all
Agilent 8564E/EC	C.00.00 and later
Agilent 8565E/EC	C.00.00 and later

Errors will occur if this software is used to test spectrum analyzers other than those listed above. Other versions of the operation verification software are available for testing other 8560 Series spectrum analyzers.

### Controller (Computer)

Operation Verification software requires using any combination of one of the following controllers and the HP BASIC operating system:

Controller
9000 model 216
9000 model 236
9000 model 310

Operating System
HP BASIC 2.0 with extensions 2.1
HP BASIC 3.0 and required BIN files
HP BASIC 4.0 and required BIN files

Other 9000 Series 300 controllers are compatible with the Operation Verification software; however, the graph printouts might not be full width. This is especially true with medium- and high-resolution displays.

The Operation Verification program requires at least 500K of free memory. The computer can have either single or dual GPIB ports. Refer to “[Dual-Bus Operation](#),” on page 28, under “[Using Operation Verification](#),” on page 22, for information on using the program with dual GPIB ports.

## Test Equipment

[Table 1-1, on page 16](#), lists the operation verification tests and the test equipment required for each test. You do not need all the test equipment connected to perform operation verification. You need only connect the equipment specified in each test to run that test.

---

### NOTE

The Agilent 3335A Synthesizer Level Generator, which is used in several operation verification tests, has been obsoleted. If an Agilent 3335A is not available, alternate test equipment can be used to perform comparable tests manually. Chapter 8 in this volume contains the information on alternate test equipment and manuals test procedures you will need to perform these tests.

---

[Table 1-2, on page 19](#), summarizes the equipment required to run the Operation Verification tests. Some tests, like 10 MHz Reference Accuracy, can use various model numbers of a particular equipment type. Information about selecting the equipment model number you want to use is provided in “[Setting GPIB Addresses](#),” on page 25, in this chapter under “[Using Operation Verification](#),” on page 22.

---

### NOTE

The validity of Operation Verification program measurements depends in part on required test equipment measurement accuracy. Verify proper calibration of test equipment before testing the analyzer with the software.

---

## Printers

All test results are sent to a GPIB printer. The program does not run without being connected to a GPIB printer. Virtually any GPIB graphics workstation printer can work. These tests have been run using the HP ThinkJet, 2671G, 82906A, and 9876G printers.

## Warmup Time

**Test Equipment Warmup** Allow sufficient warmup time for test equipment. Refer to their individual operating and service manuals for warmup specifications.

**Spectrum Analyzer Warmup** Warm the spectrum analyzer up for at least five minutes before performing the first test.

---

### NOTE

Since the preselector in the Agilent 8561E/EC, Agilent 8562E/EC, Agilent 8563E/EC, Agilent 8564E/EC and Agilent 8565E/EC spectrum analyzers is not peaked during the Frequency Response test, allow a 30 minute warmup at 20 °C to 30 °C before beginning this test. If you start running All Tests after five-minute warmup, the spectrum analyzer will have warmed up for 30 minutes by the time the Frequency Response test begins.

---

**Table 1-1 Equipment Required for Each Operation Verification Test**

Test Name	Equipment Required					
	Agilent 8560E/EC	Agilent 8561E/EC	Agilent 8562E/EC	Agilent 8563E/EC	Agilent 8564E/EC	Agilent 8565E/EC
10 MHz Reference Accuracy	5342A, 5343A, or 5350B*	5342A, 5343A, or 5350B*	5342A, 5343A, or 5350B*	5342A, 5343A, or 5350B*	5342A, 5343A, or 5350B*	5342A, 5343A, or 5350B*
1ST LO OUTPUT Amplitude Accuracy	8902A or 436A or 438A 8485A or 8481A	8902A or 436A or 438A 8485A or 8481A	8902A or 436A or 438A 8485A or 8481A	8902A or 436A or 438A 8485A or 8481A	8902A or 436A or 438A 8485A or 8481A	8902A or 436A or 438A 8485A or 8481A
Calibrator Amplitude Accuracy	8902A, 436A or 438A 8481A, or 8482A	8902A, 436A or 438A 8481A, or 8482A	8902A, 436A or 438A 8481A, or 8482A	8902A, 436A or 438A 8481A, or 8482A	8902A, 436A or 438A 8481A, or 8482A	8902A, 436A or 438A 8481A, or 8482A
Displayed Average Noise Level	909D	909D	909D	909D	85138B	85138B
Fast Sweep Time Accuracy	5342A, 5343A, or 5350B**	5342A, 5343A, or 5350B**	5342A, 5343A, or 5350B**	5342A, 5343A, or 5350B**	5342A, 5343A, or 5350B**	5342A, 5343A, or 5350B**
Frequency Readout/ Counter Accuracy	8340A/B or 83640A or 83650A 8120-4921	8340A/B or 83640A or 83650A 8120-4921	8340A/B or 83640A or 83650A 8120-4921	8340A/B or 83640A or 83650A 8120-4921	83640A or 83650A 8120-6164	83650A 8120-6164
Frequency Span Accuracy	8340A/B or 83640A or 83650A 11667A/B 8120-4921	8340A/B or 83640A or 83650A 11667A/B 8120-4921	8340A/B or 83640A or 83650A 11667A/B 8120-4921	8340A/B or 83640A or 83650A 11667B 8120-4921	83640A or 83650A 11667C 8120-6164	83650A 11667C 8120-6164

**Table 1-1 Equipment Required for Each Operation Verification Test**

Test Name	Equipment Required					
	Agilent 8560E/EC	Agilent 8561E/EC	Agilent 8562E/EC	Agilent 8563E/EC	Agilent 8564E/EC	Agilent 8565E/EC
Frequency* Response	8340A/B <i>or</i> 83640A <i>or</i> 83650A  3335A  8902A <i>or</i> 436A <i>or</i> 438A  8482A  11667A/B  8120-4921	8340A/B <i>or</i> 83640A <i>or</i> 83650A  3335A  8902A <i>or</i> 436A <i>or</i> 438A  8481A  11667A/B  8120-4921	8340A/B <i>or</i> 83640A <i>or</i> 83650A  3335A  8902A <i>or</i> 436A <i>or</i> 438A  8481A  11667A/B  8120-4921	8340A/B <i>or</i> 83640A <i>or</i> 83650A  3335A  8902A <i>or</i> 436A <i>or</i> 438A  8485A  11667B  8120-4921	83640A <i>or</i> 83650A  3335A  8902A <i>or</i> 436A <i>or</i> 438A  8487A  11667C  8120-6164	83650A    3335A  8902A <i>or</i> 436A <i>or</i> 438A  8487A  11667C  8120-6164
IF Gain* Uncertainty	3335A	3335A	3335A	3335A	3335A	3335A
Image and Multiple Responses	8340A/B <i>or</i> 83640A <i>or</i> 83650A  8902A <i>or</i> 436A <i>or</i> 438A  8481A  11667A/B  8120-4921	8340A/B <i>or</i> 83640A <i>or</i> 83650A  8902A <i>or</i> 436A <i>or</i> 438A  8481A  11667A/B  8120-4921	8340A/B <i>or</i> 83640A <i>or</i> 83650A  8902A <i>or</i> 436A <i>or</i> 438A  8481A  11667A/B  8120-4921	8340A/B <i>or</i> 83640A <i>or</i> 83650A  8902A <i>or</i> 436A <i>or</i> 438A  8485A  11667B  8120-4921	83640A <i>or</i> 83650A  8902A <i>or</i> 436A <i>or</i> 438A  8487A  11667C  8120-6164	83650A    8902A <i>or</i> 436A <i>or</i> 438A  8487A  11667C  8120-6164
Input* Attenuator Switching Uncertainty	3335A	3335A	3335A	3335A	3335A	3335A
Noise Sidebands	8662A <i>or</i> 8663A <i>or</i> CAL OUTPUT signal	8662A <i>or</i> 8663A <i>or</i> CAL OUTPUT signal	8662A <i>or</i> 8663A <i>or</i> CAL OUTPUT signal	8662A <i>or</i> 8663A <i>or</i> CAL OUTPUT signal	8662A <i>or</i> 8663A <i>or</i> CAL OUTPUT signal	8662A <i>or</i> 8663A <i>or</i> CAL OUTPUT signal
RES BW* Accuracy/ Selectivity	3335A	3335A	3335A	3335A	3335A	3335A
RES BW* Switching Uncertainty	3335A	3335A	3335A	3335A	3335A	3335A

**Table 1-1 Equipment Required for Each Operation Verification Test**

Test Name	Equipment Required					
	Agilent 8560E/EC	Agilent 8561E/EC	Agilent 8562E/EC	Agilent 8563E/EC	Agilent 8564E/EC	Agilent 8565E/EC
Residual FM	8662A or 8663A	8662A or 8663A	8662A or 8663A	8662A or 8663A	8662A or 8663A	8662A or 8663A
Scale* Fidelity	3335A	3335A	3335A	3335A	3335A	3335A
Second Harmonic Distortion	8340A/B or 83640A or 83650A 8902A or 436A or 438A 8485A or 8481A 11667A/B 0955-0306 8120-4921	8340A/B or 83640A or 83650A 8902A or 436A or 438A 8485A or 8481A 11667A/B 11689A (2 required) 0955-0306 8120-4921	8340A/B or 83640A or 83650A 8902A or 436A or 438A 8485A or 8481A 11667A/B 11689A (2 required) 0955-0306 8120-4921	8340A/B or 83640A or 83650A 8902A or 436A or 438A 8485A or 8481A 11667B 11689A (2 required) 0955-0306 8120-4921	83640A or 83650A 8902A or 436A or 438A 8485A or 8481A 11667C 11689A (2 required) 0955-0306 8120-6164	83650A 8902A or 436A or 438A 8485A or 8481A 11667C 11689A (2 required) 0955-0306 8120-6164

\* The 3335A Synthesizer Level Generator, which is used in several operation verification tests, has been obsoleted. If an 3335A is not available, alternate test equipment can be used to perform comparable tests manually. Chapter 8 in this volume contains the information on alternate test equipment and manuals test procedures you will need to perform these tests.

\*\*The Agilent 5350B is supported only in software revision D.00.00 and later.

**Table 1-2 Required Test Equipment Summary**

Type of Equipment	Model Number
Controller*	Series 200 9000 model 216 ( 9816) 9000 model 236 ( 9836) or 9000 model 310
Synthesizer/level generator	3335A
Synthesized sweeper (10 MHz to 26.5 GHz) (10 MHz to 40 GHz) (10 MHz to 50 GHz)	8340A/B ( 8560E/EC, 8561E/EC, 8562E/EC, and 8563E/EC) 85640A ( 8564E/EC) 85650A ( 8565E/EC)
Synthesized signal generator	8662A/8663A
Measuring receiver	8902A
Power meter	436A or 438A (alternate)
Microwave frequency counter	5343A
Microwave frequency counter	5342A (alternate)
Microwave frequency counter	5350B (alternate) †
Power sensor (100 kHz to 4.2 GHz)	8482A
Power sensor (50 MHz to 26.5 GHz) (50 MHz to 50 GHz)	8485A ( 8560E/EC, 8561E/EC, 8562E/EC, and 8563E/EC) 8487A ( 8564E/EC and 8565E/EC)
Power sensor (10 MHz to 18 GHz)	8481A (alternate for 8560E/EC, 8561E/EC, and 8562E/EC)
Power splitter (dc to 18 GHz) (dc to 26.5 GHz) (dc to 50 GHz)	11667A ( 8560E/EC, 8561E/EC, and 8562E/EC) 11667B ( 8560E/EC, 8561E/EC, 8562E/EC, and 8563E/EC) 11667C ( 8564E/EC and 8565E/EC)
4.4 GHz low-pass filter ( <i>two required</i> )	11689A ( 8561E/EC, 8562E/EC, 8563E/EC, 8564E/EC, and 8565E/EC)
50 $\Omega$ termination (dc to 26.5 GHz) (dc to 50 GHz)	909D ( 8560E/EC, 8561E/EC, 8562E/EC, and 8563E/EC) 85138B ( 8564E/EC and 8565E/EC)
50 MHz low-pass filter	0955-0306
Miscellaneous cables and adapters	As per test setup
GPIB printer	See "Printers"
* 500 kilobytes of free memory is required for the test program.	
† Th 5350B is supported only in software revision D.00.00 and later.	

**Table 1-3 Manual Performance Tests That Are Not Automated**

Pulse Digitization Uncertainty
--------------------------------

Table 1-3

**Manual Performance Tests That Are Not Automated**

Third Order Intermodulation Distortion
Gain Compression
Sweep Time Accuracy
Residual Responses
IF Input Amplitude Accuracy
Gate Delay Accuracy and Gate Length Accuracy
Delayed Sweep Accuracy
<b>These tests apply only to 8560E/EC Option 002:</b>
Tracking Generator Level Flatness
Absolute Amplitude and Vernier Accuracy
Maximum Leveled Output Power
Power Sweep Range
RF-Power-Off Residuals
Harmonic Outputs
Non-Harmonic Outputs
Tracking Generator Feedthrough
LO Feedthrough Amplitude
Frequency Tracking Range
Tracking Generator Frequency Accuracy

**Equipment Connections**

**Computer (Controller) Setup**

For 9000 model 216 or model 236 computers, setup instructions are provided in Chapter 1, “Computer Installation,” of the *BASIC Operating Manual*. For 9000 model 310 computers, setup information is provided in *Configuration Reference Manual* for Series 300 computers.



### **GPIB Cables**

All test equipment controlled by GPIB should be connected to the internal GPIB of the controller (select code 7). If the controller has only one GPIB connector, connect the spectrum analyzer to it as well. If the controller has dual GPIB connectors, connect the spectrum analyzer under test to the second GPIB (typically, select code 8).

### **10 MHz Reference**

The 10 MHz REF IN/OUT on the spectrum analyzer under test should be connected to the synthesized sweeper external frequency reference. That is, it should be connected to the FREQUENCY STANDARD EXT of the 8340A/B or the 10MHz REF INPUT of the 83640A or 83650A.

Connect the synthesized sweeper 10 MHz REF OUTPUT to the 40/N MHz REF INPUT of the 3335A. *Do not* connect the spectrum analyzer 10 MHz REF IN/OUT to the external frequency reference input of the 8663A; doing so invalidates the Noise Sidebands test results.

---

**NOTE**

Terminate the 3335A 10 MHz REF OVEN OUTPUT in 50  $\Omega$ . Do not connect the 10 MHz output to the external frequency reference input of any other test equipment.

---

### **Test Setups**

Test setups for each test are included with the test. These are in the “Test Descriptions” section of this chapter. The program prompts the operator to make appropriate equipment connections if the correct equipment setup is not detected.

## Using Operation Verification

### Loading the Program

Load BASIC into the computer. BASIC choices are:

- BASIC 2.0 and extensions 2.1
- BASIC 3.0 or 4.0, which must include the following binaries:

MAT

IO

GRAPH

GRAPHX

PDEV

IB

MS

CLOCK

CS80

DISC

KBD

For configuration instructions, refer to the *BASIC Operating Manual*. Download the Operation Verification software from [www.agilent.com/find/8560\\_software](http://www.agilent.com/find/8560_software).

Once the software is on a drive accessible by the test computer, type:

```
LOAD "VERIFY_6XE" , 1
```

Press **EXECUTE** on 9000 Series 200 computers, or **RETURN** on 9000 Series 300 computers, to load the software and start the program running.

## Program Operation

Operation Verification consists of three menus. They are the Conditions Menu, the Test Menu, and the Sensor Utilities Menu, which are accessed from the Conditions Menu. Program operation is controlled through a combination of softkeys and user prompts. Some prompts, primarily in the Conditions and Sensor Utilities Menus, require computer keyboard entries. Terminate keyboard entries with the **RETURN** or **ENTER** key. Most prompts, however, tell the user what to do next or provide informational messages.

If the message (any key) follows a prompt, pressing any key on the keyboard continues the program. If the message (any key or `Q' to quit) follows a prompt, pressing any key except Q continues the program. Pressing Q terminates the current procedure at the next, most logical point in the program.

## Conditions Menu

The first menu screen displayed is the Conditions Menu. The pointer displayed along the left edge of the screen may be moved with the knob (if one is present) or the up (↑) and down (↓) arrow keys. Notice that the menu has two pages. Moving the pointer below the last entry on the page brings up the next page. Similarly, moving the pointer above the first entry on a subsequent page brings up the preceding page. The two pages of the Conditions Menu have a four-line overlap. The last four lines of page 1 appear as the first four lines on page 2.

### Test Record Header Information

The information in the first six entries of this menu is printed out as part of the operation verification test record. The spectrum analyzer model number and serial number are stored in the analyzer memory. Software revisions before C.00.00 will not display the complete list of options if there are more than two. The program queries these numbers via GPIB and displays them. If the spectrum analyzer under test does not respond at the address listed under GPIB Addresses, or no address is listed, a message appears where the model and serial numbers are normally displayed.

The program also queries the time and date in the computer. If an 9000 Series 200 computer is used, it might be necessary to reset the time and date; 9000 Series 300 computers have built-in real-time clocks.

Entries for Operator, Test Conditions, and Other Comments are optional. Blank spaces are provided on the test record if no entry is made. To make or to change an entry, move the pointer to the line where the entry is to be made or changed. Press **Change Entry** and type in your new entry. Entries for Operator, Test Conditions, and Other Comments can be up to 37 characters long, but only the first 25 characters of the Operator entry are printed on the test record.

### System Mass Storage File Location

Calibration factor data for different power sensors and a customized set of conditions may be stored on disk. The mass storage unit specifier (msus) for the disk containing this information should be entered as the system mass storage file location. Refer to the *BASIC Operating Techniques Manual* for information on the syntax of the msus. Software revision C.00.00 and later allows a system mass storage file location with more than 37 characters though only the first and last 17 characters will be displayed.

## Power Sensors

The Operation Verification program supports four models of power sensors, but only two models are necessary to run all the tests. The Agilent 8481A may be substituted for the Agilent 8482A. The Agilent 8485A is required for the Agilent 8562E/EC and Agilent 8563E/EC, and the Agilent 8487A is required for the Agilent 8564E/EC and Agilent 8565E/EC. Refer to [“Sensor Utilities Menu,” on page 28](#), for more information regarding storing, viewing, editing, and purging cal factor data for power sensors.

To select a particular sensor of a certain model number, move the pointer to the desired model number and press **Change Entry**. Enter the last five digits of the power sensor serial number (that is, the serial number suffix). The program checks to see that a data file containing the cal factor data for that particular sensor exists.

To create, edit, view, or purge power sensor cal factor data files, press **Sensor Utils** to bring up the Sensor Utilities Menu. Refer to [“Sensor Utilities Menu,” on page 28](#), in this chapter for more information.

A WARNING message appears if the program does not find a data file for the sensor. If this occurs, check that the system mass storage file location specifies the disk where the power sensor data resides. If the system mass storage file location is correct, the cal factor data for that particular sensor has not been stored.

---

### NOTE

Power sensor data files created using the VERIFY\_62 Operation Verification software (for 8560A/61A/61B/62A/62B/63A spectrum analyzers) are not compatible with the VERIFY\_6XE Operation Verification software.

Refer to [“Sensor Utilities Menu,” on page 28](#), in this chapter for additional information.

## Setting GPIB Addresses

The last 11 lines (last 12 lines, for revision D.00.00 and later) of the Conditions Menu are for selecting the GPIB addresses of test equipment used for the Operation Verification program. It is not necessary to use all the test equipment listed. Some model numbers listed are “alternates.” [Table 1-1, on page 16](#), lists the test equipment required for each test and [Table 1-2, on page 19](#), lists model numbers allowed for a particular type of test equipment.

---

### NOTE

For software revisions B.01.00 and earlier, the Conditions Menu has two entries for Agilent 8340A/B synthesized sweepers. Only Agilent 8340A/B #1 is used.

Software revisions D.00.00 and later have an entry for an Agilent 5350 Series microwave frequency counter.

Entering zero as the test equipment address results in that model number being unavailable in the program (NA is displayed in the address field). To minimize possible confusion later, enter a zero for the address of each piece of test equipment that is not available.

Enter the address for each piece of test equipment that is available, including the

spectrum analyzer under test. Addresses must contain the select code of the bus to which the equipment is connected followed by the equipment address on that bus. For example, if the 8902A is at address 14 on a bus with a select code of 7, enter an address of 714. If the 8902A were on a bus with a select code of 12, you should enter an address of 1214.

A question mark (?) next to a GPIB address indicates the address has not been checked to verify a response. An asterisk (\*) next to a GPIB address indicates the address was checked and that an instrument responds at that address. If there is neither an asterisk nor a question mark next to an address, the address has been checked and no response was detected.

### Storing and Loading the Conditions File

The information in the Conditions Menu may be stored for future use by pressing **Store Conds**. A file named CONDITIONS is created on the disk specified by the system mass storage file location.

---

#### NOTE

CONDITIONS files for software versions B.01.00 and earlier are not compatible with software versions C.00.00 and C.01.00. Versions C.00.00 and later CONDITIONS files include entries for the 83640A and 83650A sweepers and the 8487A power sensor.

CONDITIONS files for software versions C.01.00 and earlier are not compatible with software versions D.00.00 and later. Versions D.00.00 and later CONDITIONS files include entries for 5350 Series microwave frequency counters.

---

When running the Operation Verification program in the future, set the system mass storage file location to read the disk where the CONDITIONS file is located and press **Load Conds**. If the CONDITIONS file resides on the default system mass storage file location, the CONDITIONS file is loaded automatically the next time the program is run.

The default system mass storage file location is : , 700 , 1. For the 9000 Model 236 ( 9836), it is necessary to use an external disk drive. The disk drive must support double-sided format.

### Getting to the Test Menu

Once all necessary items in the Conditions Menu are selected, you can run a test by pressing **Test Menu**. Before the Test Menu is displayed, these things occur:

- Appropriate power sensor data files are loaded.
- GPIB is checked for a response at each address.
- Serial and model number of the spectrum analyzer under test are queried.
- Reference level calibration is performed.

---

**NOTE**

Power sensor data files created using the VERIFY\_62 Operation Verification software (for 8560A/61A/61B/62A/62B/63A spectrum analyzers) are not compatible with the VERIFY\_6XE Operation Verification software.

Refer to “[Test Menu](#),” on page 30, “Test Menu” in this chapter for more details on running the tests. If a printer is unavailable, the Conditions Menu is displayed again rather than the Test Menu. All test results must be sent to the printer.

---

**NOTE**

Without a printer, Operation Verification tests do not run.

### Verifying the GPIB

To see which test equipment responds on GPIB, press **Verify Bus**. This check only verifies that there is a response at the address listed; it cannot tell that a particular piece of equipment is at a particular address. This is useful for verifying GPIB connections without entering the Test Menu.

### Querying the Spectrum Analyzer Serial Number

The Operation Verification program automatically queries the spectrum analyzer serial and model number on three occasions: at program initiation, when loading the CONDITIONS file, and when entering the Test Menu. To query the analyzer serial and model numbers at any other time, press **Query DUT S/N**. This is helpful for testing multiple spectrum analyzers; you do not have to reload the CONDITIONS file or restart the program.

### Exiting Operation Verification

Press **Exit Program** to exit the Operation Verification program.

### Dual-Bus Operation

The Operation Verification program may be used on dual GPIB systems, such as the microwave test set. In these systems, all the test equipment is connected to GPIB at select code 7, and the device under test (for example, the spectrum analyzer) is connected to GPIB at select code 8.

To run this program in a dual-bus configuration, enter equipment addresses as described in “[Setting GPIB Addresses](#),” on page 25, making sure that each address properly identifies the bus select code to which it is connected. Program operation is the same for dual-bus and single-bus configuration.

### Sensor Utilities Menu

Operation Verification needs to know the cal factors of each power sensor being used. Create, edit, view, and delete data files containing cal factors for each power sensor in the Sensor Utilities Menu. Power sensor data filenames include the last five digits of the power sensor serial number. For example,

for 8481A power sensors the filename is SEN81NNNNN

for 8482A power sensors the filename is SEN82NNNNN

for 8485A power sensors the filename is SEN85NNNNN

for 8487A power sensors the filename is SEN87NNNNN

where NNNNN represents the last five digits of the power sensor serial number (the serial number suffix). Note that the first two digits in the filename correspond to the last two digits of the power sensor model number.

All power sensor data files available on the system mass storage location file are listed upon entering the Sensor Utilities Menu.

---

**NOTE**

Power sensor data files created using the VERIFY\_62 Operation Verification software (for 8560A/61A/61B/62A/62B/63A Spectrum Analyzers) are not compatible with the VERIFY\_6XE Operation Verification software.

---



### **Adding a Power Sensor Data File**

To add a new power sensor data file, press **Add File**, and enter the power sensor model number as requested. An error message is displayed if a disk is not found at the current system mass storage file location.

When prompted for the power sensor serial number, enter only the last five digits (the serial number suffix). You are then prompted for a cal factor frequency and for the cal factor. These frequency/cal-factor pairs need not be entered in order of increasing frequency; the program inserts the pairs in their proper place. All frequencies should be entered in MHz.

A 50 MHz Cal-Factor must be entered in order to calibrate the power sensor. Some power sensors do not include a 50 MHz Cal-Factor on their chart or calibration record; it is listed as part of the Calibration Procedure on the case of the power sensor.

If a mistake is made entering a cal factor, enter the frequency of the erroneous cal factor at the next frequency prompt. Enter the correct cal factor at the next prompt. If an error was made entering the frequency value, enter the erroneous frequency at the next frequency prompt and a zero for the cal factor to delete that frequency point.

Once all cal factor data for a power sensor is entered, enter an *S* at the next frequency prompt. The power sensor data is then stored on disk.

### **Viewing and Editing a Power Sensor Data File**

Press **View/Edit** to view or edit a power sensor data file. Only data files listed on the screen can be viewed or edited. If a file is created but data is not stored, the filename is listed, but no data is viewed and it cannot be edited.

To change the cal factor at a particular frequency, enter that frequency at the frequency prompt, then enter the new cal factor.

To delete a frequency/cal factor pair, enter the frequency of the pair to be deleted and a cal factor of zero. Add a frequency/cal factor pair by entering the new frequency at the frequency prompt and the new cal factor.

### **Deleting a File**

Press **Delete File** to remove a listed file. At the prompt, enter the filename exactly as it appears on-screen. You are asked for confirmation to delete the file.

### Changing the System Mass Storage File Location

To add, edit, or view power sensor data on a disk other than the one currently specified by the system mass storage file location, press **System File**. Enter the msus of the new system mass storage file location. All power sensor files residing on that disk are listed. Upon returning to the Conditions Menu, the system mass storage file location is the one determined in the Sensor Utilities Menu.

### Listing Available Power Sensor Data Files

Press **List Files** to list all power sensor data files on the currently specified system mass storage location file.

### Returning to the Conditions Menu

Press **Cond Menu** to return to the Conditions Menu.

### Test Menu

The Test Menu displays all tests that can be performed by the Operation Verification program. Notice that the menu has two pages. Tests may be run in any of five modes. These are listed below.

- All Tests runs all 17 tests in the sequence shown on screen.
- Single Sequence runs a user-defined sequence of tests once.
- Single Test runs one test once.
- Repeat Sequence runs a user-defined sequence of tests until testing is aborted.
- Repeat Test runs a single test until the testing is aborted.

If GPIB controlled equipment for a given test does not respond over GPIB, that test is flagged **MISSING ETE** (missing electronic test equipment). These tests cannot be run and, if they are included as part of a sequence (All Tests, Single Sequence, or Repeat Sequence), they are ignored. See “List Equipment,” below.

If a test does not apply to the spectrum analyzer, the test will be flagged **TEST NOT APPLICABLE**. For example, if the spectrum analyzer is an E-Series instrument which does not have Option 007, the Fast Sweep Time Accuracy test will have the message **TEST NOT APPLICABLE** next to it.

Equipment connection prompts are displayed on the computer screen. Most tests check equipment connections and only prompt the operator if a misconnection is detected.

If more than one power meter (or the measuring receiver and one of the power meters) is present, the program asks which model to use as the power meter. Enter the model number without the alphabetic character (for example, enter 8902 for an 8902A). Similarly, if more than one frequency counter is present, the program asks which counter to use. Again, enter the model number without the alphabetic character.

The test currently being run and its test number are indicated in the screen title block of the spectrum analyzer under test.

### All Tests

To run all 17 tests in the sequence shown, press **All Tests**. The pointer moves to each test as it is being run. All Tests can be run in approximately 60 minutes (75 minutes for an Agilent 8564E/EC or Agilent 8565E/EC).

Three softkeys are displayed when running All Tests. Press **ABORT TEST** to abort the current test and continue to the next test. Press **ABORT SEQUENCE** to abort the All Test mode. Pressing **Restart** aborts and restarts the current test. If the spectrum analyzer is in the middle of a sweep, no action is taken until the sweep is completed.

### Single Sequence

Use this mode to perform a subset of the tests, to run a particular test a specified number of times, or to run all 16 tests in a sequence different from the All Tests sequence. After pressing **Single Sequence**, you are prompted for a test number. The sequence is displayed after each prompt. Up to 25 test numbers may be entered (test number duplication is permitted). Enter a zero to terminate building the sequence and begin testing.

If an error is made in entering the sequence, enter a zero at the next prompt, then press **ABORT SEQUENCE**. Now press **Single Sequence** to reenter the correct sequence.

The **ABORT TEST**, **ABORT SEQUENCE**, and **Restart** softkeys have the same function as in the All Test mode.

### Single Test

Press **Single Test** to run the test indicated by the pointer. Once the test is running, press **Restart** to abort and restart the test.

### Repeat Sequence

The Repeat Sequence mode performs a user-defined set of tests repeatedly until the sequence is aborted. For example, if the desired sequence is test numbers 6,7,8,6,7,8,6,7,8,..., press **Repeat Sequence** and enter the sequence of 6,7,8. When the last test of this sequence is completed, the sequence is repeated.

The **ABORT TEST**, **ABORT SEQUENCE**, and **Restart** softkeys have the same function as in the All Test mode.

### Repeat Test

Use the Repeat Test mode to run a single test indefinitely. Move the pointer to the test to be repeated. Testing can be stopped by pressing **ABORT REPEAT**. Press **ABORT TEST** to abort and restart the test.

### Calibrate Power Sensor

The Operation Verification program keeps track of which power sensor is being used and the elapsed time since it was last calibrated.

The program prompts the user to recalibrate the power sensor if more than 2 hours elapses since the last calibration. Also, if the power sensor is changed, the new power sensor must be calibrated.

If there is a significant change in ambient temperature, or improved power meter accuracy is desired, it is advisable to recalibrate the sensor more often than the program requires. Press **Cal Sensor** and follow the instructions on the computer screen to recalibrate the power sensor.

### List Equipment

To obtain a list of required test equipment for running a test, move the pointer to the test, press **List Equip**. All GPIB controlled equipment and passive devices, other than required cables and adapters, are listed. If a test is flagged MISSING ETE but all test equipment appears present, press **List Equip** to see what is needed, then return to the Conditions Menu and verify that the equipment is present. Press **Cond Menu** to return to the Conditions Menu from the Test Menu.

### Test Results

At the end of each test, a PASS, SHORT PASS, or MEASUREMENT IS OUT OF TOLERANCE message is printed on the test record and displayed next to the test on the computer screen.

PASS indicates that the test is fully completed and all measurements are within specification limits.

SHORT PASS indicates that the test was abbreviated, usually due to equipment limitations, but the measurements made were within specification limits. Not all tests can be abbreviated. The meaning of Short Pass varies between each test; refer to “Test Descriptions” in this section for more information.

---

**NOTE**

A Short Pass is sufficient for passing Operation Verification alone. If Operation Verification is used as part of performance verification, all tests must yield a PASS result.

---

MEASUREMENT IS OUT OF TOLERANCE indicates that one or more of the measurements made during the test did not meet specification limits. If the data is shown in tabular form, the symbol <<<< is placed next to the out-of-tolerance data. In the event of a measurement-out-of-tolerance condition, it is recommended that any related manual performance test be performed to verify out-of-tolerance conditions. The related performance test for each operation verification test is listed at the beginning of each test description in this chapter.

---

**NOTE**

Because test results are expected to change over a period of time, Agilent Technologies warrants only the specification range and not the repeatability of data for any given specification.

---

## Operation Verification Menu Softkeys

This section provides a brief description of each menu of softkeys. More detailed information is provided in “Program Operation” in this chapter. The softkey order shown below may vary with what appears on the computer display; the order differs depending on whether an 9000 Series 200 or Series 300 computer is used.

### Conditions Menu

<b>Test Menu</b>	displays the Test Menu, which allows you to run tests once, repeatedly, or in a user-defined sequence. Refer to “Test Menu.”
<b>Load Conds</b>	loads the CONDITIONS file from the disk specified by the system mass storage file location.
<b>Sensor Utils</b>	displays the Sensor Utilities Menu, which allows viewing, editing, and adding power sensor data files. Refer to “Sensor Utilities Menu.”
<b>Change Entry</b>	permits changing a Conditions Menu entry, indicated by the pointer along the left edge of the computer display. Press the <b>RETURN</b> or <b>ENTER</b> keys to terminate an entry.
<b>Verify Bus</b>	checks each listed GPIB address for response. <b>Verify Bus</b> does not verify that a particular piece of equipment is at a specified address.
<b>Query DUT S/N</b>	queries the GPIB for the serial number and model number of the spectrum analyzer under test.
<b>Store Conds</b>	stores the current conditions in the CONDITIONS file on the specified system mass storage file location.
<b>Exit Program</b>	exits the Operation Verification program.

## Sensor Utilities Menu

<b>View/Edit</b>	allows user to view and edit power sensor data files.
<b>Add File</b>	creates a new power sensor data file.
<b>Delete File</b>	deletes a power sensor data file. User is asked for confirmation before deletion takes place.
<b>List Files</b>	lists all power sensor data files on the disk currently specified by the system mass storage file location.
<b>System File</b>	allows user to change the currently specified system mass storage file location.
<b>Cond Menu</b>	returns you to the Conditions Menu.

## Test Menu

<b>All Tests</b>	runs all 16 tests in the order listed by the program.
<b>Single Sequence</b>	allows entry of a test sequence that is run once.
<b>Single Test</b>	runs the test indicated by the pointer, once.
<b>Repeat Sequence</b>	allows entry of a test sequence that runs repeatedly until you abort testing.
<b>Repeat Test</b>	runs the test indicated by the pointer repeatedly until you abort the testing.
<b>Cal Sensor</b>	allows you to recalibrate the current power sensor and resets the internal “time-since-last-calibration” timer.
<b>List Equip</b>	lists the required equipment for the test indicated by the pointer.
<b>Cond Menu</b>	returns to the Conditions Menu.

## **Test Descriptions**

Each of the following test descriptions include the related specification, related performance test, and a test setup illustration used in Operation Verification. Operation Verification is designed to test a spectrum analyzer operating within a temperature range of 20 °C to 30 °C.



---

## 10 MHz Reference Accuracy

### Related Specification

Frequency Reference Accuracy (Option 103)

### Related Performance Test

2. 10 MHz Reference Output Accuracy (Option 103) in Chapter 10 of Volume II of the calibration guide.

### Test Description

The frequency of the CAL OUTPUT of the spectrum analyzer is counted by the microwave frequency counter and is compared to the specification. Measuring the CAL OUTPUT signal yields higher resolution than measuring the 10 MHz reference directly. This test applies only to Option 103 spectrum analyzers (the temperature-compensated crystal oscillator option).

---

#### NOTE

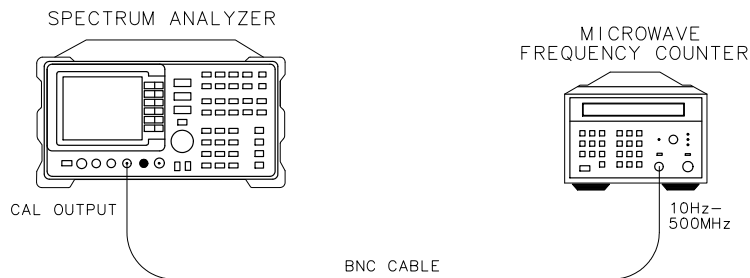
A Short Pass will be indicated if the analyzer is a non-Option 103 but passes the specification for Option 103.

Earlier revisions of the operation verification software measure the 10 MHz REF IN/OUT frequency directly.

---

**Figure 1-1**

### 10 MHz Reference Accuracy Test Setup



dp12e

---

## 1ST LO OUTPUT Amplitude Accuracy

### Related Specification

1ST LO OUTPUT Amplitude

### Related Performance Test

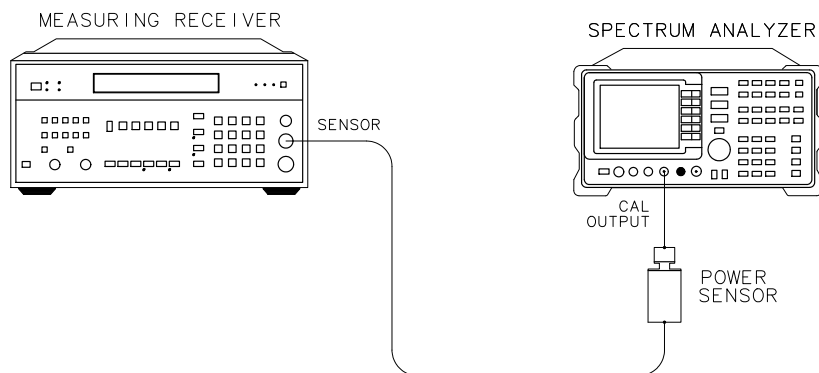
1ST LO OUTPUT Amplitude

### Test Description

The 1ST LO OUTPUT power is measured with a power meter. For spectrum analyzers without Option 002 (Tracking Generator), the spectrum analyzer is placed in external mixing mode and harmonic-locked to N=6. This allows for the maximum tuning range of the 1ST LO. For spectrum analyzers with Option 002 (8560E/ECs only), internal mixing mode is used. This limits the lowest 1st LO frequency that can be set.

Figure 1-2

### 1ST LO OUTPUT Amplitude Accuracy Test Setup



dj141e

## Calibrator Amplitude Accuracy

### Related Specification

CAL OUTPUT Amplitude

### Related Performance Test

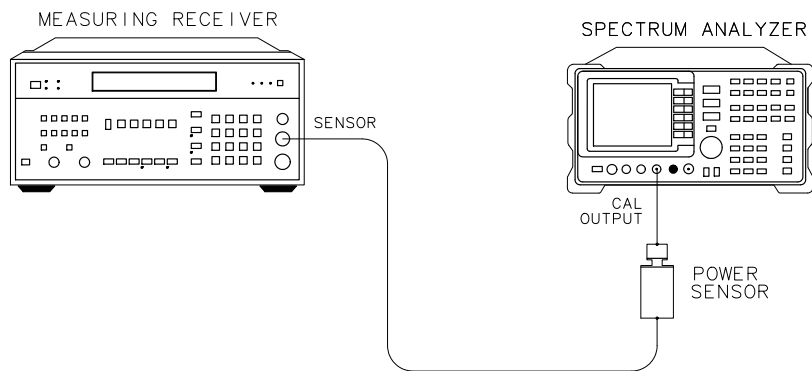
Calibrator Amplitude and Frequency Accuracy

### Test Description

The amplitude of the CAL OUTPUT signal is measured using a power sensor and either the measuring receiver or the power meter. The measured amplitude is compared to the specification.

Figure 1-3

### Calibrator Amplitude Accuracy Test Setup



dj141e

---

## Displayed Average Noise Level

### Related Specification

Displayed Average Noise Level

### Related Performance Test

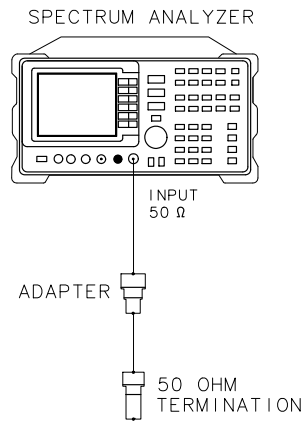
Displayed Average Noise Level

### Test Description

The spectrum analyzer INPUT 50  $\Omega$  is terminated in 50  $\Omega$ . The resolution bandwidth, video bandwidth, and input attenuation are set according to the spectrum analyzer specifications. The displayed average noise level is measured at several points in each band and the results are compared with the specification.

Figure 1-4

### Displayed Average Noise Level Test Setup



dj142e

## Fast Sweep Time Accuracy

### Related Specification

Sweep Time Accuracy (all EC-Series instruments and E-Series instruments with Option 007)

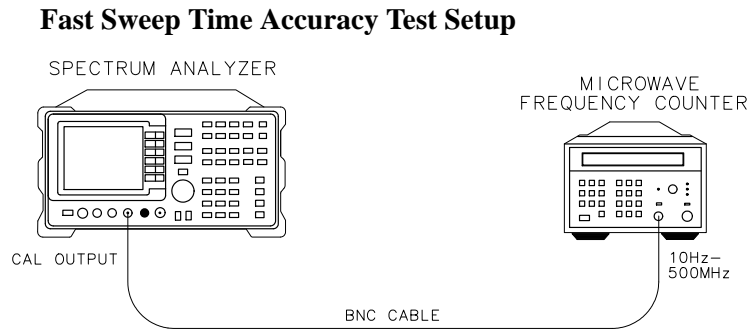
### Related Performance Test

Fast Sweep Time Accuracy (all EC-Series instruments and E-Series instruments with Option 007)

### Test Description

The sweep time accuracy for sweep times  $<30$  ms, in EC-Series spectrum analyzers and E-Series spectrum analyzers with Option 007, is dependent on the 10 MHz frequency reference absolute accuracy. The test measures the 300 MHz CAL OUTPUT frequency since it is referenced to the 10 MHz reference. Measuring the CAL OUTPUT signal yields higher resolution than measuring the 10 MHz reference directly.

Figure 1-5



dp12e

## Frequency Readout/Frequency Counter Accuracy

### Related Specifications

Frequency Readout Accuracy Frequency Count Marker Accuracy

### Related Performance Test

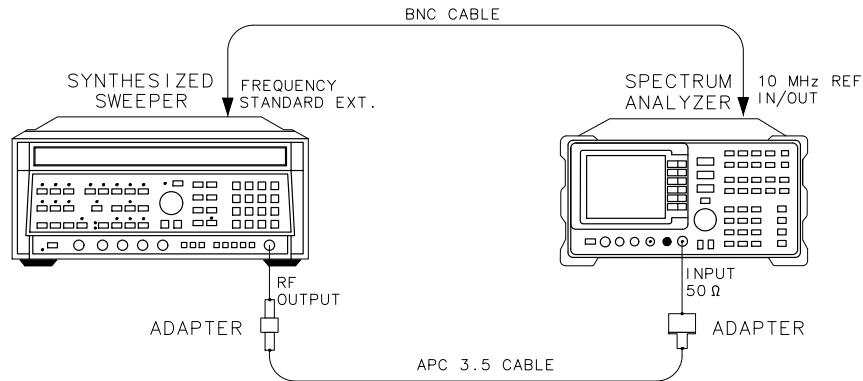
Frequency Readout Accuracy/ Frequency Count Marker Accuracy

### Test Description

The frequency of the synthesized sweeper signal is measured using both the normal marker and the frequency count marker. Both the “frequency readout  $\times$  frequency reference accuracy” and “marker frequency  $\times$  frequency reference accuracy” terms of the specification are zero, since the spectrum analyzer provides the frequency reference for the synthesized sweeper. The marker frequencies are compared to the specification.

Figure 1-6

### Frequency Readout/Counter Accuracy Test Setup



dj146e

## Frequency Response

### Related Specification

Frequency Response

### Related Performance Test

Frequency Response

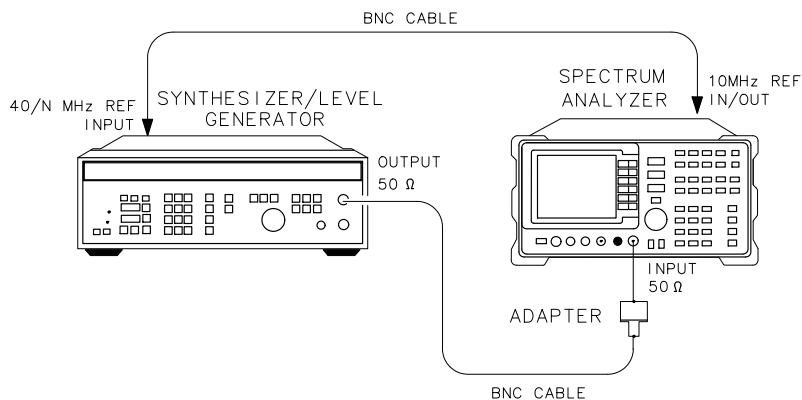
### Test Description

The spectrum analyzer frequency response is tested with two setups: the first, using the synthesizer/level generator, for frequencies between the spectrum analyzer minimum frequency and 50 MHz; and the second, using the synthesized sweeper and a measuring receiver or power meter, for frequencies above 50 MHz. If the synthesizer/level generator is not available, the frequency response above 50 MHz can still be tested. If the synthesizer/level generator is available, but you do not wish to perform the test below 50 MHz, enter a Q when prompted to connect the Agilent 3335A output to the spectrum analyzer input.

In both parts of this test, a signal of known amplitude is applied to the input of the spectrum analyzer and the analyzer marker amplitude is read. The frequency response relative to the calibrator frequency (300 MHz), within a given frequency band, is calculated and compared to specification. The band-switching uncertainty specification is verified by calculating the band-to-band frequency response. The band-to-band frequency response specification is equivalent to the sum of the in-band frequency response specifications of the two bands in question and the band-switching uncertainty specification.

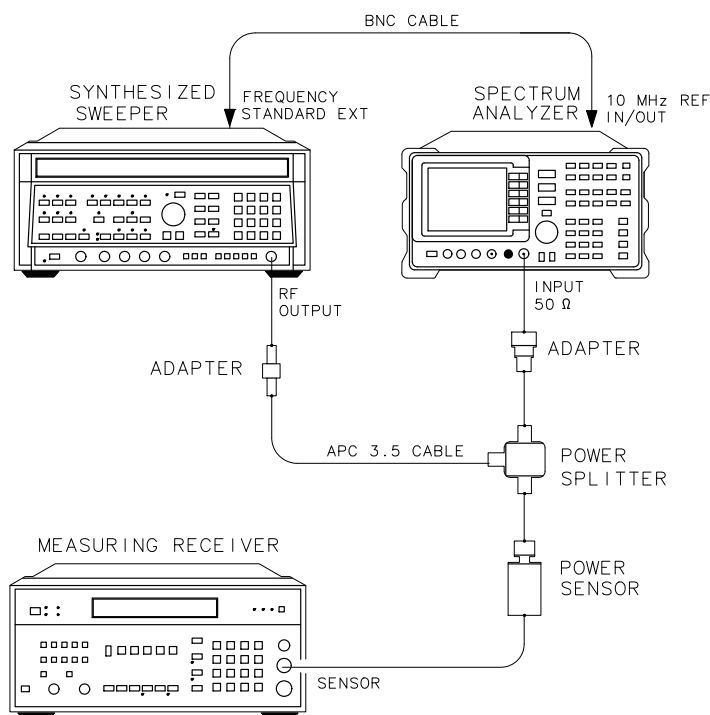
While the >50 MHz part of the test is running, a graph of frequency response relative to the CAL OUTPUT signal will be plotted on the computer display. This graph will be dumped to the printer when the test has been completed. If one of the band-to-band frequency response entries is out-of-tolerance, the <<<< symbol will be placed to the right of the row where the out-of-tolerance condition was detected. It will not necessarily be placed directly to the right of the out-of-tolerance entry. Check each entry in that row against the specification (listed in parentheses) to find the entry that is out of tolerance. A Short Pass will occur if the >50 MHz part of the test is within specification but the <50 MHz part of the test was not performed.

**Figure 1-7** Frequency Response Test Setup (<50 MHz)



dj143e

**Figure 1-8** Frequency Response Test Setup (>50 MHz)



dj149e



## Frequency Span Accuracy

### Related Specification

Frequency Span Accuracy

### Related Performance Test

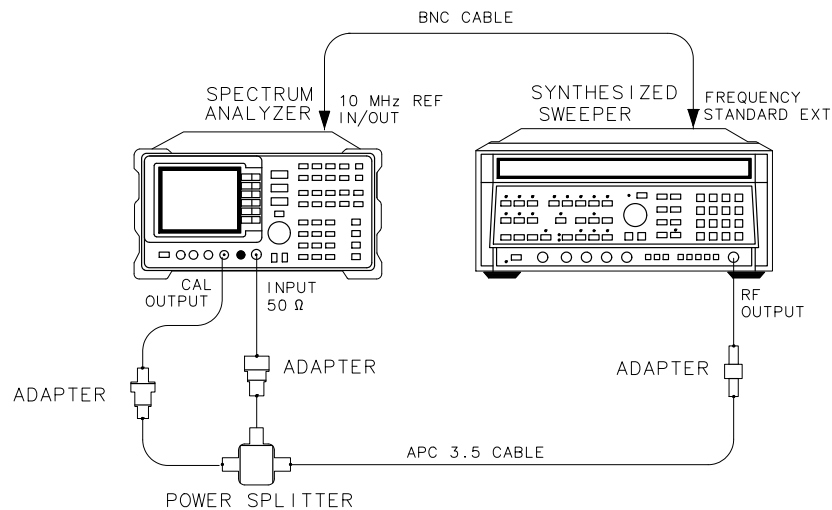
Frequency Span Accuracy

### Test Description

Two sources provide two signals of precise frequency separation. One source is a synthesized sweeper, and the second source is the CAL OUTPUT signal. The frequency separation is measured using the spectrum analyzer delta-marker function and compared to the specification. The frequency reference for the synthesized sweeper is provided by the spectrum analyzer.

Figure 1-9

### Frequency Span Accuracy Test Setup



dp115e

## IF Gain Uncertainty

### Related Specification

IF Gain Uncertainty

### Related Performance Test

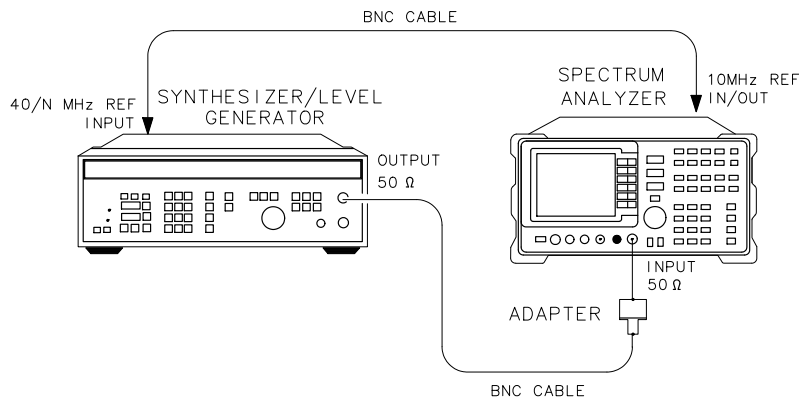
IF Gain Uncertainty

### Test Description

A signal source of known amplitude is connected to the spectrum analyzer and an amplitude reference is set. The signal source amplitude is stepped down as the spectrum analyzer is stepped down, and the signal amplitude is measured at each point. The amplitude variation with respect to the reference is compared to the specification. The test is performed in 1 dB steps from 0 dBm to -12 dBm reference levels, and in 10 dB steps from 0 dBm to -80 dBm reference levels. The 10 dB steps are tested in both log and linear scale factors.

Figure 1-10

### IF Gain Uncertainty Test Setup



dj143e

## Image and Multiple Responses

### Related Specifications

Image and Multiple Responses (8560E/EC) Image, Multiple, and Out-of-Band Responses (Agilent 8561E/EC, Agilent 8562E/EC, Agilent 8563E/EC, Agilent 8564E/EC, and Agilent 8565E/EC) Out-of-Range Responses (8560E/EC and Agilent 8561E/EC)

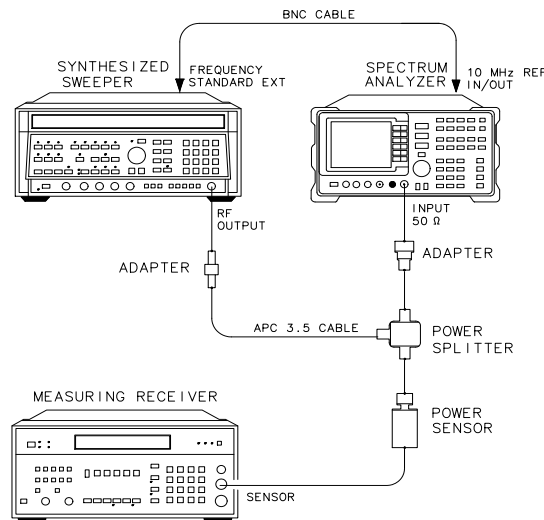
### Related Performance Test

Image, Multiple, and Out-of-Range Responses (8560E/EC) Image, Multiple, Out-of-Band, and Out-of-Range Responses (Agilent 8561E/EC) Image, Multiple, and Out-of-Band Responses (Agilent 8562E/EC, Agilent 8563E/EC, Agilent 8564E/EC, and Agilent 8565E/EC)

### Test Description

Image, multiple, out-of-band, and out-of-range responses are tested, as applicable, in each frequency band. A signal is applied to the signal analyzer input, then a reference amplitude measurement is made. The signal source is then tuned to a frequency that causes either an image, multiple, out-of-band, or out-of-range response. The amplitude displayed on the spectrum analyzer is measured and the difference between this measurement and the reference amplitude measurement is calculated.

**Figure 1-11** Image, Multiple, Out-of-Band, and Out-of-Range Responses Test Setup



dj149e

## Input Attenuator Switching Uncertainty

### Related Specification

Input Attenuator Switching Uncertainty

### Related Performance Test

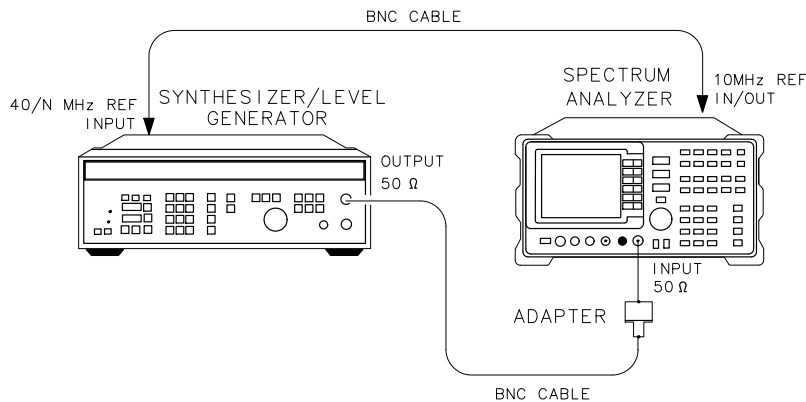
Input Attenuator Accuracy

### Description

The output of the Agilent 3335A is applied to the input of the spectrum analyzer, and an amplitude reference is set. The spectrum analyzer IF gain uncertainty is characterized using the Agilent 3335A as the reference. The 3335A is then reset to a fixed amplitude and the input attenuator is stepped from 10 dB to 70 dB (10 to 60 dB for the Agilent 8564E/EC and Agilent 8565E/EC). At each step, the amplitude deviation from the reference is measured using the marker functions. The input attenuator accuracy is calculated from the marker value and the characterized IF gain uncertainty. The input attenuator accuracy then is compared to the specification.

Figure 1-12

### Input Attenuator Accuracy Test Setup



dj143e

## Noise Sidebands

### Related Specification

Noise Sidebands

### Related Performance Test

Noise Sidebands

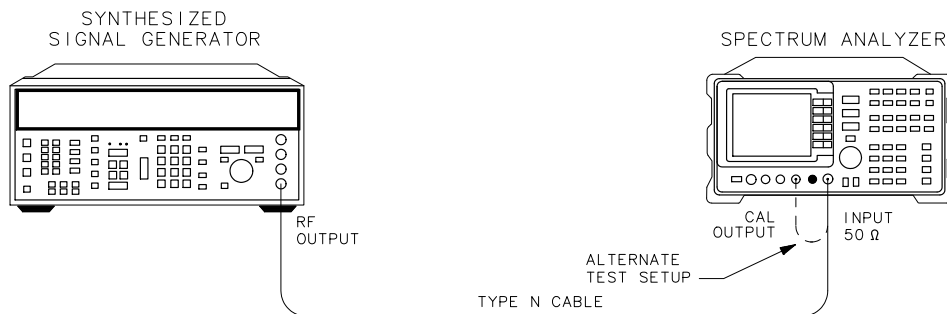
### Test Description

A clean signal source is applied to the input of the spectrum analyzer and the noise level at frequency offsets above and below the carrier are measured. These sideband levels are compared to the specification.

Noise sidebands measured at offsets of 1 kHz and less using the CAL OUTPUT signal will be up to 6 dB better than when measured using the synthesized signal generator. This difference is due to phase-coherency of the CAL OUTPUT signal and the internal local oscillators. Noise sidebands measured at offsets of 10 kHz and greater will be the same if the CAL OUTPUT signal or the synthesized signal generator is used (the signal generator frequency is set to 300 MHz).

**NOTE** Test results will be invalid if the source and the spectrum analyzer use the same frequency reference.

**Figure 1-13** Noise Sidebands Test Setup



dj145e

## RES BW Accuracy and Selectivity

### Related Specifications

Resolution Bandwidth Accuracy Resolution Bandwidth Selectivity

### Related Performance Test

Resolution Bandwidth Accuracy and Selectivity

### Description

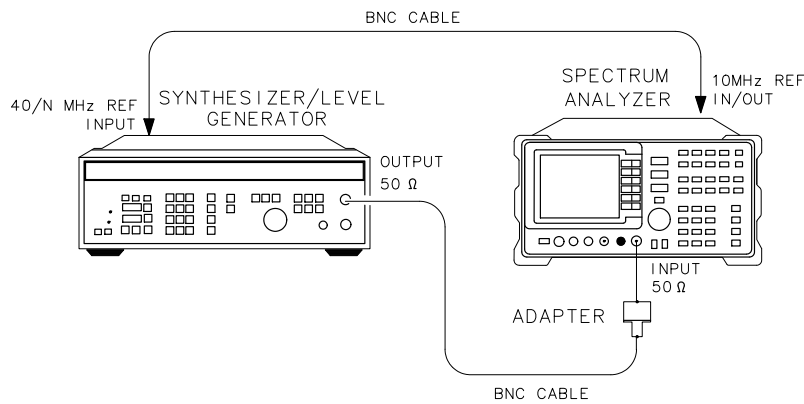
The output of a synthesizer/level-generator is connected to the input of the spectrum analyzer. The spectrum analyzer is set to a span approximately twice the resolution bandwidth setting (for measuring the 3 dB bandwidth).

The synthesizer/level-generator output is then reduced in amplitude by 3 dB. A marker reference is set and the synthesizer/level-generator output is increased 3 dB to its previous level. A sweep is taken, then the markers are used to measure the 3 dB bandwidth.

The 60 dB bandwidths are measured in a similar manner, with the span set about 15 to 20 times the resolution bandwidth setting. The ratio between the 60 dB and 3 dB bandwidths are calculated and stored.

RES BW settings less than 300 Hz are not measured. These bandwidths are digitally derived; therefore, their accuracy and shape factors are guaranteed by design.

**Figure 1-14** RES BW Accuracy and Selectivity Test Setup



dj143e

## RES BW Switching and IF Alignment Uncertainty

### Related Specifications

Resolution Bandwidth Switching Uncertainty IF Alignment Uncertainty

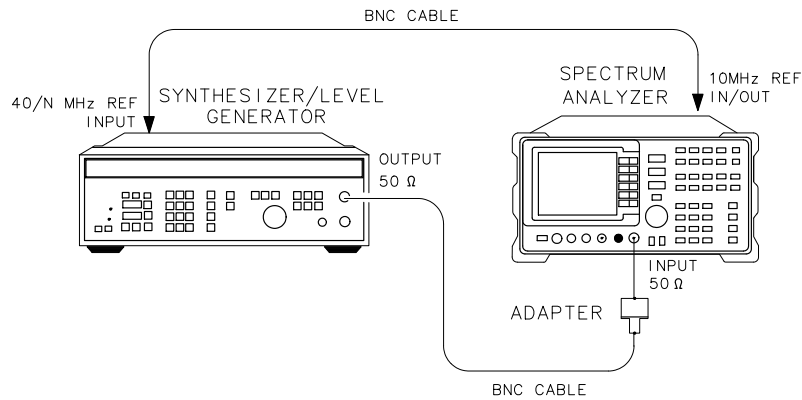
### Related Performance Test

Resolution Bandwidth Switching and IF Alignment Uncertainty

### Description

A signal is applied to the input of the spectrum analyzer and the signal amplitude is measured in each resolution bandwidth setting. The amplitude variation with respect to the 300 kHz resolution bandwidth is calculated and compared to the specifications.

**Figure 1-15** RES BW Switching Uncertainty Test Setup



dj143e

---

## Residual FM

### Related Specification

Residual FM

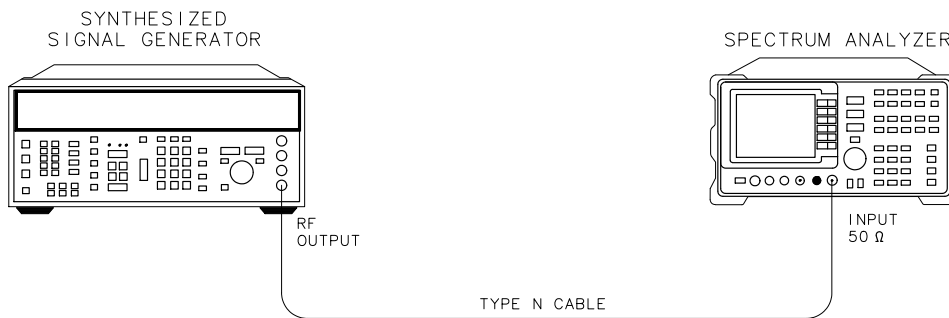
### Related Performance Test

Residual FM

### Test Description

A clean signal source is connected to the spectrum analyzer, and the analyzer resolution bandwidth is set to 300 Hz. The slope of the signal is measured for use in calculating the residual FM. The source is tuned to the middle of the slope just measured with the analyzer in zero span. The trace is read into the controller and a 10 Hz RES BW is simulated by executing a 50 ms moving average on the trace data. Only 20 ms worth of averaged data is examined to simulate the 20 ms measurement window.

**Figure 1-16** Residual FM Test Setup



dj144e



## Scale Fidelity

### Related Specification

Scale Fidelity

### Related Performance Test

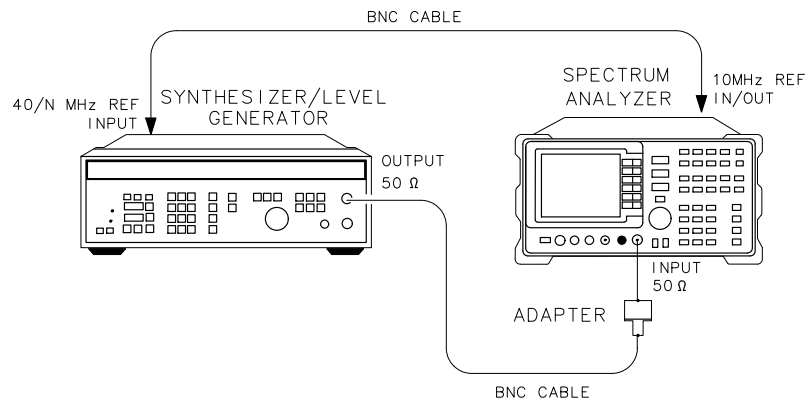
Scale Fidelity

### Test Description

A signal source of known amplitude is connected to the spectrum analyzer and the source amplitude is adjusted for a top-screen reference. The source amplitude is stepped down and the displayed amplitude is measured at each step. The scale fidelity is tested in 2 dB steps in 2 dB/division and linear, and in 10 dB steps in 10 dB/division.

The amplitude variation with respect to the reference is measured and compared to the specification. In log mode, the amplitude difference between adjacent steps is calculated and compared to the specification.

**Figure 1-17** Scale Fidelity Test Setup



dj143e

## Second Harmonic Distortion

### Related Specification

Second Harmonic Distortion

### Related Performance Test

Second Harmonic Distortion

### Test Description

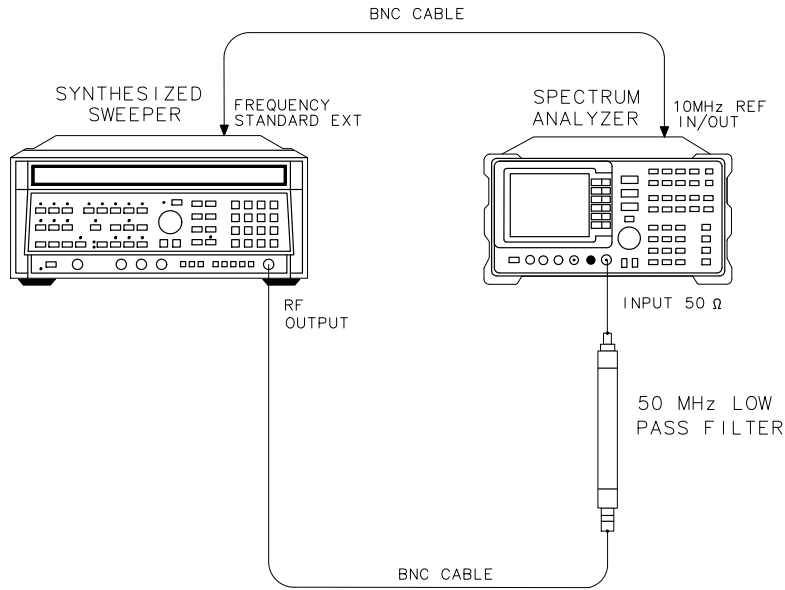
This test consists of two parts: a low-band distortion test and a high-band distortion test. The high-band distortion test is only applicable to the Agilent 8561E/EC, Agilent 8562E/EC, Agilent 8563E/EC, Agilent 8564E/EC, and Agilent 8565E/EC. The low-band distortion test can be performed using either the frequency synthesizer or the synthesized sweeper. The high-band distortion test can only be performed using a synthesized sweeper. After the low-band distortion test has been completed, if a synthesized sweeper is available, the operator may choose whether or not to perform the high-band distortion test.

Before making the second harmonic distortion measurement, the filters are checked for sufficient rejection at the second harmonic. A warning message will be displayed if the filter has insufficient rejection. If the filter is acceptable, the test will proceed. The test is performed at 50 MHz for low band and at 2.95 GHz for high band (these are the fundamental frequencies).

Before checking the second harmonic distortion in high band, a frequency response check is made to reduce the measurement uncertainty due to the spectrum analyzer frequency response. Two filters are necessary for the high-band distortion test to ensure sufficient rejection at the second harmonic.

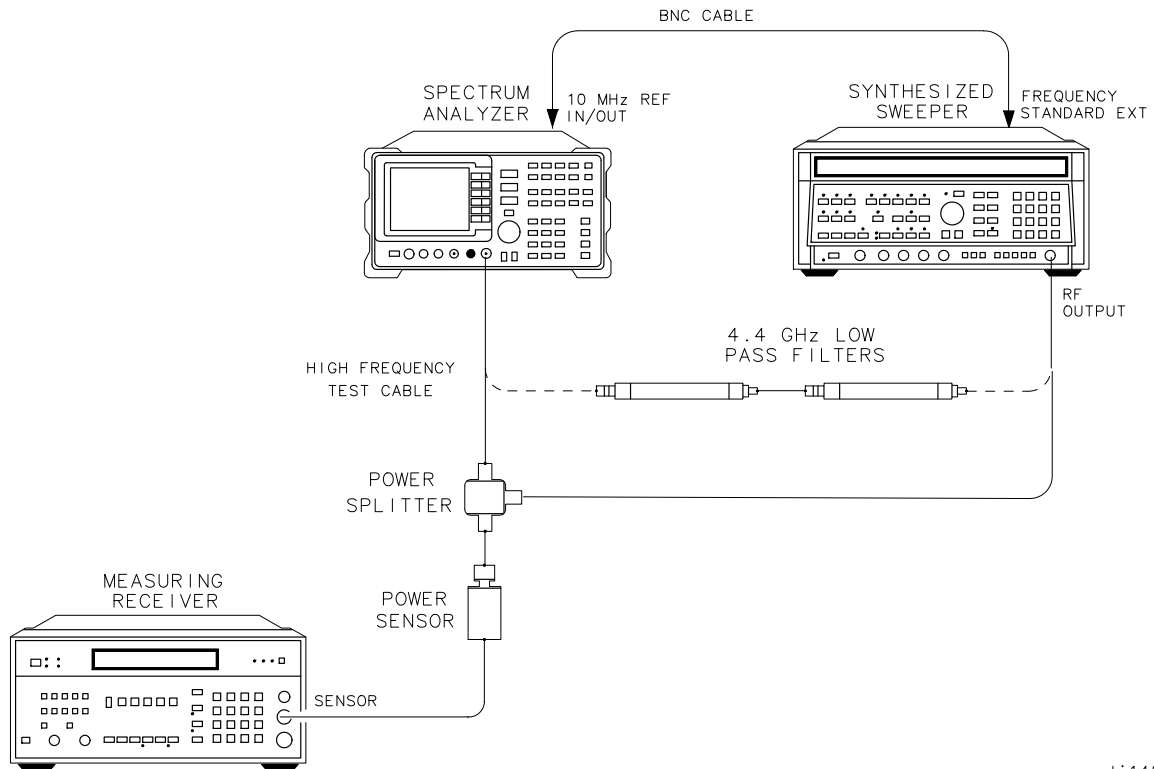
For an Agilent 8561E/EC, Agilent 8562E/EC, Agilent 8563E/EC, Agilent 8564E/EC, or Agilent 8565E/EC a Short Pass occurs if the low-band distortion test is within specification, and the high-band test is not performed. Agilent 8562E/EC, Agilent 8563E/EC, Agilent 8564E/EC, or Agilent 8565E/EC analyzers having software revisions D.00.00 and later will report a short pass even if both the low-band and high-band distortion tests are within specification. These analyzers specify distortion in three frequency ranges, but the software tests only two of these ranges.

**Figure 1-18** Low-Band Second Harmonic Distortion Test Setup



dj147e

**Figure 1-19** High-Band Second Harmonic Distortion Test Setup



dj148e

## Operation Verification Error Messages

Operation Verification displays prompts and error messages on the computer display. Error messages are preceded with **ERROR:**. For more information on prompts, refer to “Program Operation” in this chapter.

The error messages listed below are in three groups: messages beginning with alphabetic characters, those beginning with numeric characters, and others beginning with variables such as filenames or instrument model numbers. If an error message is not found in either of the first two groups, it probably begins with a variable. Refer to the third group that begins with variables. The error message descriptions include recommended corrective action.

### Error Messages Beginning with Alphabetic Characters

#### **Address must be from 0 to 30 inclusive**

GPIB addresses must be in the range from 0 to 30. Press any key and enter new address in this range.

#### **Cal Factor outside of 0 to 150% range entered**

Cal Factor entries must be within this range. Press any key and enter the frequency again. Then enter a Cal Factor in the proper range.

#### **CONDITIONS file from system file location is not compatible! WARNING**

CONDITIONS files from versions prior to C.00.00 did not include an entry for the 8487A power sensor. Similarly, CONDITIONS files from versions prior to D.00.00 did not include an entry for the 5350 Series microwave frequency counter. Default CONDITIONS data will be used. Modify the CONDITIONS data as necessary and press **STORE CONDS**.

**Conditions Menu DUT ID disagrees with responding DUT ID** The model and/or serial number of the spectrum analyzer under test (DUT) listed in the “[Conditions Menu](#),” on [page 23](#), does not agree with that of the DUT which is responding over GPIB. Press any key and follow the instructions in the next three prompts.

**Could not set calibrator signal to –10.00 or –10.17 dBm**

While attempting the noise sidebands test using the CAL OUTPUT signal, the amplitude of the CAL OUTPUT signal could not be set to one of the values indicated. Check the CAL OUTPUT amplitude and the range of the reference level calibration adjustment.

**Counter reads <frequency value> Hz. Check counter setup**

The microwave frequency counter read a frequency far exceeding the specification of the 10 MHz reference. Check the test setup and press any key. The counter will read the frequency once more and assume that the value is correct.

**Data not accepted, check entry format**

The data just entered was not valid. Press any key and try again, checking for the proper entry format.

**DUT doesn't respond at address listed**

Program attempted to address the spectrum analyzer under test at the address listed, but the spectrum analyzer did not respond. Check the GPIB connections and the address listed.

**File <filename> not found**

The filename of the power sensor data file entered could not be found on the currently specified system mass storage file location. Check the filename and the system mass storage file location.

**Insufficient equip. to do test <test number> : <test name>**

The required GPIB-controlled test equipment for the test indicated is not available. Press any key and choose another test.

**Low-pass filter(s) don't have at least <value> dB rejection**

The low-pass filters are checked for rejection at the second harmonic in the Second Harmonic Distortion test. If insufficient rejection is detected, the part of the test using the tested filter cannot be run.

**Maximum cal amplitude <–10 dBm**

Program checked that CAL OUTPUT was connected to INPUT 50  $\Omega$  and found that the REF LVL CAL adjustment could not be set for a marker amplitude of  $\geq -10$  dBm. Check CAL OUTPUT amplitude and REF LVL CAL adjustment range.

**No GPIB address listed for DUT**

Program attempted to address the spectrum analyzer (DUT), but no GPIB address was listed for it. Press any key and enter an address for the spectrum analyzer.

**No more tests may be linked; enter 0 at next prompt**

When entering a sequence of tests, the sequence string (including commas) cannot exceed 78 characters. Press any key and then a 0 at the next prompt. The testing sequence will begin.

**Non-numeric entry other than S entered, or frequency <=0** When entering a frequency of a frequency/Cal-Factor pair to be added, edited, or deleted, the entry must either be a number greater than 0, or S to store the current data.

**No sensor file found for <sensor model> S/N <sensor serial #>**

A power sensor data file for the indicated power sensor could not be found on the currently specified system mass storage file location specifier. Check the sensor model and serial numbers and the system mass storage file location.

**No 8662/63 reference oscillator. Check INT-EXT switches**

No 10 MHz reference oscillator for the 8662A/63A was detected. Check the INTernal/EXTernal frequency reference switches on its rear panel. The 8662A/63A should be using its internal reference oscillator.

**Power meter reads <value> dBm**

The power meter has read a value far exceeding the specification of the CAL OUTPUT amplitude; check that power sensor is connected to CAL OUTPUT and press any key. The power will be read once more and assumed to be valid.

**Printer not available; cannot perform tests**

All test results are sent to the printer. If a printer is not available, tests cannot be performed.

**REF LVL CAL adjustment range <5 dB**

In checking that the CAL OUTPUT was connected to INPUT 50  $\Omega$ , the REF LVL CAL adjustment was found to have insufficient range. Check REF LVL CAL range manually.

**Select code <value> does not currently support GPIB operations**

The address just entered specified a select code which is not a GPIB interface. Check the address entered and the select code of the appropriate interface.

**Sensor serial number must be from 1 to 99999**

The power sensor serial number entered was not in the range indicated. Enter the serial number correctly.

**System mass storage file location catalog cannot be read** Program attempted to read the catalog of the system mass storage file location. Check the msus of the system mass storage file location.

**Test number must be between 0 and 17**

Valid test numbers are in the range 0 and 17 for entering a sequence. Entering a 0 will terminate sequence entry and begin testing sequence. Press any key and enter a valid test number at the next prompt.

**This program does not support the current DUT**

The operation verification software supports only the 8560 E-Series and EC-Series. Refer to the Spectrum Analyzers section in Getting Started.

**Unable to load CONDITIONS file from listed system file location**

Program attempted to load the CONDITIONS file from the listed system mass storage file location. Check the msus of the System mass storage file location and the presence of the CONDITIONS file.

**Unable to load data from <sensor filename>**

Program found power sensor data file, but could not read the data from the file. Use the Sensor Utilities to delete the file and enter new data.

**Unable to obtain catalog from <system mass storage file location>**

The system could not verify that the system mass storage file location entered was available. Check the msus of the system mass storage file location.

**Unable to reach power level of <value> dBm**

Program was unable to set the source amplitude for a desired power meter reading. Check the test setup.

**WARNING: CONDITIONS file from system file location is not compatible!**

CONDITIONS files from versions prior to C.00.00 did not include an entry for the 8487A power sensor. Similarly, CONDITIONS files from versions prior to D.00.00 did not include an entry for the 5350 Series microwave frequency counter. Default CONDITIONS data will be used. Modify the CONDITIONS data as necessary and press **STORE CONDS**.

**Error Messages Beginning with Numeric Characters**

**8481A Sensor cal data minimum frequency not <= 50 MHz** Program requires the 8481A power sensor to have a Cal Factor at or below 50 MHz. Use Sensor Utilities to add a Cal Factor at or below 50 MHz.

**8481A Sensor cal data maximum frequency not >= 300 MHz** Program requires the 8481A power sensor to have a Cal Factor at or

above 300 MHz. Use Sensor Utilities to add a Cal Factor at or above 300 MHz.

**8482A Sensor cal data minimum frequency not  $\leq$  50 MHz** Program requires the 8482A power sensor to have a Cal Factor at or below 50 MHz. Use Sensor Utilities to add a Cal Factor at or below 50 MHz.

**8482A Sensor cal data maximum frequency not  $\geq$  300 MHz** Program requires the 8482A power sensor to have a Cal Factor at or above 300 MHz. Use Sensor Utilities to add a Cal Factor at or above 300 MHz.

**8485A Sensor cal data minimum frequency not = 50 MHz** Program requires the 8485A power sensor to have a Cal Factor at 50 MHz. Use Sensor Utilities to add a Cal Factor at 50 MHz.

**8485A Sensor cal data maximum frequency not  $\geq$  26.5 GHz** Program requires the 8485A power sensor to have a Cal Factor at or above 26.5 GHz. Use Sensor Utilities to add a Cal Factor at or above 26.5 GHz.

**8487A Sensor cal data minimum frequency not = 50 MHz** Program requires the 8487A power sensor to have a Cal Factor at 50 MHz. Use Sensor Utilities to add a Cal Factor at 50 MHz.

**8487A Sensor cal data maximum frequency not  $\geq$  50 GHz** Program requires the 8487A power sensor to have a Cal Factor at or above 50 GHz. Use Sensor Utilities to add a Cal Factor at or above 50 GHz.

**8662/63 Error # <error number>**

The 8662A/63A generated the error listed. Consult the 8662A or 8663A manual.

**8662/63 Frequency reference out of tolerance**

The 8662A/63A frequency reference is out of tolerance. Consult the 8662A or 8663A manual.

**8662/63 Malfunction. Origin unknown**

The 8662A/63A has detected a malfunction. Consult the 8662A or 8663A manual.

**8662/63 Oven not yet warmed up**

The 8662A/63A 10 MHz oven oscillator is cold. Allow the oven to warm up.

**8662/63 Should be on INTernal reference**

The 8662A/63A is in EXTERNAL frequency reference mode. Set the 8662A/63A to INTERNAL frequency reference.



## Error Messages Beginning with Variables

### **<filename> file not found**

The file indicated could not be found at the listed system mass storage file location. Check the filename and the system mass storage file location.

### **<keyboard entry> is a non-numeric entry**

The program expected a numeric entry but did not receive one. Enter a numeric entry.

### **<number of instruments> instruments have GPIB addresses of <GPIB address>**

The indicated number of instruments have all been set to the same GPIB address. Review the addresses and eliminate the duplication.

**<power meter model number> doesn't read signal to be in  $-1 \pm 5$  dBm range**

The power meter (or measuring receiver) does not read a power level within the range indicated. Check for loose connections.

**<source model number> signal not in  $+5 \pm 5$  dBm range**

The source indicated was set for +5 dBm output, but the spectrum analyzer measured the amplitude to be outside the  $\pm 5$  dB range. Check test setup.

**<source model number> signal not in  $-1 \pm 5$  dBm range**

The source indicated was set for +5 dBm output and the source output is fed through a power splitter to the spectrum analyzer under test. The spectrum analyzer should measure the amplitude to be within 5 dB of  $-1$  dBm (6 dB loss through power splitter). Check test setup.

**<source model number> +10 dBm signal not in  $+10 \pm 8$  dBm range**

The source indicated was set for a +10 dBm output and the source output is fed through a low-pass filter(s) to the spectrum analyzer under test. The spectrum analyzer should measure the amplitude to be within 8 dB of +10 dBm (the filters have some insertion loss). Check test setup.

**<source model number> has a cold oven**

The 10 MHz reference oven oscillator has not warmed up yet. Allow the oven to warm up.

**<source model number> is unlevelled**

The source indicated has been programmed for an amplitude which results in an unlevelled condition. Check the test setup for loose connections.



## Specifications and Characteristics

The following tables list the spectrum analyzer specifications. Unless stated otherwise, all specifications describe the analyzer warranted performance under the following conditions:

- Five-minute warmup in ambient conditions
- Auto-coupled controls
- Digital trace display
- IF ADJ ON
- REF LVL CAL adjusted
- 1ST LO OUTPUT terminated in 50 ohms
- 2ND IF OUTPUT (Option 001 analyzers) terminated in 50 ohms
- Two-year calibration cycle
- Environmental requirements met

---

### NOTE

REF LVL CAL uses the CAL OUTPUT signal to calibrate the reference level. Internal temperature changes determine how often this adjustment should be performed. Amplitude temperature drift is a nominal 1 dB/10 °C. The nominal temperature variation within the instrument is 10 °C, most of which occurs during the first 30 minutes after power-on. Internal temperature equilibrium is reached after 2 hours of operation at a stable ambient temperature.

---

Characteristics provide useful information in the form of typical, nominal, or approximate values for analyzer performance. Tables of spectrum analyzer characteristics follow the specifications.

---

## Calibration Cycle

The performance tests in Chapter 2 should be used to check the analyzer against its specifications every two years. Specifications are listed in this chapter.

The frequency reference must be adjusted and checked at the same time. Refer to the “10 MHz Frequency Reference Adjustment” in the *8560E and 8560EC Spectrum Analyzer Service Guide*.

## Frequency Specifications

<b>Frequency Range</b>				
Internal Mixing				
AC Coupled		100 kHz to 2.9 GHz		
DC Coupled		30 Hz to 2.9 GHz		
External Mixing		18 GHz to 325 GHz		
<i>Non-Option 002 and Non-Option 327</i>				
External Mixing Bands				
	<b>Frequency Band</b>	<b>Frequency Range</b>	<b>Harmonic Mixing Mode (N*)</b>	
			<b>Preselected</b>	<b>Unpreselected</b>
	K	18.0 to 26.5	n/a	6–
	A	26.5 to 40.0	8+	8–
	Q	33.0 to 50.0	10+	10–
	U	40.0 to 60.0	10+	10–
	V	50.0 to 75.0	14+	14–
	E	60.0 to 90.0	n/a	16–
	W	75.0 to 110.0	18+	18–
	F	90.0 to 140.0	n/a	24–
	D	110.0 to 170.0	n/a	30–
	G	140.0 to 220.0	n/a	36–
	Y	170.0 to 260.0	n/a	44–
	J	220.0 to 325.0	n/a	54–
<p>* N is the harmonic mixing mode. For negative mixing modes (as indicated by the “–”), the desired 1st LO harmonic is higher than the tuned frequency by the 1st IF (3.9107 GHz for the 30 Hz to 2.9 GHz band, 310.7 MHz for all other bands). For positive mixing modes, the desired 1st LO harmonic is lower than the tuned frequency by 310.7 MHz.</p>				

<b>Frequency Readout Accuracy</b>	
Accuracy of START, CENTER, STOP or MARKER frequency	
SPAN > 2 MHz × N*	$< \pm(\text{frequency readout} \times \text{frequency reference accuracy}^{\dagger} + 5\% \text{ of frequency span} + 15\% \text{ of resolution bandwidth} + 10 \text{ Hz})$

8560E/EC Specifications and Characteristics  
**Frequency Specifications**

SPAN $\leq 2 \text{ MHz} \times N^*$	$<\pm(\text{frequency readout} \times \text{frequency reference accuracy}^\dagger + 1\% \text{ of frequency span} + 15\% \text{ of resolution bandwidth} + 10 \text{ Hz})$
<p>* N is the harmonic mixing mode.</p> <p><math>^\dagger</math> frequency reference accuracy = (aging <math>\times</math> period of time since adjustment) + initial achievable accuracy + temperature stability.</p>	

<b>Frequency Count Marker</b>	
Frequency Count Marker Resolution	Selectable from 1 Hz to 1 MHz
Frequency Count Marker Accuracy (for signal-to-noise ratio $\geq 25 \text{ dB}$ )	$<\pm(\text{marker frequency} \times \text{frequency reference accuracy}^\ddagger + 2 \text{ Hz} \times N^\dagger + 1 \text{ LSD})$
Delta Frequency Count Accuracy (for signal-to-noise ratio $\geq 25 \text{ dB}$ )	$<\pm(\text{delta frequency} \times \text{frequency reference accuracy}^\ddagger + 4 \text{ Hz} \times N^\dagger + 2 \text{ LSD})$
<p><math>^\dagger</math> N is the harmonic mixing mode.</p> <p><math>^\ddagger</math> Frequency Reference Accuracy = (aging <math>\times</math> period of time since adjustment + initial achievable accuracy + temperature stability).</p>	

<b>Frequency Reference Accuracy</b>	
<i>Non-Option 103</i>	
Aging	$<\pm 0.5 \times 10^{-9}/\text{day}$ (after 7 day warmup)
	$<\pm 1 \times 10^{-7}/\text{year}$
Temperature Stability	$<\pm 1 \times 10^{-8}$ , $-10 \text{ }^\circ\text{C}$ to $+55 \text{ }^\circ\text{C}$ , referenced to $25 \text{ }^\circ\text{C}$
<i>Option 103</i>	
Aging	$<\pm 2 \times 10^{-6}/\text{year}$
Settability	$<\pm 1 \times 10^{-6}$
Temperature Stability	$<\pm 1 \times 10^{-6}$ , $-10 \text{ }^\circ\text{C}$ to $+55 \text{ }^\circ\text{C}$ , referenced to $25 \text{ }^\circ\text{C}$

<b>Stability</b>		
Residual FM (zero span, 10 Hz RES BW)		
<i>Non-Option 103</i>		
< 1.0 Hz × N* peak-to-peak in 20 ms <sup>†</sup>		
<i>Option 103</i>		
< 10 Hz × N* peak-to-peak in 20 ms		
Noise Sidebands		
For Frequencies ≤ 1 GHz		
(Refer to the characteristics section for frequencies > 2.9 GHz)		
<b>Offset</b>	<b>Non-Option 103</b>	<b>Option 103</b>
100 Hz		
serial number prefix <3424A	<−80 dBc/Hz <sup>‡</sup>	<−70 dBc/Hz <sup>‡</sup>
serial number prefix ≥3424A	<−88 dBc/Hz <sup>‡</sup>	<−70 dBc/Hz <sup>‡</sup>
1 kHz	<−97 dBc/Hz <sup>‡</sup>	<−90 dBc/Hz <sup>‡</sup>
10 kHz <sup>††</sup>	<−113 dBc/Hz <sup>§</sup>	<−113 dBc/Hz <sup>§</sup>
30 kHz <sup>††</sup>	<−113 dBc/Hz <sup>#</sup>	<−113 dBc/Hz <sup>#</sup>
100 kHz <sup>‡‡</sup>		
serial number prefix <3424A	<−113 dBc/Hz <sup>§</sup>	<−113 dBc/Hz <sup>§</sup>
serial number prefix ≥3424A	<−117 dBc/Hz <sup>**</sup>	<−117 dBc/Hz <sup>**</sup>

\* N is the harmonic mixing mode.

<sup>†</sup> See Resolution Bandwidth Usability in “Frequency Characteristics” for further information.

<sup>‡</sup> Add 5.2 dB × (f/1 GHz) − 1) for f > 1 GHz and f ≤ 2.9 GHz.

<sup>§</sup> Add 2.5 dB × (f/1 GHz) − 1) for f > 1 GHz and f ≤ 2.9 GHz.

<sup>#</sup> Add 3.0 dB × (f/1 GHz) − 1) for f > 1 GHz and f ≤ 2.9 GHz.

<sup>\*\*</sup> Add 2.0 dB for frequencies > 1 GHz and ≤ 2.9 GHz

<sup>††</sup> For resolution bandwidth ≤ 1 kHz or frequency span ≤ 745 kHz.

<sup>‡‡</sup> For resolution bandwidth ≥ 3 kHz or frequency span > 745 kHz.

8560E/EC Specifications and Characteristics  
**Frequency Specifications**

<b>Frequency Span</b>	
Range	
Internal Mixing	0 Hz, 100 Hz to 2.9 GHz over the 10-division display horizontal axis, variable in approximately 1% increments, or in a 1, 2, 5 sequence.
External Mixing <sup>†</sup>	Minimum span = 100 Hz × N*
Accuracy	
SPAN > 2 MHz × N*	<±5%
SPAN ≤ 2 MHz × N*	<±1%
* N is the harmonic mixing mode.	
† Resolution bandwidths ≤100 Hz are not available in external mixing. External mixing is not available for Option 002 or Option 327.	



<b>Resolution Bandwidths (–3 dB)</b>	
Range*	
<i>Non-Option 103</i>	1 Hz to 1 MHz (selectable in a 1, 3, 10 sequence) and 2 MHz (3 MHz at –6 dB)
<i>Option 103</i>	10 Hz to 1 MHz (selectable in a 1, 3, 10 sequence) and 2 MHz (3 MHz at –6 dB)
Accuracy	
1 Hz to 300 kHz RES BW	<±10%
1 MHz RES BW	<±25%
2 MHz RES BW	<+50%, –25%
Selectivity (60 dB/3 dB bandwidth ratio)	
RES BW ≥300 Hz	<15:1
RES BW ≤100 Hz	<5:1
Bandwidth Shape	
1 and 2 MHz RES BW	Approximately Gaussian
300 Hz to 300 kHz RES BW	Synchronously tuned, 4-pole filters
1 Hz to 100 Hz RES BW	Digital, approximately Gaussian
* Resolution bandwidths ≤100 Hz are not available in external mixing.	

<b>Video Bandwidth</b>	
(Post-detection low-pass filter averages displayed noise for a smooth trace.)*	
Range	1 Hz to 3 MHz <sup>†</sup> in a 1, 3, 10 sequence
* Video bandwidth filtering is not available in resolution bandwidths ≤ 100 Hz when SPAN 0 Hz with firmware revisions 930809 and earlier.	
<sup>†</sup> The video bandwidth upper limit is 450 kHz in sample detection mode.	

## Sweep

<b>Sweep Time</b>	
Range	
Span = 0	
<i>Non-Option 007 (E-Series)</i>	
Analog display	50 $\mu$ s to <30 ms
Digital display	30 ms to 6,000 s*
<i>Option 007 E-Series and all EC-Series instruments</i>	
Digital display	50 $\mu$ s to 6,000 s
Span $\geq$ 100 Hz	
RES BW $\geq$ 300 Hz	50 ms to 2,000 s <sup>†</sup>
RES BW $\leq$ 100 Hz	50 ms to 100,000 s (span-dependent)
Accuracy (Span = 0 Hz)	
<i>Non-Option 007 (E-Series)</i>	
Sweep time 30 ms to 6,000 s*	< $\pm$ 1%
Sweep time <30 ms	< $\pm$ 10%
<i>Option 007 E-Series and all EC-Series instruments</i>	
Sweep time 30 ms to 6,000 s*	< $\pm$ 1%
Sweep time <30 ms	< $\pm$ 0.1%
Sweep Trigger	Delayed, Free Run, Single, Line, External, or Video <sup>#</sup>
* 30 ms to 100 s for analyzers with serial prefix <3310A.	
<sup>†</sup> 50 ms to 100 s for analyzers with serial prefix <3424A.	
<sup>#</sup> Video trigger is not available in RES BW settings $\leq$ 100 Hz.	

<b>Delayed Sweep</b>	
Trigger Modes	Free Run, Line, External, Video*
Range	
Span = 0	
<i>Non-Option 007</i> (E-Series)	+2 $\mu$ s to +65.535 ms
<i>Option 007</i> E-Series and all EC-Series instruments	
Sweep time $\geq$ 30 ms	+2 $\mu$ s to +65.535 ms
Sweep time < 30 ms	-9.9 ms to +65.535 ms <sup>††</sup>
Span $\geq$ 100 Hz	+2 $\mu$ s to +65.535 ms
Resolution	1 $\mu$ s
Accuracy <sup>#</sup>	
Serial prefix 3310A and above	$\pm 1 \mu$ s
Serial prefix <3310A	
20 °C to 30 °C	$\pm(1 \mu\text{s} + (0.05\% \times \text{DELAY SWEEP setting}))$
-10 °C to +55 °C	$\pm(1 \mu\text{s} + (0.12\% \times \text{DELAY SWEEP setting}))$
* Video trigger is not available in RES BW settings $\leq$ 100 Hz.	
<sup>††</sup> Negative delayed sweep (pre-trigger) is also limited to $50 \times$ sweep time.	
<sup>#</sup> In E-Series instruments without Option 007, the delay time will be subject to up to $\pm 0.5 \mu$ s of jitter due to synchronization of the input edge trigger to the internal 1 MHz timebase. In E-series instruments with Option 007 and in EC-instruments using sweeptimes <30 ms, the delay time will experience up to $\pm 83$ ns of jitter due to synchronization of the input edge trigger to the internal 12 MHz timebase.	

**Time-Gated Spectrum Analysis**

<b>Gate Delay*</b>	<b>Edge Mode</b>	<b>Level Mode</b>
Range	3 $\mu$ s to 65.535 ms	$\leq 0.5 \mu$ s
Resolution	1 $\mu$ s	
Accuracy <sup>†</sup>		
Serial prefix 3310A and above	$< \pm 1 \mu$ s	
Serial prefix <3310A		
20 °C to 30 °C	$\pm (1 \mu\text{s} + (0.05\% \times \text{GATE DELAY setting}))$	
-10 °C to 55 °C	$\pm (1 \mu\text{s} + (0.12\% \times \text{GATE DELAY setting}))$	
* Time from GATE TRIGGER INPUT to positive edge of GATE OUTPUT.		
<sup>†</sup> The gate delay time will experience up to $\pm 0.5 \mu$ s of jitter due to synchronization of the input edge trigger to the internal 1 MHz timebase.		

<b>Gate Length*</b>	
Range	1 $\mu$ s to 65.535 ms
Resolution	1 $\mu$ s
Accuracy	
Serial prefix 3310A and above	$< \pm 1 \mu$ s
Serial prefix <3310A	
20 °C to 30 °C	$\pm (0.2 \mu\text{s} + (0.05\% \times \text{GATE LENGTH setting}))$
-10 °C to 55 °C	$\pm (0.2 \mu\text{s} + (0.12\% \times \text{GATE LENGTH setting}))$
* Time from positive edge to negative edge of GATE OUTPUT.	

<b>Marker Frequency Resolution</b>	SPAN/600 to a minimum of 1 Hz
------------------------------------	-------------------------------

<b>Marker Time Resolution</b>	Sweep time/600
-------------------------------	----------------

## Amplitude Specifications

### Measurement Range

<b>Maximum Safe Input Power</b>	
Average Continuous Power (input attenuation $\geq 10$ dB)	+30 dBm (1 W)
Peak Pulse Power (input attenuation $\geq 30$ dB)	+50 dBm (100 W) for pulse widths $\leq 10$ $\mu$ s and <1% duty cycle.
DC Voltage	
AC Coupled	< $\pm 50$ V
DC Coupled	< $\pm 0.2$ V
<b>Gain Compression</b>	
10 MHz to 2.9 GHz ( $\leq -5$ dBm at input mixer <sup>‡</sup> )	<1.0 dB
<sup>‡</sup> Mixer level = input level – input attenuation.	

8560E/EC Specifications and Characteristics  
**Amplitude Specifications**

<b>Displayed Average Noise Level</b>		
With no signal at input, 1 Hz video bandwidth, and 0 dB input attenuation, tracking generator off.		
<b>Frequency Range</b>	<b>10 Hz RES BW</b>	<b>1 Hz RES BW</b>
	<i>(Option 103)</i>	<i>(Non-Option 103)</i>
30 Hz	<-80 dBm	<-90 dBm
100 Hz	<-80 dBm	<-90 dBm
1 kHz	<-95 dBm	<-105 dBm
10 kHz	<-110 dBm	<-120 dBm
100 kHz	<-110 dBm	<-120 dBm
1 MHz to 10 MHz	<-130 dBm	<-140 dBm
10 MHz to 2.9 GHz		
serial number prefix <3632A	<-135 dBm	<-145 dBm
serial number prefix ≥3632A	<-141 dBm	<-151 dBm
Option H13	<-141 dBm	<-151 dBm

<b>Spurious Responses</b>	<b>Mixer Level*</b>	<b>Distortion</b>
All input-related spurious responses, except as noted below. 10 MHz to 2.9 GHz	-40 dBm	<-75 dBc
<b>Second Harmonic Distortion</b> (-40 dBm mixer level*) Applied Signal Frequency Range		
1 MHz to 1.45 GHz (serial number prefix <3632A)	-40 dBm	<-72 dBc
20 MHz to 1.45 GHz (serial number prefix ≥3632A)	-40 dBm	<-79 dBc
20 MHz to 1.45 GHz (Option H13)	-40 dBm	<-79 dBc
<b>Third Order Intermodulation Distortion</b> (with two signals at input mixer, spaced ≥1 kHz apart) Frequency Range		
1 MHz to 2.9 GHz (serial number prefix <3632A)	-30 dBm each	<-78 dBc
20 MHz to 2.9 GHz (serial number prefix ≥3632A)	-30 dBm each	<-82 dBc
20 MHz to 2.9 GHz (Option H13)	-30 dBm each	<-82 dBc
<b>Image and Multiple Responses</b> Frequency Range		
10 MHz to 2.9 GHz	-10 dBm	<-80 dBc
<b>Out of Range Responses</b> (for input signals 2.9 GHz to 12 GHz) Frequency Range		
10 MHz to 2.9 GHz	-10 dBm	<-80 dBc
* Mixer Level = input level – input attenuation		

<b>Residual Responses</b>	
>200 kHz with no signal at input, 0 dB input attenuation, N <sup>†</sup> 1	<-90 dBm
† N harmonic mixing number	

## Display Range

<b>Amplitude Scale</b>	10 vertical display divisions, with the reference level (0 dB) at the top graticule line.
------------------------	---

<b>Calibration</b>	
LOG	<p>10 dB/DIV for 100 dB display from reference level.*</p> <p>5 dB/DIV for 50 dB display expanded from reference level.†</p> <p>2 dB/DIV for 20 dB display expanded from reference level.</p> <p>1 dB/DIV for 10 dB display expanded from reference level.†</p>
LINEAR	<p>10% of reference level per division over the top nine divisions          (all 10 divisions for RES BW ≤100 Hz) when calibrated in voltage.</p>

\* 10 dB/DIV for 70 dB display from reference level for RES BW ≤100 Hz when SPAN = 0 Hz.

† In E-Series instruments these scales are not available for sweep times < 30 ms without Option 007.

## Accuracy

<b>Reference Level Range</b>	
LOG, adjustable in 0.1 dB steps	-120 dBm to +30 dBm
LINEAR, settable in 1% steps	2.2 μV to 7.07 V



### Reference Level Uncertainty

<b>Frequency Response</b> (with 10 dB input attenuation)	<b>Typical</b> (20 °C to 30 °C)	
Relative (referenced to midpoint between highest and lowest peak excursions)		
DC Coupled, 30 Hz to 2.9 GHz	$<\pm 1.0$ dB	$<\pm 0.8$ dB
DC Coupled, 100 MHz to 2.9 GHz (serial number prefix $\geq 3632A$ )	$<\pm 0.7$ dB	$<\pm 0.7$ dB
AC Coupled, 100 kHz to 2.9 GHz	$<\pm 1.4$ dB	$<\pm 0.9$ dB
Absolute (referenced to 300 MHz CAL OUTPUT)		
DC Coupled, 30 Hz to 2.9 GHz	$<\pm 1.5$ dB	$<\pm 1.0$ dB
AC Coupled, 100 kHz to 2.9 GHz	$<\pm 1.7$ dB	$<\pm 1.1$ dB

<b>Calibrator Uncertainty</b> -10 dBm, 300 MHz	$<\pm 0.3$ dB
---	---------------

<b>Input Attenuator Switching Uncertainty</b> (20 to 70 dB settings, referenced to 10 dB input attenuation) 30 Hz to 2.9 GHz	$<\pm 0.6$ dB/10 dB step, 1.8 dB max.
--	---------------------------------------

<b>IF Gain Uncertainty</b> (0 dBm to -80 dBm reference levels with 10 dB input attenuation)	$<\pm 1.0$ dB
--	---------------

<b>Resolution Bandwidth Switching Uncertainty</b> (Referenced to 300 kHz resolution bandwidth at the reference level.)*	$<\pm 0.5$ dB
--	---------------

\* Scale fidelity is not the same for RES BW  $\leq 100$  Hz as for RES BW  $\geq 300$  Hz. Therefore, signals not at the reference level will experience an additional amplitude difference when switching between these two sets of RES BW settings, due to differences in scale fidelity.



<p><b>Scale Fidelity*</b></p> <p>LOG</p> <p>Incremental</p> <p>0 to -90 dB range<sup>†</sup></p> <p>RES BW ≥ 300 Hz</p> <p>RES BW ≤ 100 Hz</p> <p>Cumulative</p> <p>0 to -90 dB range<sup>†</sup></p> <p>RES BW ≥ 300 Hz</p> <p>RES BW ≤ 100 Hz</p> <p>0 to -100 dB range<sup>†</sup></p> <p>RES BW ≥ 300 Hz</p> <p>RES BW ≤ 100 Hz</p> <p>LINEAR</p>	<p>&lt;±0.1 dB/dB</p> <p>&lt;±0.2 dB/2 dB</p> <p>&lt;±0.1 dB/dB from the reference level to a maximum of ±0.85 dB</p> <p>&lt;±0.2 dB/2 dB from the reference level to a maximum of ±0.85 dB</p> <p>±2.5 dB <i>characteristic</i></p> <p>maximum of ±1.5 dB</p> <p>&lt;±3% of reference level</p>
<p>* Scale fidelity is not the same for RES BW ≤100 Hz as for RES BW ≥ 300 Hz. Therefore, signals not at the reference level will experience an additional amplitude difference when switching between these two sets of RES BW settings due to the differences in scale fidelity.</p> <p>† 0 to -70 dB range for RES BW ≤100 Hz when SPAN = 0 Hz.</p>	

<p><b>Marker Amplitude Resolution*</b></p> <p>(Sweep time ≥ 30 ms)</p>	
Scale:	
LOG 10 dB/DIV	(1/6) dB
LOG 5 dB/DIV	(1/12) dB
LOG 2 dB/DIV	(1/30) dB
LOG 1 dB/DIV	(1/60) dB
LINEAR	Reference Level/600
<p>* In E-Series instruments markers are not available for sweep times &lt; 30 ms with RES BW ≥ 300 Hz without Option 007. For Option 007, see the characteristics section.</p>	

## Tracking Generator Specifications (Option 002)

<b>Frequency</b>	
Frequency Range	300 kHz to 2.9 GHz
Frequency Readout Accuracy	$\pm(\text{frequency reference accuracy}^* \times \text{frequency} + 5\% \times \text{span} + 295 \text{ Hz})$
Minimum Resolution Bandwidth	300 Hz
* Frequency Reference Accuracy = (aging $\times$ period of time since adjustment + initial achievable accuracy + temperature stability).	

### Amplitude

<b>Output Level Range</b>	
Range	-10 dBm to +1 dBm -10 dBm to +2.8 dBm (typical)
Resolution	0.10 dB
Maximum Leveled Output Power	+1 dBm minimum
Power Sweep Range	10 dB, 0.1 dB resolution

<b>Output Level Accuracy</b>	
Absolute Amplitude Accuracy (0 dBm at 300 MHz, 25 °C $\pm$ 10 °C)	$\pm 0.75 \text{ dB}$
Vernier Accuracy (refer to 0 dBm at 300 MHz, 25 °C $\pm$ 10 °C)	$\pm 0.20 \text{ dB/dB}$ , $\pm 0.5 \text{ dB max.}$
Level Flatness (0 dBm relative to 300 MHz)	$\pm 2.0 \text{ dB}$
Total Absolute Accuracy (25 °C $\pm$ 10 °C)	$\pm 3.25 \text{ dB}$

<b>Spurious Outputs</b> (at +1 dBm output power)	
Harmonic Spurious (300 kHz to 2.9 GHz) <sup>†</sup>	<-25 dBc
Non-Harmonic Spurious	
300 kHz to 2.0 GHz <sup>†</sup>	<-27 dBc
2.0 GHz to 2.9 GHz <sup>†</sup>	<-23 dBc
LO Feedthrough (3.9 GHz to 6.8 GHz)	<-16 dBm
<sup>†</sup> Fundamental Frequency.	

<b>Residuals</b> (RF power off)	
300 kHz to 2.9 GHz	<-78 dBm

<b>Dynamic Range</b>	
TG Feedthrough*	
300 kHz to 1 MHz	<-95 dBm
1 MHz to 2.0 GHz	<-115 dBm
2.0 GHz to 2.9 GHz	<-110 dBm
* Leakage measured with maximum levelled output power into 50 Ω and with 50 Ω on INPUT 50Ω	

<b>Power Sweep</b>	
Range	10 dB
Resolution	0.1 dB

## Inputs and Outputs Specifications

**CAUTION** Any electrostatic discharge according to IEC 801-2/1991 to the center pins of any of the connectors may cause damage to the associated circuitry.

<b>IF INPUT</b> ( <i>Deleted on Option 002 and Option 327</i> )	
Connector	SMA female, front panel
Input level for full-screen deflections (external mixing mode, 0 dBm reference level, 30 dB conversion loss)	-30 dBm ± 1.5 dB

<b>GPIB</b>	
Connector	IEEE-488 bus connector
Interface Functions	SH1, AH1, T6, TE0, L4, LE0, SR1, RL1, PP1, DC1, DT1, C1, C28
Direct Plotter Output	Supports HP 7225A, HP7440A, HP 7470A, HP 7475A, HP 7550A
Direct Printer Output	Supports HP 3630A PaintJet, HP 2225A ThinkJet

<b>CAL OUTPUT</b>	
Connector	BNC female, front panel
Frequency	300 MHz ±(300 MHz × frequency reference accuracy <sup>†</sup> )
Amplitude	-10 dBm ±0.3 dB

<sup>†</sup> Frequency Reference Accuracy = (aging × period of time since adjustment + initial achievable accuracy + temperature stability).

<b>1ST LO OUTPUT</b>	
Connector	SMA female, front panel
Amplitude	
<i>Non-Option 002</i>	+16.5 dBm ±2.0 dB
<i>Option 002</i>	+14.5 dBm ±3.0 dB

<b>10 MHz REF IN/OUT</b>	
Connector	BNC female, rear panel
Output Frequency	10 MHz ±(10 MHz × frequency reference accuracy <sup>†</sup> )

<sup>†</sup> Frequency Reference Accuracy = (aging × period of time since adjustment + initial achievable accuracy + temperature stability).

## General Specifications

<b>Environmental Specifications</b>	
<i>Military Specification per MIL-T-28800, Type III, Class 3, Style B (EC)/Style C (E), as follows:</i>	
Calibration Interval	2 years
Warmup	5 minutes from ambient conditions*
Temperature	
Operating	-10 °C to +55 °C (E) / 0 °C to +55 °C (EC)
Non-operating	-51 °C to +71 °C
Humidity	95% at 40 °C for 5 days
Altitude	
Operating	15,000 feet
Non-operating	50,000 feet
Rain resistance	Drip-proof at 16 liters/hour/square foot
Vibration	
5 to 15 Hz	0.060 inch peak-to-peak excursion
16 to 25 Hz	0.040 inch peak-to-peak excursion
26 to 55 Hz	0.020 inch peak-to-peak excursion
Pulse Shock	
Half Sine	30 g for 11 ms duration
Transit Drop	8 inch drop on 6 faces and 8 corners
Power Main	Voltage fluctuations within the range specified in the spectrum analyzer "Power Requirements."
Power Main	Operating environment within the limits of installation category II according to IEC 1010.
Pollution	Operating environment within the limits of pollution degree 2 according to IEC 664.
* Two hours for conditions of internal condensation, 30 minutes to meet frequency response specifications without preselector peaking. When operating outside the 20 °C to 30 °C ambient temperature range, preselector peaking is always required to meet frequency response specifications.	

8560E/EC Specifications and Characteristics  
**General Specifications**

<b>Electromagnetic Compatibility</b>	Conducted and radiated interference is in compliance with CISPR, Publication 11 (1990).
Military Specification	Meets the requirements of MIL-STD-461C, Part 2, with the exceptions shown below:
Conducted Emissions	
CE01 (Narrowband)	1 kHz to 15 kHz only
CE03 (Narrowband)	Full limits
CE03 (Broadband)	20 dB relaxation from 15 kHz to 100 kHz
Conducted Susceptibility	
CS01	Full Limits
CS02	Full Limits with 40 dB relaxation at IF frequencies. Refer also to “Radiated Immunity” in Amplitude Characteristics.
CS06	Full Limits
Radiated Emissions	
RE01	Test probe at 15 cm, front and rear panel search excluded.
RE02	Full limits to 1 GHz
Radiated Susceptibility	
RS03	Limited to 3 V/m from 14 kHz to 1 GHz with 40 dB relaxation at IF frequencies. Refer also to “Radiated Immunity” in Amplitude Characteristics.



<b>Power Requirements</b>	
115 Vac Operation	
Voltage	90 V to 140 V rms
Current	3.2 A rms maximum
Frequency	47 Hz to 440 Hz
230 Vac Operation	
Voltage	180 V to 250 V rms
Current	1.8 A rms maximum
Frequency	47 Hz to 66 Hz
Maximum Power Dissipation	180 W
<b>Audible Noise</b>	<5.0 Bels, 20 °C to 30 °C (ISO DP7779)
<b>Weight</b>	20 kg (44 lb)

8560E/EC Specifications and Characteristics  
General Specifications

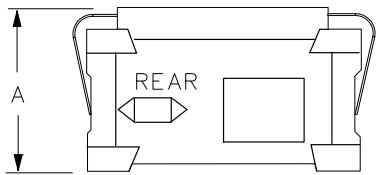
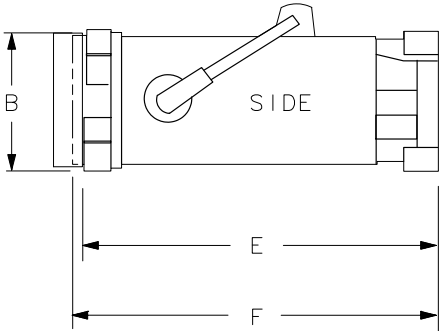
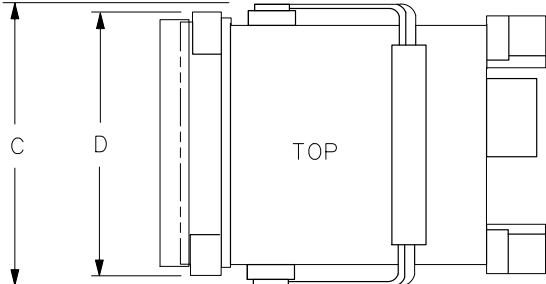
**Dimensions**

With Handle and Front Cover:

- (A) 202 mm (7-15/16 in) high
- (C) 366 mm (14-7/16 in) wide
- (F) 503 mm (19-13/16 in) deep

Without Handle and Front Cover:

- (B) 187 mm (7-3/8 in) high
- (D) 337 mm (13-1/4 in) wide
- (E) 461 mm (18-1/8 in) deep



FORMAT 1

## Frequency Characteristics

These are not specifications. Characteristics provide useful information about instrument performance.

<b>Frequency Reference Accuracy</b>	
<i>Non-Option 103</i>	
Initial Achievable Accuracy  (includes gravitational sensitivity, retrace, and settability)	$<\pm 2.2 \times 10^{-8}$
Daily Aging (average over 7 days after being powered on for 7 days)	$<\pm 5 \times 10^{-10}$
Warmup  (Internal frequency reference selected)	
After 5 minutes	$<\pm 1 \times 10^{-7}$ of final frequency* (0 °C to +55 °C) $<\pm 1 \times 10^{-6}$ of final frequency* (-10 °C)
After 15 minutes	$<\pm 1 \times 10^{-8}$ of final frequency* (-10 °C to +55 °C)
<i>Option 103</i>	
Initial Achievable Accuracy	$<\pm 1 \times 10^{-6}$
* Final frequency is defined as frequency 60 minutes after power-on with analyzer set to internal frequency reference.	

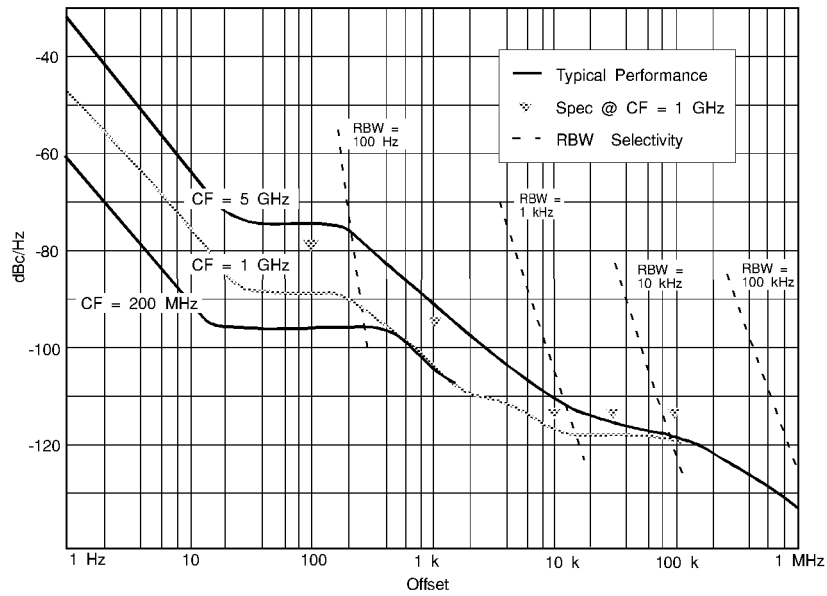
<b>Bandwidth Selectivity</b>	
RES BW $\leq$ 100 Hz	<4.5:1
RES BW = 1 MHz	<8:1
RES BW = 2 MHz	<5.5:1

8560E/EC Specifications and Characteristics  
**Frequency Characteristics**

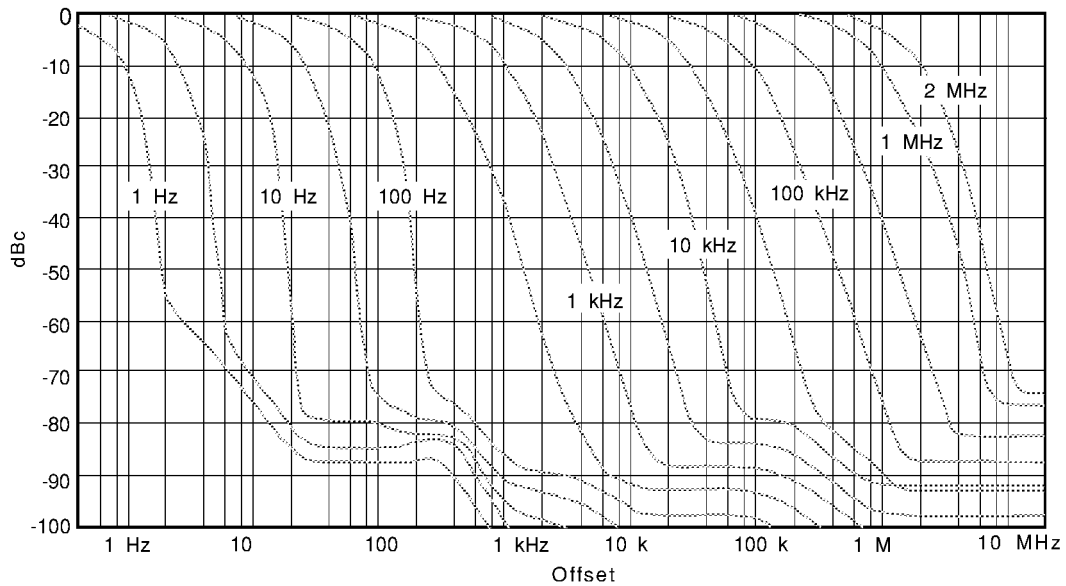
<b>Impulse Bandwidth</b>	
RES BW 2 MHz	2.93 MHz $\pm$ 10%
RES BW 1 MHz	1.60 MHz $\pm$ 7%
RES BW 300 kHz	491 kHz $\pm$ 7%
300 Hz $\leq$ RES BW $\leq$ 100 kHz	1.62 $\times$ RES BW $\pm$ 10%

<b>Stability</b>	
Noise Sidebands	
For frequencies $\leq$ 1 GHz, 100 kHz offset from carrier, and frequency span > 2 MHz	$\leq$ 121 dBc/Hz

**Figure 2-1** Noise Sidebands Normalized to 1 Hz BW versus Offset from Carrier



**Figure 2-2** Typical On-Screen Dynamic Range vs. Offset from 1 GHz Center Freq. for all RBW's



**Sweep**

<b>Sweep Time Accuracy</b> Span $\geq 100$ Hz	$< \pm 15\%$
--	--------------

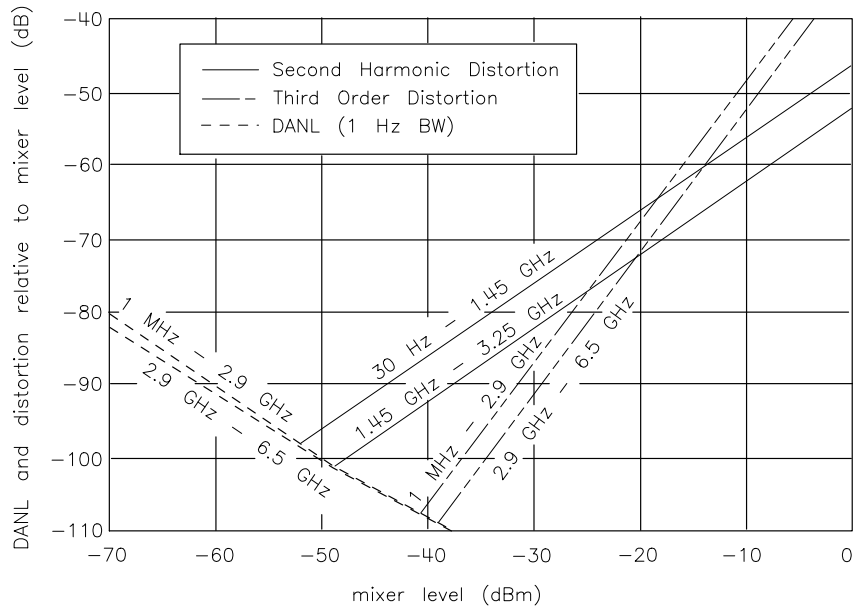
<b>Resolution Bandwidth Usability* (Non-Option 103)</b>			
<b>RES BW</b>	<b>Maximum Usable Frequency</b>		
	<b>Video Average OFF</b>	<b>Video Average ON, 10 Video Averages</b>	
		<b>Source/Spectrum Analyzer Frequency References</b>	
		<b>Locked<sup>†</sup></b>	<b>Independent<sup>‡</sup></b>
$\geq 30$ Hz	$> 2.9$ GHz	$> 2.9$ GHz	$> 2.9$ GHz
10 Hz	$> 2.9$ GHz	$> 2.9$ GHz	$> 2.9$ GHz
3 Hz	$> 2.9$ GHz	$> 2.9$ GHz	2 GHz
1 Hz	$> 2.9$ GHz	$> 2.9$ GHz	200 MHz
<p>* Resolution Bandwidth Usability is the maximum usable frequency for a given resolution bandwidth. The maximum usable frequency is limited by signal instability resulting from spectrum analyzer residual FM during the measurement interval. Measurements at frequencies less than the maximum usable frequency will have a typical amplitude uncertainty of less than 1 dB. These characteristics apply after a 30 minute warmup.</p> <p><sup>†</sup> Source and spectrum analyzer share the same frequency reference.</p> <p><sup>‡</sup> Source and spectrum analyzer do not share the same frequency reference.</p>			

## Amplitude Characteristics

### Dynamic Range

**Figure 2-3**

#### Nominal Dynamic Range



dj139e

### Amplitude Measurement Range

<b>Spurious Responses</b> (all input related spurious responses <1 kHz from the carrier)	<b>Frequency Range</b> 10 MHz to 2.9 GHz	<b>Distortion</b> <-55 dBc
---	---	-------------------------------

### Amplitude Accuracy

<b>Input Attenuator Repeatability</b>	<±0.2 dB
---------------------------------------	----------

<b>Pulse Digitization Uncertainty</b> (Pulse response mode, PRF >720/sweep time) Standard Deviation	<0.2 dB
---	---------

<b>Marker Amplitude Resolution</b>	
(EC-Series instruments and E-Series instruments with Option 007, sweep time < 30 ms, zero span)	
Scale:	
LOG 10 dB/DIV	≤ (1/2) dB
LOG 5 dB/DIV	≤ (1/4) dB
LOG 2 dB/DIV	≤ (1/10) dB
LOG 1 dB/DIV	≤ (1/20) dB
LINEAR	≤ Reference Level/200

### **Demodulation**

<b>Spectrum Demodulation</b>	
Modulation Type	AM and FM (5 kHz peak deviation)
Audio Output	Internal speaker and phone jack with volume control.
Pause Time at Marker Frequency	100 ms to 60 s

### **Radiated Immunity**

<b>Radiated Immunity</b>
When tested at 3 V/m according to IEC 801-3/1984 the displayed average noise level will be within specifications over the full immunity test frequency range of 27 to 500 MHz except that at the immunity test frequency of 310.7 MHz ± selected resolution bandwidth the displayed average noise level may be up to -80 dBm. When the analyzer tuned frequency is identical to the immunity test signal frequency there may be signals of up to -90 dBm displayed on the screen.



---

## Option 002 Tracking Generator Characteristics

<b>Tracking Drift</b>	Usable in a 1 kHz RES BW after 5 minutes with SRC PWR set to ON*. Usable in a 300 Hz RES BW after 30 minutes with SRC PWR set to ON*.
* Setting the LINE switch ON does not automatically set SRC PWR to ON.	

<b>Effective Source Match</b>	<1.92:1
-------------------------------	---------

<b>Dynamic Range</b>	
300 kHz to 1 MHz	96 dB
1 MHz to 2.0 GHz	116 dB
2.0 GHz to 2.9 GHz	111 dB

## Inputs and Outputs Characteristics

**CAUTION** Any electrostatic discharge according to IEC 801-2/1991 to the center pins of any of the connectors may cause damage to the associated circuitry.

<b>INPUT 50Ω</b>	
Connector	Precision Type N female, front panel
Impedance	50 Ω
VSWR (at tuned frequency)	
≥10 dB Input Attenuation	<1.5:1
0 dB Input Attenuation	<3.0:1
LO Emission Level* (average)	
10 dB Input Attenuation	<-70 dBm
* Level of 1st LO, 3.0 to 6.8 GHz, present at INPUT 50Ω connector.	

<b>IF INPUT</b> <i>(Deleted on Option 002 and Option 327)</i>	
(2nd IF input for use with external mixers)	
Connector	SMA female, front panel
Impedance (dc coupled)	50 Ω
Frequency	310.7 MHz
Noise Figure	7 dB
1 dB Gain Compression Level	-23 dBm
Full Screen Level	-30 dBm
(Gain Compression and Full Screen Levels apply with 30 dB conversion loss setting and 0 dBm reference level.)	

<b>1ST LO OUTPUT</b>	
Connector	SMA female, front panel
Impedance	50 Ω
Frequency Range	3.0000 GHz to 6.8107 GHz <sup>†</sup>
<sup>†</sup> 3.8107 GHz to 6.8107 GHz for analyzers equipped with Option 002.	

<b>CAL OUTPUT</b>	
Connector	BNC female, front panel
Impedance	50 $\Omega$

<b>10 MHz REF IN/OUT</b>	
Connector	BNC female, rear panel
Impedance	50 $\Omega$
Output Amplitude	0 dBm
Input Frequency	10 MHz $\times (1 \pm 2 \times 10^{-5})$
Input Amplitude	-2 to +10 dBm
External Reference Phase Noise	
Analyzer noise sideband performance will not be degraded if the external reference phase noise is within the limits given below.	
<i>Non-Option 103</i>	<-135 dBc/Hz at 100 Hz offset
<i>Option 103</i>	<-110 dBc/Hz at 100 Hz offset

<b>VIDEO OUTPUT*</b> ( <i>Deleted on Option 327</i> )	
Connector	BNC female, rear panel
Impedance (dc coupled)	50 $\Omega$
Amplitude (RES BW $\geq$ 300 Hz)	0 to +1 V full scale
Scaling	
RES BW $\geq$ 300 Hz	linear or log 100 dB/V
RES BW $\leq$ 100 Hz	4.8 kHz, auto-ranged level with dc offset

\* The VIDEO OUTPUT is a video signal for RES BW  $\geq$ 300 Hz with switching transients and IF ADJ signals between sweeps. For RES BW  $\leq$ 100 Hz the output is an IF signal with transients and IF ADJ signals between and during sweeps.

8560E/EC Specifications and Characteristics  
**Inputs and Outputs Characteristics**

<p><b>LO SWP FAV OUTPUT and LO SWP 0.5 V/GHz OUTPUT*</b></p> <p>Connector</p> <p>Impedance (dc coupled)</p> <p>LO SWP OUTPUT (no load)</p> <p>0.5 V/GHz OUTPUT</p> <p style="padding-left: 20px;">Internal Mixer Mode</p> <p style="padding-left: 20px;">External Mixer Mode</p> <p>0.25 V/GHz OUTPUT<sup>†</sup></p>	<p>BNC female, rear panel</p> <p>120 Ω</p> <p>0 to + 10 V</p> <p>0.5 V/GHz of tuned frequency (no load)</p> <p><math>[(1.5 \text{ V/GHz}) \times \text{LO frequency}] - 0.2054 \text{ V} \pm 50 \text{ mV}</math></p> <p>0.25 V/GHz of tuned frequency (no load)</p>
---	---

\* This connector is labeled LO SWP | 0.5 V/GHz OUTPUT on older spectrum analyzers and LO SWP | FAV OUTPUT on newer spectrum analyzers.

<sup>†</sup> The 0.25 V/GHz output is available only in the 8564E and 8565E.

<p><b>BLKG/GATE OUTPUT</b></p> <p>Connector</p> <p>Impedance</p> <p>Blanking Mode</p> <p style="padding-left: 20px;">Amplitude during sweep</p> <p style="padding-left: 20px;">Amplitude during retrace</p> <p>Gate Mode</p> <p style="padding-left: 20px;">Gate On</p> <p style="padding-left: 20px;">Gate Off</p>	<p>BNC female, rear panel</p> <p>50 Ω</p> <p>Low TTL Level</p> <p>High TTL Level</p> <p>High TTL level</p> <p>Low TTL level</p>
---	---

<p><b>EXT/GATE TRIG INPUT</b></p> <p>Connector</p> <p>Impedance</p> <p>Trigger Level</p>	<p>BNC female, rear panel</p> <p>10 kΩ</p> <p>Settable to high TTL, or low TTL, or edge triggered TTL</p>
--	---

<p><b>PROBE POWER</b> (front panel)</p> <p>Voltage</p> <p>Current</p>	<p>+15 V dc, -12.6 V dc</p> <p>150 mA maximum, each</p>
---	---

<b>EARPHONE</b>	
Connector	1/8 inch miniature monophonic jack, rear panel
Power Output	0.2 W into 4 $\Omega$

<b>2ND IF OUT</b>	
<i>(Option 001 instruments only)</i>	
Connector	SMA female, rear panel
Impedance	50 $\Omega$
Frequency	310.7 MHz
<b>Serial Number Prefix</b>	<b>3 dB BW</b> <b>Noise Figure</b> <b>Conversion Gain</b>
<3632A	>28 MHz      25 dB      -15 dB
$\geq$ 3632A	>28 MHz      20 dB      - 8 dB


<b>RF OUTPUT 50<math>\Omega</math></b>	
<i>(Option 002 analyzers only)</i>	
Connector	Type N female
Impedance	50 $\Omega$
Maximum Safe Reverse Level	+30 dBm, 30 Vdc
Output VSWR (0 dB attenuation)	1.92:1

<b>EXT ALC INPUT</b>	
<i>(Option 002 analyzers only)</i>	
Connector	BNC female
Impedance	>10 k $\Omega$
Polarity	Use with negative detector


<b>ALT SWEEP OUT</b>	
<i>(Option 005 analyzers only)</i>	
Connector	BNC female, rear panel
Impedance	100 $\Omega$

## Regulatory Information

The following information applies to the 8560EC spectrum analyzer.

<b>DECLARATION OF CONFORMITY</b>	
According to ISO/IEC Guide 22 and CEN/CENELEC EN 45014	
<b>Manufacturer's Name:</b>	Agilent Technologies, Inc.
<b>Manufacturer's Address:</b>	1400 Fountaingrove Parkway Santa Rosa, CA 95403-1799 USA
Declares that the products	
<b>Product Name:</b>	Spectrum Analyzer
<b>Model Number:</b>	8560EC, 8561EC, 8562EC, 8563EC, 8564EC, 8565EC
<b>Product Options:</b>	This declaration covers all options of the above products.
Conform to the following product specifications:	
EMC: IEC 61326-1:1997+A1:1998 / EN 61326-1:1997+A1:1998	
<u>Standard</u>	<u>Limit</u>
CISPR 11:1990 / EN 55011-1991	Group 1, Class A
IEC 61000-4-2:1995+A1998 / EN 61000-4-2:1995	4 kV CD, 8 kV AD
IEC 61000-4-3:1995 / EN 61000-4-3:1995	3 V/m, 80 - 1000 MHz
IEC 61000-4-4:1995 / EN 61000-4-4:1995	0.5 kV sig., 1 kV power
IEC 61000-4-5:1995 / EN 61000-4-5:1996	0.5 kV L-L, 1 kV L-G
IEC 61000-4-6:1996 / EN 61000-4-6:1998	3 V, 0.15 - 80 MHz
IEC 61000-4-11:1994 / EN 61000-4-11:1998	1 cycle, 100%
Safety: IEC 61010-1:1990 + A1:1992 + A2:1995 / EN 61010-1:1993 +A2:1995 CAN/CSA-C22.2 No. 1010.1-92	
<b>Supplementary Information:</b> The products herewith comply with the requirements of the Low Voltage Directive 73/23/EEC and the EMC Directive 89/336/EEC and carry the CE-marking accordingly.	
Santa Rosa, CA, USA	18 Jan. 2000
	 Greg Pfeiffer/Quality Engineering Manager
For further information, please contact your local Agilent Technologies sales office, agent or distributor.	

The following information applies to the 8560E spectrum analyzer.

<b>DECLARATION OF CONFORMITY</b>	
According to ISO/IEC Guide 22 and CEN/CENELEC EN 45014	
<b>Manufacturer's Name:</b>	Agilent Technologies, Inc.
<b>Manufacturer's Address:</b>	1400 Fountaingrove Parkway Santa Rosa, CA 95403-1799 USA
Declares that the products	
<b>Product Name:</b>	Spectrum Analyzer
<b>Model Number:</b>	8560E, 8560EL, 8561E, 8562E, 8562EL, 8563E, 8564E, 8565E
<b>Product Options:</b>	This declaration covers all options of the above products.
Conform to the following product specifications:	
<u>Standard</u>	<u>Limit</u>
EMC: CISPR 11:1990 / EN 55011-1991	Group 1, Class A
IEC 801-2:1984/EN 50082-1:1992	4 kV CD, 8 kV AD
IEC 801-3:1984/EN 50082-1:1992	3 V/m, 80 - 1000 MHz
IEC 801-4:1988/EN 50082-1:1992	0.5 kV sig., 1 kV power
Safety: IEC 61010-1:1990 + A1:1992 + A2:1995 / EN 61010-1:1993 +A2:1995 CAN/CSA-C22.2 No. 1010.1-92	
<b>Supplementary Information:</b> The products herewith comply with the requirements of the Low Voltage Directive 73/23/EEC and the EMC Directive 89/336/EEC and carry the CE-marking accordingly.	
	
Santa Rosa, CA, USA    1 Nov. 2000	Greg Pfeiffer/Quality Engineering Manager
For further information, please contact your local Agilent Technologies sales office, agent or distributor.	

### **Notice for Germany: Noise Declaration**

LpA < 70 dB am Arbeitsplatz (operator position) normaler Betrieb (normal position) nach DIN 45635 T. 19 (per ISO 7779)

### **CE: European Community**

The product design was approved for the European Community.

### **ISM1-A: Industrial Scientific and Medical Group 1, Class A**

The instrument meets the requirements of CISPER 11, Clause 4.

### **CSA: Canadian Standards Association**

The CSA mark is a registered trademark of the Canadian Standards Association. The product meets the requirements.

### **IEC: International Electrotechnical Commission**

This instrument has been designed and tested in accordance with IEC Publication 1010, Safety Requirements for Electronic Measuring Apparatus, and has been supplied in a safe condition. The instruction documentation contains information and warnings which must be followed by the user to ensure safe operation and to maintain the instrument in a safe condition.

This product conforms to Enclosure Protection IP 2 0 according to IEC-529. The enclosure protects against finger access to hazardous parts within the enclosure; the enclosure does not protect against the entrance of water.





## Specifications and Characteristics

The following tables list the spectrum analyzer specifications. Unless stated otherwise, all specifications describe the analyzer warranted performance under the following conditions:

- Five-minute warmup in ambient conditions
- Auto-coupled controls
- Preselector peaked at the signal of interest
- Digital trace display
- IF ADJ ON
- REF LVL CAL adjusted
- 1ST LO OUTPUT terminated in 50 ohms
- 2ND IF OUTPUT (Option 001 analyzers) terminated in 50 ohms
- Two-year calibration cycle
- Environmental requirements met

After a 30-minute warmup at ambient temperature range of 20 °C to 30 °C, the preselector does not have to be peaked at each signal of interest. Factory preselector-peak values are sufficient to meet all specifications.

---

**NOTE**

REF LVL CAL uses the CAL OUTPUT signal to calibrate the reference level. Internal temperature changes determine how often this adjustment should be performed. Amplitude temperature drift is a nominal 1 dB/10 °C. The nominal temperature variation within the instrument is 10 °C, most of which occurs during the first 30 minutes after power-on. Internal temperature equilibrium is reached after 2 hours of operation at a stable ambient temperature.

---

Characteristics provide useful information in the form of typical, nominal, or approximate values for analyzer performance. Tables of spectrum analyzer characteristics follow the specifications.

## **Calibration Cycle**

The performance tests in Chapter 2 should be used to check the analyzer against its specifications every two years. Specifications are listed in this chapter.

The frequency reference must be adjusted as well as checked at the same time. Refer to the “10 MHz Frequency Reference Adjustment” in the *8561E/EC and 8563E/EC Spectrum Analyzers Service Guide*.

## Frequency Specifications

<b>Frequency Range</b>			
Internal Mixing			
AC Coupled	100 kHz to 6.5 GHz		
DC Coupled	30 Hz to 6.5 GHz		
Internal Mixing Bands			
	<b>Frequency Range</b>	<b>Harmonic Mixing Mode N*</b>	
Band 0	30 Hz to 2.9 GHz	1–	
Band 1	2.75 GHz to 6.5 GHz	1–	
External Mixing			
External Mixing Bands			
	<b>Frequency Range</b>	<b>Harmonic Mixing Mode (N*)</b>	
		<b>Preselected</b>	<b>Unpreselected</b>
K	18.0 to 26.5	n/a	6–
A	26.5 to 40.0	8+	8–
Q	33.0 to 50.0	10+	10–
U	40.0 to 60.0	10+	10–
V	50.0 to 75.0	14+	14–
E	60.0 to 90.0	n/a	16–
W	75.0 to 110.0	18+	18–
F	90.0 to 140.0	n/a	24–
D	110.0 to 170.0	n/a	30–
G	140.0 to 220.0	n/a	36–
Y	170.0 to 260.0	n/a	44–
J	220.0 to 325.0	n/a	54–
<p>* N is the harmonic mixing mode. For negative mixing modes (as indicated by the “–”), the desired 1st LO harmonic is higher than the tuned frequency by the 1st IF (3.9107 GHz for the 30 Hz to 2.9 GHz band, 310.7 MHz for all other bands). For positive mixing modes, the desired 1st LO harmonic is lower than the tuned frequency by 310.7 MHz.</p>			

<p><b>Frequency Readout Accuracy</b></p> <p>Accuracy of START, CENTER, STOP or MARKER frequency</p> <p>SPAN &gt; 2 MHz × N*</p> <p>SPAN ≤ 2 MHz × N*</p>	<p>&lt;±(frequency readout × frequency reference accuracy<sup>†</sup> + 5% of frequency span + 15% of resolution bandwidth + 10 Hz)</p> <p>&lt;±(frequency readout × frequency reference accuracy<sup>†</sup> + 1% of frequency span + 15% of resolution bandwidth + 10 Hz)</p>
<p>* N is the harmonic mixing mode.</p> <p>† frequency reference accuracy = (aging × period of time since adjustment) + initial achievable accuracy + temperature stability.</p>	

<p><b>Frequency Count Marker</b></p> <p>Frequency Count Marker Resolution</p> <p>Frequency Count Marker Accuracy (for signal-to-noise ratio ≥25 dB)</p> <p>Delta Frequency Count Accuracy (for signal-to-noise ratio ≥25 dB)</p>	<p>Selectable from 1 Hz to 1 MHz</p> <p>&lt;±(marker frequency × frequency reference accuracy<sup>‡</sup> + 2 Hz × N<sup>†</sup> + 1 LSD)</p> <p>&lt;±(delta frequency × frequency reference accuracy<sup>‡</sup> + 4 Hz × N<sup>†</sup> + 2 LSD)</p>
<p>† N is the harmonic mixing mode.</p> <p>‡ Frequency Reference Accuracy = (aging × period of time since adjustment + initial achievable accuracy + temperature stability).</p>	

<p><b>Frequency Reference Accuracy</b></p> <p><i>Non-Option 103</i></p> <p>Aging</p> <p>Temperature Stability</p> <p><i>Option 103</i></p> <p>Aging</p> <p>Settability</p> <p>Temperature Stability</p>	<p>&lt;±0.5 × 10<sup>-9</sup>/day (after 7 day warmup)</p> <p>&lt;±1 × 10<sup>-7</sup>/year</p> <p>&lt;±1 × 10<sup>-8</sup>, -10 °C to +55 °C, referenced to 25 °C</p> <p>&lt;±2 × 10<sup>-6</sup>/year</p> <p>&lt;±1 × 10<sup>-6</sup></p> <p>&lt;±1 × 10<sup>-6</sup>, -10 °C to +55 °C, referenced to 25 °C</p>
---	--



<b>Frequency Span</b>	
Range	
Internal Mixing	0 Hz, 100 Hz to 6.5 GHz over the 10-division display horizontal axis, variable in approximately 1% increments, or in a 1, 2, 5 sequence.
External Mixing <sup>†</sup>	Minimum span = 100 Hz × N*
Accuracy	
SPAN > 2 MHz × N*	<±5%
SPAN ≤ 2 MHz × N*	<±1%
* N is the harmonic mixing mode.	
† Resolution bandwidths ≤100 Hz are not available in external mixing. External mixing is not available for Option 002 or Option 327.	

8561E/EC Specifications and Characteristics  
**Frequency Specifications**

<b>Resolution Bandwidths (–3 dB)</b>	
<b>Range*</b>  <i>Non-Option 103</i>   <i>Option 103</i>	1 Hz to 1 MHz (selectable in a 1, 3, 10 sequence) and 2 MHz (3 MHz at –6 dB)   10 Hz to 1 MHz (selectable in a 1, 3, 10 sequence) and 2 MHz (3 MHz at –6 dB)
<b>Accuracy</b>  1 Hz to 300 kHz RES BW  1 MHz RES BW  2 MHz RES BW	<±10%  <±25%  <+50%, –25%
<b>Selectivity (60 dB/3 dB bandwidth ratio)</b>  RES BW ≥300 Hz  RES BW ≤100 Hz	<15:1  <5:1
<b>Bandwidth Shape</b>  1 and 2 MHz RES BW  300 Hz to 300 kHz RES BW  1 Hz to 100 Hz RES BW	Approximately Gaussian  Synchronously tuned, 4-pole filters  Digital, approximately Gaussian
* Resolution bandwidths ≤100 Hz are not available in external mixing.	

<b>Video Bandwidth</b>	
(Post-detection low-pass filter averages displayed noise for a smooth trace.)*  <b>Range</b>	1 Hz to 3 MHz <sup>†</sup> in a 1, 3, 10 sequence
* Video bandwidth filtering is not available in resolution bandwidths ≤ 100 Hz when SPAN 0 Hz with firmware revisions 930809 and earlier.	
† The video bandwidth upper limit is 450 kHz in sample detection mode.	



## Sweep

<b>Sweep Time</b>	
Range	
Span = 0	
<i>Non-Option 007 (E-Series)</i>	
Analog display	50 $\mu$ s to <30 ms
Digital display	30 ms to 6,000 s*
<i>Option 007 E-Series, and all EC-Series instruments</i>	
Digital display	50 $\mu$ s to 6,000 s
Span $\geq$ 100 Hz	
RES BW $\geq$ 300 Hz	50 ms to 2,000 s <sup>†</sup>
RES BW $\leq$ 100 Hz	50 ms to 100,000 s (span-dependent)
Accuracy (Span = 0 Hz)	
<i>Non-Option 007 (E-Series)</i>	
Sweep time 30 ms to 6,000 s*	< $\pm$ 1%
Sweep time <30 ms	< $\pm$ 10%
<i>Option 007 E-Series and all EC-Series instruments</i>	
Sweep time 30 ms to 6,000 s*	< $\pm$ 1%
Sweep time <30 ms	< $\pm$ 0.1%
Sweep Trigger	Delayed, Free Run, Single, Line, External, or Video <sup>#</sup>
* 30 ms to 100 s for analyzers with serial prefix <3310A.	
<sup>†</sup> 50 ms to 100 s for analyzers with serial prefix <3424A.	
<sup>#</sup> Video trigger is not available in RES BW settings $\leq$ 100 Hz.	

8561E/EC Specifications and Characteristics  
**Frequency Specifications**

<p><b>Delayed Sweep</b></p> <p>Trigger Modes</p> <p>Range</p> <p>Span = 0</p> <p><i>Non-Option 007 (E-Series)</i></p> <p><i>Option 007 E-Series and all EC-Series instruments</i></p> <p>Sweep time <math>\geq</math> 30 ms</p> <p>Sweep time <math>&lt;</math> 30 ms</p> <p>Span <math>\geq</math> 100 Hz</p> <p>Resolution</p> <p>Accuracy<sup>#</sup></p> <p>Serial prefix 3310A and above</p> <p>Serial prefix <math>&lt;</math>3310A</p> <p>20 °C to 30 °C</p> <p>-10 °C to +55 °C</p>	<p>Free Run, Line, External, Video*</p> <p>+2 <math>\mu</math>s to +65.535 ms</p> <p>+2 <math>\mu</math>s to +65.535 ms</p> <p>-9.9 ms to +65.535 ms<sup>††</sup></p> <p>+2 <math>\mu</math>s to +65.535 ms</p> <p>1 <math>\mu</math>s</p> <p><math>\pm</math>1 <math>\mu</math>s</p> <p><math>\pm</math>(1 <math>\mu</math>s + (0.05% <math>\times</math> DELAY SWEEP setting))</p> <p><math>\pm</math>(1 <math>\mu</math>s + (0.12% <math>\times</math> DELAY SWEEP setting))</p>
<p>* Video trigger is not available in RES BW settings <math>\leq</math> 100 Hz.</p> <p><sup>††</sup> Negative delayed sweep (pre-trigger) is also limited to 50 <math>\times</math> sweep time.</p> <p><sup>#</sup> In E-Series instruments without Option 007, the delay time will be subject to up to <math>\pm</math>0.5 <math>\mu</math>s of jitter due to synchronization of the input edge trigger to the internal 1 MHz timebase. In E-series instruments with Option 007 and in EC-instruments using sweep times <math>&lt;</math>30 ms, the delay time will experience up to <math>\pm</math>83 ns of jitter due to synchronization of the input edge trigger to the internal 12 MHz timebase.</p>	

### Time-Gated Spectrum Analysis

<b>Gate Delay*</b>	<b>Edge Mode</b>	<b>Level Mode</b>
Range	3 $\mu$ s to 65.535 ms	$\leq 0.5 \mu$ s
Resolution	1 $\mu$ s	
Accuracy <sup>†</sup>		
Serial prefix 3310A and above	$< \pm 1 \mu$ s	
Serial prefix <3310A		
20 °C to 30 °C	$\pm (1 \mu\text{s} + (0.05\% \times \text{GATE DELAY setting}))$	
-10 °C to 55 °C	$\pm (1 \mu\text{s} + (0.12\% \times \text{GATE DELAY setting}))$	

\* Time from GATE TRIGGER INPUT to positive edge of GATE OUTPUT.

<sup>†</sup> The gate delay time will experience up to  $\pm 0.5 \mu$ s of jitter due to synchronization of the input edge trigger to the internal 1 MHz timebase.

<b>Gate Length*</b>	
Range	1 $\mu$ s to 65.535 ms
Resolution	1 $\mu$ s
Accuracy	
Serial prefix 3310A and above	$< \pm 1 \mu$ s
Serial prefix <3310A	
20 °C to 30 °C	$\pm (0.2 \mu\text{s} + (0.05\% \times \text{GATE LENGTH setting}))$
-10 °C to 55 °C	$\pm (0.2 \mu\text{s} + (0.12\% \times \text{GATE LENGTH setting}))$

\* Time from positive edge to negative edge of GATE OUTPUT.

<b>Marker Frequency Resolution</b>	SPAN/600 to a minimum of 1 Hz
------------------------------------	-------------------------------

<b>Marker Time Resolution</b>	Sweep time/600
-------------------------------	----------------

---

## Amplitude Specifications

### Measurement Range

<b>Maximum Safe Input Power</b>	
Average Continuous Power (input attenuation $\geq 10$ dB)	+30 dBm (1 W)
Peak Pulse Power (input attenuation $\geq 30$ dB)	+50 dBm (100 W) for pulse widths $\leq 10$ $\mu$ s and <1% duty cycle.
DC Voltage	
AC Coupled	< $\pm 50$ V
DC Coupled	< $\pm 0.2$ V

<b>Gain Compression</b>	
10 MHz to 2.9 GHz ( $\leq -5$ dBm at input mixer <sup>‡</sup> )	<1.0 dB
2.9 GHz to 6.5 GHz ( $\leq -3$ dBm at input mixer <sup>‡</sup> )	<1.0 dB
<sup>‡</sup> Mixer level = input level – input attenuation.	

<b>Displayed Average Noise Level</b>		
With no signal at input, 1 Hz video bandwidth, and 0 dB input attenuation, tracking generator off.		
<b>Frequency Range</b>	<b>10 Hz RES BW</b> <i>(Option 103)</i>	<b>1 Hz RES BW</b> <i>(Non-Option 103)</i>
30 Hz	<-80 dBm	<-90 dBm
100 Hz	<-80 dBm	<-90 dBm
1 kHz	<-95 dBm	<-105 dBm
10 kHz	<-110 dBm	<-120 dBm
100 kHz	<-110 dBm	<-120 dBm
1 MHz to 10 MHz	<-130 dBm	<-140 dBm
10 MHz to 2.9 GHz	<-135 dBm	<-145 dBm
2.9 GHz to 6.5 GHz	<-135 dBm	<-145 dBm

8561E/EC Specifications and Characteristics  
**Amplitude Specifications**

<b>Spurious Responses</b>	<b>Mixer Level*</b>	<b>Distortion</b>
All input-related spurious responses, except as noted below. 10 MHz to 6.5 GHz	-40 dBm	<-75 dBc
<b>Second Harmonic Distortion</b> (-40 dBm mixer level*) Applied Signal Frequency Range		
1 MHz to 1.45 GHz	-40 dBm	<-72 dBc
1.45 Hz to 3.25 GHz	-20 dBm	<-72 dBc
<b>Third Order Intermodulation Distortion</b> (with two signals at input mixer, spaced $\geq 1$ kHz apart) Frequency Range		
1 MHz to 2.9 GHz	-30 dBm each	<-78 dBc
2.9 GHz to 6.5 GHz	-30 dBm each	<-90 dBc
<b>Image and Multiple Responses</b> Frequency Range		
10 MHz to 6.5 GHz	-10 dBm	<-80 dBc
<b>Out of Range Responses</b> (due to input signals 6.5 GHz to 12.0 GHz) Frequency Range		
10 MHz to 6.5 GHz	-10 dBm	<-80 dBc

\* Mixer Level = input level – input attenuation

<b>Residual Responses</b> >200 kHz with no signal at input, 0 dB input attenuation, $N^{\dagger} - 1$	<-90 dBm
$\dagger$ N harmonic mixing number	

### Display Range

<b>Amplitude Scale</b>	10 vertical display divisions, with the reference level (0 dB) at the top graticule line.
<b>Calibration</b>	
LOG	10 dB/DIV for 100 dB display from reference level.* 5 dB/DIV for 50 dB display expanded from reference level.† 2 dB/DIV for 20 dB display expanded from reference level. 1 dB/DIV for 10 dB display expanded from reference level.†
LINEAR	10% of reference level per division over the top nine divisions (all 10 divisions for RES BW ≤100 Hz) when calibrated in voltage.
* 10 dB/DIV for 70 dB display from reference level for RES BW ≤100 Hz when SPAN = 0 Hz.	
† In E-Series instruments these scales are not available for sweep times < 30 ms without Option 007.	

### Accuracy

<b>Reference Level Range</b>	
LOG, adjustable in 0.1 dB steps	-120 dBm to +30 dBm
LINEAR, settable in 1% steps	2.2 μV to 7.07 V

**Reference Level Uncertainty**

<b>Frequency Response</b> (with 10 dB input attenuation)	<b>Typical</b> (20 °C to 30 °C)	
Relative (referenced to midpoint between highest and lowest peak excursions)		
DC Coupled		
30 Hz to 2.9 GHz	$<\pm 1.0$ dB	$<\pm 0.7$ dB
2.9 GHz to 6.5 GHz	$<\pm 1.5$ dB	$<\pm 1.1$ dB
AC Coupled		
100 kHz to 2.9 GHz	$<\pm 1.1$ dB	$<\pm 0.8$ dB
2.9 GHz to 6.5 GHz	$<\pm 2.0$ dB	$<\pm 1.0$ dB
Absolute (referenced to 300 MHz CAL OUTPUT)		
DC Coupled		
30 Hz to 2.9 GHz	$<\pm 1.75$ dB	$<\pm 1.0$ dB
2.9 GHz to 6.5 GHz	$<\pm 2.5$ dB	$<\pm 1.5$ dB
AC Coupled		
100 kHz to 2.9 GHz	$<\pm 1.9$ dB	$<\pm 1.2$ dB
2.9 GHz to 6.5 GHz	$<\pm 3.0$ dB	$<\pm 1.5$ dB

<b>Calibrator Uncertainty</b> -10 dBm, 300 MHz	$<\pm 0.3$ dB
---	---------------

<b>Input Attenuator Switching Uncertainty</b> (20 to 70 dB settings, referenced to 10 dB input attenuation) 30 Hz to 2.9 GHz	$<\pm 0.6$ dB/10 dB step, 1.8 dB max.
--	---------------------------------------

<b>IF Gain Uncertainty</b> (0 dBm to -80 dBm reference levels with 10 dB input attenuation)	$<\pm 1.0$ dB
--	---------------

<b>Resolution Bandwidth Switching Uncertainty</b> (Referenced to 300 kHz resolution bandwidth at the reference level.)*	$<\pm 0.5$ dB
--	---------------

\* Scale fidelity is not the same for RES BW  $\leq 100$  Hz as for RES BW  $\geq 300$  Hz. Therefore, signals not at the reference level will experience an additional amplitude difference when switching between these two sets of RES BW settings, due to differences in scale fidelity.



<b>Pulse Digitization Uncertainty</b>	
(Pulse response mode, PRF >720/sweep time)	
LOG	
Resolution Bandwidth $\leq$ 1 MHz	<1.25 dB peak-to-peak
Resolution Bandwidth = 2 MHz	<3 dB peak-to-peak
LINEAR	
Resolution Bandwidth $\leq$ 1 MHz	<4% of reference level peak-to-peak
Resolution Bandwidth = 2 MHz	<12% of reference level peak-to-peak

<b>IF Alignment Uncertainty</b>	
(additional uncertainty when using 300 Hz RES BW only)	< $\pm$ 0.5 dB

8561E/EC Specifications and Characteristics  
**Amplitude Specifications**

<p><b>Scale Fidelity*</b></p> <p>LOG</p> <p>Incremental</p> <p>0 to -90 dB range<sup>†</sup></p> <p>RES BW ≥ 300 Hz</p> <p>RES BW ≤ 100 Hz</p> <p>Cumulative</p> <p>0 to -90 dB range<sup>†</sup></p> <p>RES BW ≥ 300 Hz</p> <p>RES BW ≤ 100 Hz</p> <p>0 to -100 dB range<sup>†</sup></p> <p>RES BW ≥ 300 Hz</p> <p>RES BW ≤ 100 Hz</p> <p>LINEAR</p>	<p>&lt;±0.1 dB/dB</p> <p>&lt;±0.2 dB/2 dB</p> <p>&lt;±0.1 dB/dB from the reference level to a maximum of ±0.85 dB</p> <p>&lt;±0.2 dB/2 dB from the reference level to a maximum of ±0.85 dB</p> <p>±2.5 dB <i>characteristic</i></p> <p>maximum of ±1.5 dB</p> <p>&lt;±3% of reference level</p>
<p>* Scale fidelity is not the same for RES BW ≤100 Hz as for RES BW ≥ 300 Hz. Therefore, signals not at the reference level will experience an additional amplitude difference when switching between these two sets of RES BW settings due to the differences in scale fidelity.</p> <p>† 0 to -70 dB range for RES BW ≤100 Hz when SPAN = 0 Hz.</p>	

<p><b>Marker Amplitude Resolution*</b></p> <p>(Sweep time ≥ 30 ms)</p>	
Scale: LOG 10 dB/DIV	(1/6) dB
LOG 5 dB/DIV	(1/12) dB
LOG 2 dB/DIV	(1/30) dB
LOG 1 dB/DIV	(1/60) dB
LINEAR	Reference Level/600
<p>* In E-Series instruments markers are not available for sweep times &lt; 30 ms with RES BW ≥ 300 Hz without Option 007. For Option 007, see the characteristics section.</p>	

## Inputs and Outputs Specifications

**CAUTION** Any electrostatic discharge according to IEC 801-2/1991 to the center pins of any of the connectors may cause damage to the associated circuitry.

<b>IF INPUT</b> ( <i>Deleted on Option 002 and Option 327</i> )	
Connector	SMA female, front panel
Input level for full-screen deflections (external mixing mode, 0 dBm reference level, 30 dB conversion loss)	-30 dBm ± 1.5 dB

<b>GPIB</b>	
Connector	IEEE-488 bus connector
Interface Functions	SH1, AH1, T6, TE0, L4, LE0, SR1, RL1, PP1, DC1, DT1, C1, C28
Direct Plotter Output	Supports Agilent 7225A, Agilent 7440A, Agilent 7470A, Agilent 7475A, Agilent 7550A
Direct Printer Output	Supports HP 3630A PaintJet, HP 2225A ThinkJet

<b>CAL OUTPUT</b>	
Connector	BNC female, front panel
Frequency	300 MHz ±(300 MHz × frequency reference accuracy <sup>†</sup> )
Amplitude	-10 dBm ±0.3 dB
<sup>†</sup> Frequency Reference Accuracy = (aging × period of time since adjustment + initial achievable accuracy + temperature stability).	

<b>1ST LO OUTPUT</b>	
Connector	SMA female, front panel
Amplitude	+16.5 dBm ±2.0 dB

<b>10 MHz REF IN/OUT</b>	
Connector	BNC female, rear panel
Output Frequency	10 MHz ±(10 MHz × frequency reference accuracy <sup>†</sup> )
<sup>†</sup> Frequency Reference Accuracy = (aging × period of time since adjustment + initial achievable accuracy + temperature stability).	

## General Specifications

### Environmental Specifications

*Military Specification per MIL-T-28800, Type III, Class 3, Style B (EC)/Style C (E), as follows:*

Calibration Interval	2 years
Warmup	5 minutes from ambient conditions*
Temperature	
Operating	-10 °C to +55 °C (E) / 0 °C to +55 °C (EC)
Non-operating	-51 °C to +71 °C
Humidity	95% at 40 °C for 5 days
Altitude	
Operating	15,000 feet
Non-operating	50,000 feet
Rain resistance	Drip-proof at 16 liters/hour/square foot
Vibration	
5 to 15 Hz	0.060 inch peak-to-peak excursion
16 to 25 Hz	0.040 inch peak-to-peak excursion
26 to 55 Hz	0.020 inch peak-to-peak excursion
Pulse Shock	
Half Sine	30 g for 11 ms duration
Transit Drop	8 inch drop on 6 faces and 8 corners
Power Main	Voltage fluctuations within the range specified in the spectrum analyzer "Power Requirements."
Power Main	Operating environment within the limits of installation category II according to IEC 1010.
Pollution	Operating environment within the limits of pollution degree 2 according to IEC 664.

\* Two hours for conditions of internal condensation, 30 minutes to meet frequency response specifications without preselector peaking. When operating outside the 20 °C to 30 °C ambient temperature range, preselector peaking is always required to meet frequency response specifications.

<b>Electromagnetic Compatibility</b>	Conducted and radiated interference is in compliance with CISPR, Publication 11 (1990).
Military Specification	Meets the requirements of MIL-STD-461C, Part 2, with the exceptions shown below:
Conducted Emissions	
CE01 (Narrowband)	1 kHz to 15 kHz only
CE03 (Narrowband)	Full limits
CE03 (Broadband)	20 dB relaxation from 15 kHz to 100 kHz
Conducted Susceptibility	
CS01	Full Limits
CS02	Full Limits with 40 dB relaxation at IF frequencies. Refer also to “Radiated Immunity” in Amplitude Characteristics.
CS06	Full Limits
Radiated Emissions	
RE01	Test probe at 15 cm, front and rear panel search excluded.
RE02	Full limits to 1 GHz
Radiated Susceptibility	
RS03	Limited to 3 V/m from 14 kHz to 1 GHz with 40 dB relaxation at IF frequencies. Refer also to “Radiated Immunity” in Amplitude Characteristics.

8561E/EC Specifications and Characteristics  
**General Specifications**

<b>Power Requirements</b>	
115 Vac Operation	
Voltage	90 V to 140 V rms
Current	3.2 A rms maximum
Frequency	47 Hz to 440 Hz
230 Vac Operation	
Voltage	180 V to 250 V rms
Current	1.8 A rms maximum
Frequency	47 Hz to 66 Hz
Maximum Power Dissipation	180 W
<b>Audible Noise</b>	<5.0 Bels, 20 °C to 30 °C (ISO DP7779)
<b>Weight</b>	20 kg (44 lb)

**Dimensions**

With Handle and Front Cover:

(A) 202 mm (7-15/16 in) high

(C) 366 mm (14-7/16 in) wide

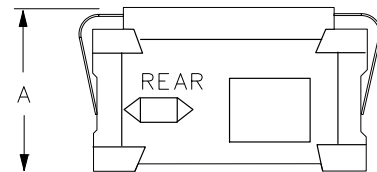
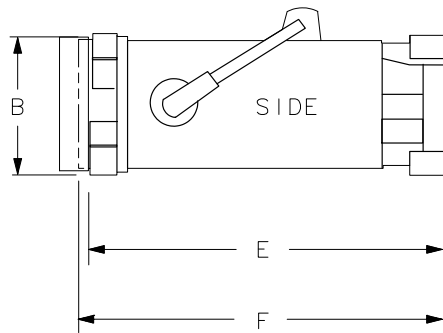
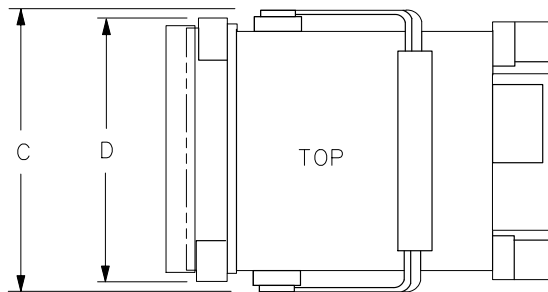
(F) 503 mm (19-13/16 in) deep

Without Handle and Front Cover:

(B) 187 mm (7-3/8 in) high

(D) 337 mm (13-1/4 in) wide

(E) 461 mm (18-1/8 in) deep



FORMAT 1

## Frequency Characteristics

These are not specifications. Characteristics provide useful information about instrument performance.

<b>Frequency Reference Accuracy</b>	
<i>Non-Option 103</i>	
Initial Achievable Accuracy  (includes gravitational sensitivity, retrace, and settability)	$<\pm 2.2 \times 10^{-8}$
Daily Aging (average over 7 days after being powered on for 7 days)	$<\pm 5 \times 10^{-10}$
Warmup  (Internal frequency reference selected)	
After 5 minutes	$<\pm 1 \times 10^{-7}$ of final frequency* (0 °C to +55 °C) $<\pm 1 \times 10^{-6}$ of final frequency* (-10 °C)
After 15 minutes	$<\pm 1 \times 10^{-8}$ of final frequency* (-10 °C to +55 °C)
<i>Option 103</i>	
Initial Achievable Accuracy	$<\pm 1 \times 10^{-6}$
* Final frequency is defined as frequency 60 minutes after power-on with analyzer set to internal frequency reference.	

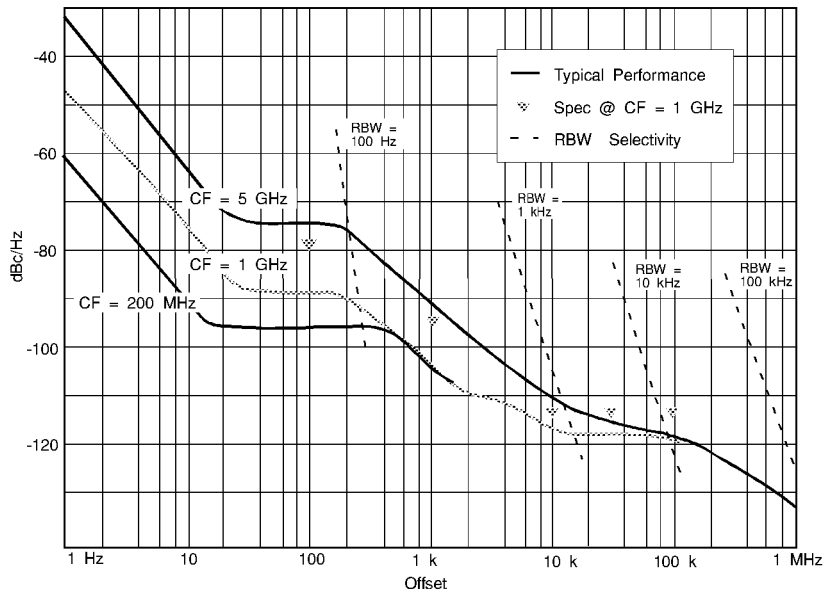
<b>Bandwidth Selectivity</b>	
RES BW $\leq$ 100 Hz	$<4.5:1$
RES BW = 1 MHz	$<8:1$
RES BW = 2 MHz	$<5.5:1$



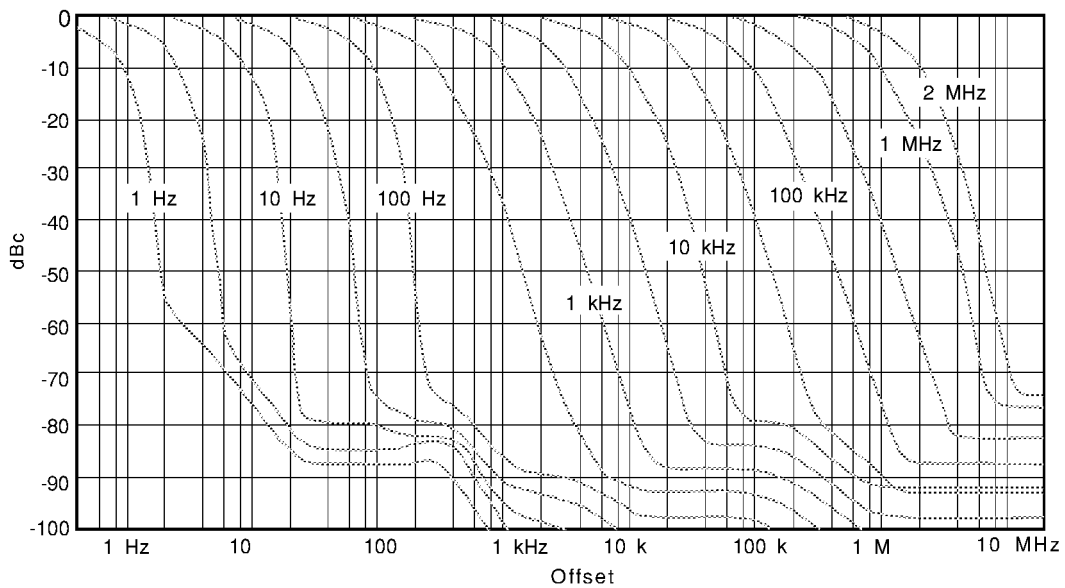
<b>Impulse Bandwidth</b>	
RES BW 2 MHz	2.93 MHz $\pm$ 10%
RES BW 1 MHz	1.60 MHz $\pm$ 7%
RES BW 300 kHz	491 kHz $\pm$ 7%
300 Hz $\leq$ RES BW $\leq$ 100 kHz	$1.62 \times$ RES BW $\pm$ 10%

<b>Stability</b>	
Noise Sidebands For frequencies $\leq$ 1 GHz, 100 kHz offset from carrier, and frequency span $>$ 2 MHz	$\leq$ 121 dBc/Hz

**Figure 3-1** Noise Sidebands Normalized to 1 Hz BW versus Offset from Carrier



**Figure 3-2** Typical On-Screen Dynamic Range vs. Offset from 1 GHz Center Freq. for all RBW's



## Sweep

<b>Sweep Time Accuracy</b> Span $\geq 100$ Hz	$< \pm 15\%$
--	--------------

<b>Resolution Bandwidth Usability* (Non-Option 103)</b>			
<b>RES BW</b>	<b>Maximum Usable Frequency</b>		
	<b>Video Average OFF</b>	<b>Video Average ON, 10 Video Averages</b>	
		<b>Source/Spectrum Analyzer Frequency References</b>	
		<b>Locked<sup>†</sup></b>	<b>Independent<sup>‡</sup></b>
$\geq 30$ Hz	$> 6.5$ GHz	$> 6.5$ GHz	$> 6.5$ GHz
10 Hz	$> 6.5$ GHz	$> 6.5$ GHz	$> 6.5$ GHz
3 Hz	$> 6.5$ GHz	$> 6.5$ GHz	2 GHz
1 Hz	$> 6.5$ GHz	$> 6.5$ GHz	200 MHz

\* Resolution Bandwidth Usability is the maximum usable frequency for a given resolution bandwidth. The maximum usable frequency is limited by signal instability resulting from spectrum analyzer residual FM during the measurement interval. Measurements at frequencies less than the maximum usable frequency will have a typical amplitude uncertainty of less than 1 dB. These characteristics apply after a 30 minute warmup.

<sup>†</sup> Source and spectrum analyzer share the same frequency reference.

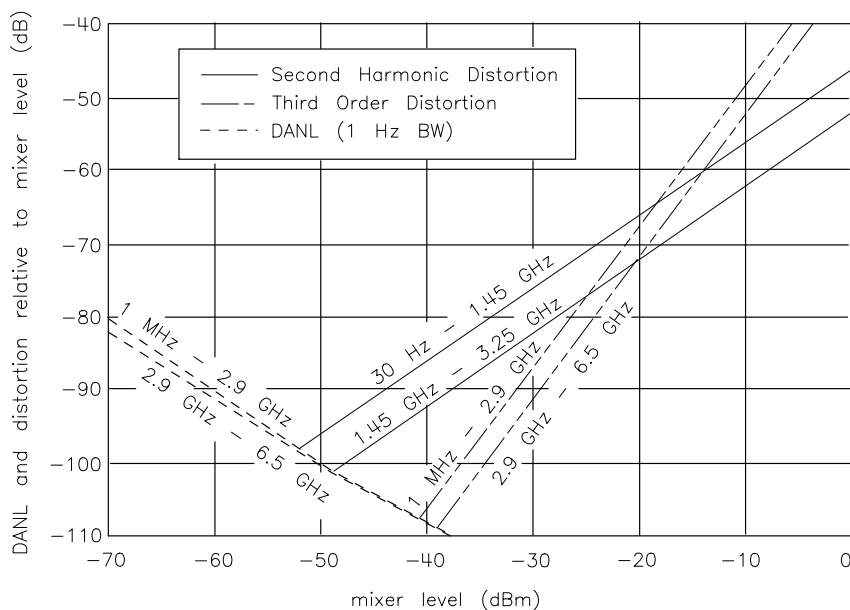
<sup>‡</sup> Source and spectrum analyzer do not share the same frequency reference.

## Amplitude Characteristics

### Dynamic Range

**Figure 3-3**

#### Nominal Dynamic Range



dj139e

### Amplitude Measurement Range

Spurious Responses	Frequency Range	Distortion
(all input related spurious responses <1 kHz from the carrier)	10 MHz to 2.9 GHz	<-55 dBc

### Amplitude Accuracy

Band-to-Band Frequency Response	
(Frequency response uncertainty for measurements between the two internal mixing bands. Equivalent to the sum of the two In-Band Frequency Response values plus Band Switching Uncertainty.)	
dc Coupled	<3.5 dB
ac Coupled	<4.1 dB

Input Attenuator Repeatability	
	<±0.2 dB

<b>Pulse Digitization Uncertainty</b> (Pulse response mode, PRF >720/sweep time) Standard Deviation	<0.2 dB
---	---------

<b>Marker Amplitude Resolution</b> (EC-Series and E-Series with Option 007, sweep time < 30 ms, zero span) Scale:            LOG 10 dB/DIV LOG 5 dB/DIV LOG 2 dB/DIV LOG 1 dB/DIV LINEAR	≤ (1/2) dB ≤ (1/4) dB ≤ (1/10) dB ≤ (1/20) dB ≤ Reference Level/200
--	---

### Demodulation

<b>Spectrum Demodulation</b> Modulation Type Audio Output Pause Time at Marker Frequency	AM and FM (5 kHz peak deviation) Internal speaker and phone jack with volume control. 100 ms to 60 s
---	--

### Radiated Immunity

<b>Radiated Immunity</b> When tested at 3 V/m according to IEC 801-3/1984 the displayed average noise level will be within specifications over the full immunity test frequency range of 27 to 500 MHz except that at the immunity test frequency of 310.7 MHz ± selected resolution bandwidth the displayed average noise level may be up to -80 dBm. When the analyzer tuned frequency is identical to the immunity test signal frequency there may be signals of up to -90 dBm displayed on the screen.
---

## Inputs and Outputs Characteristics

**CAUTION** Any electrostatic discharge according to IEC 801-2/1991 to the center pins of any of the connectors may cause damage to the associated circuitry.

<b>INPUT 50Ω</b>	
Connector	Precision Type N female, front panel
Impedance	50 Ω
VSWR (at tuned frequency)	<1.5:1 for ≥10 dB Input Attenuation <3.0:1 for 0 dB Input Attenuation
LO Emission Level* (average)	
10 dB Input Attenuation	<-80 dBm
* Level of 1st LO, 3.0 to 6.8 GHz, present at INPUT 50Ω connector.	

<b>IF INPUT</b> <i>(Deleted on Option 002 and Option 327)</i>	
(2nd IF input for use with external mixers)	
Connector	SMA female, front panel
Impedance (dc coupled)	50 Ω
Frequency	310.7 MHz
Noise Figure	7 dB
1 dB Gain Compression Level	-23 dBm
Full Screen Level	-30 dBm
(Gain Compression and Full Screen Levels apply with 30 dB conversion loss setting and 0 dBm reference level.)	

<b>1ST LO OUTPUT</b>	
Connector	SMA female, front panel
Impedance	50 Ω
Frequency Range	3.0000 GHz to 6.8107 GHz <sup>†</sup>
<sup>†</sup> 3.8107 GHz to 6.8107 GHz for analyzers equipped with Option 002.	

<b>CAL OUTPUT</b>	
Connector	BNC female, front panel
Impedance	50 $\Omega$

<b>10 MHz REF IN/OUT</b>	
Connector	BNC female, rear panel
Impedance	50 $\Omega$
Output Amplitude	0 dBm
Input Frequency	10 MHz $\times$ (1 $\pm$ 2 $\times$ 10 <sup>-5</sup> )
Input Amplitude	-2 to +10 dBm
External Reference Phase Noise	
Analyzer noise sideband performance will not be degraded if the external reference phase noise is within the limits given below.	
<i>Non-Option 103</i>	<-135 dBc/Hz at 100 Hz offset
<i>Option 103</i>	<-110 dBc/Hz at 100 Hz offset

<b>VIDEO OUTPUT*</b> ( <i>Deleted on Option 327</i> )	
Connector	BNC female, rear panel
Impedance (dc coupled)	50 $\Omega$
Amplitude (RES BW $\geq$ 300 Hz)	0 to +1 V full scale
Scaling	
RES BW $\geq$ 300 Hz	linear or log 100 dB/V
RES BW $\leq$ 100 Hz	4.8 kHz, auto-ranged level with dc offset

\* The VIDEO OUTPUT is a video signal for RES BW  $\geq$ 300 Hz with switching transients and IF ADJ signals between sweeps. For RES BW  $\leq$ 100 Hz the output is an IF signal with transients and IF ADJ signals between and during sweeps.

8561E/EC Specifications and Characteristics  
**Inputs and Outputs Characteristics**

<p><b>LO SWP FAV OUTPUT and LO SWP 0.5 V/GHz OUTPUT*</b></p> <p>Connector</p> <p>Impedance (dc coupled)</p> <p>LO SWP OUTPUT (no load)</p> <p>0.5 V/GHz OUTPUT</p> <p style="padding-left: 20px;">Internal Mixer Mode</p> <p style="padding-left: 20px;">External Mixer Mode</p> <p>0.25 V/GHz OUTPUT<sup>†</sup></p>	<p>BNC female, rear panel</p> <p>120 Ω</p> <p>0 to + 10 V</p> <p>0.5 V/GHz of tuned frequency (no load)</p> <p><math>[(1.5 \text{ V/GHz}) \times \text{LO frequency}] - 0.2054 \text{ V} \pm 50 \text{ mV}</math></p> <p>0.25 V/GHz of tuned frequency (no load)</p>
---	--

\* This connector is labeled LO SWP | 0.5 V/GHz OUTPUT on older spectrum analyzers and LO SWP | FAV OUTPUT on newer spectrum analyzers.

<sup>†</sup> The 0.25 V/GHz output is available only in the 8564E and 8565E.

<p><b>BLKG/GATE OUTPUT</b></p> <p>Connector</p> <p>Impedance</p> <p>Blanking Mode</p> <p style="padding-left: 20px;">Amplitude during sweep</p> <p style="padding-left: 20px;">Amplitude during retrace</p> <p>Gate Mode</p> <p style="padding-left: 20px;">Gate On</p> <p style="padding-left: 20px;">Gate Off</p>	<p>BNC female, rear panel</p> <p>50 Ω</p> <p>Low TTL Level</p> <p>High TTL Level</p> <p>High TTL level</p> <p>Low TTL level</p>
---	---

<p><b>EXT/GATE TRIG INPUT</b></p> <p>Connector</p> <p>Impedance</p> <p>Trigger Level</p>	<p>BNC female, rear panel</p> <p>10 kΩ</p> <p>Settable to high TTL, or low TTL, or edge triggered TTL</p>
--	---


<p><b>PROBE POWER</b> (front panel)</p> <p>Voltage</p> <p>Current</p>	<p>+15 V dc, -12.6 V dc</p> <p>150 mA maximum, each</p>
---	---




<b>EARPHONE</b>	
Connector	1/8 inch miniature monophonic jack, rear panel
Power Output	0.2 W into 4 $\Omega$
<i>(Option 001 instruments only)</i>	
Connector	SMA female, rear panel
Impedance	50 $\Omega$
Frequency	310.7 MHz
<b>Frequency Range</b>	<b>3 dB BW</b> <b>Noise Figure</b> <b>Conversion Gain</b>
30 Hz to 2.9 GHz	>28 MHz      25 dB      -15 dB
2.9 GHz to 6.5 GHz	>28 MHz      20 dB      -8 dB
<b>ALT SWEEP OUT</b>	
<i>(Option 005 analyzers only)</i>	
Connector	BNC female, rear panel
Impedance	100 $\Omega$

## Regulatory Information

The following information applies to 8561EC spectrum analyzers.

<b>DECLARATION OF CONFORMITY</b>	
According to ISO/IEC Guide 22 and CEN/CENELEC EN 45014	
<b>Manufacturer's Name:</b>	Agilent Technologies, Inc.
<b>Manufacturer's Address:</b>	1400 Fountaingrove Parkway Santa Rosa, CA 95403-1799 USA
Declares that the products	
<b>Product Name:</b>	Spectrum Analyzer
<b>Model Number:</b>	8560EC, 8561EC, 8562EC, 8563EC, 8564EC, 8565EC
<b>Product Options:</b>	This declaration covers all options of the above products.
Conform to the following product specifications:	
EMC: IEC 61326-1:1997+A1:1998 / EN 61326-1:1997+A1:1998	
<u>Standard</u>	<u>Limit</u>
CISPR 11:1990 / EN 55011-1991	Group 1, Class A
IEC 61000-4-2:1995+A1998 / EN 61000-4-2:1995	4 kV CD, 8 kV AD
IEC 61000-4-3:1995 / EN 61000-4-3:1995	3 V/m, 80 - 1000 MHz
IEC 61000-4-4:1995 / EN 61000-4-4:1995	0.5 kV sig., 1 kV power
IEC 61000-4-5:1995 / EN 61000-4-5:1996	0.5 kV L-L, 1 kV L-G
IEC 61000-4-6:1996 / EN 61000-4-6:1998	3 V, 0.15 - 80 MHz
IEC 61000-4-11:1994 / EN 61000-4-11:1998	1 cycle, 100%
Safety: IEC 61010-1:1990 + A1:1992 + A2:1995 / EN 61010-1:1993 +A2:1995 CAN/CSA-C22.2 No. 1010.1-92	
<b>Supplementary Information:</b> The products herewith comply with the requirements of the Low Voltage Directive 73/23/EEC and the EMC Directive 89/336/EEC and carry the CE-marking accordingly.	
	
Santa Rosa, CA, USA	18 Jan. 2000
Greg Pfeiffer/Quality Engineering Manager	
For further information, please contact your local Agilent Technologies sales office, agent or distributor.	

The following information applies to the Agilent 8561E spectrum analyzer.

<b>DECLARATION OF CONFORMITY</b> According to ISO/IEC Guide 22 and CEN/CENELEC EN 45014											
<b>Manufacturer's Name:</b>	Agilent Technologies, Inc.										
<b>Manufacturer's Address:</b>	1400 Fountaingrove Parkway Santa Rosa, CA 95403-1799 USA										
Declares that the products											
<b>Product Name:</b>	Spectrum Analyzer										
<b>Model Number:</b>	8560E, 8560EL, 8561E, 8562E, 8562EL, 8563E, 8564E, 8565E										
<b>Product Options:</b>	This declaration covers all options of the above products.										
Conform to the following product specifications:											
	<table><thead><tr><th><u>Standard</u></th><th><u>Limit</u></th></tr></thead><tbody><tr><td>EMC: CISPR 11:1990 / EN 55011-1991</td><td>Group 1, Class A</td></tr><tr><td>IEC 801-2:1984/EN 50082-1:1992</td><td>4 kV CD, 8 kV AD</td></tr><tr><td>IEC 801-3:1984/EN 50082-1:1992</td><td>3 V/m, 80 - 1000 MHz</td></tr><tr><td>IEC 801-4:1988/EN 50082-1:1992</td><td>0.5 kV sig., 1 kV power</td></tr></tbody></table>	<u>Standard</u>	<u>Limit</u>	EMC: CISPR 11:1990 / EN 55011-1991	Group 1, Class A	IEC 801-2:1984/EN 50082-1:1992	4 kV CD, 8 kV AD	IEC 801-3:1984/EN 50082-1:1992	3 V/m, 80 - 1000 MHz	IEC 801-4:1988/EN 50082-1:1992	0.5 kV sig., 1 kV power
<u>Standard</u>	<u>Limit</u>										
EMC: CISPR 11:1990 / EN 55011-1991	Group 1, Class A										
IEC 801-2:1984/EN 50082-1:1992	4 kV CD, 8 kV AD										
IEC 801-3:1984/EN 50082-1:1992	3 V/m, 80 - 1000 MHz										
IEC 801-4:1988/EN 50082-1:1992	0.5 kV sig., 1 kV power										
Safety: IEC 61010-1:1990 + A1:1992 + A2:1995 / EN 61010-1:1993 +A2:1995 CAN/CSA-C22.2 No. 1010.1-92											
<b>Supplementary Information:</b> The products herewith comply with the requirements of the Low Voltage Directive 73/23/EEC and the EMC Directive 89/336/EEC and carry the CE-marking accordingly.											
											
Santa Rosa, CA, USA	1 Nov. 2000										
Greg Pfeiffer/Quality Engineering Manager											
For further information, please contact your local Agilent Technologies sales office, agent or distributor.											

### **Notice for Germany: Noise Declaration**

LpA < 70 dB am Arbeitsplatz (operator position) normaler Betrieb (normal position) nach DIN 45635 T. 19 (per ISO 7779)

### **CE: European Community**

The product design was approved for the European Community.

### **ISM1-A: Industrial Scientific and Medical Group 1, Class A**

The instrument meets the requirements of CISPER 11, Clause 4.

### **CSA: Canadian Standards Association**

The CSA mark is a registered trademark of the Canadian Standards Association. The product meets the requirements.

### **IEC: International Electrotechnical Commission**

This instrument has been designed and tested in accordance with IEC Publication 1010, Safety Requirements for Electronic Measuring Apparatus, and has been supplied in a safe condition. The instruction documentation contains information and warnings which must be followed by the user to ensure safe operation and to maintain the instrument in a safe condition.

This product conforms to Enclosure Protection IP 2 0 according to IEC-529. The enclosure protects against finger access to hazardous parts within the enclosure; the enclosure does not protect against the entrance of water.



## Specifications and Characteristics

The following tables list the spectrum analyzer specifications. Unless stated otherwise, all specifications describe the analyzer warranted performance under the following conditions:

- Five-minute warmup for ambient conditions
- Autocoupled controls
- Preselector peaked at the signal of interest
- Digital trace display
- IF ADJ ON
- REF LVL CAL adjusted
- 1ST LO OUTPUT terminated in 50 ohms
- 2ND IF OUTPUT terminated in 50 ohms
- Two-year calibration cycle (See “Calibration Cycle” below.)
- Environmental requirements met

After a 30-minute warmup at a temperature between 20 °C and 30 °C, the preselector does not have to be peaked at each signal of interest. Factory preselector-peak values are sufficient to meet all specifications.

---

**NOTE**

REF LVL ADJ uses the CAL OUTPUT signal to calibrate the reference level. How often this adjustment should be performed depends on internal temperature changes. Amplitude temperature drift is a nominal 1 dB/10 °C. The nominal temperature drift is 10 °C, most of which occurs during the first 30 minutes after power-on. Internal temperature equilibrium is reached after 2 hours of operation at a stable ambient temperature.

Characteristics provide useful information in the form of typical, nominal, or approximate values for analyzer performance. Tables of the spectrum analyzer characteristics follow the specifications.

## **Calibration Cycle**

The performance tests located in Chapter 2 should be used every two years to check the analyzer against the specifications listed in this chapter.

The frequency reference needs to be adjusted as well as checked at the same time. Refer to the 10 MHz Frequency Reference Adjustment in the *Agilent 8562E and 8562EC Spectrum Analyzers Service Guide*.

## Frequency Specifications

<b>Frequency Range</b>				
Internal Mixing				
AC Coupled	100 kHz to 13.2 GHz			
DC Coupled	30 Hz to 13.2 GHz			
Internal Mixing Bands				
	<b>Frequency Range</b>	<b>Harmonic Mixing Mode N*</b>		
Band 0	30 Hz to 2.9 GHz	1–		
Band 1	2.75 GHz to 6.5 GHz	1–		
Band 2	6.5 GHz to 13.2 GHz	2–		
External Mixing				
<i>Non-Option 327</i>				
External Mixing Bands				
	<b>Frequency Band</b>	<b>Frequency Range</b>	<b>Harmonic Mixing Mode (N*)</b>	
			<b>Preselected</b>	<b>Unpreselected</b>
	K	18.0 to 26.5	n/a	6–
	A	26.5 to 40.0	8+	8–
	Q	33.0 to 50.0	10+	10–
	U	40.0 to 60.0	10+	10–
	V	50.0 to 75.0	14+	14–
	E	60.0 to 90.0	n/a	16–
	W	75.0 to 110.0	18+	18–
	F	90.0 to 140.0	n/a	24–
	D	110.0 to 170.0	n/a	30–
	G	140.0 to 220.0	n/a	36–
	Y	170.0 to 260.0	n/a	44–
	J	220.0 to 325.0	n/a	54–
* N is the harmonic mixing mode. For negative mixing modes (as indicated by the “–”), the desired 1st LO harmonic is higher than the tuned frequency by the 1st IF (3.9107 GHz for the 30 Hz to 2.9 GHz band, 310.7 MHz for all other bands). For positive mixing modes, the desired 1st LO harmonic is lower than the tuned frequency by 310.7 MHz.				



<p><b>Frequency Readout Accuracy</b></p> <p>Accuracy of START, CENTER, STOP or MARKER frequency</p> <p>SPAN &gt; 2 MHz × N*</p> <p>SPAN ≤ 2 MHz × N*</p>	<p>&lt;±(frequency readout × frequency reference accuracy<sup>†</sup> + 5% of frequency span + 15% of resolution bandwidth + 10 Hz)</p> <p>&lt;±(frequency readout × frequency reference accuracy<sup>†</sup> + 1% of frequency span + 15% of resolution bandwidth + 10 Hz)</p>
<p>* N is the harmonic mixing mode.</p> <p><sup>†</sup> frequency reference accuracy = (aging × period of time since adjustment) + initial achievable accuracy + temperature stability.</p>	

<p><b>Frequency Count Marker</b></p> <p>Frequency Count Marker Resolution</p> <p>Frequency Count Marker Accuracy (for signal-to-noise ratio ≥25 dB)</p> <p>Delta Frequency Count Accuracy (for signal-to-noise ratio ≥25 dB)</p>	<p>Selectable from 1 Hz to 1 MHz</p> <p>&lt;±(marker frequency × frequency reference accuracy<sup>‡</sup> + 2 Hz × N<sup>†</sup> + 1 LSD)</p> <p>&lt;±(delta frequency × frequency reference accuracy<sup>‡</sup> + 4 Hz × N<sup>†</sup> + 2 LSD)</p>
<p><sup>†</sup> N is the harmonic mixing mode.</p> <p><sup>‡</sup> Frequency Reference Accuracy = (aging × period of time since adjustment + initial achievable accuracy + temperature stability).</p>	

8562E/EC Specifications and Characteristics  
**Frequency Specifications**

<b>Frequency Reference Accuracy</b>	
<i>Non-Option 103</i>	
Aging	$<\pm 0.5 \times 10^{-9}/\text{day}$ (after 7 day warmup)
	$<\pm 1 \times 10^{-7}/\text{year}$
Temperature Stability	$<\pm 1 \times 10^{-8}$ , $-10\text{ }^{\circ}\text{C}$ to $+55\text{ }^{\circ}\text{C}$ , referenced to $25\text{ }^{\circ}\text{C}$
<i>Option 103</i>	
Aging	$<\pm 2 \times 10^{-6}/\text{year}$
Stability	$<\pm 1 \times 10^{-6}$
Temperature Stability	$<\pm 1 \times 10^{-6}$ , $-10\text{ }^{\circ}\text{C}$ to $+55\text{ }^{\circ}\text{C}$ , referenced to $25\text{ }^{\circ}\text{C}$

<p><b>Stability</b></p> <p>Residual FM          (zero span, 10 Hz RES BW)</p> <p><i>Non-Option 103</i></p> <p><i>Option 103</i></p> <p>Noise Sidebands          For Frequencies <math>\leq 1</math> GHz          (Refer to the characteristics section for frequencies <math>&gt; 2.9</math> GHz)</p> <p><b>Offset</b></p> <p>100 Hz</p> <p>1 kHz</p> <p>10 kHz<sup>††</sup></p> <p>30 kHz<sup>††</sup></p> <p>100 kHz<sup>†††</sup></p>	<p><math>&lt; 1.0 \text{ Hz} \times N^*</math> peak-to-peak in 20 ms<sup>†</sup></p> <p><math>&lt; 10 \text{ Hz} \times N^*</math> peak-to-peak in 20 ms</p> <table border="0"> <thead> <tr> <th></th> <th style="text-align: center;"><b>Non-Option 103</b></th> <th style="text-align: center;"><b>Option 103</b></th> </tr> </thead> <tbody> <tr> <td></td> <td style="text-align: center;"><math>&lt; -88 \text{ dBc/Hz}^{\ddagger}</math></td> <td style="text-align: center;"><math>&lt; -70 \text{ dBc/Hz}^{\ddagger}</math></td> </tr> <tr> <td></td> <td style="text-align: center;"><math>&lt; -97 \text{ dBc/Hz}^{\ddagger}</math></td> <td style="text-align: center;"><math>&lt; -90 \text{ dBc/Hz}^{\ddagger}</math></td> </tr> <tr> <td></td> <td style="text-align: center;"><math>&lt; -113 \text{ dBc/Hz}^{\S}</math></td> <td style="text-align: center;"><math>&lt; -113 \text{ dBc/Hz}^{\S}</math></td> </tr> <tr> <td></td> <td style="text-align: center;"><math>&lt; -113 \text{ dBc/Hz}^{\#}</math></td> <td style="text-align: center;"><math>&lt; -113 \text{ dBc/Hz}^{\#}</math></td> </tr> <tr> <td></td> <td style="text-align: center;"><math>&lt; -117 \text{ dBc/Hz}^{**}</math></td> <td style="text-align: center;"><math>&lt; -117 \text{ dBc/Hz}^{**}</math></td> </tr> </tbody> </table>		<b>Non-Option 103</b>	<b>Option 103</b>		$< -88 \text{ dBc/Hz}^{\ddagger}$	$< -70 \text{ dBc/Hz}^{\ddagger}$		$< -97 \text{ dBc/Hz}^{\ddagger}$	$< -90 \text{ dBc/Hz}^{\ddagger}$		$< -113 \text{ dBc/Hz}^{\S}$	$< -113 \text{ dBc/Hz}^{\S}$		$< -113 \text{ dBc/Hz}^{\#}$	$< -113 \text{ dBc/Hz}^{\#}$		$< -117 \text{ dBc/Hz}^{**}$	$< -117 \text{ dBc/Hz}^{**}$
	<b>Non-Option 103</b>	<b>Option 103</b>																	
	$< -88 \text{ dBc/Hz}^{\ddagger}$	$< -70 \text{ dBc/Hz}^{\ddagger}$																	
	$< -97 \text{ dBc/Hz}^{\ddagger}$	$< -90 \text{ dBc/Hz}^{\ddagger}$																	
	$< -113 \text{ dBc/Hz}^{\S}$	$< -113 \text{ dBc/Hz}^{\S}$																	
	$< -113 \text{ dBc/Hz}^{\#}$	$< -113 \text{ dBc/Hz}^{\#}$																	
	$< -117 \text{ dBc/Hz}^{**}$	$< -117 \text{ dBc/Hz}^{**}$																	
<p>* N is the harmonic mixing mode.</p> <p><sup>†</sup> See Resolution Bandwidth Usability in “Frequency Characteristics” for further information.</p> <p><sup>‡</sup> Add <math>5.2 \text{ dB} \times (f/1 \text{ GHz}) - 1</math> for <math>f &gt; 1 \text{ GHz}</math> and <math>f \leq 2.9 \text{ GHz}</math>.</p> <p><sup>§</sup> Add <math>2.5 \text{ dB} \times (f/1 \text{ GHz}) - 1</math> for <math>f &gt; 1 \text{ GHz}</math> and <math>f \leq 2.9 \text{ GHz}</math>.</p> <p><sup>#</sup> Add <math>3.0 \text{ dB} \times (f/1 \text{ GHz}) - 1</math> for <math>f &gt; 1 \text{ GHz}</math> and <math>f \leq 2.9 \text{ GHz}</math>.</p> <p><sup>**</sup> Add 2.0 dB for frequencies <math>&gt; 1 \text{ GHz}</math> and <math>\leq 2.9 \text{ GHz}</math></p> <p><sup>††</sup> For resolution bandwidth <math>\leq 1 \text{ kHz}</math> or frequency span <math>\leq 745 \text{ kHz}</math>.</p> <p><sup>†††</sup> For resolution bandwidth <math>\geq 3 \text{ kHz}</math> or frequency span <math>&gt; 745 \text{ kHz}</math>.</p>																			

8562E/EC Specifications and Characteristics  
**Frequency Specifications**

<b>Frequency Span</b>	
Range	
Internal Mixing	0 Hz, 100 Hz to 13.2 GHz over the 10-division display horizontal axis, variable in approximately 1% increments, or in a 1, 2, 5 sequence.
External Mixing <sup>†</sup>	Minimum span = 100 Hz × N*
Accuracy	
SPAN > 2 MHz × N*	<±5%
SPAN ≤ 2 MHz × N*	<±1%
* N is the harmonic mixing mode.	
† Resolution bandwidths ≤100 Hz are not available in external mixing. External mixing is not available for Option 002 or Option 327.	

<b>Resolution Bandwidths (-3 dB)</b>	
Range*	
<i>Non-Option 103</i>	1 Hz to 1 MHz (selectable in a 1, 3, 10 sequence) and 2 MHz (3 MHz at -6 dB)
<i>Option 103</i>	10 Hz to 1 MHz (selectable in a 1, 3, 10 sequence) and 2 MHz (3 MHz at -6 dB)
Accuracy	
1 Hz to 300 kHz RES BW	<±10%
1 MHz RES BW	<±25%
2 MHz RES BW	<+50%, -25%
Selectivity (60 dB/3 dB bandwidth ratio)	
RES BW ≥300 Hz	<15:1
RES BW ≤100 Hz	<5:1
Bandwidth Shape	
1 and 2 MHz RES BW	Approximately Gaussian
300 Hz to 300 kHz RES BW	Synchronously tuned, 4-pole filters
1 Hz to 100 Hz RES BW	Digital, approximately Gaussian
* Resolution bandwidths ≤100 Hz are not available in external mixing.	

<b>Video Bandwidth</b>	
(Post-detection low-pass filter averages displayed noise for a smooth trace.)*	
Range	1 Hz to 3 MHz <sup>†</sup> in a 1, 3, 10 sequence
* Video bandwidth filtering is not available in resolution bandwidths ≤ 100 Hz when SPAN 0 Hz with firmware revisions 930809 and earlier.	
<sup>†</sup> The video bandwidth upper limit is 450 kHz in sample detection mode.	

**Sweep**

<b>Sweep Time</b>	
Range	
Span = 0	
<i>Non-Option 007 (E-Series)</i>	
Analog display	50 $\mu$ s to <30 ms
Digital display	30 ms to 6,000 s
<i>Option 007 E-Series and all EC-Series instruments</i>	
Digital display	50 $\mu$ s to 6,000 s
Span $\geq$ 100 Hz	
RES BW $\geq$ 300 Hz	50 ms to 2,000 s
RES BW $\leq$ 100 Hz	50 ms to 100,000 s (span-dependent)
Accuracy (Span = 0 Hz)	
<i>Non-Option 007 E-Series</i>	
Sweep time 30 ms to 6,000 s	< $\pm$ 1%
Sweep time <30 ms	< $\pm$ 10%
<i>Option 007 E-Series and all EC-Series instruments</i>	
Sweep time 30 ms to 6,000 s	< $\pm$ 1%
Sweep time <30 ms	< $\pm$ 0.1%
Sweep Trigger	Delayed, Free Run, Single, Line, External, or Video <sup>#</sup>
<sup>#</sup> Video trigger is not available in RES BW settings $\leq$ 100 Hz.	

<b>Delayed Sweep</b>	
Trigger Modes	Free Run, Line, External, Video*
Range	
Span = 0	
<i>Non-Option 007 (E-Series)</i>	+2 $\mu$ s to +65.535 ms
<i>Option 007 E-Series and all EC-Series instruments</i>	
Sweep time $\geq$ 30 ms	+2 $\mu$ s to +65.535 ms
Sweep time < 30 ms	-9.9 ms to +65.535 ms <sup>††</sup>
Span $\geq$ 100 Hz	+2 $\mu$ s to +65.535 ms
Resolution	1 $\mu$ s
Accuracy <sup>#</sup>	$\pm$ 1 $\mu$ s
<p>* Video trigger is not available in RES BW settings <math>\leq</math> 100 Hz.</p> <p><sup>††</sup> Negative delayed sweep (pre-trigger) is also limited to <math>50 \times</math> sweep time.</p> <p><sup>#</sup> In E-Series instruments without Option 007, the delay time will be subject to up to <math>\pm 0.5 \mu</math>s of jitter due to synchronization of the input edge trigger to the internal 1 MHz timebase. In E-series instruments with Option 007 and in EC-instruments using sweeptimes &lt;30 ms, the delay time will experience up to <math>\pm 83</math> ns of jitter due to synchronization of the input edge trigger to the internal 12 MHz timebase.</p>	

**Time-Gated Spectrum Analysis**

<b>Gate Delay*</b>	<b>Edge Mode</b>	<b>Level Mode</b>
Range	3 $\mu$ s to 65.535 ms	$\leq 0.5 \mu$ s
Resolution	1 $\mu$ s	
Accuracy <sup>†</sup>	$< \pm 1 \mu$ s	
* Time from GATE TRIGGER INPUT to positive edge of GATE OUTPUT.		
<sup>†</sup> The gate delay time will experience up to $\pm 0.5 \mu$ s of jitter due to synchronization of the input edge trigger to the internal 1 MHz timebase.		

<b>Gate Length*</b>	
Range	1 $\mu$ s to 65.535 ms
Resolution	1 $\mu$ s
Accuracy	$< \pm 1 \mu$ s
* Time from positive edge to negative edge of GATE OUTPUT.	

<b>Marker Frequency Resolution</b>	SPAN/600 to a minimum of 1 Hz
------------------------------------	-------------------------------

<b>Marker Time Resolution</b>	Sweep time/600
-------------------------------	----------------



## Amplitude Specifications

### Measurement Range

<b>Maximum Safe Input Power</b>	
Average Continuous Power (input attenuation $\geq 10$ dB)	+30 dBm (1 W)
Peak Pulse Power (input attenuation $\geq 30$ dB)	+50 dBm (100 W) for pulse widths $\leq 10$ $\mu$ s and <1% duty cycle.
DC Voltage	
AC Coupled	< $\pm 50$ V
DC Coupled	< $\pm 0.2$ V

<b>Gain Compression</b>	
10 MHz to 2.9 GHz ( $\leq -5$ dBm at input mixer <sup>‡</sup> )	<1.0 dB
2.9 GHz to 6.46 GHz ( $\leq 0$ dBm at input mixer <sup>‡</sup> )	<1.0 dB
6.46 GHz to 13.2 GHz ( $\leq -3$ dBm at input mixer <sup>‡</sup> )	<1.0 dB
<sup>‡</sup> Mixer level = input level – input attenuation.	

8562E/EC Specifications and Characteristics  
**Amplitude Specifications**

<b>Displayed Average Noise Level</b>		
With no signal at input, 1 Hz video bandwidth, and 0 dB input attenuation, tracking generator off.		
<b>Frequency Range</b>	<b>10 Hz RES BW</b>	<b>1 Hz RES BW</b>
	<i>(Option 103)</i>	<i>(Non-Option 103)</i>
30 Hz	<-80 dBm	<-90 dBm
1 kHz	<-95 dBm	<-105 dBm
10 kHz	<-110 dBm	<-120 dBm
100 kHz	<-110 dBm	<-120 dBm
1 MHz to 10 MHz	<-130 dBm	<-140 dBm
10 MHz to 2.9 GHz	<-141 dBm	<-151 dBm
2.9 GHz to 6.5 GHz	<-138 dBm	<-148 dBm
6.46 GHz to 13.2 GHz	<-135 dBm	<-145 dBm

<b>Spurious Responses</b>	<b>Mixer Level*</b>	<b>Distortion</b>
All input-related spurious responses, except as noted below. 10 MHz to 13.2 GHz	-40 dBm	$<(-75 + 20 \log N^\dagger)$ dBc
Second Harmonic Distortion		
Applied Signal Frequency Range		
1 MHz to 1.45 GHz	-40 dBm	<-79 dBc
1.45 Hz to 2.0 GHz	-10 dBm	<-85 dBc
2.0 Hz to 6.6 GHz	-10 dBm	<-100 dBc
Third Order Intermodulation Distortion (with two signals at input mixer, spaced $\geq 1$ kHz apart)		
Frequency Range		
20 MHz to 2.9 GHz	-30 dBm each	<-82 dBc
2.9 GHz to 6.46 GHz	-30 dBm each	<-90 dBc
6.46 GHz to 13.2 GHz	-30 dBm each	<-75 dBc
Image, Multiple Responses, and Out of Range Responses		
Frequency Range		
10 MHz to 6.5 GHz	-10 dBm	<-80 dBc
* Mixer Level = input level – input attenuation		
† N = harmonic mixing number		

<b>Residual Responses</b>	
>200 kHz with no signal at input, 0 dB input attenuation, $N^\dagger \geq 1$	<-90 dBm
† N harmonic mixing number	

### Display Range

<b>Amplitude Scale</b>	10 vertical display divisions, with the reference level (0 dB) at the top graticule line.
<b>Calibration</b>	
LOG	10 dB/DIV for 100 dB display from reference level.* 5 dB/DIV for 50 dB display expanded from reference level.† 2 dB/DIV for 20 dB display expanded from reference level. 1 dB/DIV for 10 dB display expanded from reference level.†
LINEAR	10% of reference level per division over the top nine divisions (all 10 divisions for RES BW ≤100 Hz) when calibrated in voltage.
* 10 dB/DIV for 70 dB display from reference level for RES BW ≤100 Hz when SPAN = 0 Hz.	
† In E-Series instruments without Option 007 these scales are not available for sweep times < 30 ms.	

### Accuracy

<b>Reference Level Range</b>	
LOG, adjustable in 0.1 dB steps	-120 dBm to +30 dBm
LINEAR, settable in 1% steps	2.2 μV to 7.07 V

### Reference Level Uncertainty

<b>Frequency Response</b> (with 10 dB input attenuation)	<b>Typical</b> (20 °C to 30 °C)	
Relative (referenced to midpoint between highest and lowest peak excursions)		
DC Coupled		
30 Hz to 2.9 GHz	<±1.25 dB	<±0.8 dB
100 MHz to 2.3 GHz	<±0.9 dB	<±0.8 dB
2.9 GHz to 6.46 GHz	<±1.5 dB	<±1.1 dB
6.46 GHz to 13.2 GHz	<±2.2 dB	<±1.5 dB
AC Coupled		
100 kHz to 2.9 GHz	<±1.25 dB	<±0.8 dB
2.9 GHz to 6.5 GHz	<±2.0 dB	<±1.0 dB
6.46 GHz to 13.2 GHz	<±2.2 dB	<±1.5 dB
Absolute (referenced to 300 MHz CAL OUTPUT)		
DC Coupled		
30 Hz to 2.9 GHz	<±1.80 dB	<±1.0 dB
2.9 GHz to 6.46 GHz	<±2.5 dB	<±1.5 dB
6.46 GHz to 13.2 GHz	<±2.9 dB	<±2.0 dB
AC Coupled		
100 kHz to 2.9 GHz	<±1.9 dB	<±1.2 dB
2.9 GHz to 6.46 GHz	<±3.0 dB	<±1.5 dB
6.46 GHz to 13.2 GHz	<±3.0 dB	<±2.0 dB

<b>Band Switching Uncertainty</b> (Additional uncertainty added to Relative Frequency Response for measurements between any two bands)	<±1.0 dB
---	----------

<b>Calibrator Uncertainty</b> -10 dBm, 300 MHz	<±0.3 dB
---	----------

8562E/EC Specifications and Characteristics  
**Amplitude Specifications**

<b>Input Attenuator Switching Uncertainty</b> (20 to 70 dB settings, referenced to 10 dB input attenuation) 30 Hz to 2.9 GHz	<±0.6 dB/10 dB step, 1.8 dB max.
<b>IF Gain Uncertainty</b> (0 dBm to -80 dBm reference levels with 10 dB input attenuation)	<±1.0 dB
<b>Resolution Bandwidth Switching Uncertainty</b> (Referenced to 300 kHz resolution bandwidth at the reference level.)*	<±0.5 dB
* Scale fidelity is not the same for RES BW ≤100 Hz as for RES BW ≥300 Hz. Therefore, signals not at the reference level will experience an additional amplitude difference when switching between these two sets of RES BW settings, due to differences in scale fidelity.	

<b>Pulse Digitization Uncertainty</b>	
(Pulse response mode, PRF >720/sweep time)	
LOG	
Resolution Bandwidth $\leq$ 1 MHz	<1.25 dB peak-to-peak
Resolution Bandwidth = 2 MHz	<3 dB peak-to-peak
LINEAR	
Resolution Bandwidth $\leq$ 1 MHz	<4% of reference level peak-to-peak
Resolution Bandwidth = 2 MHz	<12% of reference level peak-to-peak

<b>IF Alignment Uncertainty</b>	
(additional uncertainty when using 300 Hz RES BW only)	< $\pm$ 0.5 dB

8562E/EC Specifications and Characteristics  
**Amplitude Specifications**

<p><b>Scale Fidelity*</b></p> <p>LOG</p> <p>Incremental</p> <p>0 to -90 dB range<sup>†</sup></p> <p>RES BW ≥ 300 Hz</p> <p>RES BW ≤ 100 Hz</p> <p>Cumulative</p> <p>0 to -90 dB range<sup>†</sup></p> <p>RES BW ≥ 300 Hz</p> <p>RES BW ≤ 100 Hz</p> <p>0 to -100 dB range<sup>†</sup></p> <p>RES BW ≥ 300 Hz</p> <p>RES BW ≤ 100 Hz</p> <p>LINEAR</p>	<p>&lt;±0.1 dB/dB</p> <p>&lt;±0.2 dB/2 dB</p> <p>&lt;±0.1 dB/dB from the reference level to a maximum of ±0.85 dB</p> <p>&lt;±0.2 dB/2 dB from the reference level to a maximum of ±0.85 dB</p> <p>±2.5 dB <i>characteristic</i></p> <p>maximum of ±1.5 dB</p> <p>&lt;±3% of reference level</p>
<p>* Scale fidelity is not the same for RES BW ≤100 Hz as for RES BW ≥ 300 Hz. Therefore, signals not at the reference level will experience an additional amplitude difference when switching between these two sets of RES BW settings due to the differences in scale fidelity.</p> <p>† 0 to -70 dB range for RES BW ≤100 Hz when SPAN = 0 Hz.</p>	

<p><b>Marker Amplitude Resolution*</b></p> <p>(Sweep time ≥ 30 ms)</p>	
Scale: LOG 10 dB/DIV	(1/6) dB
LOG 5 dB/DIV	(1/12) dB
LOG 2 dB/DIV	(1/30) dB
LOG 1 dB/DIV	(1/60) dB
LINEAR	Reference Level/600
<p>* In E-Series instruments markers are not available for sweep times &lt; 30 ms with RES BW ≥ 300 Hz without Option 007. For Option 007, see the characteristics section.</p>	



## Inputs and Outputs Specifications

**CAUTION** Any electrostatic discharge according to IEC 801-2/1991 to the center pins of any of the connectors may cause damage to the associated circuitry.

<b>IF INPUT</b> ( <i>Deleted on and Option 327</i> )	
Connector	SMA female, front panel
Input level for full-screen deflections (external mixing mode, 0 dBm reference level, 30 dB conversion loss)	-30 dBm ± 1.5 dB

<b>GPIB</b>	
Connector	IEEE-488 bus connector
Interface Functions	SH1, AH1, T6, TE0, L4, LE0, SR1, RL1, PP1, DC1, DT1, C1, C28
Direct Plotter Output	Supports Agilent 7225A, Agilent 7440A, Agilent 7470A, Agilent 7475A, Agilent 7550A
Direct Printer Output	Supports HP 3630A PaintJet, HP 2225A ThinkJet

<b>CAL OUTPUT</b>	
Connector	BNC female, front panel
Frequency	300 MHz ±(300 MHz × frequency reference accuracy <sup>†</sup> )
Amplitude	-10 dBm ±0.3 dB
<sup>†</sup> Frequency Reference Accuracy = (aging × period of time since adjustment + initial achievable accuracy + temperature stability).	

<b>1ST LO OUTPUT</b>	
Connector	SMA female, front panel
Amplitude	+16.5 dBm ±2.0 dB

<b>10 MHz REF IN/OUT</b>	
Connector	BNC female, rear panel
Output Frequency	10 MHz ±(10 MHz × frequency reference accuracy <sup>†</sup> )
<sup>†</sup> Frequency Reference Accuracy = (aging × period of time since adjustment + initial achievable accuracy + temperature stability).	

## General Specifications

### Environmental Specifications

*Military Specification per MIL-T-28800, Type III, Class 3, Style B (EC)/Style C (EC), as follows:*

Calibration Interval	2 years
Warmup	5 minutes from ambient conditions*
Temperature	
Operating	-10 °C to +55 °C (E) / 0 °C to +55 °C (EC)
Non-operating	-51 °C to +71 °C
Humidity	95% at 40 °C for 5 days
Altitude	
Operating	15,000 feet
Non-operating	50,000 feet
Rain resistance	Drip-proof at 16 liters/hour/square foot
Vibration	
5 to 15 Hz	0.060 inch peak-to-peak excursion
16 to 25 Hz	0.040 inch peak-to-peak excursion
26 to 55 Hz	0.020 inch peak-to-peak excursion
Pulse Shock	
Half Sine	30 g for 11 ms duration
Transit Drop	8 inch drop on 6 faces and 8 corners
Power Main	Voltage fluctuations within the range specified in the spectrum analyzer "Power Requirements."
Power Main	Operating environment within the limits of installation category II according to IEC 1010.
Pollution	Operating environment within the limits of pollution degree 2 according to IEC 664.

\* Two hours for conditions of internal condensation, 30 minutes to meet frequency response specifications without preselector peaking. When operating outside the 20 °C to 30 °C ambient temperature range, preselector peaking is always required to meet frequency response specifications.

<b>Electromagnetic Compatibility</b>	Conducted and radiated interference is in compliance with CISPR, Publication 11 (1990).
Military Specification	Meets the requirements of MIL-STD-461C, Part 2, with the exceptions shown below:
Conducted Emissions	
CE01 (Narrowband)	1 kHz to 15 kHz only
CE03 (Narrowband)	Full limits
CE03 (Broadband)	20 dB relaxation from 15 kHz to 100 kHz
Conducted Susceptibility	
CS01	Full Limits
CS02	Full Limits with 40 dB relaxation at IF frequencies. Refer also to “Radiated Immunity” in Amplitude Characteristics.
CS06	Full Limits
Radiated Emissions	
RE01	Test probe at 15 cm, front and rear panel search excluded.
RE02	Full limits to 1 GHz
Radiated Susceptibility	
RS03	Limited to 3 V/m from 14 kHz to 1 GHz with 40 dB relaxation at IF frequencies. Refer also to “Radiated Immunity” in Amplitude Characteristics.

8562E/EC Specifications and Characteristics  
**General Specifications**

<b>Power Requirements</b>	
115 Vac Operation	
Voltage	90 V to 140 V rms
Current	3.2 A rms maximum
Frequency	47 Hz to 440 Hz
230 Vac Operation	
Voltage	180 V to 250 V rms
Current	1.8 A rms maximum
Frequency	47 Hz to 66 Hz
Maximum Power Dissipation	180 W
<b>Audible Noise</b>	<5.0 Bels, 20 °C to 30 °C (ISO DP7779)
<b>Weight</b>	20 kg (44 lb)

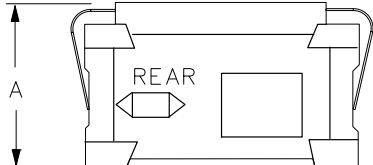
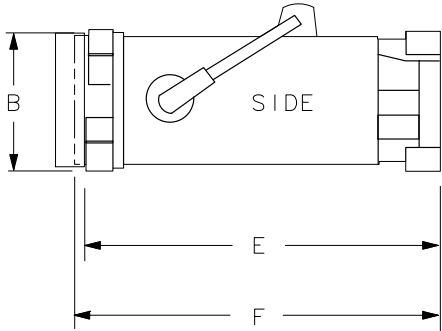
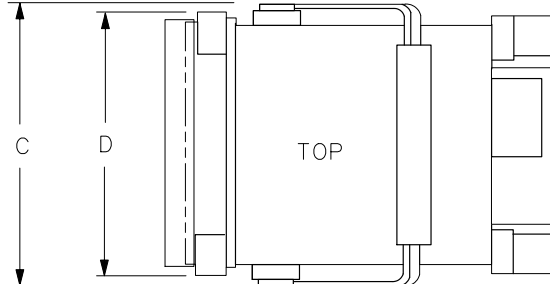
**Dimensions**

With Handle and Front Cover:

- (A) 202 mm (7-15/16 in) high
- (C) 366 mm (14-7/16 in) wide
- (F) 503 mm (19-13/16 in) deep

Without Handle and Front Cover:

- (B) 187 mm (7-3/8 in) high
- (D) 337 mm (13-1/4 in) wide
- (E) 461 mm (18-1/8 in) deep



FORMAT 1

## Frequency Characteristics

These are not specifications. Characteristics provide useful information about instrument performance.

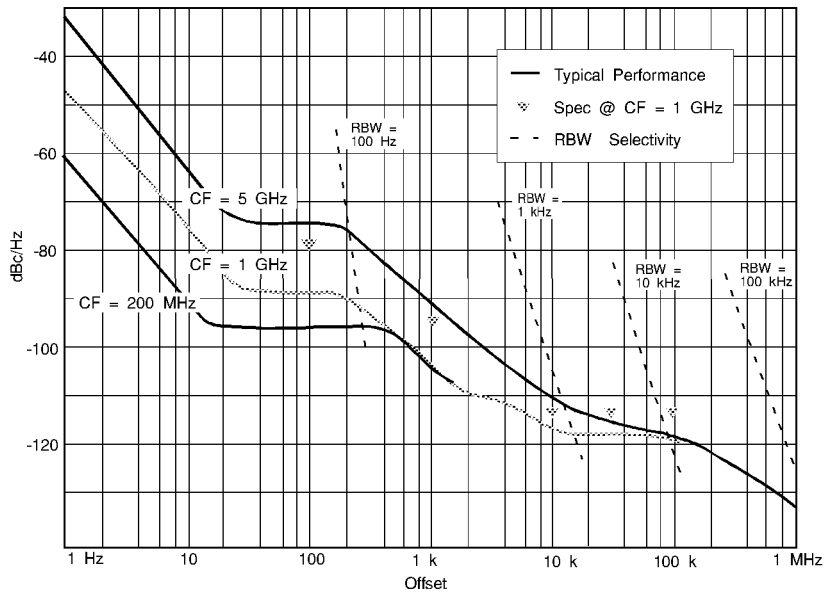
<b>Frequency Reference Accuracy</b>	
<i>Non-Option 103</i>	
Initial Achievable Accuracy  (includes gravitational sensitivity, retrace, and settability)	$<\pm 2.2 \times 10^{-8}$
Daily Aging (average over 7 days after being powered on for 7 days)	$<\pm 5 \times 10^{-10}$
Warmup  (Internal frequency reference selected)	
After 5 minutes	$<\pm 1 \times 10^{-7}$ of final frequency* (0 °C to +55 °C) $<\pm 1 \times 10^{-6}$ of final frequency* (-10 °C)
After 15 minutes	$<\pm 1 \times 10^{-8}$ of final frequency* (-10 °C to +55 °C)
<i>Option 103</i>	
Initial Achievable Accuracy	$<\pm 1 \times 10^{-6}$
* Final frequency is defined as frequency 60 minutes after power-on with analyzer set to internal frequency reference.	

<b>Bandwidth Selectivity</b>	
RES BW $\leq$ 100 Hz	$<4.5:1$
RES BW = 1 MHz	$<8:1$
RES BW = 2 MHz	$<5.5:1$

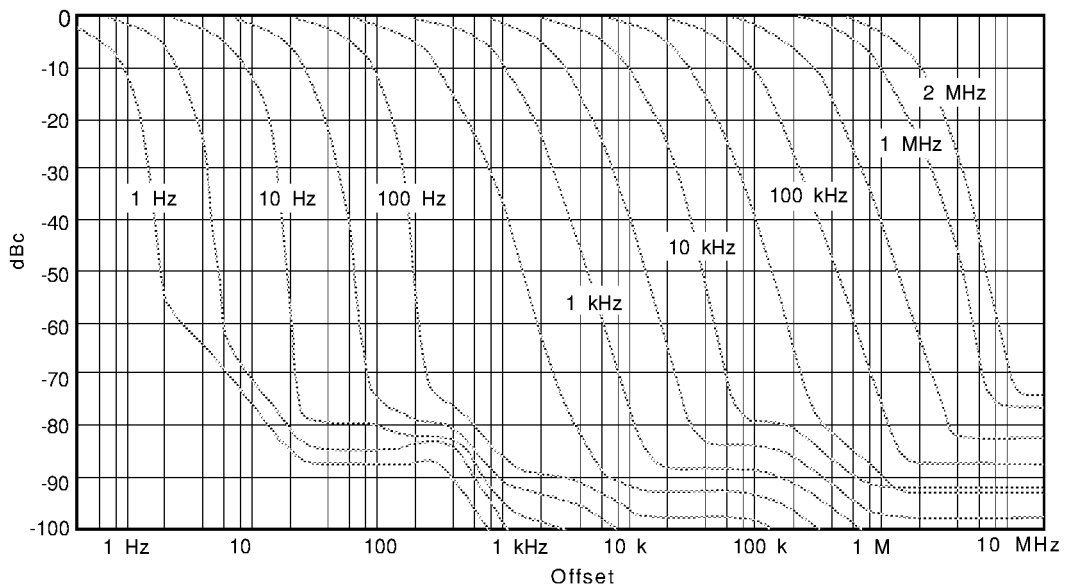
<b>Impulse Bandwidth</b>	
RES BW 2 MHz	2.93 MHz $\pm 10\%$
RES BW 1 MHz	1.60 MHz $\pm 7\%$
RES BW 300 kHz	491 kHz $\pm 7\%$
300 Hz $\leq$ RES BW $\leq$ 100 kHz	$1.62 \times$ RES BW $\pm 10\%$

<b>Stability</b>	
Noise Sidebands	
For frequencies $\leq$ 1 GHz, 100 kHz offset from carrier, and frequency span $>$ 2 MHz	$\leq 121$ dBc/Hz

**Figure 4-1** Noise Sidebands Normalized to 1 Hz BW vs. Offset from Carrier



**Figure 4-2** Typical On-Screen Dynamic Range vs. Offset from 1 GHz Center Freq. for all RBW's





## Sweep

<b>Sweep Time Accuracy</b> Span $\geq 100$ Hz	$< \pm 15\%$
--	--------------

<b>Resolution Bandwidth Usability* (Non-Option 103)</b>			
<b>RES BW</b>	<b>Maximum Usable Frequency</b>		
	<b>Video Average OFF</b>	<b>Video Average ON, 10 Video Averages</b>	
		<b>Source/Spectrum Analyzer Frequency References</b>	
		<b>Locked<sup>†</sup></b>	<b>Independent<sup>‡</sup></b>
$\geq 30$ Hz	$> 13.2$ GHz	$> 13.2$ GHz	$> 13.2$ GHz
10 Hz	$> 13.2$ GHz	$> 13.2$ GHz	$> 13.2$ GHz
3 Hz	$> 13.2$ GHz	$> 13.2$ GHz	2 GHz
1 Hz	$> 13.2$ GHz	$> 13.2$ GHz	200 MHz

\* Resolution Bandwidth Usability is the maximum usable frequency for a given resolution bandwidth. The maximum usable frequency is limited by signal instability resulting from spectrum analyzer residual FM during the measurement interval. Measurements at frequencies less than the maximum usable frequency will have a typical amplitude uncertainty of less than 1 dB. These characteristics apply after a 30 minute warmup.

<sup>†</sup> Source and spectrum analyzer share the same frequency reference.

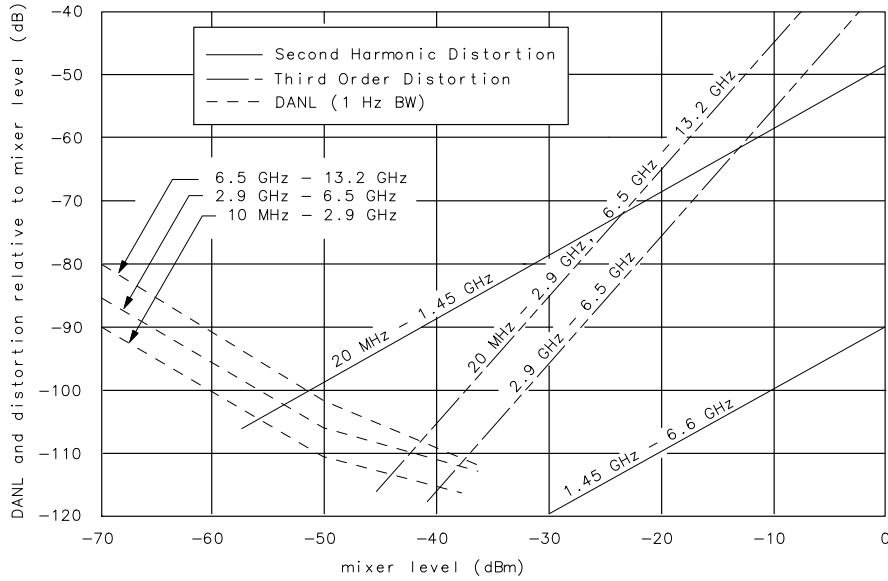
<sup>‡</sup> Source and spectrum analyzer do not share the same frequency reference.

## Amplitude Characteristics

### Dynamic Range

**Figure 4-3**

#### Nominal Dynamic Range



wj11e

### Amplitude Measurement Range

Spurious Responses	Frequency Range	Distortion
(all input related spurious responses <1 kHz from the carrier)	10 MHz to 2.9 GHz	<-55 dBc

## Amplitude Accuracy

<b>Band-to-Band Frequency Response (dB)</b>			
Frequency response uncertainty for measurements between any two internal mixing bands. Equivalent to the sum of the two Relative Frequency Response values plus Band Switching Uncertainty.			
<b>Band 0.</b>	30 Hz to 2.9 GHz		
<b>Band 1.</b>	2.9 GHz to 6.46 GHz		
<b>Band 2.</b>	6.46 GHz to 13.2 GHz		
<b>Band-to-Band Frequency Response, DC-Coupled (dB peak-to-peak)</b>			
	<b>Band 0</b>	<b>Band 1</b>	<b>Band 2</b>
<b>Band 0</b>	n/a	3.75 dB	4.45 dB
<b>Band 1</b>	3.75 dB	n/a	4.7 dB
<b>Band 2</b>	4.45 dB	4.7 dB	n/a
<b>Band-to-Band Frequency Response, AC-Coupled (dB peak-to-peak)</b>			
	<b>Band 0</b>	<b>Band 1</b>	<b>Band 2</b>
<b>Band 0</b>	n/a	4.25 dB	4.45 dB
<b>Band 1</b>	4.25 dB	n/a	5.2 dB
<b>Band 2</b>	4.45 dB	5.2 dB	n/a
<b>Input Attenuator Repeatability</b>		<±0.2 dB	
<b>Input Attenuator Accuracy</b>			
2.9 GHz to 13.2 GHz		<±1.5 dB/10 dB step, ±3.0 dB max.	
<b>Pulse Digitization Uncertainty</b>			
(Pulse response mode, PRF >720/sweep time)			
Standard Deviation		<0.2 dB	

<b>Marker Amplitude Resolution</b>	
(EC-Series instruments and E-Series with Option 007, sweep time < 30 ms, zero span)	
Scale:	
LOG 10 dB/DIV	≤ (1/2) dB
LOG 5 dB/DIV	≤ (1/4) dB
LOG 2 dB/DIV	≤ (1/10) dB
LOG 1 dB/DIV	≤ (1/20) dB
LINEAR	≤ Reference Level/200

### **Demodulation**

<b>Spectrum Demodulation</b>	
Modulation Type	AM and FM (5 kHz peak deviation)
Audio Output	Internal speaker and phone jack with volume control.
Pause Time at Marker Frequency	100 ms to 60 s

### **Radiated Immunity**

<b>Radiated Immunity</b>
When tested at 3 V/m according to IEC 801-3/1984 the displayed average noise level will be within specifications over the full immunity test frequency range of 27 to 500 MHz except that at the immunity test frequency of 310.7 MHz ± selected resolution bandwidth the displayed average noise level may be up to -80 dBm. When the analyzer tuned frequency is identical to the immunity test signal frequency there may be signals of up to -90 dBm displayed on the screen.

## Inputs and Outputs Characteristics

**CAUTION** Any electrostatic discharge according to IEC 801-2/1991 to the center pins of any of the connectors may cause damage to the associated circuitry.

<b>INPUT 50Ω</b>	
Connector	Precision Type N female, front panel
Impedance	50 Ω
VSWR (at tuned frequency)	<1.5:1 for ≥10 dB Input Attenuation <3.0:1 for 0 dB Input Attenuation
LO Emission Level* (average)	
10 dB Input Attenuation	<-80 dBm
* Level of 1st LO, 3.0 to 6.8 GHz, present at INPUT 50Ω connector.	

<b>IF INPUT</b> ( <i>Deleted on Option 002 and Option 327</i> )	
(2nd IF input for use with external mixers)	
Connector	SMA female, front panel
Impedance (dc coupled)	50 Ω
Frequency	310.7 MHz
Noise Figure	7 dB
1 dB Gain Compression Level	-23 dBm
Full Screen Level	-30 dBm
(Gain Compression and Full Screen Levels apply with 30 dB conversion loss setting and 0 dBm reference level.)	

<b>1ST LO OUTPUT</b>	
Connector	SMA female, front panel
Impedance	50 Ω
Frequency Range	3.0000 GHz to 6.8107 GHz <sup>†</sup>
<sup>†</sup> 3.8107 GHz to 6.8107 GHz for analyzers equipped with Option 002.	

8562E/EC Specifications and Characteristics  
**Inputs and Outputs Characteristics**

<b>CAL OUTPUT</b>	
Connector	BNC female, front panel
Impedance	50 Ω

<b>10 MHz REF IN/OUT</b>	
Connector	BNC female, rear panel
Impedance	50 Ω
Output Amplitude	0 dBm
Input Frequency	10 MHz × (1±2×10 <sup>-5</sup> )
Input Amplitude	-2 to +10 dBm
External Reference Phase Noise	
<p style="text-align: center;">Analyzer noise sideband performance will not be degraded if the external reference phase noise is within the limits given below.</p> <p style="text-align: center;"><i>Non-Option 103</i></p> <p style="text-align: center;"><i>Option 103</i></p>	<p style="text-align: center;">&lt;-135 dBc/Hz at 100 Hz offset</p> <p style="text-align: center;">&lt;-110 dBc/Hz at 100 Hz offset</p>

<b>VIDEO OUTPUT*</b> ( <i>Deleted on Option 327</i> )	
Connector	BNC female, rear panel
Impedance (dc coupled)	50 Ω
Amplitude (RES BW ≥300 Hz)	0 to +1 V full scale
Scaling	
RES BW ≥300 Hz	linear or log 100 dB/V
RES BW ≤100 Hz	4.8 kHz, auto-ranged level with dc offset
<p>* The VIDEO OUTPUT is a video signal for RES BW ≥300 Hz with switching transients and IF ADJ signals between sweeps. For RES BW ≤100 Hz the output is an IF signal with transients and IF ADJ signals between and during sweeps.</p>	

<b>LO SWP FAV OUTPUT and          LO SWP 0.5 V/GHz OUTPUT*</b>  Connector  Impedance (dc coupled)  LO SWP OUTPUT (no load)  0.5 V/GHz OUTPUT  Internal Mixer Mode  External Mixer Mode  0.25 V/GHz OUTPUT <sup>†</sup>	BNC female, rear panel  120 Ω  0 to + 10 V   0.5 V/GHz of tuned frequency (no load)  $[(1.5 \text{ V/GHz}) \times \text{LO frequency}] - 0.2054 \text{ V} \pm 50 \text{ mV}$  0.25 V/GHz of tuned frequency (no load)
* This connector is labeled LO SWP   0.5 V/GHz OUTPUT on older spectrum analyzers and LO SWP   FAV OUTPUT on newer spectrum analyzers.  <sup>†</sup> The 0.25 V/GHz output is available only in the 8564E and 8565E.	

<b>BLKG/GATE OUTPUT</b>  Connector  Impedance  Blanking Mode  Amplitude during sweep  Amplitude during retrace  Gate Mode  Gate On  Gate Off	BNC female, rear panel  50 Ω   Low TTL Level  High TTL Level   High TTL level  Low TTL level
--	--

<b>EXT/GATE TRIG INPUT</b>  Connector  Impedance  Trigger Level	BNC female, rear panel  10 kΩ  Settable to high TTL, or low TTL, or edge triggered TTL
---	--

<b>PROBE POWER</b> (front panel)  Voltage  Current	+15 V dc, -12.6 V dc  150 mA maximum, each
--	--


8562E/EC Specifications and Characteristics  
**Inputs and Outputs Characteristics**

<b>EARPHONE</b>	
Connector	1/8 inch miniature monophonic jack, rear panel
Power Output	0.2 W into 4 $\Omega$
<b>2ND IF OUT</b>	
<i>(Option 001 instruments only)</i>	
Connector	SMA female, rear panel
Impedance	50 $\Omega$
Frequency	310.7 MHz
<b>Frequency Range</b>	<b>3 dB BW</b> <b>Noise Figure</b> <b>Conversion Gain</b>
30 Hz to 2.9 GHz	>28 MHz      20 dB      -8 dB
2.9 GHz to 6.5 GHz	>30 MHz      22 dB      -12 dB
6.5 GHz to 13.2 GHz	>30 MHz      26 dB      -16 dB
<b>ALT SWEEP OUT</b>	
<i>(Option 005 analyzers only)</i>	
Connector	BNC female, rear panel
Impedance	100 $\Omega$




## Regulatory Information

The following information applies to the 8562EC spectrum analyzer.

<b>DECLARATION OF CONFORMITY</b>	
According to ISO/IEC Guide 22 and CEN/CENELEC EN 45014	
<b>Manufacturer's Name:</b>	Agilent Technologies, Inc.
<b>Manufacturer's Address:</b>	1400 Fountaingrove Parkway Santa Rosa, CA 95403-1799 USA
Declares that the products	
<b>Product Name:</b>	Spectrum Analyzer
<b>Model Number:</b>	8560EC, 8561EC, 8562EC, 8563EC, 8564EC, 8565EC
<b>Product Options:</b>	This declaration covers all options of the above products.
Conform to the following product specifications:	
EMC: IEC 61326-1:1997+A1:1998 / EN 61326-1:1997+A1:1998	
<u>Standard</u>	<u>Limit</u>
CISPR 11:1990 / EN 55011-1991	Group 1, Class A
IEC 61000-4-2:1995+A1:1998 / EN 61000-4-2:1995	4 kV CD, 8 kV AD
IEC 61000-4-3:1995 / EN 61000-4-3:1995	3 V/m, 80 - 1000 MHz
IEC 61000-4-4:1995 / EN 61000-4-4:1995	0.5 kV sig., 1 kV power
IEC 61000-4-5:1995 / EN 61000-4-5:1996	0.5 kV L-L, 1 kV L-G
IEC 61000-4-6:1996 / EN 61000-4-6:1998	3 V, 0.15 - 80 MHz
IEC 61000-4-11:1994 / EN 61000-4-11:1998	1 cycle, 100%
Safety: IEC 61010-1:1990 + A1:1992 + A2:1995 / EN 61010-1:1993 +A2:1995 CAN/CSA-C22.2 No. 1010.1-92	
<b>Supplementary Information:</b>	
The products herewith comply with the requirements of the Low Voltage Directive 73/23/EEC and the EMC Directive 89/336/EEC and carry the CE-marking accordingly.	
Santa Rosa, CA, USA	18 Jan. 2000
	
	Greg Pfeiffer/Quality Engineering Manager
For further information, please contact your local Agilent Technologies sales office, agent or distributor.	

The following information applies to the 8562E spectrum analyzer.

<b>DECLARATION OF CONFORMITY</b>	
According to ISO/IEC Guide 22 and CEN/CENELEC EN 45014	
<b>Manufacturer's Name:</b>	Agilent Technologies, Inc.
<b>Manufacturer's Address:</b>	1400 Fountaingrove Parkway Santa Rosa, CA 95403-1799 USA
Declares that the products	
<b>Product Name:</b>	Spectrum Analyzer
<b>Model Number:</b>	8560E, 8560EL, 8561E, 8562E, 8562EL, 8563E, 8564E, 8565E
<b>Product Options:</b>	This declaration covers all options of the above products.
Conform to the following product specifications:	
<u>Standard</u>	<u>Limit</u>
EMC: CISPR 11:1990 / EN 55011-1991	Group 1, Class A
IEC 801-2:1984/EN 50082-1:1992	4 kV CD, 8 kV AD
IEC 801-3:1984/EN 50082-1:1992	3 V/m, 80 - 1000 MHz
IEC 801-4:1988/EN 50082-1:1992	0.5 kV sig., 1 kV power
Safety: IEC 61010-1:1990 + A1:1992 + A2:1995 / EN 61010-1:1993 +A2:1995 CAN/CSA-C22.2 No. 1010.1-92	
<b>Supplementary Information:</b> The products herewith comply with the requirements of the Low Voltage Directive 73/23/EEC and the EMC Directive 89/336/EEC and carry the CE-marking accordingly.	
	
Santa Rosa, CA, USA	1 Nov. 2000
Greg Pfeiffer/Quality Engineering Manager	
For further information, please contact your local Agilent Technologies sales office, agent or distributor.	

### **Notice for Germany: Noise Declaration**

L<sub>pA</sub> < 70 dB am Arbeitsplatz (operator position) normaler Betrieb (normal position) nach DIN 45635 T. 19 (per ISO 7779)

### **CE: European Community**

The product design was approved for the European Community.

### **ISM1-A: Industrial Scientific and Medical Group 1, Class A**

The instrument meets the requirements of CISPER 11, Clause 4.

### **CSA: Canadian Standards Association**

The CSA mark is a registered trademark of the Canadian Standards Association. The product meets the requirements.

### **IEC: International Electrotechnical Commission**

This instrument has been designed and tested in accordance with IEC Publication 1010, Safety Requirements for Electronic Measuring Apparatus, and has been supplied in a safe condition. The instruction documentation contains information and warnings which must be followed by the user to ensure safe operation and to maintain the instrument in a safe condition.

This product conforms to Enclosure Protection IP 2 0 according to IEC-529. The enclosure protects against finger access to hazardous parts within the enclosure; the enclosure does not protect against the entrance of water.





## Specifications and Characteristics

The following tables list the spectrum analyzer specifications. Unless stated otherwise, all specifications describe the analyzer warranted performance under the following conditions:

- Five-minute warmup for ambient conditions
- Autocoupled controls
- Preselector peaked at the signal of interest
- Digital trace display
- IF ADJ ON
- REF LVL CAL adjusted
- 1ST LO OUTPUT terminated in 50 ohms
- 2ND IF OUTPUT terminated in 50 ohms
- Two-year calibration cycle (See “Calibration Cycle” below.)
- Environmental requirements met

After a 30-minute warmup at a temperature between 20 °C and 30 °C, the preselector does not have to be peaked at each signal of interest. Factory preselector-peak values are sufficient to meet all specifications.

---

**NOTE**

REF LVL ADJ uses the CAL OUTPUT signal to calibrate the reference level. How often this adjustment should be performed depends on internal temperature changes. Amplitude temperature drift is a nominal 1 dB/10 °C. The nominal temperature drift is 10 °C, most of which occurs during the first 30 minutes after power-on. Internal temperature equilibrium is reached after 2 hours of operation at a stable ambient temperature.

---

Characteristics provide useful information in the form of typical, nominal, or approximate values for analyzer performance. Tables of the spectrum analyzer characteristics follow the specifications.

## **Calibration Cycle**

The performance tests located in Chapter 2 should be used every two years to check the analyzer against the specifications listed in this chapter.

The frequency reference needs to be adjusted as well as checked at the same time. Refer to the 10 MHz Frequency Reference Adjustment in the *Agilent Technologies 8561E/EC and Agilent Technologies 8563E/EC Spectrum Analyzers Service Guide*.

## Frequency Specifications

<b>Frequency Range</b>			
Internal Mixing			
<i>Non-Option 006</i>		9 kHz to 26.5 GHz	
<i>Option 006</i>		30 Hz to 26.5 GHz	
Internal Mixing Bands		<b>Frequency Range</b>	<b>Harmonic Mixing Mode N*</b>
Band 0 <i>Non-Option 006</i>		9 kHz to 2.9 GHz	1–
Band 0 <i>Option 006</i>		30 Hz to 2.9 GHz	1–
Band 1		2.75 GHz to 6.46 GHz	1–
Band 2		5.86 GHz to 13.2 GHz	2–
Band 3		12.4 GHz to 26.5 GHz	4–
External Mixing		18 GHz to 325 GHz	
External Mixing Bands			
<b>Frequency Band</b>	<b>Frequency Range</b>	<b>Harmonic Mixing Mode (N*)</b>	
		<b>Preselected</b>	<b>Unpreselected</b>
K	18.0 to 26.5	n/a	6–
A	26.5 to 40.0	8+	8–
Q	33.0 to 50.0	10+	10–
U	40.0 to 60.0	10+	10–
V	50.0 to 75.0	14+	14–
E	60.0 to 90.0	n/a	16–
W	75.0 to 110.0	18+	18–
F	90.0 to 140.0	n/a	24–
D	110.0 to 170.0	n/a	30–
G	140.0 to 220.0	n/a	36–
Y	170.0 to 260.0	n/a	44–
J	220.0 to 325.0	n/a	54–
* N is the harmonic mixing mode. For negative mixing modes (as indicated by the “–”), the desired 1st LO harmonic is higher than the tuned frequency by the 1st IF (3.9107 GHz for the 30 Hz to 2.9 GHz band, 310.7 MHz for all other bands). For positive mixing modes, the desired 1st LO harmonic is lower than the tuned frequency by 310.7 MHz.			



<p><b>Frequency Readout Accuracy</b></p> <p>Accuracy of START, CENTER, STOP or MARKER frequency</p> <p>SPAN &gt; 2 MHz × N*</p> <p>SPAN ≤ 2 MHz × N*</p>	<p>&lt;±(frequency readout × frequency reference accuracy<sup>†</sup> + 5% of frequency span + 15% of resolution bandwidth + 10 Hz)</p> <p>&lt;±(frequency readout × frequency reference accuracy<sup>†</sup> + 1% of frequency span + 15% of resolution bandwidth + 10 Hz)</p>
<p>* N is the harmonic mixing mode.</p> <p><sup>†</sup> frequency reference accuracy = (aging × period of time since adjustment) + initial achievable accuracy + temperature stability.</p>	

<p><b>Frequency Count Marker</b></p> <p>Frequency Count Marker Resolution</p> <p>Frequency Count Marker Accuracy (for signal-to-noise ratio ≥25 dB)</p> <p>Delta Frequency Count Accuracy (for signal-to-noise ratio ≥25 dB)</p>	<p>Selectable from 1 Hz to 1 MHz</p> <p>&lt;±(marker frequency × frequency reference accuracy<sup>‡</sup> + 2 Hz × N<sup>†</sup> + 1 LSD)</p> <p>&lt;±(delta frequency × frequency reference accuracy<sup>‡</sup> + 4 Hz × N<sup>†</sup> + 2 LSD)</p>
<p><sup>†</sup> N is the harmonic mixing mode.</p> <p><sup>‡</sup> Frequency Reference Accuracy = (aging × period of time since adjustment + initial achievable accuracy + temperature stability).</p>	

8563E/EC Specifications and Characteristics  
**Frequency Specifications**

<b>Frequency Reference Accuracy</b>	
<i>Non-Option 103</i>	
Aging	< $\pm 0.5 \times 10^{-9}$ /day (after 7 day warmup)
	< $\pm 1 \times 10^{-7}$ /year
Temperature Stability	< $\pm 1 \times 10^{-8}$ , -10 °C to +55 °C, referenced to 25 °C
<i>Option 103</i>	
Aging	< $\pm 2 \times 10^{-6}$ /year
Stability	< $\pm 1 \times 10^{-6}$
Temperature Stability	< $\pm 1 \times 10^{-6}$ , -10 °C to +55 °C, referenced to 25 °C

<b>Stability</b>		
Residual FM (zero span, 10 Hz RES BW)		
<i>Non-Option 103</i>		
< 1.0 Hz × N* peak-to-peak in 20 ms <sup>†</sup>		
<i>Option 103</i>		
< 10 Hz × N* peak-to-peak in 20 ms		
Noise Sidebands		
For Frequencies ≤ 1 GHz		
(Refer to the characteristics section for frequencies > 2.9 GHz)		
<b>Offset</b>	<b>Non-Option 103</b>	<b>Option 103</b>
100 Hz		
serial number prefix <3436A	<-80 dBc/Hz <sup>‡</sup>	<-70 dBc/Hz <sup>‡</sup>
serial number prefix ≥3436A	<-88 dBc/Hz <sup>‡</sup>	<-70 dBc/Hz <sup>‡</sup>
1 kHz	<-97 dBc/Hz <sup>‡</sup>	<-90 dBc/Hz <sup>‡</sup>
10 kHz <sup>††</sup>	<-113 dBc/Hz <sup>§</sup>	<-113 dBc/Hz <sup>§</sup>
30 kHz <sup>††</sup>	<-113 dBc/Hz <sup>#</sup>	<-113 dBc/Hz <sup>#</sup>
100 kHz <sup>‡‡</sup>		
serial number prefix <3436A	<-113 dBc/Hz <sup>§</sup>	<-113 dBc/Hz <sup>§</sup>
serial number prefix ≥3436A	<-117 dBc/Hz <sup>**</sup>	<-117 dBc/Hz <sup>**</sup>

\* N is the harmonic mixing mode.

<sup>†</sup> See Resolution Bandwidth Usability in “Frequency Characteristics” for further information.

<sup>‡</sup> Add 5.2 dB × (f/1 GHz) - 1) for f > 1 GHz and f ≤ 2.9 GHz.

<sup>§</sup> Add 2.5 dB × (f/1 GHz) - 1) for f > 1 GHz and f ≤ 2.9 GHz.

<sup>#</sup> Add 3.0 dB × (f/1 GHz) - 1) for f > 1 GHz and f ≤ 2.9 GHz.

<sup>\*\*</sup> Add 2.0 dB for frequencies > 1 GHz and ≤ 2.9 GHz

<sup>††</sup> For resolution bandwidth ≤ 1 kHz or frequency span ≤ 745 kHz.

<sup>‡‡</sup> For resolution bandwidth ≥ 3 kHz or frequency span > 745 kHz.

8563E/EC Specifications and Characteristics  
**Frequency Specifications**

<b>Frequency Span</b>	
Range	
Internal Mixing	0 Hz, 100 Hz to 13.2 GHz over the 10-division display horizontal axis, variable in approximately 1% increments, or in a 1, 2, 5 sequence.
External Mixing <sup>†</sup>	Minimum span = 100 Hz × N*
Accuracy	
SPAN > 2 MHz × N*	<±5%
SPAN ≤ 2 MHz × N*	<±1%
* N is the harmonic mixing mode.	
† Resolution bandwidths ≤100 Hz are not available in external mixing. External mixing is not available for Option 002 or Option 327.	

<b>Resolution Bandwidths (–3 dB)</b>	
Range*	
<i>Non-Option 103</i>	1 Hz to 1 MHz (selectable in a 1, 3, 10 sequence) and 2 MHz (3 MHz at –6 dB)
<i>Option 103</i>	10 Hz to 1 MHz (selectable in a 1, 3, 10 sequence) and 2 MHz (3 MHz at –6 dB)
Accuracy	
1 Hz to 300 kHz RES BW	<±10%
1 MHz RES BW	<±25%
2 MHz RES BW	<+50%, –25%
Selectivity (60 dB/3 dB bandwidth ratio)	
RES BW ≥300 Hz	<15:1
RES BW ≤100 Hz	<5:1
Bandwidth Shape	
1 and 2 MHz RES BW	Approximately Gaussian
300 Hz to 300 kHz RES BW	Synchronously tuned, 4-pole filters
1 Hz to 100 Hz RES BW	Digital, approximately Gaussian
* Resolution bandwidths ≤100 Hz are not available in external mixing.	

<b>Video Bandwidth</b>	
(Post-detection low-pass filter averages displayed noise for a smooth trace.)*	
Range	1 Hz to 3 MHz <sup>†</sup> in a 1, 3, 10 sequence
* Video bandwidth filtering is not available in resolution bandwidths ≤ 100 Hz when SPAN 0 Hz with firmware revisions 930809 and earlier.	
<sup>†</sup> The video bandwidth upper limit is 450 kHz in sample detection mode.	

**Sweep**

<b>Sweep Time</b>	
Range	
Span = 0	
<i>Non-Option 007 (E-Series)</i>	
Analog display	50 $\mu$ s to <30 ms
Digital display	30 ms to 6,000 s
<i>Option 007 E-Series and all EC-Series instruments</i>	
Digital display	50 $\mu$ s to 6,000 s
Span $\geq$ 100 Hz	
RES BW $\geq$ 300 Hz	50 ms to 2,000 s
RES BW $\leq$ 100 Hz	50 ms to 100,000 s (span-dependent)
Accuracy (Span = 0 Hz)	
<i>Non-Option 007 (E-Series)</i>	
Sweep time 30 ms to 6,000 s	< $\pm$ 1%
Sweep time <30 ms	< $\pm$ 10%
<i>Option 007 (E-Series) and all EC-Series instruments</i>	
Sweep time 30 ms to 6,000 s	< $\pm$ 1%
Sweep time <30 ms	< $\pm$ 0.1%
Sweep Trigger	Delayed, Free Run, Single, Line, External, or Video <sup>#</sup>
<sup>#</sup> Video trigger is not available in RES BW settings $\leq$ 100 Hz.	

<b>Delayed Sweep</b>	
Trigger Modes	Free Run, Line, External, Video*
Range	
Span = 0	
<i>Non-Option 007</i> (E-Series)	+2 $\mu$ s to +65.535 ms
<i>Option 007</i> E-Series and all EC-Series instruments	
Sweep time $\geq$ 30 ms	+2 $\mu$ s to +65.535 ms
Sweep time < 30 ms	-9.9 ms to +65.535 ms <sup>††</sup>
Span $\geq$ 100 Hz	+2 $\mu$ s to +65.535 ms
Resolution	1 $\mu$ s
Accuracy <sup>#</sup>	
Serial prefix 3310A and above	$\pm$ 1 $\mu$ s
Serial prefix <3310A	
20 °C to 30 °C	$\pm$ (1 $\mu$ s + (0.05% $\times$ DELAY SWEEP setting))
-10 °C to +55 °C	$\pm$ (1 $\mu$ s + (0.12% $\times$ DELAY SWEEP setting))
* Video trigger is not available in RES BW settings $\leq$ 100 Hz.	
<sup>††</sup> Negative delayed sweep (pre-trigger) is also limited to 50 $\times$ sweep time.	
<sup>#</sup> In E-Series instruments without Option 007, the delay time will be subject to up to $\pm$ 0.5 $\mu$ s of jitter due to synchronization of the input edge trigger to the internal 1 MHz timebase. In E-series instruments with Option 007 and in EC-instruments using sweeptimes <30 ms, the delay time will experience up to $\pm$ 83 ns of jitter due to synchronization of the input edge trigger to the internal 12 MHz timebase.	

**Time-Gated Spectrum Analysis**

<b>Gate Delay*</b>	<b>Edge Mode</b>	<b>Level Mode</b>
Range	3 $\mu$ s to 65.535 ms	$\leq 0.5 \mu$ s
Resolution	1 $\mu$ s	
Accuracy <sup>†</sup>		
Serial prefix 3310A and above	$< \pm 1 \mu$ s	
Serial prefix <3310A		
20 °C to 30 °C		$\pm (1 \mu\text{s} + (0.05\% \times \text{GATE DELAY setting}))$
-10 °C to 55 °C		$\pm (1 \mu\text{s} + (0.12\% \times \text{GATE DELAY setting}))$
* Time from GATE TRIGGER INPUT to positive edge of GATE OUTPUT.		
<sup>†</sup> The gate delay time will experience up to $\pm 0.5 \mu$ s of jitter due to synchronization of the input edge trigger to the internal 1 MHz timebase.		

<b>Gate Length*</b>	
Range	1 $\mu$ s to 65.535 ms
Resolution	1 $\mu$ s
Accuracy	
Serial prefix 3310A and above	$< \pm 1 \mu$ s
Serial prefix <3310A	
20 °C to 30 °C	$\pm (0.2 \mu\text{s} + (0.05\% \times \text{GATE LENGTH setting}))$
-10 °C to 55 °C	$\pm (0.2 \mu\text{s} + (0.12\% \times \text{GATE LENGTH setting}))$
* Time from positive edge to negative edge of GATE OUTPUT.	

<b>Marker Frequency Resolution</b>	SPAN/600 to a minimum of 1 Hz
------------------------------------	-------------------------------

<b>Marker Time Resolution</b>	Sweep time/600
-------------------------------	----------------



## Amplitude Specifications

### Measurement Range

<b>Maximum Safe Input Power</b>	
Average Continuous Power (input attenuation $\geq 10$ dB)	+30 dBm (1 W)
Peak Pulse Power (input attenuation $\geq 30$ dB)	+50 dBm (100 W) for pulse widths $\leq 10$ $\mu$ s and <1% duty cycle.
DC Voltage	< $\pm 0.2$ V

<b>Gain Compression</b>	
10 MHz to 2.9 GHz ( $\leq -5$ dBm at input mixer <sup>‡</sup> )	<1.0 dB
2.9 GHz to 6.46 GHz ( $\leq 0$ dBm at input mixer <sup>‡</sup> )	<1.0 dB
6.46 GHz to 26.5 GHz ( $\leq -3$ dBm at input mixer <sup>‡</sup> )	<1.0 dB

<sup>‡</sup> Mixer level = input level – input attenuation.

8563E/EC Specifications and Characteristics  
**Amplitude Specifications**

<b>Displayed Average Noise Level</b>		
With no signal at input, 1 Hz video bandwidth, and 0 dB input attenuation, tracking generator off.		
<b>Frequency Range</b>	<b>10 Hz RES BW</b>	<b>1 Hz RES BW</b>
	<i>(Option 103)</i>	<i>(Non-Option 103)</i>
30 Hz <i>(Option 006)</i>	<-80 dBm	<-90 dBm
1 kHz <i>(Option 006)</i>	<-95 dBm	<-105 dBm
10 kHz	<-110 dBm	<-120 dBm
100 kHz	<-110 dBm	<-120 dBm
1 MHz to 10 MHz	<-130 dBm	<-140 dBm
10 MHz to 2.9 GHz		
serial number prefix <3246A	<-135 dBm	<-145 dBm
serial number prefix 3246A to <3645A	<-134 dBm	<-144 dBm
serial number prefix ≥3645A	<-139 dBm	<-149 dBm
Option H13	<-139 dBm	<-149 dBm
2.9 GHz to 6.46 GHz	<-138 dBm	<-148 dBm
6.46 GHz to 13.2 GHz	<-135 dBm	<-145 dBm
13.2 GHz to 22.0 GHz	<-130 dBm	<-140 dBm
22.0 GHz to 26.5 GHz	<-129 dBm	<-139 dBm

<b>Spurious Responses</b>	<b>Mixer Level*</b>	<b>Distortion</b>
All input-related spurious responses, except as noted below. 10 MHz to 26.5 GHz	-40 dBm	$<(-75 + 20 \log N^\dagger)$ dBc
Second Harmonic Distortion		
Applied Signal Frequency Range		
1 MHz to 1.45 GHz (serial number prefix <3645A)	-40 dBm	$<-72$ dBc
20 MHz to 1.45 GHz (serial number prefix $\geq 3645A$ )	-40 dBm	$<-79$ dBc
20 MHz to 1.45 GHz (Option H13)	-40 dBm	$<-79$ dBc
1.45 GHz to 2.0 GHz	-10 dBm	$<-85$ dBc
2.0 GHz to 13.25 GHz	-10 dBm	$<-100$ dBc
Third Order Intermodulation Distortion (with two signals at the input mixer, spaced by $\geq 1$ kHz)*		
Frequency Range		
1 MHz to 2.9 GHz (serial number prefix <3645A)	-30 dBm each	$<-78$ dBc
20 MHz to 2.9 GHz (serial number prefix $\geq 3645A$ )	-30 dBm each	$<-82$ dBc
20 MHz to 2.9 GHz (Option H13)	-30 dBm each	$<-82$ dBc
2.9 GHz to 6.46 GHz	-30 dBm each	$<-90$ dBc
6.46 GHz to 26.5 GHz	-30 dBm each	$<-75$ dBc
Image, Multiple, and Out-of-Band Responses		
Frequency Range		
10 MHz to 26.5 GHz	-10 dBm	$<-80$ dBc
* Mixer level = input level – input attenuation.		
$^\dagger N$ = harmonic mixing number		

<b>Residual Responses</b>	
>200 kHz with no signal at input, 0 dB input attenuation, $N^\dagger 1$	$<-90$ dBm
$^\dagger N$ harmonic mixing number	

### Display Range

<b>Amplitude Scale</b>	10 vertical display divisions, with the reference level (0 dB) at the top graticule line.
<b>Calibration</b>	
LOG	10 dB/DIV for 100 dB display from reference level.* 5 dB/DIV for 50 dB display expanded from reference level.† 2 dB/DIV for 20 dB display expanded from reference level. 1 dB/DIV for 10 dB display expanded from reference level.†
LINEAR	10% of reference level per division over the top nine divisions (all 10 divisions for RES BW ≤100 Hz) when calibrated in voltage.
* 10 dB/DIV for 70 dB display from reference level for RES BW ≤100 Hz when SPAN = 0 Hz.	
† In E-Series instruments these scales are not available for sweep times < 30 ms without Option 007.	

### Accuracy

<b>Reference Level Range</b>	
LOG, adjustable in 0.1 dB steps	
<b>Frequency Band</b>	<b>Range</b>
30 Hz to 26.5 GHz ( <i>Option 006</i> )	-120 dBm to +30 dBm
9 kHz to 26.5 GHz ( <i>Non-Option 006</i> )	-120 dBm to +30 dBm
LINEAR, settable in 1% steps	
30 Hz to 26.5 GHz ( <i>Option 006</i> )	2.2 μV to 7.07 V
9 kHz to 26.5 GHz ( <i>Non-Option 006</i> )	2.2 μV to 7.07 V

### Reference Level Uncertainty

<b>Frequency Response</b>		<b>Typical</b>
(with 10 dB input attenuation)		(20 °C to 30 °C)
Relative (referenced to midpoint between highest and lowest peak excursions)		
30 Hz to 2.9 GHz ( <i>Option 006</i> )	<±1.25 dB	<±0.8 dB
9 kHz to 2.9 GHz ( <i>Non-option 006</i> )	<±1.25 dB	<±0.8 dB
100 MHz to 2.0 GHz (serial number prefix ≥3645A)	<±1.0 dB	<±0.8 dB
2.9 GHz to 6.46 GHz	<±1.5 dB	<±1.0 dB
6.46 GHz to 13.2 GHz	<±2.2 dB	<±1.5 dB
13.2 kHz to 22.0 GHz	<±2.5 dB	<±1.5 dB
22.0 GHz to 26.5 GHz	<±3.3 dB	<±2.2 dB
Absolute (referenced to 300 MHz CAL OUTPUT)		
30 Hz to 2.9 GHz ( <i>Option 006</i> )	<±1.80 dB	<±1.0 dB
9 kHz to 2.9 GHz ( <i>Non-option 006</i> )	<±1.80 dB	<±1.0 dB
2.9 GHz to 6.46 GHz	<±2.4 dB	<±1.5 dB
6.46 GHz to 13.2 GHz	<±2.9 dB	<±2.0 dB
13.2 GHz to 26.5 GHz	<±4.0 dB	<±2.5 dB
30 Hz to 26.5 GHz ( <i>Option 006</i> )	<±4.0 dB	<±2.5 dB
9 kHz to 26.5 GHz ( <i>Non-option 006</i> )	<±4.0 dB	<±2.5 dB
<b>Band Switching Uncertainty</b>		
(Additional uncertainty added to Relative Frequency Response for measurements between any two bands)		<±1.0 dB
<b>Calibrator Uncertainty</b>		
-10 dBm, 300 MHz		<±0.3 dB

8563E/EC Specifications and Characteristics  
**Amplitude Specifications**

<p><b>Input Attenuator Switching Uncertainty</b>  (20 to 70 dB settings, referenced to 10 dB attenuation)</p> <p><b>Frequency Range</b></p> <p>9 kHz to 2.9 GHz</p> <p>30 Hz to 2.9 GHz (<i>Option 006</i>)</p>	<p>&lt;±0.6 dB/10 dB step, ±1.8 dB max.</p> <p>&lt;±0.6 dB/10 dB step, ±1.8 dB max.</p>
<p><b>IF Gain Uncertainty</b>  (0 dBm to –80 dBm reference levels with 10 dB input attenuation)</p>	<p>&lt;±1.0 dB</p>
<p><b>Resolution Bandwidth Switching Uncertainty</b>  (Referenced to 300 kHz resolution bandwidth at the reference level.)*</p>	<p>&lt;±0.5 dB</p>
<p>* Scale fidelity is not the same for RES BW ≤100 Hz as for RES BW ≥300 Hz. Therefore, signals not at the reference level will experience an additional amplitude difference when switching between these two sets of RES BW settings, due to differences in scale fidelity.</p>	

<p><b>Pulse Digitization Uncertainty</b>  (Pulse response mode, PRF &gt;720/sweep time)</p> <p>LOG</p> <p>Resolution Bandwidth <math>\leq</math> 1 MHz</p> <p>Resolution Bandwidth = 2 MHz</p> <p>LINEAR</p> <p>Resolution Bandwidth <math>\leq</math> 1 MHz</p> <p>Resolution Bandwidth = 2 MHz</p>	<p>&lt;1.25 dB peak-to-peak</p> <p>&lt;3 dB peak-to-peak</p> <p>&lt;4% of reference level peak-to-peak</p> <p>&lt;12% of reference level peak-to-peak</p>
<p><b>IF Alignment Uncertainty</b>  (additional uncertainty when using 300 Hz RES BW only)</p>	<p>&lt;<math>\pm</math>0.5 dB</p>

8563E/EC Specifications and Characteristics  
**Amplitude Specifications**

<p><b>Scale Fidelity*</b></p> <p>LOG</p> <p>Incremental</p> <p>0 to -90 dB range<sup>†</sup></p> <p>RES BW ≥ 300 Hz</p> <p>RES BW ≤ 100 Hz</p> <p>Cumulative</p> <p>0 to -90 dB range<sup>†</sup></p> <p>RES BW ≥ 300 Hz</p> <p>RES BW ≤ 100 Hz</p> <p>0 to -100 dB range<sup>†</sup></p> <p>RES BW ≥ 300 Hz</p> <p>RES BW ≤ 100 Hz</p> <p>LINEAR</p>	<p>&lt;±0.1 dB/dB</p> <p>&lt;±0.2 dB/2 dB</p> <p>&lt;±0.1 dB/dB from the reference level to a maximum of ±0.85 dB</p> <p>&lt;±0.2 dB/2 dB from the reference level to a maximum of ±0.85 dB</p> <p>±2.5 dB <i>characteristic</i></p> <p>maximum of ±1.5 dB</p> <p>&lt;±3% of reference level</p>
<p>* Scale fidelity is not the same for RES BW ≤100 Hz as for RES BW ≥ 300 Hz. Therefore, signals not at the reference level will experience an additional amplitude difference when switching between these two sets of RES BW settings due to the differences in scale fidelity.</p> <p>† 0 to -70 dB range for RES BW ≤100 Hz when SPAN = 0 Hz.</p>	

<p><b>Marker Amplitude Resolution*</b></p> <p>(Sweep time ≥ 30 ms)</p>	
Scale: LOG 10 dB/DIV	(1/6) dB
LOG 5 dB/DIV	(1/12) dB
LOG 2 dB/DIV	(1/30) dB
LOG 1 dB/DIV	(1/60) dB
LINEAR	Reference Level/600
<p>* In E-Series instruments markers are not available for sweep times &lt; 30 ms with RES BW ≥ 300 Hz without Option 007. For Option 007, see the characteristics section.</p>	



## Inputs and Outputs Specifications

**CAUTION** Any electrostatic discharge according to IEC 801-2/1991 to the center pins of any of the connectors may cause damage to the associated circuitry.

<b>IF INPUT</b>	
Connector	SMA female, front panel
Input level for full-screen deflections (external mixing mode, 0 dBm reference level, 30 dB conversion loss)	-30 dBm ± 1.5 dB

<b>GPIB</b>	
Connector	IEEE-488 bus connector
Interface Functions	SH1, AH1, T6, TE0, L4, LE0, SR1, RL1, PP1, DC1, DT1, C1, C28
Direct Plotter Output	Supports HP/Agilent 7225A, HP/Agilent 7440A, HP/Agilent 7470A, HP/Agilent 7475A, HP/Agilent 7550A
Direct Printer Output	Supports HP 3630A PaintJet, HP 2225A ThinkJet

<b>CAL OUTPUT</b>	
Connector	BNC female, front panel
Frequency	300 MHz ±(300 MHz × frequency reference accuracy <sup>†</sup> )
Amplitude	-10 dBm ±0.3 dB
<sup>†</sup> Frequency Reference Accuracy = (aging × period of time since adjustment + initial achievable accuracy + temperature stability).	

<b>1ST LO OUTPUT</b>	
Connector	SMA female, front panel
Amplitude	+16.5 dBm ±2.0 dB

<b>10 MHz REF IN/OUT</b>	
Connector	BNC female, rear panel
Output Frequency	10 MHz ±(10 MHz × frequency reference accuracy <sup>†</sup> )
<sup>†</sup> Frequency Reference Accuracy = (aging × period of time since adjustment + initial achievable accuracy + temperature stability).	

## General Specifications

### Environmental Specifications

*Military Specification per MIL-T-28800, Type III, Class 3, Style B (EC)/ Style C (E), as follows:*

Calibration Interval	2 years
Warmup	5 minutes from ambient conditions*
Temperature	
Operating	-10 °C to +55 °C (E) / 0 °C to +55 °C (EC)
Non-operating	-51 °C to +71 °C
Humidity	95% at 40 °C for 5 days
Altitude	
Operating	15,000 feet
Non-operating	50,000 feet
Rain resistance	Drip-proof at 16 liters/hour/square foot
Vibration	
5 to 15 Hz	0.060 inch peak-to-peak excursion
16 to 25 Hz	0.040 inch peak-to-peak excursion
26 to 55 Hz	0.020 inch peak-to-peak excursion
Pulse Shock	
Half Sine	30 g for 11 ms duration
Transit Drop	8 inch drop on 6 faces and 8 corners
Power Main	Voltage fluctuations within the range specified in the spectrum analyzer "Power Requirements."
Power Main	Operating environment within the limits of installation category II according to IEC 1010.
Pollution	Operating environment within the limits of pollution degree 2 according to IEC 664.

\* Two hours for conditions of internal condensation, 30 minutes to meet frequency response specifications without preselector peaking. When operating outside the 20 °C to 30 °C ambient temperature range, preselector peaking is always required to meet frequency response specifications.

<b>Electromagnetic Compatibility</b>	Conducted and radiated interference is in compliance with CISPR, Publication 11 (1990).
Military Specification	Meets the requirements of MIL-STD-461C, Part 2, with the exceptions shown below:
Conducted Emissions	
CE01 (Narrowband)	1 kHz to 15 kHz only
CE03 (Narrowband)	Full limits
CE03 (Broadband)	20 dB relaxation from 15 kHz to 100 kHz
Conducted Susceptibility	
CS01	Full Limits
CS02	Full Limits with 40 dB relaxation at IF frequencies. Refer also to “Radiated Immunity” in Amplitude Characteristics.
CS06	Full Limits
Radiated Emissions	
RE01	Test probe at 15 cm, front and rear panel search excluded.
RE02	Full limits to 1 GHz
Radiated Susceptibility	
RS03	Limited to 3 V/m from 14 kHz to 1 GHz with 40 dB relaxation at IF frequencies. Refer also to “Radiated Immunity” in Amplitude Characteristics.

8563E/EC Specifications and Characteristics  
**General Specifications**

<b>Power Requirements</b>	
115 Vac Operation	
Voltage	90 V to 140 V rms
Current	3.2 A rms maximum
Frequency	47 Hz to 440 Hz
230 Vac Operation	
Voltage	180 V to 250 V rms
Current	1.8 A rms maximum
Frequency	47 Hz to 66 Hz
Maximum Power Dissipation	180 W
<b>Audible Noise</b>	<5.0 Bels, 20 °C to 30 °C (ISO DP7779)
<b>Weight</b>	20 kg (44 lb)

**Dimensions**

With Handle and Front Cover:

(A) 202 mm (7-15/16 in) high

(C) 366 mm (14-7/16 in) wide

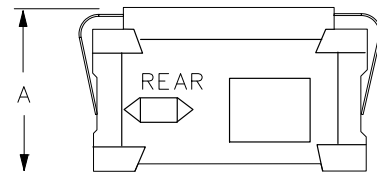
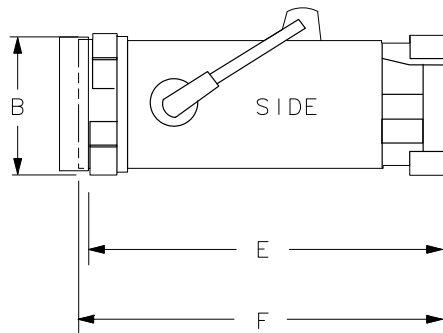
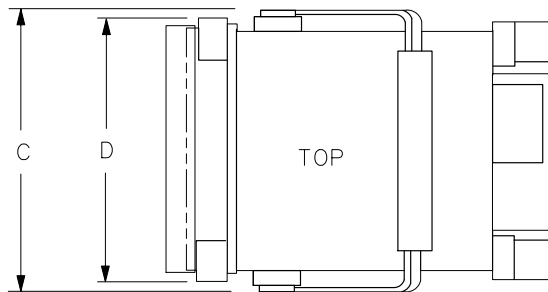
(F) 503 mm (19-13/16 in) deep

Without Handle and Front Cover:

(B) 187 mm (7-3/8 in) high

(D) 337 mm (13-1/4 in) wide

(E) 461 mm (18-1/8 in) deep



FORMAT 1

## Frequency Characteristics

These are not specifications. Characteristics provide useful information about instrument performance.

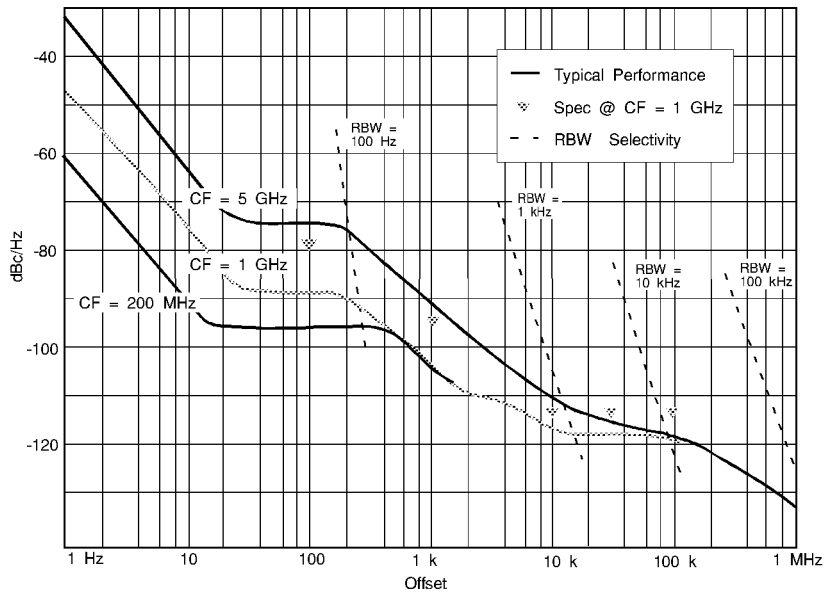
<b>Frequency Reference Accuracy</b>	
<i>Non-Option 103</i>	
Initial Achievable Accuracy  (includes gravitational sensitivity, retrace, and settability)	$<\pm 2.2 \times 10^{-8}$
Daily Aging (average over 7 days after being powered on for 7 days)	$<\pm 5 \times 10^{-10}$
Warmup  (Internal frequency reference selected)	
After 5 minutes	$<\pm 1 \times 10^{-7}$ of final frequency* (0 °C to +55 °C) $<\pm 1 \times 10^{-6}$ of final frequency* (-10 °C)
After 15 minutes	$<\pm 1 \times 10^{-8}$ of final frequency* (-10 °C to +55 °C)
<i>Option 103</i>	
Initial Achievable Accuracy	$<\pm 1 \times 10^{-6}$
* Final frequency is defined as frequency 60 minutes after power-on with analyzer set to internal frequency reference.	

<b>Bandwidth Selectivity</b>	
RES BW ≤100 Hz	<4.5:1
RES BW = 1 MHz	<8:1
RES BW = 2 MHz	<5.5:1

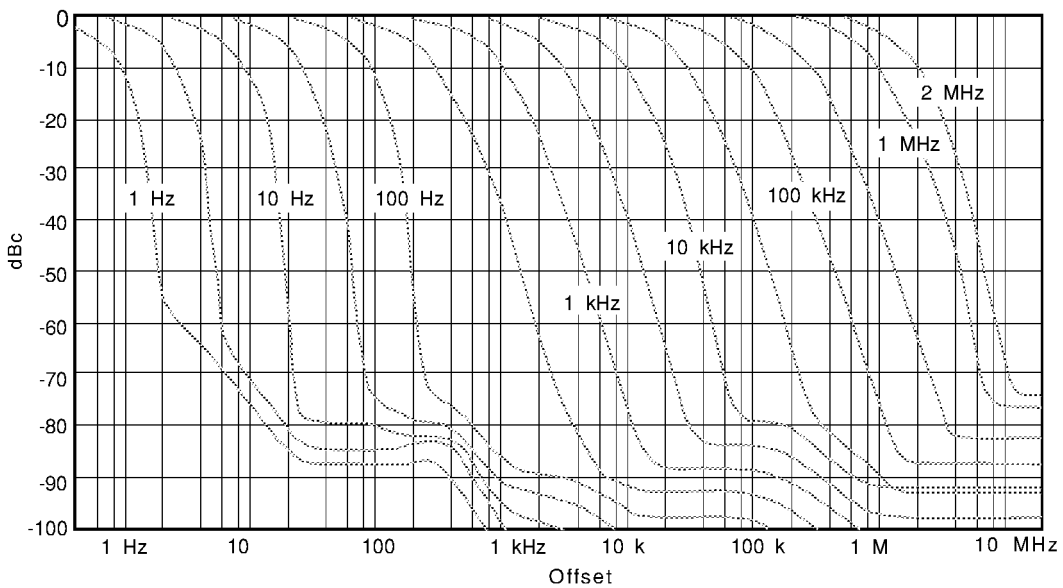
<b>Impulse Bandwidth</b>	
RES BW 2 MHz	2.93 MHz $\pm$ 10%
RES BW 1 MHz	1.60 MHz $\pm$ 7%
RES BW 300 kHz	491 kHz $\pm$ 7%
300 Hz $\leq$ RES BW $\leq$ 100 kHz	1.62 $\times$ RES BW $\pm$ 10%

<b>Stability</b>	
Noise Sidebands  For frequencies $\leq$ 1 GHz, 100 kHz offset from carrier, and frequency span $>$ 2 MHz	$\leq$ 121 dBc/Hz

**Figure 5-1** Noise Sidebands Normalized to 1 Hz BW versus Offset from Carrier



**Figure 5-2** Typical On-Screen Dynamic Range vs. Offset from 1 GHz Center Freq. for all RBW's





## Sweep

<b>Sweep Time Accuracy</b> Span $\geq 100$ Hz	$< \pm 15\%$
--	--------------

<b>Resolution Bandwidth Usability* (Non-Option 103)</b>			
<b>RES BW</b>	<b>Maximum Usable Frequency</b>		
	<b>Video Average OFF</b>	<b>Video Average ON, 10 Video Averages</b>	
		<b>Source/Spectrum Analyzer Frequency References</b>	
		<b>Locked<sup>†</sup></b>	<b>Independent<sup>‡</sup></b>
$\geq 30$ Hz	$> 26.5$ GHz	$> 26.5$ GHz	$> 26.5$ GHz
10 Hz	$> 26.5$ GHz	$> 26.5$ GHz	$> 26.5$ GHz
3 Hz	$> 26.5$ GHz	$> 26.5$ GHz	2 GHz
1 Hz	$> 26.5$ GHz	$> 26.5$ GHz	200 MHz

\* Resolution Bandwidth Usability is the maximum usable frequency for a given resolution bandwidth. The maximum usable frequency is limited by signal instability resulting from spectrum analyzer residual FM during the measurement interval. Measurements at frequencies less than the maximum usable frequency will have a typical amplitude uncertainty of less than 1 dB. These characteristics apply after a 30 minute warmup.

<sup>†</sup> Source and spectrum analyzer share the same frequency reference.

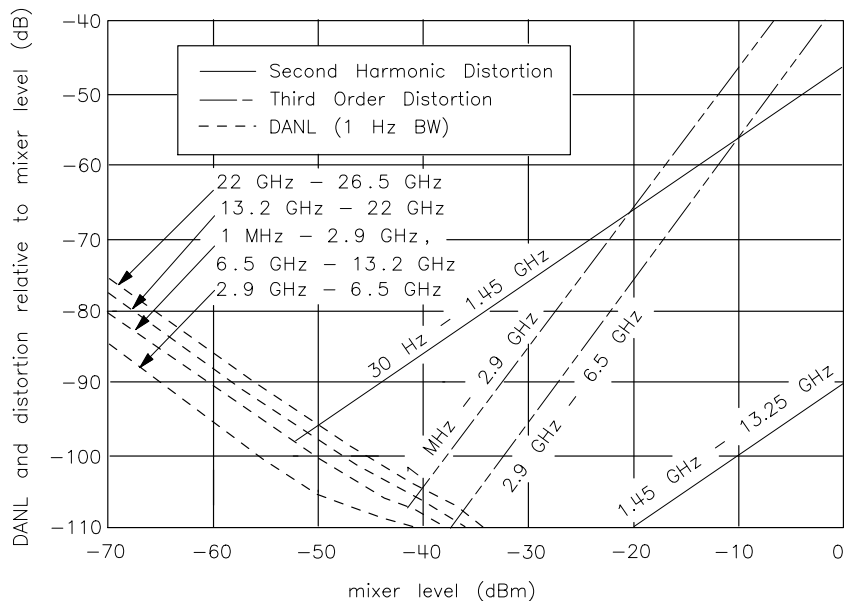
<sup>‡</sup> Source and spectrum analyzer do not share the same frequency reference.

## Amplitude Characteristics

### Dynamic Range

**Figure 5-3**

#### Nominal Dynamic Range



dp130e

### Amplitude Measurement Range

Spurious Responses	Frequency Range	Distortion
(all input related spurious responses <1 kHz from the carrier)	10 MHz to 2.9 GHz	<-55 dBc

### Amplitude Accuracy

Band-to-Band Frequency Response	Band-to-Band Frequency Response (dB)					
		Band 0	Band 1	Band 2	Band 3A	Band 3B
Frequency response uncertainty for measurements between any two internal mixing bands. Equivalent to the sum of the two Relative Frequency Response values plus Band Switching Uncertainty.	<b>Band 0</b>	n/a	3.75 dB	4.45 dB	4.75 dB	5.55 dB
	<b>Band 1</b>	3.75 dB	n/a	4.7 dB	5.0 dB	5.8 dB
	<b>Band 2</b>	4.45 dB	4.7 dB	n/a	5.7 dB	6.5 dB
	<b>Band 3A</b>	4.75 dB	5.0 dB	5.7 dB	n/a	6.8 dB
	<b>Band 3B</b>	5.55 dB	5.8 dB	6.5 dB	6.8 dB	n/a
<b>Band 0</b>	30 Hz to 2.9 GHz					
<b>Band 1</b>	2.9 GHz to 6.46 GHz					
<b>Band 2</b>	6.46 GHz to 13.2 GHz					
<b>Band 3A</b>	13.2 GHz to 22 GHz					
<b>Band 3B</b>	22 GHz to 26.5 GHz					

<b>Input Attenuator Repeatability</b>	<±0.2 dB
---------------------------------------	----------

<b>Input Attenuator Accuracy</b>	
2.9 GHz to 18 GHz	<±1.5 dB/10 dB step, ±3.0 dB max.
18 GHz to 26.5 GHz	<±3.0 dB/10 dB step, ±6.0 dB max.

<b>Pulse Digitization Uncertainty</b>	
(Pulse response mode, PRF >720/sweep time)	
Standard Deviation	<0.2 dB

<b>Marker Amplitude Resolution</b>	
	EC-Series and E-Series with Option 007, sweep time < 30 ms, zero span
Scale:	LOG 10 dB/DIV $\leq (1/2)$ dB
	LOG 5 dB/DIV $\leq (1/4)$ dB
	LOG 2 dB/DIV $\leq (1/10)$ dB
	LOG 1 dB/DIV $\leq (1/20)$ dB
	LINEAR $\leq$ Reference Level/200

### **Demodulation**

<b>Spectrum Demodulation</b>	
Modulation Type	AM and FM (5 kHz peak deviation)
Audio Output	Internal speaker and phone jack with volume control.
Pause Time at Marker Frequency	100 ms to 60 s

### **Radiated Immunity**

<b>Radiated Immunity</b>
When tested at 3 V/m according to IEC 801-3/1984 the displayed average noise level will be within specifications over the full immunity test frequency range of 27 to 500 MHz except that at the immunity test frequency of 310.7 MHz $\pm$ selected resolution bandwidth the displayed average noise level may be up to -80 dBm. When the analyzer tuned frequency is identical to the immunity test signal frequency there may be signals of up to -90 dBm displayed on the screen.

## Inputs and Outputs Characteristics

**CAUTION** Any electrostatic discharge according to IEC 801-2/1991 to the center pins of any of the connectors may cause damage to the associated circuitry.

<b>INPUT 50Ω</b>	
Connector	Precision Type N female, front panel
Impedance	50 Ω
VSWR (at tuned frequency)	<1.5:1 for <2.9 GHz and ≥10 dB Input Attenuation <2.3:1 for <2.9 GHz and ≥10 dB Input Attenuation <3.0:1 for 0 dB Input Attenuation
LO Emission Level* (average)	
10 dB Input Attenuation	<-80 dBm
* Level of 1st LO, 3.0 to 6.8 GHz, present at INPUT 50Ω connector.	

<b>IF INPUT</b> ( <i>Deleted on Option 002 and Option 327</i> )	
(2nd IF input for use with external mixers)	
Connector	SMA female, front panel
Impedance (dc coupled)	50 Ω
Frequency	310.7 MHz
Noise Figure	7 dB
1 dB Gain Compression Level	-23 dBm
Full Screen Level	-30 dBm
(Gain Compression and Full Screen Levels apply with 30 dB conversion loss setting and 0 dBm reference level.)	

<b>1ST LO OUTPUT</b>	
Connector	SMA female, front panel
Impedance	50 Ω
Frequency Range	3.0000 GHz to 6.8107 GHz <sup>†</sup>
<sup>†</sup> 3.8107 GHz to 6.8107 GHz for analyzers equipped with Option 002.	

8563E/EC Specifications and Characteristics  
**Inputs and Outputs Characteristics**

<b>CAL OUTPUT</b>	
Connector	BNC female, front panel
Impedance	50 Ω

<b>10 MHz REF IN/OUT</b>	
Connector	BNC female, rear panel
Impedance	50 Ω
Output Amplitude	0 dBm
Input Frequency	10 MHz × (1±2×10 <sup>-5</sup> )
Input Amplitude	-2 to +10 dBm
External Reference Phase Noise	
Analyzer noise sideband performance will not be degraded if the external reference phase noise is within the limits given below.	
<i>Non-Option 103</i>	<-135 dBc/Hz at 100 Hz offset
<i>Option 103</i>	<-110 dBc/Hz at 100 Hz offset

<b>VIDEO OUTPUT*</b>	
Connector	BNC female, rear panel
Impedance (dc coupled)	50 Ω
Amplitude (RES BW ≥300 Hz)	0 to +1 V full scale
Scaling	
RES BW ≥300 Hz	linear or log 100 dB/V
RES BW ≤100 Hz	4.8 kHz, auto-ranged level with dc offset

\* The VIDEO OUTPUT is a video signal for RES BW ≥300 Hz with switching transients and IF ADJ signals between sweeps. For RES BW ≤100 Hz the output is an IF signal with transients and IF ADJ signals between and during sweeps.

<b>LO SWP FAV OUTPUT and          LO SWP 0.5 V/GHz OUTPUT*</b>  Connector  Impedance (dc coupled)  LO SWP OUTPUT (no load)  0.5 V/GHz OUTPUT  Internal Mixer Mode  External Mixer Mode  0.25 V/GHz OUTPUT <sup>†</sup>	BNC female, rear panel  120 Ω  0 to + 10 V   0.5 V/GHz of tuned frequency (no load)  $[(1.5 \text{ V/GHz}) \times \text{LO frequency}] - 0.2054 \text{ V} \pm 50 \text{ mV}$  0.25 V/GHz of tuned frequency (no load)
<p>* This connector is labeled LO SWP   0.5 V/GHz OUTPUT on older spectrum analyzers and LO SWP   FAV OUTPUT on newer spectrum analyzers.</p> <p><sup>†</sup> The 0.25 V/GHz output is available only in the Agilent 8564E and Agilent 8565E.</p>	

<b>BLKG/GATE OUTPUT</b>  Connector  Impedance  Blanking Mode  Amplitude during sweep  Amplitude during retrace  Gate Mode  Gate On  Gate Off	BNC female, rear panel  50 Ω   Low TTL Level  High TTL Level   High TTL level  Low TTL level
--	--

<b>EXT/GATE TRIG INPUT</b>  Connector  Impedance  Trigger Level	BNC female, rear panel  10 kΩ  Settable to high TTL, or low TTL, or edge triggered TTL
---	--

<b>PROBE POWER</b> (front panel)  Voltage  Current	+15 V dc, -12.6 V dc  150 mA maximum, each
--	--

8563E/EC Specifications and Characteristics  
**Inputs and Outputs Characteristics**

<b>EARPHONE</b>	
Connector	1/8 inch miniature monophonic jack, rear panel
Power Output	0.2 W into 4 $\Omega$


<b>2ND IF OUT</b>			
<i>(Option 001 instruments only)</i>			
Connector	SMA female, rear panel		
Impedance	50 $\Omega$		
Frequency	310.7 MHz		
<b>Frequency Range</b>	<b>3 dB BW</b>	<b>Noise Figure</b>	<b>Conversion Gain</b>
10 kHz to 2.9 GHz			
serial number prefix <3645A	>28 MHz	25 dB	-15 dB
serial number prefix $\geq$ 3645A	>28 MHz	20 dB	- 8 dB
2.9 GHz to 6.5 GHz	>30 MHz	22 dB	-3 dB
6.5 GHz to 13.2 GHz	>30 MHz	26 dB	-7 dB
13.2 GHz to 22 GHz	>30 MHz	30 dB	-11 dB
22 GHz to 26.5 GHz	>30 MHz	32 dB	-13 dB

<b>ALT SWEEP OUT</b>	
<i>(Option 005 analyzers only)</i>	
Connector	BNC female, rear panel
Impedance	100 $\Omega$




## Regulatory Information

The following information applies to the Agilent 8563EC spectrum analyzer.

<b>DECLARATION OF CONFORMITY</b> According to ISO/IEC Guide 22 and CEN/CENELEC EN 45014	
<b>Manufacturer's Name:</b>	Agilent Technologies, Inc.
<b>Manufacturer's Address:</b>	1400 Fountaingrove Parkway Santa Rosa, CA 95403-1799 USA
Declares that the products	
<b>Product Name:</b>	Spectrum Analyzer
<b>Model Number:</b>	8560EC, 8561EC, 8562EC, 8563EC, 8564EC, 8565EC
<b>Product Options:</b>	This declaration covers all options of the above products.
Conform to the following product specifications:	
EMC: IEC 61326-1:1997+A1:1998 / EN 61326-1:1997+A1:1998	
<u>Standard</u>	<u>Limit</u>
CISPR 11:1990 / EN 55011-1991	Group 1, Class A
IEC 61000-4-2:1995+A1998 / EN 61000-4-2:1995	4 kV CD, 8 kV AD
IEC 61000-4-3:1995 / EN 61000-4-3:1995	3 V/m, 80 - 1000 MHz
IEC 61000-4-4:1995 / EN 61000-4-4:1995	0.5 kV sig., 1 kV power
IEC 61000-4-5:1995 / EN 61000-4-5:1996	0.5 kV L-L, 1 kV L-G
IEC 61000-4-6:1996 / EN 61000-4-6:1998	3 V, 0.15 - 80 MHz
IEC 61000-4-11:1994 / EN 61000-4-11:1998	1 cycle, 100%
Safety: IEC 61010-1:1990 + A1:1992 + A2:1995 / EN 61010-1:1993 +A2:1995 CAN/CSA-C22.2 No. 1010.1-92	
<b>Supplementary Information:</b> The products herewith comply with the requirements of the Low Voltage Directive 73/23/EEC and the EMC Directive 89/336/EEC and carry the CE-marking accordingly.	
Santa Rosa, CA, USA	
18 Jan. 2000	Greg Pfeiffer/Quality Engineering Manager
For further information, please contact your local Agilent Technologies sales office, agent or distributor.	

The following information applies to the 8563E spectrum analyzer.

<b>DECLARATION OF CONFORMITY</b>	
According to ISO/IEC Guide 22 and CEN/CENELEC EN 45014	
<b>Manufacturer's Name:</b>	Agilent Technologies, Inc.
<b>Manufacturer's Address:</b>	1400 Fountaingrove Parkway Santa Rosa, CA 95403-1799 USA
Declares that the products	
<b>Product Name:</b>	Spectrum Analyzer
<b>Model Number:</b>	8560E, 8560EL, 8561E, 8562E, 8562EL, 8563E, 8564E, 8565E
<b>Product Options:</b>	This declaration covers all options of the above products.
Conform to the following product specifications:	
<u>Standard</u>	<u>Limit</u>
EMC: CISPR 11:1990 / EN 55011-1991	Group 1, Class A
IEC 801-2:1984/EN 50082-1:1992	4 kV CD, 8 kV AD
IEC 801-3:1984/EN 50082-1:1992	3 V/m, 80 - 1000 MHz
IEC 801-4:1988/EN 50082-1:1992	0.5 kV sig., 1 kV power
Safety: IEC 61010-1:1990 + A1:1992 + A2:1995 / EN 61010-1:1993 +A2:1995 CAN/CSA-C22.2 No. 1010.1-92	
<b>Supplementary Information:</b> The products herewith comply with the requirements of the Low Voltage Directive 73/23/EEC and the EMC Directive 89/336/EEC and carry the CE-marking accordingly.	
	
Santa Rosa, CA, USA	1 Nov. 2000
Greg Pfeiffer/Quality Engineering Manager	
For further information, please contact your local Agilent Technologies sales office, agent or distributor.	

### **Notice for Germany: Noise Declaration**

L<sub>pA</sub> < 70 dB am Arbeitsplatz (operator position) normaler Betrieb (normal position) nach DIN 45635 T. 19 (per ISO 7779)

### **CE: European Community**

The product design was approved for the European Community.

### **ISM1-A: Industrial Scientific and Medical Group 1, Class A**

The instrument meets the requirements of CISPER 11, Clause 4.

### **CSA: Canadian Standards Association**

The CSA mark is a registered trademark of the Canadian Standards Association. The product meets the requirements.

### **IEC: International Electrotechnical Commission**

This instrument has been designed and tested in accordance with IEC Publication 1010, Safety Requirements for Electronic Measuring Apparatus, and has been supplied in a safe condition. The instruction documentation contains information and warnings which must be followed by the user to ensure safe operation and to maintain the instrument in a safe condition.

This product conforms to Enclosure Protection IP 2 0 according to IEC-529. The enclosure protects against finger access to hazardous parts within the enclosure; the enclosure does not protect against the entrance of water.





## Specifications and Characteristics

The following tables list the spectrum analyzer specifications.

Unless stated otherwise, all specifications describe the analyzer warranted performance under the following conditions:

- Five-minute warmup for ambient conditions
- Autocoupled controls
- Preselector peaked at the signal of interest
- Digital trace display
- IF ADJ ON
- REF LVL CAL adjusted
- 1ST LO OUTPUT terminated in 50 ohms
- 2ND IF OUTPUT terminated in 50 ohms
- One-year calibration cycle (See “Calibration Cycle” below.)
- Environmental requirements met

After a 30-minute warmup at a temperature between 20 °C and 30 °C, the preselector does not have to be peaked at each signal of interest. Factory preselector-peak values are sufficient to meet all specifications.

---

**NOTE**

REF LVL ADJ uses the CAL OUTPUT signal to calibrate the reference level. How often this adjustment should be performed depends on internal temperature changes. Amplitude temperature drift is a nominal 1 dB/10 °C. The nominal temperature drift is 10 °C, most of which occurs during the first 30 minutes after power-on. Internal temperature equilibrium is reached after 2 hours of operation at a stable ambient temperature.

Characteristics provide useful information in the form of typical, nominal, or approximate values for analyzer performance. Tables of the spectrum analyzer characteristics follow the specifications.

## **Calibration Cycle**

The performance tests located in Chapter 2 should be used once every year to check the analyzer against the specifications listed in this chapter.

The frequency reference needs to be adjusted as well as checked at the same time. Refer to the 10 MHz Frequency Reference Adjustment in the *Agilent Technologies 8564E/EC and Agilent Technologies 8565E/EC Spectrum Analyzers Service Guide*.

## Frequency Specifications

<b>Frequency Range</b>				
Internal Mixing				
<i>Non-Option 006</i>				
9 kHz to 40 GHz				
<i>Option 006</i>				
30 Hz to 40 GHz				
Internal Mixing Bands				
		<b>Frequency Range</b>	<b>Harmonic Mixing Mode N*</b>	
Band 0 <i>Non-Option 006</i>		9 kHz to 2.9 GHz	1–	
Band 0 <i>Option 006</i>		30 Hz to 2.9 GHz	1–	
Band 1		2.75 GHz to 6.46 GHz	1–	
Band 2		5.86 GHz to 13.2 GHz	2–	
Band 3		12.4 GHz to 26.8 GHz	4–	
Band 4		26.4 GHz to 31.15 GHz	4	
Band 5		31.0 GHz to 40 GHz	8–	
External Mixing				
18 GHz to 325 GHz				
External Mixing Bands				
<b>Frequency Band</b>		<b>Frequency Range</b>	<b>Harmonic Mixing Mode (N*)</b>	
			<b>Preselected</b>	<b>Unpreselected</b>
K		18.0 to 26.5	n/a	6–
A		26.5 to 40.0	8+	8–
Q		33.0 to 50.0	10+	10–
U		40.0 to 60.0	10+	10–
V		50.0 to 75.0	14+	14–
E		60.0 to 90.0	n/a	16–
W		75.0 to 110.0	18+	18–
F		90.0 to 140.0	n/a	24–
D		110.0 to 170.0	n/a	30–
G		140.0 to 220.0	n/a	36–
Y		170.0 to 260.0	n/a	44–
J		220.0 to 325.0	n/a	54–
<p>* N is the harmonic mixing mode. For negative mixing modes (as indicated by the “–”), the desired 1st LO harmonic is higher than the tuned frequency by the 1st IF. For positive mixing modes, (as indicated by the “+”), the desired LO Harmonic is lower than the tuned frequency by the 1st IF. The 1st IF is 3.9107 GHz for internal mixing bands 0, 4, and 5, and 310.7 MHz for all other internal mixing bands and all external mixing bands.</p>				



<p><b>Frequency Readout Accuracy</b></p> <p>Accuracy of START, CENTER, STOP or MARKER frequency</p> <p>SPAN &gt; 2 MHz × N*</p> <p>SPAN ≤ 2 MHz × N*</p>	<p>&lt;±(frequency readout × frequency reference accuracy<sup>†</sup> + 5% of frequency span + 15% of resolution bandwidth + 10 Hz)</p> <p>&lt;±(frequency readout × frequency reference accuracy<sup>†</sup> + 1% of frequency span + 15% of resolution bandwidth + 10 Hz)</p>
<p>* N is the harmonic mixing mode.</p> <p><sup>†</sup> frequency reference accuracy = (aging × period of time since adjustment) + initial achievable accuracy + temperature stability.</p>	

<p><b>Frequency Count Marker</b></p> <p>Frequency Count Marker Resolution</p> <p>Frequency Count Marker Accuracy (for signal-to-noise ratio ≥25 dB)</p> <p>Delta Frequency Count Accuracy (for signal-to-noise ratio ≥25 dB)</p>	<p>Selectable from 1 Hz to 1 MHz</p> <p>&lt;±(marker frequency × frequency reference accuracy<sup>‡</sup> + 2 Hz × N<sup>†</sup> + 1 LSD)</p> <p>&lt;±(delta frequency × frequency reference accuracy<sup>‡</sup> + 4 Hz × N<sup>†</sup> + 2 LSD)</p>
<p><sup>†</sup> N is the harmonic mixing mode.</p> <p><sup>‡</sup> Frequency Reference Accuracy = (aging × period of time since adjustment + initial achievable accuracy + temperature stability).</p>	

8564E/EC Specifications and Characteristics  
**Frequency Specifications**

<b>Frequency Reference Accuracy</b>	
<i>Non-Option 103</i>	
Aging	$<\pm 0.5 \times 10^{-9}/\text{day}$ (after 7 day warmup)
	$<\pm 1 \times 10^{-7}/\text{year}$
Temperature Stability	$<\pm 1 \times 10^{-8}$ , $-10\text{ }^{\circ}\text{C}$ to $+55\text{ }^{\circ}\text{C}$ , referenced to $25\text{ }^{\circ}\text{C}$
<i>Option 103</i>	
Aging	$<\pm 2 \times 10^{-6}/\text{year}$
Stability	$<\pm 1 \times 10^{-6}$
Temperature Stability	$<\pm 1 \times 10^{-6}$ , $-10\text{ }^{\circ}\text{C}$ to $+55\text{ }^{\circ}\text{C}$ , referenced to $25\text{ }^{\circ}\text{C}$

<b>Stability</b>		
Residual FM		
(zero span, 10 Hz RES BW)		
<i>Non-Option 103</i>	< 1.0 Hz × N* peak-to-peak in 20 ms <sup>†</sup>	
<i>Option 103</i>	< 10 Hz × N* peak-to-peak in 20 ms	
Noise Sidebands		
For Frequencies ≤ 1 GHz		
(Refer to the characteristics section for frequencies > 2.9 GHz)		
<b>Offset</b>	<b>Non-Option 103</b>	<b>Option 103</b>
100 Hz		
serial number prefix <3510A	<−80 dBc/Hz <sup>‡</sup>	<−70 dBc/Hz <sup>‡</sup>
serial number prefix ≥3510A	<−88 dBc/Hz <sup>‡</sup>	<−70 dBc/Hz <sup>‡</sup>
1 kHz	<−97 dBc/Hz <sup>‡</sup>	<−90 dBc/Hz <sup>‡</sup>
10 kHz <sup>**</sup>	<−113 dBc/Hz <sup>§</sup>	<−113 dBc/Hz <sup>§</sup>
100 kHz <sup>††</sup>		
serial number prefix <3510A	<−116 dBc/Hz <sup>#</sup>	<−116 dBc/Hz <sup>#</sup>
serial number prefix ≥3510A	<−117 dBc/Hz <sup>#</sup>	<−117 dBc/Hz <sup>#</sup>
* N is the harmonic mixing mode.		
<sup>†</sup> See Resolution Bandwidth Usability in “Frequency Characteristics” for further information.		
<sup>‡</sup> Add 5.2 dB × (f/1 GHz) − 1) for f > 1 GHz and f ≤ 2.9 GHz.		
<sup>§</sup> Add 2.5 dB × (f/1 GHz) − 1) for f > 1 GHz and f ≤ 2.9 GHz.		
<sup>#</sup> Add 3.0 dB × (f/1 GHz) − 1) for f > 1 GHz and f ≤ 2.9 GHz.		
<sup>**</sup> Add 2.0 dB for frequencies > 1 GHz and ≤ 2.9 GHz		
<sup>††</sup> For resolution bandwidth ≤ 1 kHz or frequency span ≤ 745 kHz.		
<sup>‡‡</sup> For resolution bandwidth ≥ 3 kHz or frequency span > 745 kHz.		

8564E/EC Specifications and Characteristics  
**Frequency Specifications**

<b>Frequency Span</b>	
Range	
Internal Mixing	0 Hz, 100 Hz to 13.2 GHz over the 10-division display horizontal axis, variable in approximately 1% increments, or in a 1, 2, 5 sequence.
External Mixing <sup>†</sup>	Minimum span = 100 Hz × N*
Accuracy	
SPAN > 2 MHz × N*	<±5%
SPAN ≤ 2 MHz × N*	<±1%
* N is the harmonic mixing mode.	
† Resolution bandwidths ≤100 Hz are not available in external mixing. External mixing is not available for Option 002 or Option 327.	

<b>Resolution Bandwidths (–3 dB)</b>	
Range*	
<i>Non-Option 103</i>	1 Hz to 1 MHz (selectable in a 1, 3, 10 sequence) and 2 MHz (3 MHz at –6 dB)
<i>Option 103</i>	10 Hz to 1 MHz (selectable in a 1, 3, 10 sequence) and 2 MHz (3 MHz at –6 dB)
Accuracy	
1 Hz to 300 kHz RES BW	<±10%
1 MHz RES BW	<±25%
2 MHz RES BW	<+50%, –25%
Selectivity (60 dB/3 dB bandwidth ratio)	
RES BW ≥300 Hz	<15:1
RES BW ≤100 Hz	<5:1
Bandwidth Shape	
1 and 2 MHz RES BW	Approximately Gaussian
300 Hz to 300 kHz RES BW	Synchronously tuned, 4-pole filters
1 Hz to 100 Hz RES BW	Digital, approximately Gaussian
* Resolution bandwidths ≤100 Hz are not available in external mixing.	

<b>Video Bandwidth</b>	
(Post-detection low-pass filter averages displayed noise for a smooth trace.)*	
Range	1 Hz to 3 MHz <sup>†</sup> in a 1, 3, 10 sequence
* Video bandwidth filtering is not available in resolution bandwidths ≤ 100 Hz when SPAN 0 Hz with firmware revisions 930809 and earlier.	
<sup>†</sup> The video bandwidth upper limit is 450 kHz in sample detection mode.	

## Sweep

<b>Sweep Time</b>	
Range	
Span = 0	
<i>Non-Option 007 (E-Series)</i>	
Analog display	50 $\mu$ s to <30 ms
Digital display	30 ms to 6,000 s
<i>Option 007 E-Series and all EC-Series instruments</i>	
Digital display	50 $\mu$ s to 6,000 s
Span $\geq$ 100 Hz	
RES BW $\geq$ 300 Hz	50 ms to 2,000 s
RES BW $\leq$ 100 Hz	50 ms to 100,000 s (span-dependent)
Accuracy (Span = 0 Hz)	
<i>Non-Option 007 (E-Series)</i>	
Sweep time 30 ms to 6,000 s	< $\pm$ 1%
Sweep time <30 ms	< $\pm$ 10%
<i>Option 007 E-Series and all EC-Series instruments</i>	
Sweep time 30 ms to 6,000 s	< $\pm$ 1%
Sweep time <30 ms	< $\pm$ 0.1%
Sweep Trigger	Delayed, Free Run, Single, Line, External, or Video <sup>#</sup>
<sup>#</sup> Video trigger is not available in RES BW settings $\leq$ 100 Hz.	

<b>Delayed Sweep</b>	
Trigger Modes	Free Run, Line, External, Video*
Range	
Span = 0	
<i>Non-Option 007</i> (E-Series)	+2 $\mu$ s to +65.535 ms
<i>Option 007</i> E-Series and all EC-Series instruments	
Sweep time $\geq$ 30 ms	+2 $\mu$ s to +65.535 ms
Sweep time < 30 ms	-9.9 ms to +65.535 ms <sup>††</sup>
Span $\geq$ 100 Hz	+2 $\mu$ s to +65.535 ms
Resolution	1 $\mu$ s
Accuracy <sup>#</sup>	$\pm$ 1 $\mu$ s
<p>* Video trigger is not available in RES BW settings <math>\leq</math> 100 Hz.</p> <p><sup>††</sup> Negative delayed sweep (pre-trigger) is also limited to <math>50 \times</math> sweep time.</p> <p><sup>#</sup> In E-Series instruments without Option 007, the delay time will be subject to up to <math>\pm 0.5 \mu</math>s of jitter due to synchronization of the input edge trigger to the internal 1 MHz timebase. In E-series instruments with Option 007 and in EC-series instruments using sweeptimes &lt;30 ms, the delay time will experience up to <math>\pm 83</math> ns of jitter due to synchronization of the input edge trigger to the internal 12 MHz timebase.</p>	

### Time-Gated Spectrum Analysis

<b>Gate Delay*</b>	<b>Edge Mode</b>	<b>Level Mode</b>
Range	3 $\mu$ s to 65.535 ms	$\leq 0.5 \mu$ s
Resolution	1 $\mu$ s	
Accuracy <sup>†</sup>	$< \pm 1 \mu$ s	

\* Time from GATE TRIGGER INPUT to positive edge of GATE OUTPUT.

<sup>†</sup> The gate delay time will experience up to  $\pm 0.5 \mu$ s of jitter due to synchronization of the input edge trigger to the internal 1 MHz timebase.

<b>Gate Length*</b>	
Range	1 $\mu$ s to 65.535 ms
Resolution	1 $\mu$ s
Accuracy	$< \pm 1 \mu$ s

\* Time from positive edge to negative edge of GATE OUTPUT.

<b>Marker Frequency Resolution</b>	SPAN/600 to a minimum of 1 Hz
------------------------------------	-------------------------------

<b>Marker Time Resolution</b>	Sweep time/600
-------------------------------	----------------



## Amplitude Specifications

### Measurement Range

<b>Maximum Safe Input Power</b>	
Average Continuous Power (input attenuation $\geq 10$ dB)	+30 dBm (1 W)
Peak Pulse Power (input attenuation $\geq 30$ dB)	+50 dBm (100 W) for pulse widths $\leq 10$ $\mu$ s and <1% duty cycle.
DC Voltage	< $\pm 0.2$ V

<b>Gain Compression</b>	
10 MHz to 2.9 GHz ( $\leq -5$ dBm at input mixer <sup>‡</sup> )	<1.0 dB
2.9 GHz to 6.46 GHz ( $\leq 0$ dBm at input mixer <sup>‡</sup> )	<1.0 dB
6.46 GHz to 26.8 GHz ( $\leq -3$ dBm at input mixer <sup>‡</sup> )	<1.0 dB
26.8 GHz to 40 GHz ( $\leq 0$ dBm at input mixer <sup>‡</sup> )	<1.0 dB m (characteristic)
<sup>‡</sup> Mixer level = input level – input attenuation.	

8564E/EC Specifications and Characteristics  
**Amplitude Specifications**

<b>Displayed Average Noise Level</b>		
With no signal at input, 1 Hz video bandwidth, and 0 dB input attenuation, tracking generator off.		
<b>Frequency Range</b>	<b>10 Hz RES BW</b>	<b>1 Hz RES BW</b>
	<i>(Option 103)</i>	<i>(Non-Option 103)</i>
30 Hz	<-80 dBm	<-90 dBm
1 kHz	<-95 dBm	<-105 dBm
10 kHz	<-110 dBm	<-120 dBm
100 kHz	<-110 dBm	<-120 dBm
1 MHz to 10 MHz	<-130 dBm	<-140 dBm
10 MHz to 2.9 GHz		
serial number prefix <3641A	<-130 dBm	<-140 dBm
serial number prefix ≥3641A	<-135 dBm	<-145 dBm
Option H13	<-135 dBm	<-145 dBm
2.9 GHz to 6.46 GHz	<-137 dBm	<-147 dBm
6.46 GHz to 13.2 GHz	<-133 dBm	<-143 dBm
13.2 GHz to 22.0 GHz	<-130 dBm	<-140 dBm
22.0 GHz to 26.8 GHz	<-126 dBm	<-136 dBm
26.8 GHz to 31.15 GHz	<-129 dBm	<-139 dBm
31.15 GHz to 40 GHz	<-120 dBm	<-130 dBm*
* Refer to Resolution Bandwidth Usability.		

<b>Spurious Responses</b>	<b>Mixer Level*</b>	<b>Distortion</b>
All input-related spurious responses, except as noted below.		
10 MHz to 40 GHz	-40 dBm	$<(-75 + 20 \log N^\dagger)$ dBc
<b>Second Harmonic Distortion</b>		
Applied Signal Frequency Range		
1 MHz to 1.45 GHz (serial number prefix <3641A)	-40 dBm	<-72 dBc
20 MHz to 1.45 GHz (serial number prefix $\geq$ 3641A)	-40 dBm	<-79 dBc
20 MHz to 1.45 GHz (Option H13)	-40 dBm	<-79 dBc
1.45 GHz to 2.0 GHz	-10 dBm	<-85 dBc
2.0 GHz to 20 GHz	-10 dBm	<-90 dBc
<b>Third Order Intermodulation Distortion</b>		
(with two signals at the input mixer, spaced by $\geq$ 1 kHz)*		
Frequency Range		
1 MHz to 2.9 GHz (serial number prefix <3641A)	-30 dBm each	<-78 dBc
20 MHz to 2.9 GHz (serial number prefix $\geq$ 3641A)	-30 dBm each	<-82 dBc
20 MHz to 2.9 GHz (Option H13)	-30 dBm each	<-82 dBc
2.9 GHz to 6.46 GHz	-30 dBm each	<-90 dBc
6.46 GHz to 26.8 GHz	-30 dBm each	<-75 dBc
26.8 GHz to 40 GHz ( <i>Characteristic</i> )	-30 dBm each	<-85 dBc
<b>Image Responses</b>		
Frequency Range		
10 MHz to 26.8 GHz	-10 dBm	<-80 dBc
26.8 GHz to 40 GHz	-30 dBm	<-60 dBc
<b>Multiple and Out-of-Band Responses</b>		
Frequency Range		
10 MHz to 26.8 GHz	-10 dBm	<-80 dBc
26.8 GHz to 40 GHz	-30 dBm	<-55 dBc
* Mixer level = input level – input attenuation.		
† N = harmonic mixing number		

<b>Residual Responses</b>	
>200 kHz with no signal at input, 0 dB input attenuation, $N^{\dagger} - 1$	<-90 dBm
$\dagger$ N harmonic mixing number	

### Display Range

<b>Amplitude Scale</b>	10 vertical display divisions, with the reference level (0 dB) at the top graticule line.
------------------------	---

<b>Calibration</b>	
LOG	10 dB/DIV for 100 dB display from reference level.* 5 dB/DIV for 50 dB display expanded from reference level. $\dagger$ 2 dB/DIV for 20 dB display expanded from reference level. 1 dB/DIV for 10 dB display expanded from reference level. $\dagger$
LINEAR	10% of reference level per division over the top nine divisions (all 10 divisions for RES BW $\leq$ 100 Hz) when calibrated in voltage.
* 10 dB/DIV for 70 dB display from reference level for RES BW $\leq$ 100 Hz when SPAN = 0 Hz.	
$\dagger$ In E-Series instruments these scales are not available for sweep times < 30 ms without Option 007.	

### Accuracy

<b>Reference Level Range</b>	
LOG, adjustable in 0.1 dB steps	
<b>Frequency Band</b>	<b>Range</b>
30 Hz to 31.15 GHz ( <i>Option 006</i> )	-120 dBm to +30 dBm
9 kHz to 31.15 GHz ( <i>Non-Option 006</i> )	-120 dBm to +30 dBm
31.15 GHz to 40 GHz	-115 dBm to +30 dBm
LINEAR, settable in 1% steps	
30 Hz to 31.15 GHz ( <i>Option 006</i> )	2.2 $\mu$ V to 7.07 V
9 kHz to 31.15 GHz ( <i>Non-Option 006</i> )	2.2 $\mu$ V to 7.07 V
31.15 GHz to 40 GHz	3.98 $\mu$ V to 7.07 V

### Reference Level Uncertainty

<b>Frequency Response</b> (with 10 dB input attenuation)		
Relative (referenced to midpoint between highest and lowest peak excursions)	-10 °C to 55 °C	20 °C to 30 °C
30 Hz to 2.9 GHz ( <i>Option 006</i> )	<±1.0 dB	<±0.8 dB
9 kHz to 2.9 GHz ( <i>Non-Option 006</i> )	<±1.0 dB	<±0.8 dB
100 MHz to 2.0 GHz (serial number prefix ≥3641A)	<±0.9 dB	<±0.8 dB
2.9 GHz to 6.46 GHz	<±1.7 dB	<±1.4 dB
6.46 GHz to 13.2 GHz	<±2.6 dB	<±2.2 dB
13.2 GHz to 22.0 GHz	<±2.5 dB	<±2.5 dB
22.0 GHz to 26.8 GHz	<±3.3 dB	<±2.2 dB
26.8 GHz to 31.15 GHz	<±3.1 dB	<±2.9 dB
31.15 GHz to 40 GHz	<±2.6 dB	<±2.4 dB
Absolute (referenced to 300 MHz CAL OUTPUT)		
30 Hz to 2.9 GHz ( <i>Option 006</i> )	<±1.5 dB	<±1.0 dB
9 kHz to 2.9 GHz ( <i>Non-Option 006</i> )	<±1.5 dB	<±1.0 dB
2.9 GHz to 6.46 GHz	<±2.6 dB	<±1.8 dB
6.46 GHz to 13.2 GHz	<±3.0 dB	<±2.8 dB
13.2 GHz to 22 GHz	<±4.0 dB	<±3.5 dB
22 GHz to 26.8 GHz	<±4.5 dB	<±4.0 dB
26.8 GHz to 31.15 GHz	<±4.0 dB	<±3.0 dB
31.15 GHz to 40 GHz	<±4.0 dB	<±3.2 dB

<b>Band Switching Uncertainty</b>	
(Additional uncertainty added to Relative Frequency Response for measurements between any two bands)	<±1.0 dB

<b>Calibrator Uncertainty</b>	
-10 dBm, 300 MHz	<±0.3 dB

8564E/EC Specifications and Characteristics  
**Amplitude Specifications**

<p><b>Input Attenuator Switching Uncertainty</b>  (20 to 70 dB settings, referenced to 10 dB attenuation)</p> <p><b>Frequency Range</b></p> <p>9 kHz to 2.9 GHz</p> <p>30 Hz to 2.9 GHz (<i>Option 006</i>)</p>	<p>&lt;±0.6 dB/10 dB step, ±1.8 dB max.</p> <p>&lt;±0.6 dB/10 dB step, ±1.8 dB max.</p>
<p><b>IF Gain Uncertainty</b>  (0 dBm to –80 dBm reference levels with 10 dB input attenuation)</p>	<p>&lt;±1.0 dB</p>
<p><b>Resolution Bandwidth Switching Uncertainty</b>  (Referenced to 300 kHz resolution bandwidth at the reference level.)*</p>	<p>&lt;±0.5 dB</p>
<p>* Scale fidelity is not the same for RES BW ≤100 Hz as for RES BW ≥300 Hz. Therefore, signals not at the reference level will experience an additional amplitude difference when switching between these two sets of RES BW settings, due to differences in scale fidelity.</p>	

<b>Pulse Digitization Uncertainty</b>	
(Pulse response mode, PRF >720/sweep time)	
LOG	
Resolution Bandwidth $\leq$ 1 MHz	<1.25 dB peak-to-peak
Resolution Bandwidth = 2 MHz	<3 dB peak-to-peak
LINEAR	
Resolution Bandwidth $\leq$ 1 MHz	<4% of reference level peak-to-peak
Resolution Bandwidth = 2 MHz	<12% of reference level peak-to-peak

<b>IF Alignment Uncertainty</b>	
(additional uncertainty when using 300 Hz RES BW only)	< $\pm$ 0.5 dB

8564E/EC Specifications and Characteristics  
**Amplitude Specifications**

<p><b>Scale Fidelity*</b></p> <p>LOG</p> <p>Incremental</p> <p>0 to -90 dB range<sup>†</sup></p> <p>RES BW ≥ 300 Hz</p> <p>RES BW ≤ 100 Hz</p> <p>Cumulative</p> <p>0 to -90 dB range<sup>†</sup></p> <p>RES BW ≥ 300 Hz</p> <p>RES BW ≤ 100 Hz</p> <p>0 to -100 dB range<sup>†</sup></p> <p>RES BW ≥ 300 Hz</p> <p>RES BW ≤ 100 Hz</p> <p>LINEAR</p>	<p>&lt;±0.1 dB/dB</p> <p>&lt;±0.2 dB/2 dB</p> <p>&lt;±0.1 dB/dB from the reference level to a maximum of ±0.85 dB</p> <p>&lt;±0.2 dB/2 dB from the reference level to a maximum of ±0.85 dB</p> <p>±2.5 dB <i>characteristic</i></p> <p>maximum of ±1.5 dB</p> <p>&lt;±3% of reference level</p>
<p>* Scale fidelity is not the same for RES BW ≤100 Hz as for RES BW ≥ 300 Hz. Therefore, signals not at the reference level will experience an additional amplitude difference when switching between these two sets of RES BW settings due to the differences in scale fidelity.</p> <p>† 0 to -70 dB range for RES BW ≤100 Hz when SPAN = 0 Hz.</p>	

<p><b>Marker Amplitude Resolution*</b></p> <p>(Sweep time ≥ 30 ms)</p>	
Scale: LOG 10 dB/DIV	(1/6) dB
LOG 5 dB/DIV	(1/12) dB
LOG 2 dB/DIV	(1/30) dB
LOG 1 dB/DIV	(1/60) dB
LINEAR	Reference Level/600
<p>* In E-Series instruments without Option 007 markers are not available for sweep times &lt; 30 ms with RES BW ≥ 300 Hz. For Option 007, see the characteristics section.</p>	



## Inputs and Outputs Specifications

**CAUTION** Any electrostatic discharge according to IEC 801-2/1991 to the center pins of any of the connectors may cause damage to the associated circuitry.

<b>IF INPUT</b>	
Connector	SMA female, front panel
Input level for full-screen deflections (external mixing mode, 0 dBm reference level, 30 dB conversion loss)	-30 dBm ± 1.5 dB

<b>GPIB</b>	
Connector	IEEE-488 bus connector
Interface Functions	SH1, AH1, T6, TE0, L4, LE0, SR1, RL1, PP1, DC1, DT1, C1, C28
Direct Plotter Output	Supports Agilent 7225A, Agilent 7440A, Agilent 7470A, Agilent 7475A, Agilent 7550A
Direct Printer Output	Supports HP 3630A PaintJet, HP 2225A ThinkJet

<b>CAL OUTPUT</b>	
Connector	BNC female, front panel
Frequency	300 MHz ±(300 MHz × frequency reference accuracy <sup>†</sup> )
Amplitude	-10 dBm ±0.3 dB
<sup>†</sup> Frequency Reference Accuracy = (aging × period of time since adjustment + initial achievable accuracy + temperature stability).	

<b>1ST LO OUTPUT</b>	
Connector	SMA female, front panel
Amplitude	+16.5 dBm ±2.0 dB

<b>10 MHz REF IN/OUT</b>	
Connector	BNC female, rear panel
Output Frequency	10 MHz ±(10 MHz × frequency reference accuracy <sup>†</sup> )
<sup>†</sup> Frequency Reference Accuracy = (aging × period of time since adjustment + initial achievable accuracy + temperature stability).	

## General Specifications

### Environmental Specifications

*Military Specification per MIL-T-28800, Type III, Class 3, Style B (EC)/Style C (E), as follows:*

Calibration Interval	1 year
Warmup	5 minutes from ambient conditions*
Temperature	
Operating	-10 °C to +55 °C (E) / 0 °C to +55 °C (EC)
Non-operating	-51 °C to +71 °C
Humidity	95% at 40 °C for 5 days
Altitude	
Operating	15,000 feet
Non-operating	50,000 feet
Rain resistance	Drip-proof at 16 liters/hour/square foot
Vibration	
5 to 15 Hz	0.060 inch peak-to-peak excursion
16 to 25 Hz	0.040 inch peak-to-peak excursion
26 to 55 Hz	0.020 inch peak-to-peak excursion
Pulse Shock	
Half Sine	30 g for 11 ms duration
Transit Drop	8 inch drop on 6 faces and 8 corners
Power Main	Voltage fluctuations within the range specified in the spectrum analyzer "Power Requirements."
Power Main	Operating environment within the limits of installation category II according to IEC 1010.
Pollution	Operating environment within the limits of pollution degree 2 according to IEC 664.

\* Two hours for conditions of internal condensation, 30 minutes to meet frequency response specifications without preselector peaking. When operating outside the 20 °C to 30 °C ambient temperature range, preselector peaking is always required to meet frequency response specifications.

<b>Electromagnetic Compatibility</b>	Conducted and radiated interference is in compliance with CISPR, Publication 11 (1990).
Military Specification	Meets the requirements of MIL-STD-461C, Part 2, with the exceptions shown below:
Conducted Emissions	
CE01 (Narrowband)	1 kHz to 15 kHz only
CE03 (Narrowband)	Full limits
CE03 (Broadband)	20 dB relaxation from 15 kHz to 100 kHz
Conducted Susceptibility	
CS01	Full Limits
CS02	Full Limits with 40 dB relaxation at IF frequencies. Refer also to “Radiated Immunity” in Amplitude Characteristics.
CS06	Full Limits
Radiated Emissions	
RE01	Test probe at 15 cm, front and rear panel search excluded.
RE02	Full limits to 1 GHz
Radiated Susceptibility	
RS03	Limited to 3 V/m from 14 kHz to 1 GHz with 40 dB relaxation at IF frequencies. Refer also to “Radiated Immunity” in Amplitude Characteristics.

8564E/EC Specifications and Characteristics  
**General Specifications**

<b>Power Requirements</b>	
115 Vac Operation	
Voltage	90 V to 140 V rms
Current	3.2 A rms maximum
Frequency	47 Hz to 440 Hz
230 Vac Operation	
Voltage	180 V to 250 V rms
Current	1.8 A rms maximum
Frequency	47 Hz to 66 Hz
Maximum Power Dissipation	180 W
<b>Audible Noise</b>	<5.0 Bels, 20 °C to 30 °C (ISO DP7779)
<b>Weight</b>	20 kg (44 lb)

**Dimensions**

With Handle and Front Cover:

(A) 202 mm (7-15/16 in) high

(C) 366 mm (14-7/16 in) wide

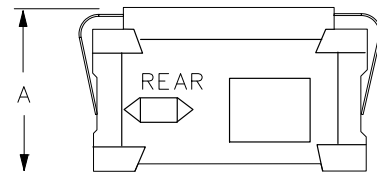
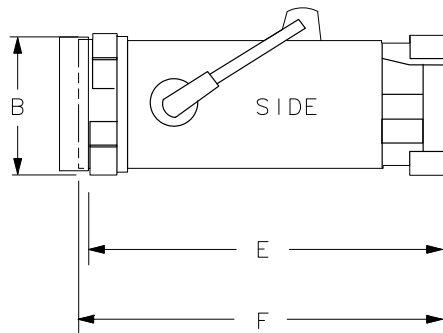
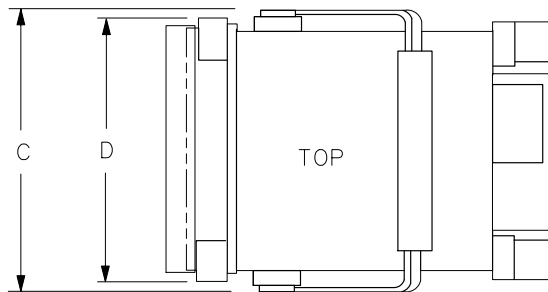
(F) 503 mm (19-13/16 in) deep

Without Handle and Front Cover:

(B) 187 mm (7-3/8 in) high

(D) 337 mm (13-1/4 in) wide

(E) 461 mm (18-1/8 in) deep



FORMAT 1

## Frequency Characteristics

These are not specifications. Characteristics provide useful information about instrument performance.

<b>Frequency Reference Accuracy</b>	
<i>Non-Option 103</i>	
Initial Achievable Accuracy  (includes gravitational sensitivity, retrace, and settability)	$<\pm 2.2 \times 10^{-8}$
Daily Aging (average over 7 days after being powered on for 7 days)	$<\pm 5 \times 10^{-10}$
Warmup  (Internal frequency reference selected)	
After 5 minutes	$<\pm 1 \times 10^{-7}$ of final frequency* (0 °C to +55 °C) $<\pm 1 \times 10^{-6}$ of final frequency* (-10 °C)
After 15 minutes	$<\pm 1 \times 10^{-8}$ of final frequency* (-10 °C to +55 °C)
<i>Option 103</i>	
Initial Achievable Accuracy	$<\pm 1 \times 10^{-6}$
* Final frequency is defined as frequency 60 minutes after power-on with analyzer set to internal frequency reference.	

<b>Bandwidth Selectivity</b>	
RES BW ≤ 100 Hz	<4.5:1
RES BW = 1 MHz	<8:1
RES BW = 2 MHz	<5.5:1

<b>Impulse Bandwidth</b>	
RES BW 2 MHz	2.93 MHz $\pm$ 10%
RES BW 1 MHz	1.60 MHz $\pm$ 7%
RES BW 300 kHz	491 kHz $\pm$ 7%
300 Hz $\leq$ RES BW $\leq$ 100 kHz	1.62 $\times$ RES BW $\pm$ 10%

<b>Stability</b>	
Noise Sidebands	
For frequencies $\leq$ 1 GHz, 100 kHz offset from carrier, and frequency span $>$ 2 MHz	$\leq$ 121 dBc/Hz

Figure 6-1 Noise Sidebands Normalized to 1 Hz BW versus Offset from Carrier

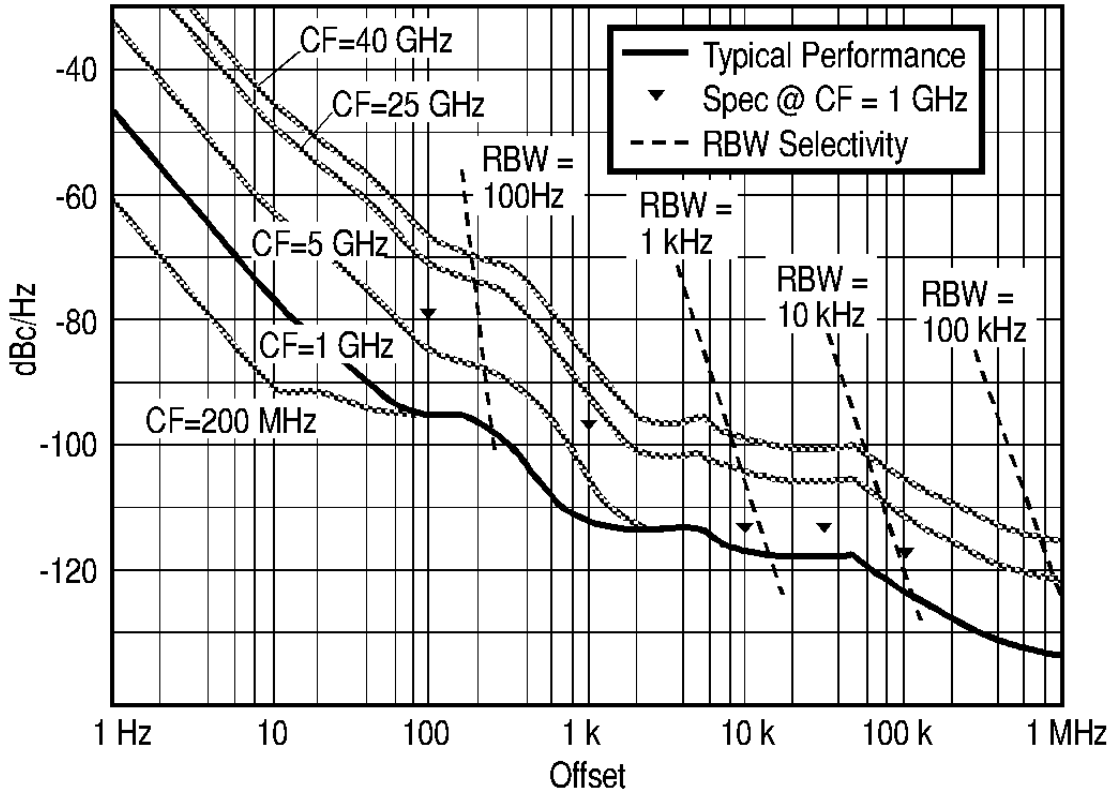
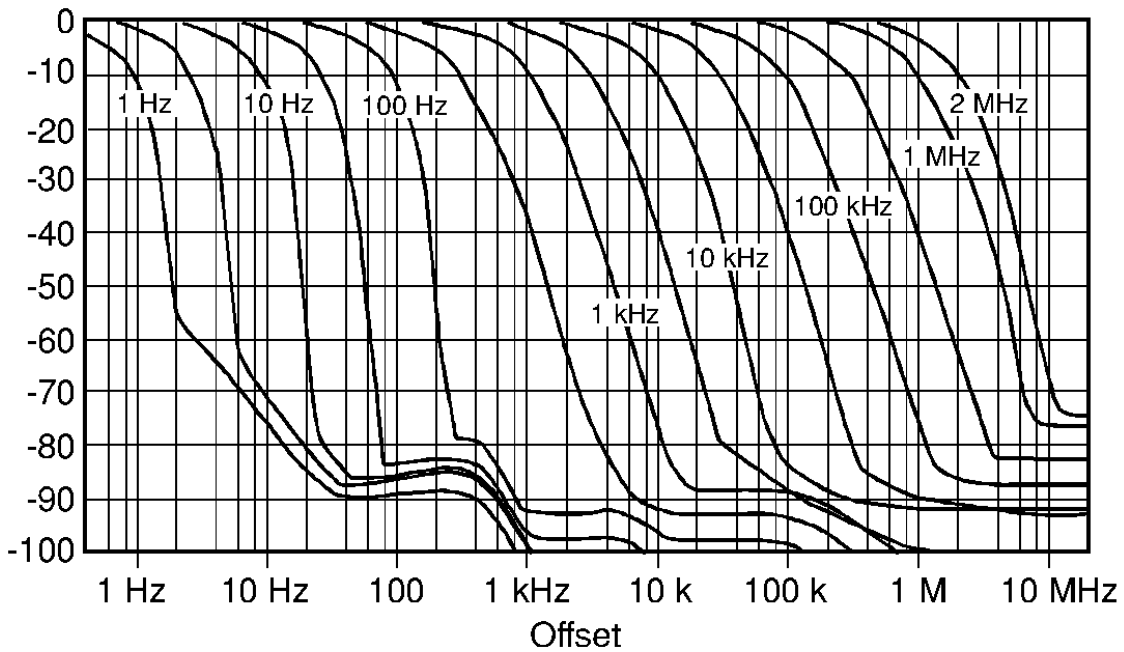


Figure 6-2 Typical On-Screen Dynamic Range vs. Offset from 1 GHz Center Freq. for all RBW's





## Sweep

<b>Sweep Time Accuracy</b> Span $\geq 100$ Hz	$< \pm 15\%$
--	--------------

<b>Resolution Bandwidth Usability* (Non-Option 103)</b>			
<b>RES BW</b>	<b>Maximum Usable Frequency</b>		
	<b>Video Average OFF</b>	<b>Video Average ON, 10 Video Averages</b>	
		<b>Source/Spectrum Analyzer Frequency References</b>	
		<b>Locked<sup>†</sup></b>	<b>Independent<sup>‡</sup></b>
$\geq 30$ Hz	$> 40$ GHz	$> 40$ GHz	$> 40$ GHz
10 Hz	$> 40$ GHz	$> 40$ GHz	$> 15$ GHz
3 Hz	$> 40$ GHz	$> 40$ GHz	2 GHz
1 Hz	$> 40$ GHz	$> 40$ GHz	200 MHz

\* Resolution Bandwidth Usability is the maximum usable frequency for a given resolution bandwidth. The maximum usable frequency is limited by signal instability resulting from spectrum analyzer residual FM during the measurement interval. Measurements at frequencies less than the maximum usable frequency will have a typical amplitude uncertainty of less than 1 dB. These characteristics apply after a 30 minute warmup.

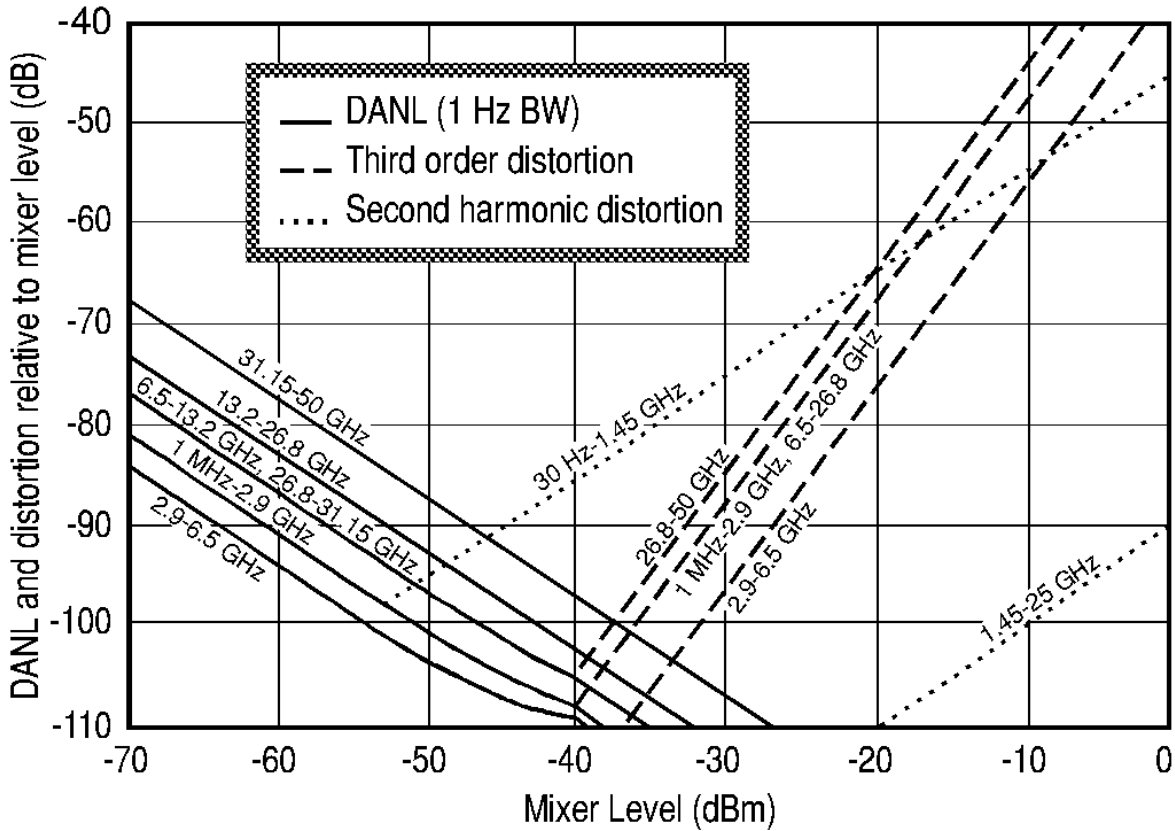
<sup>†</sup> Source and spectrum analyzer share the same frequency reference.

<sup>‡</sup> Source and spectrum analyzer do not share the same frequency reference.

## Amplitude Characteristics

### Dynamic Range

Figure 6-3 Nominal Dynamic Range



### Amplitude Measurement Range

Spurious Responses	Frequency Range	Distortion
(all input related spurious responses <1 kHz from the carrier)	10 MHz to 2.9 GHz	<-55 dBc

## Amplitude Accuracy

<b>Band-to-Band Frequency Response (dB)</b>							
Frequency response uncertainty for measurements between any two internal mixing bands. Equivalent to the sum of the two Relative Frequency Response values plus Band Switching Uncertainty.							
<b>Band 0.</b>	30 Hz to 2.9 GHz						
<b>Band 1.</b>	2.9 GHz to 6.46 GHz						
<b>Band 2.</b>	6.46 GHz to 13.2 GHz						
<b>Band 3A.</b>	13.2 GHz to 22 GHz						
<b>Band 3B.</b>	22 GHz to 26.8 GHz						
<b>Band 4.</b>	26.8 GHz to 31.15 GHz						
<b>Band 5.</b>	31.15 GHz to 40 GHz						
<b>Band-to-Band Frequency Response, 20 °C to 30 °C (dB peak-to-peak)</b>							
	<b>Band 0</b>	<b>Band 1</b>	<b>Band 2</b>	<b>Band 3A</b>	<b>Band 3B</b>	<b>Band 4</b>	<b>Band 5</b>
<b>Band 0</b>	n/a	3.2 dB	4.0 dB	4.3 dB	4.0 dB	4.7 dB	4.2 dB
<b>Band 1</b>	3.2 dB	n/a	4.6 dB	4.9 dB	4.6 dB	5.3 dB	4.8 dB
<b>Band 2</b>	4.0 dB	4.6 dB	n/a	5.7 dB	5.4 dB	6.1 dB	5.6 dB
<b>Band 3A</b>	4.3 dB	4.9 dB	5.7 dB	n/a	5.7 dB	6.4 dB	5.9 dB
<b>Band 3B</b>	4.0 dB	4.6 dB	5.4 dB	5.7 dB	n/a	6.1 dB	5.6 dB
<b>Band 4</b>	4.7 dB	5.3 dB	6.1 dB	6.4 dB	6.1 dB	n/a	6.3 dB
<b>Band 5</b>	4.2 dB	4.8 dB	5.6 dB	5.9 dB	5.6 dB	6.3 dB	n/a
<b>Band-to-Band Frequency Response, -10 °C to 55 °C (dB peak-to-peak)</b>							
	<b>Band 0</b>	<b>Band 1</b>	<b>Band 2</b>	<b>Band 3A</b>	<b>Band 3B</b>	<b>Band 4</b>	<b>Band 5</b>
<b>Band 0</b>	n/a	3.7 dB	4.6 dB	4.5 dB	5.3 dB	5.1 dB	4.6 dB
<b>Band 1</b>	3.7 dB	n/a	5.3 dB	5.2 dB	6.0 dB	5.8 dB	5.3 dB
<b>Band 2</b>	4.6 dB	5.3 dB	n/a	6.1 dB	6.9 dB	6.7 dB	6.2 dB
<b>Band 3A</b>	4.5 dB	5.2 dB	6.1 dB	n/a	6.8 dB	6.6 dB	6.1 dB
<b>Band 3B</b>	5.3 dB	6.0 dB	6.9 dB	6.8 dB	n/a	7.4 dB	6.9 dB
<b>Band 4</b>	5.1 dB	5.8 dB	6.7 dB	6.6 dB	7.4 dB	n/a	6.7 dB
<b>Band 5</b>	4.6 dB	5.3 dB	6.2 dB	6.1 dB	6.9 dB	6.7 dB	n/a

8564E/EC Specifications and Characteristics  
**Amplitude Characteristics**

<b>Input Attenuator Repeatability</b>	<±0.2 dB
<b>Input Attenuator Accuracy</b> 2.9 GHz to 18 GHz 18 GHz to 26.8 GHz 26.8 GHz to 40 GHz	<±1.5 dB/10 dB step, ±3.0 dB max. <±3.0 dB/10 dB step, ±6.0 dB max. <±3.0 dB/10 dB step, ±6.0 dB max.
<b>Pulse Digitization Uncertainty</b> (Pulse response mode, PRF >720/sweep time) Standard Deviation	<0.2 dB

<b>Marker Amplitude Resolution</b>	
(EC-Series instruments and E-Series instruments with Option 007, sweep time < 30 ms, zero span)	
Scale:	LOG 10 dB/DIV <span style="float: right;">≤ (1/2) dB</span>
	LOG 5 dB/DIV <span style="float: right;">≤ (1/4) dB</span>
	LOG 2 dB/DIV <span style="float: right;">≤ (1/10) dB</span>
	LOG 1 dB/DIV <span style="float: right;">≤ (1/20) dB</span>
	LINEAR <span style="float: right;">≤ Reference Level/200</span>

### **Demodulation**

<b>Spectrum Demodulation</b>	
Modulation Type	AM and FM (5 kHz peak deviation)
Audio Output	Internal speaker and phone jack with volume control.
Pause Time at Marker Frequency	100 ms to 60 s

### **Radiated Immunity**

<b>Radiated Immunity</b>
When tested at 3 V/m according to IEC 801-3/1984 the displayed average noise level will be within specifications over the full immunity test frequency range of 27 to 500 MHz except that at the immunity test frequency of 310.7 MHz ± selected resolution bandwidth the displayed average noise level may be up to -80 dBm. When the analyzer tuned frequency is identical to the immunity test signal frequency there may be signals of up to -90 dBm displayed on the screen.

## Inputs and Outputs Characteristics

**CAUTION** Any electrostatic discharge according to IEC 801-2/1991 to the center pins of any of the connectors may cause damage to the associated circuitry.

<b>INPUT 50Ω</b>	
Connector	Precision 2.4mm Male, front panel
Impedance	50 Ω
VSWR (at tuned frequency)	<1.5:1 for <2.9 GHz and ≥10 dB Input Attenuation <2.3:1 for <2.9 GHz and ≥10 dB Input Attenuation
LO Emission Level* (average)	
10 dB Input Attenuation	<-80 dBm
* Level of 1st LO, 3.0 to 6.8 GHz, present at INPUT 50Ω connector.	

<b>IF INPUT</b> <i>(Deleted on Option 002 and Option 327)</i>	
(2nd IF input for use with external mixers)	
Connector	SMA female, front panel
Impedance (dc coupled)	50 Ω
Frequency	310.7 MHz
Noise Figure	7 dB
1 dB Gain Compression Level	-23 dBm
Full Screen Level	-30 dBm
(Gain Compression and Full Screen Levels apply with 30 dB conversion loss setting and 0 dBm reference level.)	

<b>1ST LO OUTPUT</b>	
Connector	SMA female, front panel
Impedance	50 Ω
Frequency Range	3.0000 GHz to 6.8107 GHz <sup>†</sup>
<sup>†</sup> 3.8107 GHz to 6.8107 GHz for analyzers equipped with Option 002.	

<b>CAL OUTPUT</b>	
Connector	BNC female, front panel
Impedance	50 $\Omega$

<b>10 MHz REF IN/OUT</b>	
Connector	BNC female, rear panel
Impedance	50 $\Omega$
Output Amplitude	0 dBm
Input Frequency	10 MHz $\times (1 \pm 2 \times 10^{-5})$
Input Amplitude	-2 to +10 dBm
External Reference Phase Noise	
Analyzer noise sideband performance will not be degraded if the external reference phase noise is within the limits given below.	
<i>Non-Option 103</i>	<-135 dBc/Hz at 100 Hz offset
<i>Option 103</i>	<-110 dBc/Hz at 100 Hz offset

<b>VIDEO OUTPUT*</b>	
Connector	BNC female, rear panel
Impedance (dc coupled)	50 $\Omega$
Amplitude (RES BW $\geq$ 300 Hz)	0 to +1 V full scale
Scaling	
RES BW $\geq$ 300 Hz	linear or log 100 dB/V
RES BW $\leq$ 100 Hz	4.8 kHz, auto-ranged level with dc offset
* The VIDEO OUTPUT is a video signal for RES BW $\geq$ 300 Hz with switching transients and IF ADJ signals between sweeps. For RES BW $\leq$ 100 Hz the output is an IF signal with transients and IF ADJ signals between and during sweeps.	

8564E/EC Specifications and Characteristics  
**Inputs and Outputs Characteristics**

<p><b>LO SWP FAV OUTPUT and LO SWP 0.5 V/GHz OUTPUT*</b></p> <p>Connector</p> <p>Impedance (dc coupled)</p> <p>LO SWP OUTPUT (no load)</p> <p>0.5 V/GHz OUTPUT</p> <p style="padding-left: 20px;">Internal Mixer Mode</p> <p style="padding-left: 20px;">External Mixer Mode</p> <p>0.25 V/GHz OUTPUT<sup>†</sup></p>	<p>BNC female, rear panel</p> <p>120 Ω</p> <p>0 to + 10 V</p> <p>0.5 V/GHz of tuned frequency (no load)</p> <p><math>[(1.5 \text{ V/GHz}) \times \text{LO frequency}] - 0.2054 \text{ V} \pm 50 \text{ mV}</math></p> <p>0.25 V/GHz of tuned frequency (no load)</p>
---	--

\* This connector is labeled LO SWP | 0.5 V/GHz OUTPUT on older spectrum analyzers and LO SWP | FAV OUTPUT on newer spectrum analyzers.

<sup>†</sup> The 0.25 V/GHz output is available only in the 8564E/EC and 8565E/EC.

<p><b>BLKG/GATE OUTPUT</b></p> <p>Connector</p> <p>Impedance</p> <p>Blanking Mode</p> <p style="padding-left: 20px;">Amplitude during sweep</p> <p style="padding-left: 20px;">Amplitude during retrace</p> <p>Gate Mode</p> <p style="padding-left: 20px;">Gate On</p> <p style="padding-left: 20px;">Gate Off</p>	<p>BNC female, rear panel</p> <p>50 Ω</p> <p>Low TTL Level</p> <p>High TTL Level</p> <p>High TTL level</p> <p>Low TTL level</p>
---	---

<p><b>EXT/GATE TRIG INPUT</b></p> <p>Connector</p> <p>Impedance</p> <p>Trigger Level</p>	<p>BNC female, rear panel</p> <p>10 kΩ</p> <p>Settable to high TTL, or low TTL, or edge triggered TTL</p>
--	---

<p><b>PROBE POWER</b> (front panel)</p> <p>Voltage</p> <p>Current</p>	<p>+15 V dc, -12.6 V dc</p> <p>150 mA maximum, each</p>
---	---



<b>EARPHONE</b>	
Connector	1/8 inch miniature monophonic jack, rear panel
Power Output	0.2 W into 4 $\Omega$

<b>2ND IF OUT</b>			
<i>(Option 001 instruments only)</i>			
Connector	SMA female, rear panel		
Impedance	50 $\Omega$		
Frequency	310.7 MHz		
<b>Frequency Range</b>	<b>3 dB BW</b>	<b>Noise Figure</b>	<b>Conversion Gain</b>
10 kHz to 2.9 GHz			
serial number prefix <3641A	>28 MHz	25 dB	-6 dB
serial number prefix $\geq$ 3641A	>28 MHz	20 dB	1 dB
2.9 GHz to 6.5 GHz	>30 MHz	22 dB	-3 dB
6.5 GHz to 13.2 GHz	>30 MHz	26 dB	-7 dB
13.2 GHz to 22 GHz	>30 MHz	30 dB	-11 dB
22 GHz to 26.8 GHz	>30 MHz	32 dB	-13 dB
26.8 GHz to 31.15 GHz	>28 MHz	24 dB	-14 dB
31.15 GHz to 40 GHz	>28 MHz	34 dB	-14 dB

<b>ALT SWEEP OUT</b>	
<i>(Option 005 analyzers only)</i>	
Connector	BNC female, rear panel
Impedance	100 $\Omega$

## Regulatory Information

The following information applies to the 8564EC spectrum analyzer.

**Manufacturer's Name:** Agilent Technologies, Inc.

**Manufacturer's Address:** 1400 Fountaingrove Parkway  
Santa Rosa, CA 95403-1799  
USA

Declares that the products

**Product Name:** Spectrum Analyzer

**Model Number:** 8560EC, 8561EC, 8562EC, 8563EC, 8564EC, 8565EC

**Product Options:** This declaration covers all options of the above products.

Conform to the following product specifications:

EMC: IEC 61326-1:1997+A1:1998 / EN 61326-1:1997+A1:1998

<u>Standard</u>	<u>Limit</u>
CISPR 11:1990 / EN 55011-1991	Group 1, Class A
IEC 61000-4-2:1995+A1998 / EN 61000-4-2:1995	4 kV CD, 8 kV AD
IEC 61000-4-3:1995 / EN 61000-4-3:1995	3 V/m, 80 - 1000 MHz
IEC 61000-4-4:1995 / EN 61000-4-4:1995	0.5 kV sig., 1 kV power
IEC 61000-4-5:1995 / EN 61000-4-5:1996	0.5 kV L-L, 1 kV L-G
IEC 61000-4-6:1996 / EN 61000-4-6:1998	3 V, 0.15 - 80 MHz
IEC 61000-4-11:1994 / EN 61000-4-11:1998	1 cycle, 100%

Safety: IEC 61010-1:1990 + A1:1992 + A2:1995 / EN 61010-1:1993 +A2:1995  
CAN/CSA-C22.2 No. 1010.1-92

**Supplementary Information:**

The products herewith comply with the requirements of the Low Voltage Directive 73/23/EEC and the EMC Directive 89/336/EEC and carry the CE-marking accordingly.




Santa Rosa, CA, USA 18 Jan. 2000

Greg Pfeiffer/Quality Engineering Manager

For further information, please contact your local Agilent Technologies sales office, agent or distributor.

The following information applies to the 8564E spectrum analyzer.

<b>DECLARATION OF CONFORMITY</b>	
According to ISO/IEC Guide 22 and CEN/CENELEC EN 45014	
<b>Manufacturer's Name:</b>	Agilent Technologies, Inc.
<b>Manufacturer's Address:</b>	1400 Fountaingrove Parkway Santa Rosa, CA 95403-1799 USA
Declares that the products	
<b>Product Name:</b>	Spectrum Analyzer
<b>Model Number:</b>	8560E, 8560EL, 8561E, 8562E, 8562EL, 8563E, 8564E, 8565E
<b>Product Options:</b>	This declaration covers all options of the above products.
Conform to the following product specifications:	
<u>Standard</u>	<u>Limit</u>
EMC: CISPR 11:1990 / EN 55011-1991	Group 1, Class A
IEC 801-2:1984/EN 50082-1:1992	4 kV CD, 8 kV AD
IEC 801-3:1984/EN 50082-1:1992	3 V/m, 80 - 1000 MHz
IEC 801-4:1988/EN 50082-1:1992	0.5 kV sig., 1 kV power
Safety: IEC 61010-1:1990 + A1:1992 + A2:1995 / EN 61010-1:1993 +A2:1995 CAN/CSA-C22.2 No. 1010.1-92	
<b>Supplementary Information:</b> The products herewith comply with the requirements of the Low Voltage Directive 73/23/EEC and the EMC Directive 89/336/EEC and carry the CE-marking accordingly.	
	
Santa Rosa, CA, USA    1 Nov. 2000	Greg Pfeiffer/Quality Engineering Manager
For further information, please contact your local Agilent Technologies sales office, agent or distributor.	

### **Notice for Germany: Noise Declaration**

LpA < 70 dB am Arbeitsplatz (operator position) normaler Betrieb (normal position) nach DIN 45635 T. 19 (per ISO 7779)

### **CE: European Community**

The product design was approved for the European Community.

### **ISM1-A: Industrial Scientific and Medical Group 1, Class A**

The instrument meets the requirements of CISPER 11, Clause 4.

### **CSA: Canadian Standards Association**

The CSA mark is a registered trademark of the Canadian Standards Association. The product meets the requirements.

### **IEC: International Electrotechnical Commission**

This instrument has been designed and tested in accordance with IEC Publication 1010, Safety Requirements for Electronic Measuring Apparatus, and has been supplied in a safe condition. The instruction documentation contains information and warnings which must be followed by the user to ensure safe operation and to maintain the instrument in a safe condition.

This product conforms to Enclosure Protection IP 2 0 according to IEC-529. The enclosure protects against finger access to hazardous parts within the enclosure; the enclosure does not protect against the entrance of water.



## Specifications and Characteristics

The following tables list the spectrum analyzer specifications.

Unless stated otherwise, all specifications describe the analyzer warranted performance under the following conditions:

- Five-minute warmup for ambient conditions
- Autocoupled controls
- Preselector peaked at the signal of interest
- Digital trace display
- IF ADJ ON
- REF LVL CAL adjusted
- 1ST LO OUTPUT terminated in 50 ohms
- 2ND IF OUTPUT terminated in 50 ohms
- One-year calibration cycle (See “Calibration Cycle” below.)
- Environmental requirements met

After a 30-minute warmup at a temperature between 20 °C and 30 °C, the preselector does not have to be peaked at each signal of interest. Factory preselector-peak values are sufficient to meet all specifications.

---

**NOTE**

REF LVL ADJ uses the CAL OUTPUT signal to calibrate the reference level. How often this adjustment should be performed depends on internal temperature changes. Amplitude temperature drift is a nominal 1 dB/10 °C. The nominal temperature drift is 10 °C, most of which occurs during the first 30 minutes after power-on. Internal temperature equilibrium is reached after 2 hours of operation at a stable ambient temperature.

Characteristics provide useful information in the form of typical, nominal, or approximate values for analyzer performance. Tables of the spectrum analyzer characteristics follow the specifications.

## **Calibration Cycle**

The performance tests located in Chapter 2 should be used once every year to check the analyzer against the specifications listed in this chapter.

The frequency reference needs to be adjusted as well as checked at the same time. Refer to the 10 MHz Frequency Reference Adjustment in the *Agilent Technologies 8564E/EC and Agilent Technologies 8565E/EC Spectrum Analyzers Service Guide*.

## Frequency Specifications

<b>Frequency Range</b>				
Internal Mixing				
<i>Non-Option 006</i>				
9 kHz to 50 GHz				
<i>Option 006</i>				
30 Hz to 50 GHz				
Internal Mixing Bands				
		<b>Frequency Range</b>	<b>Harmonic Mixing Mode N*</b>	
Band 0 <i>Non-Option 006</i>		9 kHz to 2.9 GHz	1-	
Band 0 <i>Option 006</i>		30 Hz to 2.9 GHz	1-	
Band 1		2.75 GHz to 6.46 GHz	1-	
Band 2		5.86 GHz to 13.2 GHz	2-	
Band 3		12.4 GHz to 26.8 GHz	4-	
Band 4		26.4 GHz to 31.15 GHz	4+	
Band 5		31.0 GHz to 50 GHz	8-	
External Mixing				
18 GHz to 325 GHz				
External Mixing Bands				
<b>Frequency Band</b>		<b>Frequency Range</b>	<b>Harmonic Mixing Mode (N*)</b>	
			<b>Preselected</b>	<b>Unpreselected</b>
K		18.0 to 26.5	n/a	6-
A		26.5 to 40.0	8+	8-
Q		33.0 to 50.0	10+	10-
U		40.0 to 60.0	10+	10-
V		50.0 to 75.0	14+	14-
E		60.0 to 90.0	n/a	16-
W		75.0 to 110.0	18+	18-
F		90.0 to 140.0	n/a	24-
D		110.0 to 170.0	n/a	30-
G		140.0 to 220.0	n/a	36-
Y		170.0 to 260.0	n/a	44-
J		220.0 to 325.0	n/a	54-
<p>* N is the harmonic mixing mode. For negative mixing modes (as indicated by the “-”), the desired 1st LO harmonic is higher than the tuned frequency by the 1st IF. For positive mixing modes, (as indicated by the “+”), the desired LO Harmonic is lower than the tuned frequency by the 1st IF. The 1st IF is 3.9107 GHz for internal mixing bands 0, 4, and 5, and 310.7 MHz for all other internal mixing bands and all external mixing bands.</p>				



<p><b>Frequency Readout Accuracy</b></p> <p>Accuracy of START, CENTER, STOP or MARKER frequency</p> <p>SPAN &gt; 2 MHz × N*</p> <p>SPAN ≤ 2 MHz × N*</p>	<p>&lt;±(frequency readout × frequency reference accuracy<sup>†</sup> + 5% of frequency span + 15% of resolution bandwidth + 10 Hz)</p> <p>&lt;±(frequency readout × frequency reference accuracy<sup>†</sup> + 1% of frequency span + 15% of resolution bandwidth + 10 Hz)</p>
<p>* N is the harmonic mixing mode.</p> <p><sup>†</sup> frequency reference accuracy = (aging × period of time since adjustment) + initial achievable accuracy + temperature stability.</p>	

<p><b>Frequency Count Marker</b></p> <p>Frequency Count Marker Resolution</p> <p>Frequency Count Marker Accuracy (for signal-to-noise ratio ≥25 dB)</p> <p>Delta Frequency Count Accuracy (for signal-to-noise ratio ≥25 dB)</p>	<p>Selectable from 1 Hz to 1 MHz</p> <p>&lt;±(marker frequency × frequency reference accuracy<sup>‡</sup> + 2 Hz × N<sup>†</sup> + 1 LSD)</p> <p>&lt;±(delta frequency × frequency reference accuracy<sup>‡</sup> + 4 Hz × N<sup>†</sup> + 2 LSD)</p>
<p><sup>†</sup> N is the harmonic mixing mode.</p> <p><sup>‡</sup> Frequency Reference Accuracy = (aging × period of time since adjustment + initial achievable accuracy + temperature stability).</p>	

8565E/EC Specifications and Characteristics  
Frequency Specifications

<b>Frequency Reference Accuracy</b>	
<i>Non-Option 103</i>	
Aging	$<\pm 0.5 \times 10^{-9}/\text{day}$ (after 7 day warmup) $<\pm 1 \times 10^{-7}/\text{year}$
Temperature Stability	$<\pm 1 \times 10^{-8}$ , $-10\text{ }^{\circ}\text{C}$ to $+55\text{ }^{\circ}\text{C}$ , referenced to $25\text{ }^{\circ}\text{C}$
<i>Option 103</i>	
Aging	$<\pm 2 \times 10^{-6}/\text{year}$
Stability	$<\pm 1 \times 10^{-6}$
Temperature Stability	$<\pm 1 \times 10^{-6}$ , $-10\text{ }^{\circ}\text{C}$ to $+55\text{ }^{\circ}\text{C}$ , referenced to $25\text{ }^{\circ}\text{C}$

<b>Stability</b>		
Residual FM		
(zero span, 10 Hz RES BW)		
<i>Non-Option 103</i>	< 1.0 Hz × N* peak-to-peak in 20 ms <sup>†</sup>	
<i>Option 103</i>	< 10 Hz × N* peak-to-peak in 20 ms	
Noise Sidebands		
For Frequencies ≤ 1 GHz		
(Refer to the characteristics section for frequencies > 2.9 GHz)		
<b>Offset</b>	<b>Non-Option 103</b>	<b>Option 103</b>
100 Hz		
serial number prefix <3510A	<−80 dBc/Hz <sup>‡</sup>	<−70 dBc/Hz <sup>‡</sup>
serial number prefix ≥3510A	<−88 dBc/Hz <sup>‡</sup>	<−70 dBc/Hz <sup>‡</sup>
1 kHz	<−97 dBc/Hz <sup>‡</sup>	<−90 dBc/Hz <sup>‡</sup>
10 kHz <sup>**</sup>	<−113 dBc/Hz <sup>§</sup>	<−113 dBc/Hz <sup>§</sup>
100 kHz <sup>††</sup>		
serial number prefix <3510A	<−116 dBc/Hz <sup>#</sup>	<−116 dBc/Hz <sup>#</sup>
serial number prefix ≥3510A	<−117 dBc/Hz <sup>#</sup>	<−117 dBc/Hz <sup>#</sup>
* N is the harmonic mixing mode.		
<sup>†</sup> See Resolution Bandwidth Usability in “Frequency Characteristics” for further information.		
<sup>‡</sup> Add 5.2 dB × (f/1 GHz) − 1) for f > 1 GHz and f ≤ 2.9 GHz.		
<sup>§</sup> Add 2.5 dB × (f/1 GHz) − 1) for f > 1 GHz and f ≤ 2.9 GHz.		
<sup>#</sup> Add 3.0 dB × (f/1 GHz) − 1) for f > 1 GHz and f ≤ 2.9 GHz.		
<sup>**</sup> Add 2.0 dB for frequencies > 1 GHz and ≤ 2.9 GHz		
<sup>††</sup> For resolution bandwidth ≤ 1 kHz or frequency span ≤ 745 kHz.		
<sup>‡‡</sup> For resolution bandwidth ≥ 3 kHz or frequency span > 745 kHz.		

8565E/EC Specifications and Characteristics  
**Frequency Specifications**

<b>Frequency Span</b>	
Range	
Internal Mixing	0 Hz, 100 Hz to 13.2 GHz over the 10-division display horizontal axis, variable in approximately 1% increments, or in a 1, 2, 5 sequence.
External Mixing <sup>†</sup>	Minimum span = 100 Hz × N*
Accuracy	
SPAN > 2 MHz × N*	<±5%
SPAN ≤ 2 MHz × N*	<±1%
* N is the harmonic mixing mode.	
† Resolution bandwidths ≤100 Hz are not available in external mixing. External mixing is not available for Option 002 or Option 327.	

<b>Resolution Bandwidths (–3 dB)</b>	
Range*	
<i>Non-Option 103</i>	1 Hz to 1 MHz (selectable in a 1, 3, 10 sequence) and 2 MHz (3 MHz at –6 dB)
<i>Option 103</i>	10 Hz to 1 MHz (selectable in a 1, 3, 10 sequence) and 2 MHz (3 MHz at –6 dB)
Accuracy	
1 Hz to 300 kHz RES BW	<±10%
1 MHz RES BW	<±25%
2 MHz RES BW	<+50%, –25%
Selectivity (60 dB/3 dB bandwidth ratio)	
RES BW ≥300 Hz	<15:1
RES BW ≤100 Hz	<5:1
Bandwidth Shape	
1 and 2 MHz RES BW	Approximately Gaussian
300 Hz to 300 kHz RES BW	Synchronously tuned, 4-pole filters
1 Hz to 100 Hz RES BW	Digital, approximately Gaussian
* Resolution bandwidths ≤100 Hz are not available in external mixing.	

<b>Video Bandwidth</b>	
(Post-detection low-pass filter averages displayed noise for a smooth trace.)*	
Range	1 Hz to 3 MHz <sup>†</sup> in a 1, 3, 10 sequence
* Video bandwidth filtering is not available in resolution bandwidths ≤ 100 Hz when SPAN 0 Hz with firmware revisions 930809 and earlier.	
<sup>†</sup> The video bandwidth upper limit is 450 kHz in sample detection mode.	

## Sweep

<b>Sweep Time</b>	
Range	
Span = 0	
<i>Non-Option 007 (E-Series)</i>	
Analog display	50 $\mu$ s to <30 ms
Digital display	30 ms to 6,000 s
<i>Option 007 E-Series and all EC-Series instruments</i>	
Digital display	50 $\mu$ s to 6,000 s
Span $\geq$ 100 Hz	
RES BW $\geq$ 300 Hz	50 ms to 2,000 s
RES BW $\leq$ 100 Hz	50 ms to 100,000 s (span-dependent)
Accuracy (Span = 0 Hz)	
<i>Non-Option 007 (E-Series)</i>	
Sweep time 30 ms to 6,000 s	< $\pm$ 1%
Sweep time <30 ms	< $\pm$ 10%
<i>Option 007 E-Series and all EC-Series instruments</i>	
Sweep time 30 ms to 6,000 s	< $\pm$ 1%
Sweep time <30 ms	< $\pm$ 0.1%
Sweep Trigger	Delayed, Free Run, Single, Line, External, or Video <sup>#</sup>
<sup>#</sup> Video trigger is not available in RES BW settings $\leq$ 100 Hz.	

<b>Delayed Sweep</b>	
Trigger Modes	Free Run, Line, External, Video*
Range	
Span = 0	
<i>Non-Option 007</i> (E-Series)	+2 $\mu$ s to +65.535 ms
<i>Option 007</i> E-Series and all EC-Series instruments	
Sweep time $\geq$ 30 ms	+2 $\mu$ s to +65.535 ms
Sweep time < 30 ms	-9.9 ms to +65.535 ms <sup>††</sup>
Span $\geq$ 100 Hz	+2 $\mu$ s to +65.535 ms
Resolution	1 $\mu$ s
Accuracy <sup>#</sup>	$\pm$ 1 $\mu$ s
<p>* Video trigger is not available in RES BW settings <math>\leq</math> 100 Hz.</p> <p><sup>††</sup> Negative delayed sweep (pre-trigger) is also limited to <math>50 \times</math> sweep time.</p> <p><sup>#</sup> In E-Series instruments without Option 007, the delay time will be subject to up to <math>\pm 0.5 \mu</math>s of jitter due to synchronization of the input edge trigger to the internal 1 MHz timebase. In E-series instruments with Option 007 and EC-series instruments using sweeptimes &lt;30 ms, the delay time will experience up to <math>\pm 83</math> ns of jitter due to synchronization of the input edge trigger to the internal 12 MHz timebase.</p>	

**Time-Gated Spectrum Analysis**

<b>Gate Delay*</b>	<b>Edge Mode</b>	<b>Level Mode</b>
Range	3 $\mu$ s to 65.535 ms	$\leq 0.5 \mu$ s
Resolution	1 $\mu$ s	
Accuracy <sup>†</sup>	$< \pm 1 \mu$ s	
* Time from GATE TRIGGER INPUT to positive edge of GATE OUTPUT.		
<sup>†</sup> The gate delay time will experience up to $\pm 0.5 \mu$ s of jitter due to synchronization of the input edge trigger to the internal 1 MHz timebase.		

<b>Gate Length*</b>	
Range	1 $\mu$ s to 65.535 ms
Resolution	1 $\mu$ s
Accuracy	$< \pm 1 \mu$ s
* Time from positive edge to negative edge of GATE OUTPUT.	

<b>Marker Frequency Resolution</b>	SPAN/600 to a minimum of 1 Hz
------------------------------------	-------------------------------

<b>Marker Time Resolution</b>	Sweep time/600
-------------------------------	----------------



## Amplitude Specifications

### Measurement Range

<b>Maximum Safe Input Power</b>	
Average Continuous Power (input attenuation $\geq 10$ dB)	+30 dBm (1 W)
Peak Pulse Power (input attenuation $\geq 30$ dB)	+50 dBm (100 W) for pulse widths $\leq 10$ $\mu$ s and <1% duty cycle.
DC Voltage	< $\pm 0.2$ V

<b>Gain Compression</b>	
10 MHz to 2.9 GHz ( $\leq -5$ dBm at input mixer <sup>‡</sup> )	<1.0 dB
2.9 GHz to 6.46 GHz ( $\leq 0$ dBm at input mixer <sup>‡</sup> )	<1.0 dB
6.46 GHz to 26.8 GHz ( $\leq -3$ dBm at input mixer <sup>‡</sup> )	<1.0 dB
26.8 GHz to 40 GHz ( $\leq 0$ dBm at input mixer <sup>‡</sup> )	<1.0 dB m (characteristic)
<sup>‡</sup> Mixer level = input level – input attenuation.	

8565E/EC Specifications and Characteristics  
**Amplitude Specifications**

<b>Displayed Average Noise Level</b>		
With no signal at input, 1 Hz video bandwidth, and 0 dB input attenuation, tracking generator off.		
<b>Frequency Range</b>	<b>10 Hz RES BW</b> <i>(Option 103)</i>	<b>1 Hz RES BW</b> <i>(Non-Option 103)</i>
30 Hz <i>(Option 006)</i>	<-80 dBm	<-90 dBm
1 kHz <i>(Option 006)</i>	<-95 dBm	<-105 dBm
10 kHz	<-110 dBm	<-120 dBm
100 kHz	<-110 dBm	<-120 dBm
1 MHz to 10 MHz	<-130 dBm	<-140 dBm
10 MHz to 2.9 GHz		
serial number prefix <3641A	<-130 dBm	<-140 dBm
serial number prefix ≥3641A	<-135 dBm	<-145 dBm
Option H13	<-135 dBm	<-145 dBm
2.9 GHz to 6.46 GHz	<-137 dBm	<-147 dBm
6.46 GHz to 13.2 GHz	<-133 dBm	<-143 dBm
13.2 GHz to 22.0 GHz	<-130 dBm	<-140 dBm
22.0 GHz to 26.8 GHz	<-126 dBm	<-136 dBm
26.8 GHz to 31.15 GHz	<-129 dBm	<-139 dBm
31.15 GHz to 40 GHz	<-120 dBm	<-130 dBm*
40 GHz to 50 GHz	<-117 dBm	<-127 dBm*
* Refer to Resolution Bandwidth Usability.		

<b>Spurious Responses</b>	<b>Mixer Level*</b>	<b>Distortion</b>
All input-related spurious responses, except as noted below.		
10 MHz to 50 GHz	-40 dBm	$<(-75 + 20 \log N^\dagger)$ dBc
<b>Second Harmonic Distortion</b>		
Applied Signal Frequency Range		
1 MHz to 1.45 GHz (serial number prefix <3641A)	-40 dBm	<-72 dBc
20 MHz to 1.45 GHz (serial number prefix ≥3641A)	-40 dBm	<-79 dBc
20 MHz to 1.45 GHz (Option H13)	-40 dBm	<-79 dBc
1.45 GHz to 2.0 GHz	-10 dBm	<-85 dBc
2.0 GHz to 25 GHz	-10 dBm	<-90 dBc
<b>Third Order Intermodulation Distortion</b>		
(with two signals at the input mixer, spaced by ≥1 kHz)*		
Frequency Range		
1 MHz to 2.9 GHz (serial number prefix <3641A)	-30 dBm each	<-78 dBc
20 MHz to 2.9 GHz (serial number prefix ≥3641A)	-30 dBm each	<-82 dBc
20 MHz to 2.9 GHz (Option H13)	-30 dBm each	<-82 dBc
2.9 GHz to 6.46 GHz	-30 dBm each	<-90 dBc
6.46 GHz to 26.8 GHz	-30 dBm each	<-75 dBc
26.8 GHz to 50 GHz ( <i>Characteristic</i> )	-30 dBm each	<-85 dBc
<b>Image Responses</b>		
Frequency Range		
10 MHz to 26.8 GHz	-10 dBm	<-80 dBc
26.8 GHz to 50 GHz	-30 dBm	<-60 dBc
<b>Multiple and Out-of-Band Responses</b>		
Frequency Range		
10 MHz to 26.8 GHz	-10 dBm	<-80 dBc
26.8 GHz to 50 GHz	-30 dBm	<-55 dBc
* Mixer level = input level – input attenuation.		
† N = harmonic mixing number		

8565E/EC Specifications and Characteristics  
**Amplitude Specifications**

<b>Residual Responses</b>	
>200 kHz with no signal at input, 0 dB input attenuation, $N^{\dagger} - 1$	<-90 dBm
$\dagger$ N harmonic mixing number	

**Display Range**

<b>Amplitude Scale</b>	10 vertical display divisions, with the reference level (0 dB) at the top graticule line.
------------------------	---

<b>Calibration</b>	
LOG	10 dB/DIV for 100 dB display from reference level.* 5 dB/DIV for 50 dB display expanded from reference level. $\dagger$ 2 dB/DIV for 20 dB display expanded from reference level. 1 dB/DIV for 10 dB display expanded from reference level. $\dagger$
LINEAR	10% of reference level per division over the top nine divisions (all 10 divisions for RES BW $\leq$ 100 Hz) when calibrated in voltage.
* 10 dB/DIV for 70 dB display from reference level for RES BW $\leq$ 100 Hz when SPAN = 0 Hz.	
$\dagger$ In E-Series instruments these scales are not available for sweep times < 30 ms without Option 007.	

**Accuracy**

<b>Reference Level Range</b>	
LOG, adjustable in 0.1 dB steps	
<b>Frequency Band</b>	<b>Range</b>
30 Hz to 31.15 GHz ( <i>Option 006</i> )	-120 dBm to +30 dBm
9 kHz to 31.15 GHz ( <i>Non-Option 006</i> )	-120 dBm to +30 dBm
31.15 GHz to 50 GHz	-115 dBm to +30 dBm
LINEAR, settable in 1% steps	
30 Hz to 31.15 GHz ( <i>Option 006</i> )	2.2 $\mu$ V to 7.07 V
9 kHz to 31.15 GHz ( <i>Non-Option 006</i> )	2.2 $\mu$ V to 7.07 V
31.15 GHz to 50 GHz	3.98 $\mu$ V to 7.07 V

### Reference Level Uncertainty

<b>Frequency Response</b>			
(with 10 dB input attenuation)			
Relative (referenced to midpoint between highest and lowest peak excursions)		-10 °C to 55 °C	20 °C to 30 °C
30 Hz to 2.9 GHz ( <i>Option 006</i> )		<±1.0 dB	<±0.8 dB
9 kHz to 2.9 GHz ( <i>Non-Option 006</i> )		<±1.0 dB	<±0.8 dB
100 MHz to 2.0 GHz (serial number prefix ≥3641A)		<±0.9 dB	<±0.8 dB
2.9 GHz to 6.46 GHz		<±1.7 dB	<±1.4 dB
6.46 GHz to 13.2 GHz		<±2.6 dB	<±2.2 dB
13.2 GHz to 22.0 GHz		<±2.5 dB	<±2.5 dB
22.0 GHz to 26.8 GHz		<±3.3 dB	<±2.2 dB
26.8 GHz to 31.15 GHz		<±3.1 dB	<±2.9 dB
31.15 GHz to 50 GHz		<±3.2 dB	<±3.0 dB
Absolute (referenced to 300 MHz CAL OUTPUT)			
30 Hz to 2.9 GHz ( <i>Option 006</i> )		<±1.5 dB	<±1.0 dB
9 kHz to 2.9 GHz ( <i>Non-Option 006</i> )		<±1.5 dB	<±1.0 dB
2.9 GHz to 6.46 GHz		<±2.6 dB	<±1.8 dB
6.46 GHz to 13.2 GHz		<±3.0 dB	<±2.8 dB
13.2 GHz to 22 GHz		<±4.0 dB	<±3.5 dB
22 GHz to 26.8 GHz		<±4.5 dB	<±4.0 dB
26.8 GHz to 31.15 GHz		<±4.0 dB	<±3.0 dB
31.15 GHz to 50 GHz		<±4.0 dB	<±4.0 dB

<b>Band Switching Uncertainty</b>	
(Additional uncertainty added to Relative Frequency Response for measurements between any two bands)	<±1.0 dB

<b>Calibrator Uncertainty</b>	
-10 dBm, 300 MHz	<±0.3 dB

8565E/EC Specifications and Characteristics  
**Amplitude Specifications**

<p><b>Input Attenuator Switching Uncertainty</b>  (20 to 70 dB settings, referenced to 10 dB attenuation)</p> <p><b>Frequency Range</b></p> <p>9 kHz to 2.9 GHz</p> <p>30 Hz to 2.9 GHz (<i>Option 006</i>)</p>	<p>&lt;±0.6 dB/10 dB step, ±1.8 dB max.</p> <p>&lt;±0.6 dB/10 dB step, ±1.8 dB max.</p>
<p><b>IF Gain Uncertainty</b>  (0 dBm to –80 dBm reference levels with 10 dB input attenuation)</p>	<p>&lt;±1.0 dB</p>
<p><b>Resolution Bandwidth Switching Uncertainty</b>  (Referenced to 300 kHz resolution bandwidth at the reference level.)*</p>	<p>&lt;±0.5 dB</p>
<p>* Scale fidelity is not the same for RES BW ≤100 Hz as for RES BW ≥300 Hz. Therefore, signals not at the reference level will experience an additional amplitude difference when switching between these two sets of RES BW settings, due to differences in scale fidelity.</p>	

<b>Pulse Digitization Uncertainty</b>	
(Pulse response mode, PRF >720/sweep time)	
LOG	
Resolution Bandwidth $\leq$ 1 MHz	<1.25 dB peak-to-peak
Resolution Bandwidth = 2 MHz	<3 dB peak-to-peak
LINEAR	
Resolution Bandwidth $\leq$ 1 MHz	<4% of reference level peak-to-peak
Resolution Bandwidth = 2 MHz	<12% of reference level peak-to-peak

<b>IF Alignment Uncertainty</b>	
(additional uncertainty when using 300 Hz RES BW only)	< $\pm$ 0.5 dB

8565E/EC Specifications and Characteristics  
**Amplitude Specifications**

<p><b>Scale Fidelity*</b></p> <p>LOG</p> <p>Incremental</p> <p>0 to -90 dB range<sup>†</sup></p> <p>RES BW ≥ 300 Hz</p> <p>RES BW ≤ 100 Hz</p> <p>Cumulative</p> <p>0 to -90 dB range<sup>†</sup></p> <p>RES BW ≥ 300 Hz</p> <p>RES BW ≤ 100 Hz</p> <p>0 to -100 dB range<sup>†</sup></p> <p>RES BW ≥ 300 Hz</p> <p>RES BW ≤ 100 Hz</p> <p>LINEAR</p>	<p>&lt;±0.1 dB/dB</p> <p>&lt;±0.2 dB/2 dB</p> <p>&lt;±0.1 dB/dB from the reference level to a maximum of ±0.85 dB</p> <p>&lt;±0.2 dB/2 dB from the reference level to a maximum of ±0.85 dB</p> <p>±2.5 dB <i>characteristic</i></p> <p>maximum of ±1.5 dB</p> <p>&lt;±3% of reference level</p>
<p>* Scale fidelity is not the same for RES BW ≤100 Hz as for RES BW ≥ 300 Hz. Therefore, signals not at the reference level will experience an additional amplitude difference when switching between these two sets of RES BW settings due to the differences in scale fidelity.</p> <p>† 0 to -70 dB range for RES BW ≤100 Hz when SPAN = 0 Hz.</p>	

<p><b>Marker Amplitude Resolution*</b></p> <p>(Sweep time ≥ 30 ms)</p>	
Scale: LOG 10 dB/DIV	(1/6) dB
LOG 5 dB/DIV	(1/12) dB
LOG 2 dB/DIV	(1/30) dB
LOG 1 dB/DIV	(1/60) dB
LINEAR	Reference Level/600
<p>* For E-Series instruments without Option 007 markers are not available for sweep times &lt; 30 ms with RES BW ≥ 300 Hz. For Option 007, see the characteristics section.</p>	



## Inputs and Outputs Specifications

**CAUTION** Any electrostatic discharge according to IEC 801-2/1991 to the center pins of any of the connectors may cause damage to the associated circuitry.

<b>IF INPUT</b>	
Connector	SMA female, front panel
Input level for full-screen deflections (external mixing mode, 0 dBm reference level, 30 dB conversion loss)	-30 dBm ± 1.5 dB

<b>GPIB</b>	
Connector	IEEE-488 bus connector
Interface Functions	SH1, AH1, T6, TE0, L4, LE0, SR1, RL1, PP1, DC1, DT1, C1, C28
Direct Plotter Output	Supports Agilent 7225A, Agilent 7440A, Agilent 7470A, Agilent 7475A, Agilent 7550A
Direct Printer Output	Supports HP 3630A PaintJet, HP 2225A ThinkJet

<b>CAL OUTPUT</b>	
Connector	BNC female, front panel
Frequency	300 MHz ±(300 MHz × frequency reference accuracy <sup>†</sup> )
Amplitude	-10 dBm ±0.3 dB
<sup>†</sup> Frequency Reference Accuracy = (aging × period of time since adjustment + initial achievable accuracy + temperature stability).	

<b>1ST LO OUTPUT</b>	
Connector	SMA female, front panel
Amplitude	+16.5 dBm ±2.0 dB

<b>10 MHz REF IN/OUT</b>	
Connector	BNC female, rear panel
Output Frequency	10 MHz ±(10 MHz × frequency reference accuracy <sup>†</sup> )
<sup>†</sup> Frequency Reference Accuracy = (aging × period of time since adjustment + initial achievable accuracy + temperature stability).	

## General Specifications

### Environmental Specifications

*Military Specification per MIL-T-28800, Type III, Class 3, Style B (EC)/ Style C,(E) as follows:*

Calibration Interval	1 year
Warmup	5 minutes from ambient conditions*
Temperature	
Operating	-10 °C to +55 °C (E) / 0 °C to +55 °C (EC)
Non-operating	-51 °C to +71 °C
Humidity	95% at 40 °C for 5 days
Altitude	
Operating	15,000 feet
Non-operating	50,000 feet
Rain resistance	Drip-proof at 16 liters/hour/square foot
Vibration	
5 to 15 Hz	0.060 inch peak-to-peak excursion
16 to 25 Hz	0.040 inch peak-to-peak excursion
26 to 55 Hz	0.020 inch peak-to-peak excursion
Pulse Shock	
Half Sine	30 g for 11 ms duration
Transit Drop	8 inch drop on 6 faces and 8 corners
Power Main	Voltage fluctuations within the range specified in the spectrum analyzer "Power Requirements."
Power Main	Operating environment within the limits of installation category II according to IEC 1010.
Pollution	Operating environment within the limits of pollution degree 2 according to IEC 664.

\* Two hours for conditions of internal condensation, 30 minutes to meet frequency response specifications without preselector peaking. When operating outside the 20 °C to 30 °C ambient temperature range, preselector peaking is always required to meet frequency response specifications.

<b>Electromagnetic Compatibility</b>	Conducted and radiated interference is in compliance with CISPR, Publication 11 (1990).
Military Specification	Meets the requirements of MIL-STD-461C, Part 2, with the exceptions shown below:
Conducted Emissions	
CE01 (Narrowband)	1 kHz to 15 kHz only
CE03 (Narrowband)	Full limits
CE03 (Broadband)	20 dB relaxation from 15 kHz to 100 kHz
Conducted Susceptibility	
CS01	Full Limits
CS02	Full Limits with 40 dB relaxation at IF frequencies. Refer also to “Radiated Immunity” in Amplitude Characteristics.
CS06	Full Limits
Radiated Emissions	
RE01	Test probe at 15 cm, front and rear panel search excluded.
RE02	Full limits to 1 GHz
Radiated Susceptibility	
RS03	Limited to 3 V/m from 14 kHz to 1 GHz with 40 dB relaxation at IF frequencies. Refer also to “Radiated Immunity” in Amplitude Characteristics.

8565E/EC Specifications and Characteristics  
**General Specifications**

<b>Power Requirements</b>	
115 Vac Operation	
Voltage	90 V to 140 V rms
Current	3.2 A rms maximum
Frequency	47 Hz to 440 Hz
230 Vac Operation	
Voltage	180 V to 250 V rms
Current	1.8 A rms maximum
Frequency	47 Hz to 66 Hz
Maximum Power Dissipation	180 W
<b>Audible Noise</b>	<5.0 Bels, 20 °C to 30 °C (ISO DP7779)
<b>Weight</b>	20 kg (44 lb)

**Dimensions**

With Handle and Front Cover:

(A) 202 mm (7-15/16 in) high

(C) 366 mm (14-7/16 in) wide

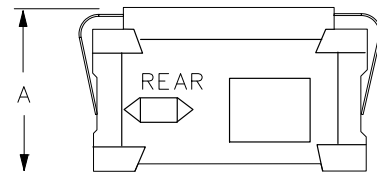
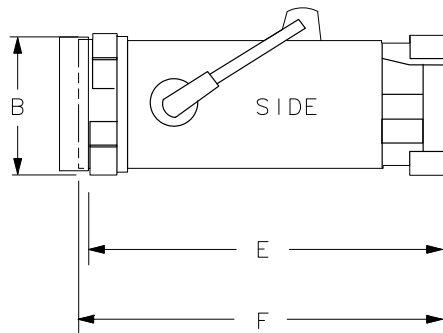
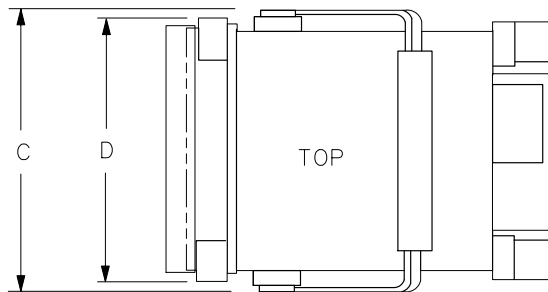
(F) 503 mm (19-13/16 in) deep

Without Handle and Front Cover:

(B) 187 mm (7-3/8 in) high

(D) 337 mm (13-1/4 in) wide

(E) 461 mm (18-1/8 in) deep



FORMAT 1

## Frequency Characteristics

These are not specifications. Characteristics provide useful information about instrument performance.

<b>Frequency Reference Accuracy</b>	
<i>Non-Option 103</i>	
Initial Achievable Accuracy  (includes gravitational sensitivity, retrace, and settability)	$<\pm 2.2 \times 10^{-8}$
Daily Aging (average over 7 days after being powered on for 7 days)	$<\pm 5 \times 10^{-10}$
Warmup  (Internal frequency reference selected)	
After 5 minutes	$<\pm 1 \times 10^{-7}$ of final frequency* (0 °C to +55 °C) $<\pm 1 \times 10^{-6}$ of final frequency* (-10 °C)
After 15 minutes	$<\pm 1 \times 10^{-8}$ of final frequency* (-10 °C to +55 °C)
<i>Option 103</i>	
Initial Achievable Accuracy	$<\pm 1 \times 10^{-6}$
* Final frequency is defined as frequency 60 minutes after power-on with analyzer set to internal frequency reference.	

<b>Bandwidth Selectivity</b>	
RES BW $\leq$ 100 Hz	$<4.5:1$
RES BW = 1 MHz	$<8:1$
RES BW = 2 MHz	$<5.5:1$

<b>Impulse Bandwidth</b>	
RES BW 2 MHz	2.93 MHz $\pm$ 10%
RES BW 1 MHz	1.60 MHz $\pm$ 7%
RES BW 300 kHz	491 kHz $\pm$ 7%
300 Hz $\leq$ RES BW $\leq$ 100 kHz	1.62 $\times$ RES BW $\pm$ 10%

<b>Stability</b>	
Noise Sidebands	
For frequencies $\leq$ 1 GHz, 100 kHz offset from carrier, and frequency span $>$ 2 MHz	$\leq$ 121 dBc/Hz

Figure 7-1 Noise Sidebands Normalized to 1 Hz BW vs. Offset from Carrier

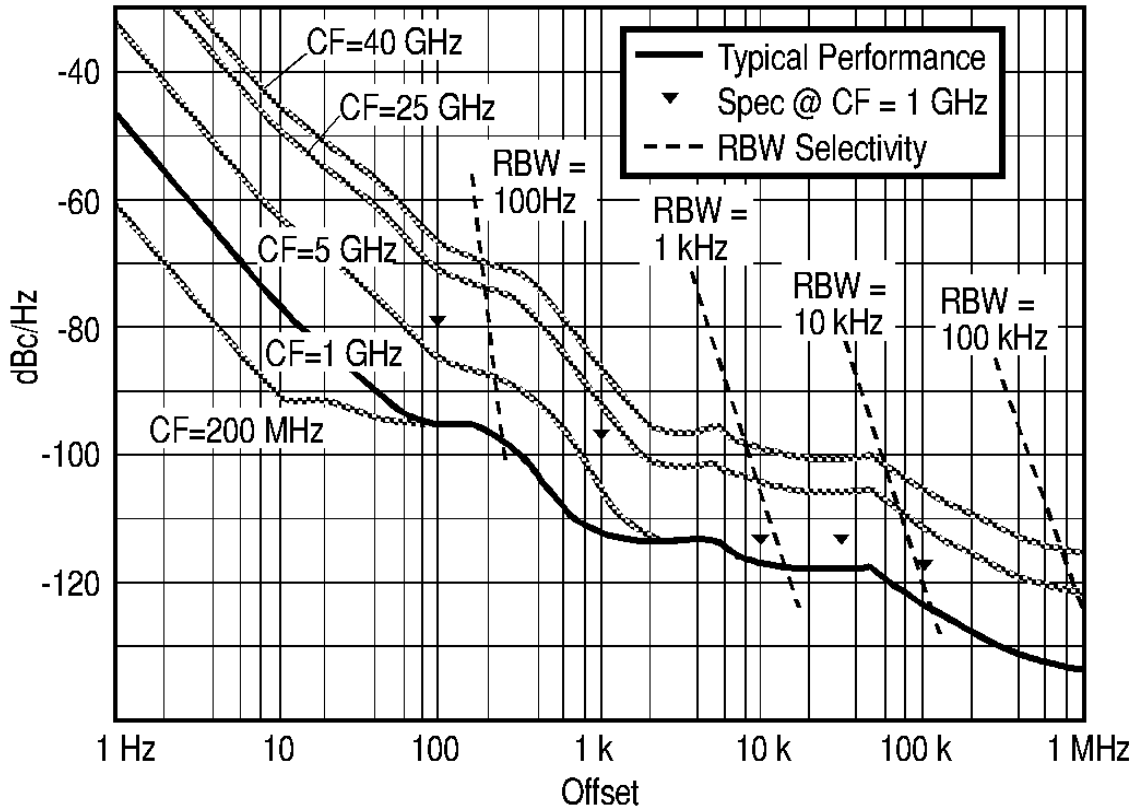
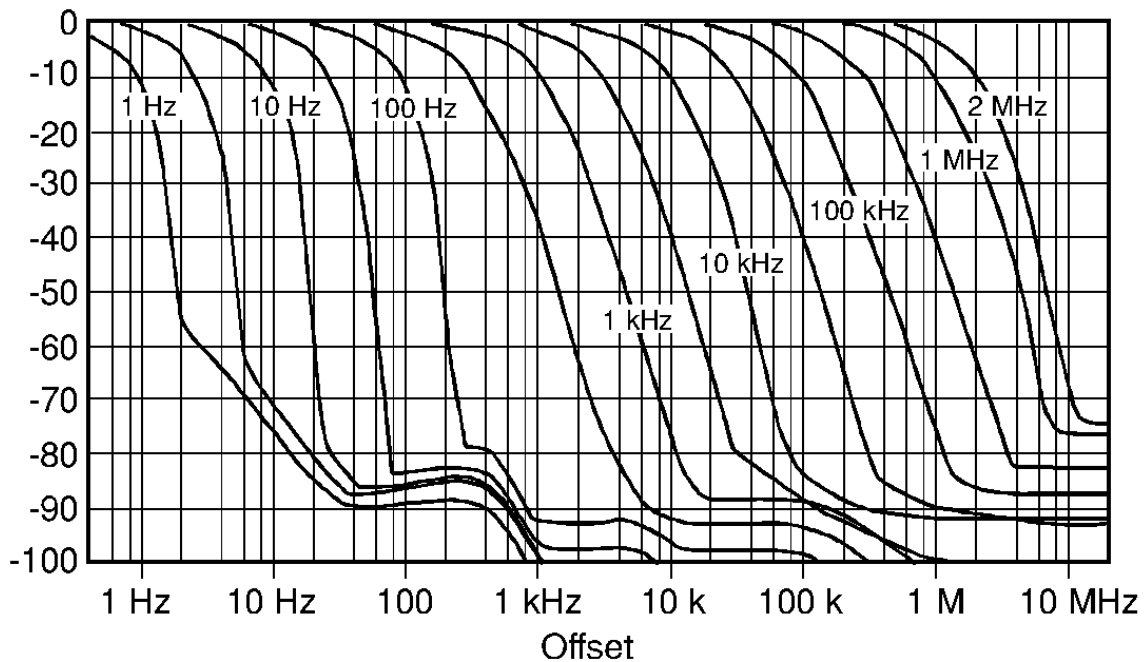


Figure 7-2 Typical On-Screen Dynamic Range vs. Offset from 1 GHz Center Freq. for all RBW's





## Sweep

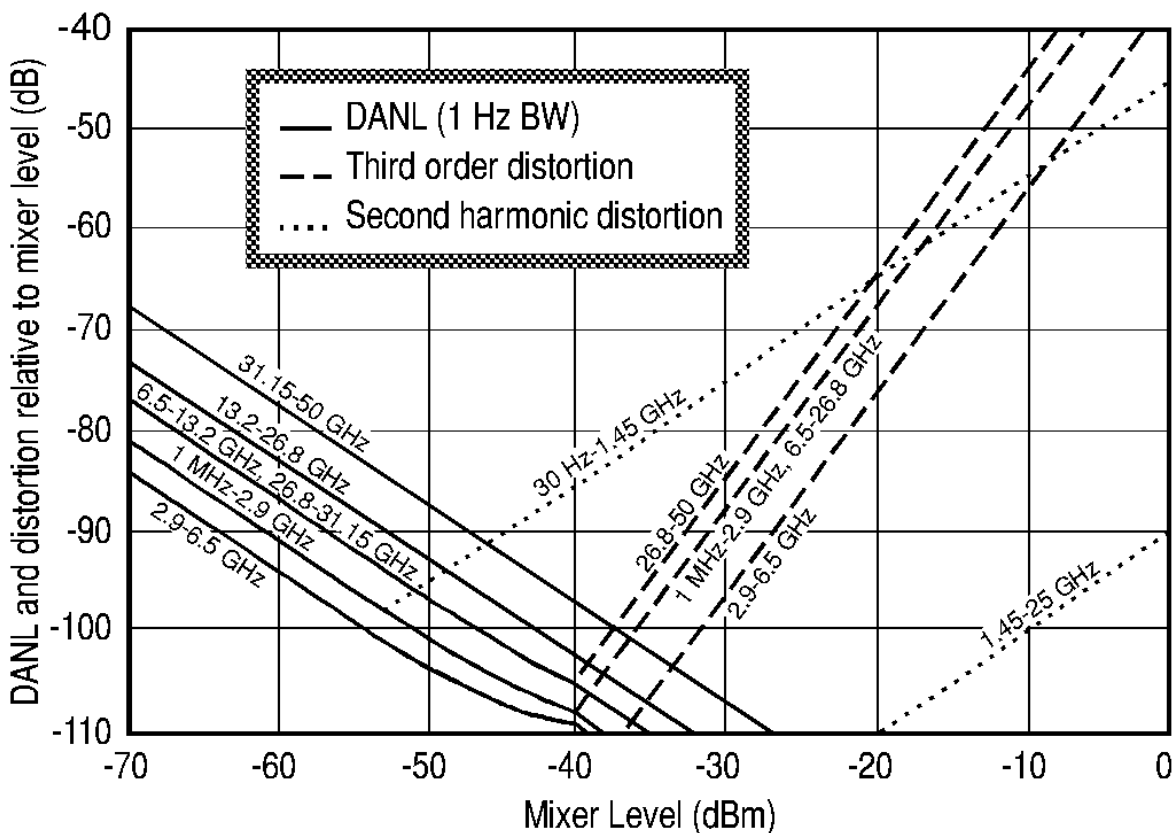
<b>Sweep Time Accuracy</b> Span $\geq$ 100 Hz	< $\pm$ 15%
--	-------------

<b>Resolution Bandwidth Usability* (Non-Option 103)</b>			
<b>RES BW</b>	<b>Maximum Usable Frequency</b>		
	<b>Video Average OFF</b>	<b>Video Average ON, 10 Video Averages</b>	
		<b>Source/Spectrum Analyzer Frequency References</b>	
		<b>Locked<sup>†</sup></b>	<b>Independent<sup>‡</sup></b>
$\geq$ 30 Hz	>50 GHz	>50 GHz	>26.5 GHz
10 Hz	>50 GHz	>50 GHz	>15 GHz
3 Hz	>50 GHz	>50 GHz	2 GHz
1 Hz	>50 GHz	>50 GHz	200 MHz
<p>* Resolution Bandwidth Usability is the maximum usable frequency for a given resolution bandwidth. The maximum usable frequency is limited by signal instability resulting from spectrum analyzer residual FM during the measurement interval. Measurements at frequencies less than the maximum usable frequency will have a typical amplitude uncertainty of less than 1 dB. These characteristics apply after a 30 minute warmup.</p> <p><sup>†</sup> Source and spectrum analyzer share the same frequency reference.</p> <p><sup>‡</sup> Source and spectrum analyzer do not share the same frequency reference.</p>			

## Amplitude Characteristics

### Dynamic Range

Figure 7-3 Nominal Dynamic Range



### Amplitude Measurement Range

Spurious Responses	Frequency Range	Distortion
(all input related spurious responses <1 kHz from the carrier)	10 MHz to 2.9 GHz	<-55 dBc

## Amplitude Accuracy

<b>Band-to-Band Frequency Response (dB)</b>							
Frequency response uncertainty for measurements between any two internal mixing bands. Equivalent to the sum of the two Relative Frequency Response values plus Band Switching Uncertainty.							
<b>Band 0.</b>	30 Hz to 2.9 GHz						
<b>Band 1.</b>	2.9 GHz to 6.46 GHz						
<b>Band 2.</b>	6.46 GHz to 13.2 GHz						
<b>Band 3A.</b>	13.2 GHz to 22 GHz						
<b>Band 3B.</b>	22 GHz to 26.8 GHz						
<b>Band 4.</b>	26.8 GHz to 31.15 GHz						
<b>Band 5.</b>	31.15 GHz to 50 GHz						
<b>Band-to-Band Frequency Response, 20 °C to 30 °C (dB peak-to-peak)</b>							
	<b>Band 0</b>	<b>Band 1</b>	<b>Band 2</b>	<b>Band 3A</b>	<b>Band 3B</b>	<b>Band 4</b>	<b>Band 5</b>
<b>Band 0</b>	n/a	3.2 dB	4.0 dB	4.3 dB	4.0 dB	4.7 dB	4.8 dB
<b>Band 1</b>	3.2 dB	n/a	4.6 dB	4.9 dB	4.6 dB	5.3 dB	5.4 dB
<b>Band 2</b>	4.0 dB	4.6 dB	n/a	5.7 dB	5.4 dB	6.1 dB	6.2 dB
<b>Band 3A</b>	4.3 dB	4.9 dB	5.7 dB	n/a	5.7 dB	6.4 dB	6.5 dB
<b>Band 3B</b>	4.0 dB	4.6 dB	5.4 dB	5.7 dB	n/a	6.1 dB	6.2 dB
<b>Band 4</b>	4.7 dB	5.3 dB	6.1 dB	6.4 dB	6.1 dB	n/a	6.9 dB
<b>Band 5</b>	4.8 dB	5.4 dB	6.2 dB	6.5 dB	6.2 dB	6.9 dB	n/a
<b>Band-to-Band Frequency Response, -10 °C to 55 °C (dB peak-to-peak)</b>							
	<b>Band 0</b>	<b>Band 1</b>	<b>Band 2</b>	<b>Band 3A</b>	<b>Band 3B</b>	<b>Band 4</b>	<b>Band 5</b>
<b>Band 0</b>	n/a	3.7 dB	4.6 dB	4.5 dB	5.3 dB	5.1 dB	5.2 dB
<b>Band 1</b>	3.7 dB	n/a	5.3 dB	5.2 dB	6.0 dB	5.8 dB	5.9 dB
<b>Band 2</b>	4.6 dB	5.3 dB	n/a	6.1 dB	6.9 dB	6.7 dB	6.8 dB
<b>Band 3A</b>	4.5 dB	5.2 dB	6.1 dB	n/a	6.8 dB	6.6 dB	6.7 dB
<b>Band 3B</b>	5.3 dB	6.0 dB	6.9 dB	6.8 dB	n/a	7.4 dB	7.5 dB
<b>Band 4</b>	5.1 dB	5.8 dB	6.7 dB	6.6 dB	7.4 dB	n/a	7.3 dB
<b>Band 5</b>	4.6 dB	5.3 dB	6.2 dB	6.1 dB	6.9 dB	6.7 dB	n/a

8565E/EC Specifications and Characteristics  
**Amplitude Characteristics**

<b>Input Attenuator Repeatability</b>	<±0.2 dB
<b>Input Attenuator Accuracy</b> 2.9 GHz to 18 GHz 18 GHz to 26.8 GHz 26.8 GHz to 50 GHz	<±1.5 dB/10 dB step, ±3.0 dB max. <±3.0 dB/10 dB step, ±6.0 dB max. <±3.0 dB/10 dB step, ±6.0 dB max.
<b>Pulse Digitization Uncertainty</b> (Pulse response mode, PRF >720/sweep time) Standard Deviation	<0.2 dB

<b>Marker Amplitude Resolution</b>	
EC-Series and E-Series with Option 007, sweep time < 30 ms, zero span)	
Scale:	LOG 10 dB/DIV
	LOG 5 dB/DIV
	LOG 2 dB/DIV
	LOG 1 dB/DIV
	LINEAR
	$\leq (1/2)$ dB
	$\leq (1/4)$ dB
	$\leq (1/10)$ dB
	$\leq (1/20)$ dB
	$\leq$ Reference Level/200

### Demodulation

<b>Spectrum Demodulation</b>	
Modulation Type	AM and FM (5 kHz peak deviation)
Audio Output	Internal speaker and phone jack with volume control.
Pause Time at Marker Frequency	100 ms to 60 s

### Radiated Immunity

<b>Radiated Immunity</b>
When tested at 3 V/m according to IEC 801-3/1984 the displayed average noise level will be within specifications over the full immunity test frequency range of 27 to 500 MHz except that at the immunity test frequency of 310.7 MHz $\pm$ selected resolution bandwidth the displayed average noise level may be up to -80 dBm. When the analyzer tuned frequency is identical to the immunity test signal frequency there may be signals of up to -90 dBm displayed on the screen.

## Inputs and Outputs Characteristics

**CAUTION** Any electrostatic discharge according to IEC 801-2/1991 to the center pins of any of the connectors may cause damage to the associated circuitry.

<b>INPUT 50Ω</b>	
Connector	Precision 2.4mm Male, front panel
Impedance	50 Ω
VSWR (at tuned frequency)	<1.5:1 for <2.9 GHz and ≥10 dB Input Attenuation <2.3:1 for <2.9 GHz and ≥10 dB Input Attenuation
LO Emission Level* (average)	
10 dB Input Attenuation	<-80 dBm
* Level of 1st LO, 3.0 to 6.8 GHz, present at INPUT 50Ω connector.	

<b>IF INPUT</b> <i>(Deleted on Option 002 and Option 327)</i>	
(2nd IF input for use with external mixers)	
Connector	SMA female, front panel
Impedance (dc coupled)	50 Ω
Frequency	310.7 MHz
Noise Figure	7 dB
1 dB Gain Compression Level	-23 dBm
Full Screen Level	-30 dBm
(Gain Compression and Full Screen Levels apply with 30 dB conversion loss setting and 0 dBm reference level.)	

<b>1ST LO OUTPUT</b>	
Connector	SMA female, front panel
Impedance	50 Ω
Frequency Range	3.0000 GHz to 6.8107 GHz <sup>†</sup>
<sup>†</sup> 3.8107 GHz to 6.8107 GHz for analyzers equipped with Option 002.	

<b>CAL OUTPUT</b>	
Connector	BNC female, front panel
Impedance	50 $\Omega$

<b>10 MHz REF IN/OUT</b>	
Connector	BNC female, rear panel
Impedance	50 $\Omega$
Output Amplitude	0 dBm
Input Frequency	10 MHz $\times (1 \pm 2 \times 10^{-5})$
Input Amplitude	-2 to +10 dBm
External Reference Phase Noise	
Analyzer noise sideband performance will not be degraded if the external reference phase noise is within the limits given below.	
<i>Non-Option 103</i>	<-135 dBc/Hz at 100 Hz offset
<i>Option 103</i>	<-110 dBc/Hz at 100 Hz offset

<b>VIDEO OUTPUT*</b>	
Connector	BNC female, rear panel
Impedance (dc coupled)	50 $\Omega$
Amplitude (RES BW $\geq$ 300 Hz)	0 to +1 V full scale
Scaling	
RES BW $\geq$ 300 Hz	linear or log 100 dB/V
RES BW $\leq$ 100 Hz	4.8 kHz, auto-ranged level with dc offset
* The VIDEO OUTPUT is a video signal for RES BW $\geq$ 300 Hz with switching transients and IF ADJ signals between sweeps. For RES BW $\leq$ 100 Hz the output is an IF signal with transients and IF ADJ signals between and during sweeps.	

8565E/EC Specifications and Characteristics  
**Inputs and Outputs Characteristics**

<p><b>LO SWP FAV OUTPUT and LO SWP 0.5 V/GHz OUTPUT*</b></p> <p>Connector</p> <p>Impedance (dc coupled)</p> <p>LO SWP OUTPUT (no load)</p> <p>0.5 V/GHz OUTPUT</p> <p style="padding-left: 20px;">Internal Mixer Mode</p> <p style="padding-left: 20px;">External Mixer Mode</p> <p>0.25 V/GHz OUTPUT<sup>†</sup></p>	<p>BNC female, rear panel</p> <p>120 Ω</p> <p>0 to + 10 V</p> <p>0.5 V/GHz of tuned frequency (no load)</p> <p><math>[(1.5 \text{ V/GHz}) \times \text{LO frequency}] - 0.2054 \text{ V} \pm 50 \text{ mV}</math></p> <p>0.25 V/GHz of tuned frequency (no load)</p>
---	--

\* This connector is labeled LO SWP | 0.5 V/GHz OUTPUT on older spectrum analyzers and LO SWP | FAV OUTPUT on newer spectrum analyzers.

<sup>†</sup> The 0.25 V/GHz output is available only in the 8564E/EC and 8565E/EC.

<p><b>BLKG/GATE OUTPUT</b></p> <p>Connector</p> <p>Impedance</p> <p>Blanking Mode</p> <p style="padding-left: 20px;">Amplitude during sweep</p> <p style="padding-left: 20px;">Amplitude during retrace</p> <p>Gate Mode</p> <p style="padding-left: 20px;">Gate On</p> <p style="padding-left: 20px;">Gate Off</p>	<p>BNC female, rear panel</p> <p>50 Ω</p> <p>Low TTL Level</p> <p>High TTL Level</p> <p>High TTL level</p> <p>Low TTL level</p>
---	---

<p><b>EXT/GATE TRIG INPUT</b></p> <p>Connector</p> <p>Impedance</p> <p>Trigger Level</p>	<p>BNC female, rear panel</p> <p>10 kΩ</p> <p>Settable to high TTL, or low TTL, or edge triggered TTL</p>
--	---

<p><b>PROBE POWER</b> (front panel)</p> <p>Voltage</p> <p>Current</p>	<p>+15 V dc, -12.6 V dc</p> <p>150 mA maximum, each</p>
---	---




<b>EARPHONE</b>	
Connector	1/8 inch miniature monophonic jack, rear panel
Power Output	0.2 W into 4 $\Omega$

<b>2ND IF OUT</b>			
<i>(Option 001 instruments only)</i>			
Connector	SMA female, rear panel		
Impedance	50 $\Omega$		
Frequency	310.7 MHz		
<b>Frequency Range</b>	<b>3 dB BW</b>	<b>Noise Figure</b>	<b>Conversion Gain</b>
10 kHz to 2.9 GHz			
serial number prefix <3641A	>28 MHz	25 dB	-6 dB
serial number prefix $\geq$ 3641A	>28 MHz	20 dB	1 dB
2.9 GHz to 6.5 GHz	>30 MHz	22 dB	-3 dB
6.5 GHz to 13.2 GHz	>30 MHz	26 dB	-7 dB
13.2 GHz to 22 GHz	>30 MHz	30 dB	-11 dB
22 GHz to 26.8 GHz	>30 MHz	32 dB	-13 dB
26.8 GHz to 31.15 GHz	>28 MHz	24 dB	-14 dB
31.15 GHz to 50 GHz	>28 MHz	34 dB	-14 dB


<b>ALT SWEEP OUT</b>	
<i>(Option 005 analyzers only)</i>	
Connector	BNC female, rear panel
Impedance	100 $\Omega$

## Regulatory Information

The following information applies to the 8565EC spectrum analyzer.

<b>DECLARATION OF CONFORMITY</b>	
According to ISO/IEC Guide 22 and CEN/CENELEC EN 45014	
<b>Manufacturer's Name:</b>	Agilent Technologies, Inc.
<b>Manufacturer's Address:</b>	1400 Fountaingrove Parkway Santa Rosa, CA 95403-1799 USA
Declares that the products	
<b>Product Name:</b>	Spectrum Analyzer
<b>Model Number:</b>	8560EC, 8561EC, 8562EC, 8563EC, 8564EC, 8565EC
<b>Product Options:</b>	This declaration covers all options of the above products.
Conform to the following product specifications:	
EMC: IEC 61326-1:1997+A1:1998 / EN 61326-1:1997+A1:1998	
<u>Standard</u>	<u>Limit</u>
CISPR 11:1990 / EN 55011-1991	Group 1, Class A
IEC 61000-4-2:1995+A1998 / EN 61000-4-2:1995	4 kV CD, 8 kV AD
IEC 61000-4-3:1995 / EN 61000-4-3:1995	3 V/m, 80 - 1000 MHz
IEC 61000-4-4:1995 / EN 61000-4-4:1995	0.5 kV sig., 1 kV power
IEC 61000-4-5:1995 / EN 61000-4-5:1996	0.5 kV L-L, 1 kV L-G
IEC 61000-4-6:1996 / EN 61000-4-6:1998	3 V, 0.15 - 80 MHz
IEC 61000-4-11:1994 / EN 61000-4-11:1998	1 cycle, 100%
Safety: IEC 61010-1:1990 + A1:1992 + A2:1995 / EN 61010-1:1993 +A2:1995 CAN/CSA-C22.2 No. 1010.1-92	
<b>Supplementary Information:</b> The products herewith comply with the requirements of the Low Voltage Directive 73/23/EEC and the EMC Directive 89/336/EEC and carry the CE-marking accordingly.	
Santa Rosa, CA, USA	18 Jan. 2000
	 Greg Pfeiffer/Quality Engineering Manager
For further information, please contact your local Agilent Technologies sales office, agent or distributor.	

The following information applies to the 8565E spectrum analyzer.

<b>DECLARATION OF CONFORMITY</b> According to ISO/IEC Guide 22 and CEN/CENELEC EN 45014	
<b>Manufacturer's Name:</b>	Agilent Technologies, Inc.
<b>Manufacturer's Address:</b>	1400 Fountaingrove Parkway Santa Rosa, CA 95403-1799 USA
Declares that the products	
<b>Product Name:</b>	Spectrum Analyzer
<b>Model Number:</b>	8560E, 8560EL, 8561E, 8562E, 8562EL, 8563E, 8564E, 8565E
<b>Product Options:</b>	This declaration covers all options of the above products.
Conform to the following product specifications:	
<u>Standard</u>	<u>Limit</u>
EMC: CISPR 11:1990 / EN 55011-1991	Group 1, Class A
IEC 801-2:1984/EN 50082-1:1992	4 kV CD, 8 kV AD
IEC 801-3:1984/EN 50082-1:1992	3 V/m, 80 - 1000 MHz
IEC 801-4:1988/EN 50082-1:1992	0.5 kV sig., 1 kV power
Safety: IEC 61010-1:1990 + A1:1992 + A2:1995 / EN 61010-1:1993 +A2:1995 CAN/CSA-C22.2 No. 1010.1-92	
<b>Supplementary Information:</b> The products herewith comply with the requirements of the Low Voltage Directive 73/23/EEC and the EMC Directive 89/336/EEC and carry the CE-marking accordingly.	
	
Santa Rosa, CA, USA	1 Nov. 2000
Greg Pfeiffer/Quality Engineering Manager	
For further information, please contact your local Agilent Technologies sales office, agent or distributor.	

### **Notice for Germany: Noise Declaration**

LpA < 70 dB am Arbeitsplatz (operator position) normaler Betrieb (normal position) nach DIN 45635 T. 19 (per ISO 7779)

### **CE: European Community**

The product design was approved for the European Community.

### **ISM1-A: Industrial Scientific and Medical Group 1, Class A**

The instrument meets the requirements of CISPER 11, Clause 4.

### **CSA: Canadian Standards Association**

The CSA mark is a registered trademark of the Canadian Standards Association. The product meets the requirements.

### **IEC: International Electrotechnical Commission**

This instrument has been designed and tested in accordance with IEC Publication 1010, Safety Requirements for Electronic Measuring Apparatus, and has been supplied in a safe condition. The instruction documentation contains information and warnings which must be followed by the user to ensure safe operation and to maintain the instrument in a safe condition.

This product conforms to Enclosure Protection IP 2 0 according to IEC-529. The enclosure protects against finger access to hazardous parts within the enclosure; the enclosure does not protect against the entrance of water.



## **What You'll Find in This Chapter**

These procedures test the electrical performance of the spectrum analyzer against the specifications. None of the test procedures requires removing the cover of the instrument.

The Agilent 3335A Synthesizer Level Generator has been discontinued and will neither be available from Agilent Technologies nor will technical support be available after October of the year 2000. Because of the unavailability of the Agilent 3335A, new performance test procedures were required that use different signal sources. In the event that the Agilent 3335A is not available, substitute these procedures for those of the same number found in Chapter 1 of Volume II, of the *Agilent 8560 E-Series and EC-Series Spectrum Analyzers Calibration Guide*. If you have an Agilent 3335A Synthesizer Level Generator you will find instructions for all performance tests in Chapter 1, of Volume II, of the calibration guide.

## Before You Start

There are three things you must do *before* starting performance verification or operation verification:

1. Switch the analyzer on and let it warm up in accordance with warm-up requirements in the specifications chapter.
2. After the analyzer has warmed up as specified, perform “Trace Alignment Procedure and Reference Level Calibration” in the user's guide.
3. Read the rest of this section before you start any of the tests.

## Test Equipment You'll Need

Table 8-2 lists the recommended test equipment for the performance tests. Any equipment that meets the critical specifications given in the table can be substituted for the recommended model (s). The table also lists the recommended equipment for the analyzer adjustment procedures. The adjustment procedures are located in the service guide.

## Recording Test Results

Record test results in the performance test record located in Chapter 2 of volume II, of the *Agilent Technologies 8560 E-Series and EC-Series Spectrum Analyzers Calibration Guide*. The test record lists test specifications and acceptable limits. We recommend that you make a copy of this table, record the complete test results on the copy, and keep the copy for your calibration test record. This record could prove invaluable in tracking gradual changes in test results over long periods of time.

## If the Analyzer Doesn't Meet Specifications

If the analyzer doesn't meet one or more of the specifications during testing, complete any remaining tests and record all test results on a copy of the test record. Refer to the user's guide chapter “If You Have A Problem”. If an error message is displayed, press **PRESET CAL**, and select **REALIGN LO & IF**. If the error message persists after the automatic RF, LO, and IF adjustments are completed, refer to the troubleshooting information in the user's guide.

## Calibration Cycle

The performance tests should be used to check the spectrum analyzer against its specifications every two years for the Agilent 8560E/EC, Agilent 8561E/EC, Agilent 8562E/EC, and Agilent 8563E/EC, and every one year for the Agilent 8564E/EC and Agilent 8565E/EC.

The frequency reference must be adjusted and checked at the same time. Refer to the “10 MHz Frequency Reference Adjustment” in the service guide.

**Table 8-1 Required Performance Tests: Agilent 3335A Source Not Available**

Test	8560E/EC	8561E/EC	8562E/EC	8563E/EC	8564E/EC	8565E/EC
11. Resolution Bandwidth Switching and IF Alignment Uncertainty	√	√	√	√	√	√
12. Resolution Bandwidth Accuracy and Selectivity	√	√	√	√	√	√
13. Input Attenuator Switching Uncertainty	√	√	√	√		
14. Input Attenuator Switching Uncertainty					√	√
15. IF Gain Uncertainty	√	√	√	√	√	√
16. Scale Fidelity	√	√	√	√	√	√
33. Second Harmonic Distortion	√					
34. Second Harmonic Distortion		√				
36. Frequency Response	√					
37. Frequency Response		√				
38. Frequency Response			√			
39. Frequency Response				√		
40. Frequency Response					√	
41. Frequency Response						√
43. Third Order Intermodulation Distortion	√					
44. Third Order Intermodulation Distortion		√				
45. Third Order Intermodulation Distortion			√	√		
46. Third Order Intermodulation Distortion					√	√



## Required Test Equipment

The following table lists the test equipment required to execute the performance test in this chapter. These test originally required the use of the Agilent 3335A Synthesizer Level Generator. For test equipment used in performance tests other than those listed in this chapter, refer to Table 10-1 in Volume II of the calibration guide.

**Table 8-2 Recommended Test Equipment**

Instrument	Critical Specifications for Equipment Substitution	Recommended Model	Use
<b>Sources</b>			
4. Synthesized Signal Generator	Frequency range: 250 kHz to 3 GHz Frequency resolution: 1 Hz Attenuator resolution: 0.02 dB Level accuracy: $\pm 0.5$ dB External 10 MHz Ref. Input	Agilent E4421 or Agilent E4422, Agilent E4432, Agilent E4433	P,A
Synthesized sweeper	Frequency range: 8560E, 10 MHz to 12.0 GHz Agilent 8561E, 10 MHz to 12.0 GHz Agilent 8562E, 10 MHz to 13.2 GHz Agilent 8563E, 10 MHz to 26.5 GHz Frequency accuracy (CW): $1 \times 10^{-9}$ /day Leveling modes: Internal & External Modulation modes: AM & Pulse Power level range: $-80$ to $+16$ dBm	Agilent 83640B* Agilent 83630A Opt 001, 008	P,A,T, M,V
Synthesized sweeper <i>(for Agilent 8564E and Agilent 8565E)</i>	Frequency range: Agilent 8564E, 10 MHz to 40.0 GHz Agilent 8565E, 10 MHz to 50.0 GHz Frequency accuracy (CW): $1 \times 10^{-9}$ /day Leveling mode: Internal Power level range: $-35$ to $+16$ dBm	Agilent 83650A Opt 001, 008	P,A,T, V
Function Generator	Frequency Range: 100 kHz to 250 kHz Frequency Accuracy: $\pm 0.02\%$	Agilent 3324A or Agilent 33120A	P

**Table 8-2 Recommended Test Equipment (Continued)**

Instrument	Critical Specifications for Equipment Substitution	Recommended Model	Use
<b>Receivers</b>			
Measuring receiver	Compatible w/power sensors dB relative mode Resolution: 0.01 dB Reference accuracy: <math>\pm 1.2\%</math>	Agilent 8902A*	P,A,T, M,V
<b>Sensors</b>			
Power sensor <i>(for 8560E, Agilent 8561E or Agilent 8562E)</i>	Frequency range: 10 MHz to 13.2 GHz Maximum SWR: 1.40 (10 to 30 MHz) 1.18 (30 to 50 MHz) 1.10 (50 MHz to 2 GHz) 1.18 (2 to 13.2 GHz)	Agilent 8481A*	P,A,T, M,V
Power sensor	Frequency range: 100 kHz to 2.9 GHz Maximum SWR: 1.1 (1 MHz to 2.0 GHz) 1.30 (2.0 GHz to 2.9 GHz)	Agilent 8482A*	P,A,T, M,V
Power sensor <i>(for Agilent 8563E)</i>	Frequency range: 50 MHz to 26.5 GHz Maximum SWR: 1.15 (50 to 100 MHz) 1.10 (100 MHz to 2 GHz) 1.15 (2.0 to 12.4 GHz) 1.20 (12.4 to 18 GHz) 1.25 (18 to 26.5 GHz)	Agilent 8485A*	P,A,T, M,V

**Table 8-2 Recommended Test Equipment (Continued)**

Instrument	Critical Specifications for Equipment Substitution	Recommended Model	Use
Power sensor <i>(for Agilent 8564E and Agilent 8565E)</i>	Frequency range: 50 MHz to 50 GHz Maximum SWR: 1.15 (50 to 100 MHz) 1.10 (100 MHz to 2 GHz) 1.15 (2.0 to 12.4 GHz) 1.20 (12.4 to 18 GHz) 1.25 (18 to 26.5 GHz) 1.30 (26.5 to 40 GHz) 1.50 (40 to 50 GHz)	Agilent 8487A	P,V
<b>Other Equipment</b>			
Digital voltmeter	Range: -15 Vdc to +120 Vdc Accuracy: <math>\pm 1\text{ mV}</math> on 10 V range Input impedance: $\geq 1\text{ M}\Omega$	Agilent 3458A*	A,T
<b>Probes</b>			
DVM test leads	$\geq 36$ inches, alligator clips, probe tips	Agilent 34118A	A,T
<b>Accessories</b>			
Directional bridge	Frequency range: 1 to 80 MHz Coupling: 6 dB (nominal) Maximum coupling deviation: <math>< 1\text{ dB}</math> (nominal) Directivity: 40 dB minimum Impedance: $50\ \Omega$ (nominal)	Agilent 8721A	P
Directional coupler <i>(for Agilent 8561E)</i> <i>(two required)</i>	Frequency range: 2.0 to 6.5 GHz Coupling: 16.0 dB (nominal) Maximum coupling deviation: $\pm 1\text{ dB}$ (nominal) Directivity: 14 dB minimum Flatness: 0.75 dB maximum VSWR: <math>< 1.45</math> Insertion loss: <math>< 1.3\text{ dB}</math>	0955-0098	P

**Table 8-2 Recommended Test Equipment (Continued)**

Instrument	Critical Specifications for Equipment Substitution	Recommended Model	Use
Directional coupler  <i>(for Agilent 8562E, Agilent 8563E, Agilent 8564E, and Agilent 8565E)</i>  <i>(two required)</i>	Frequency range: 2.0 to 8.1 GHz Coupling: 16.0 dB (nominal) Maximum coupling deviation: $\pm 1$ dB (nominal) Directivity: 14 dB minimum Flatness: 0.75 dB maximum VSWR: <1.45 Insertion loss: <1.3 dB	0955-0098	P
10 dB step attenuator	Attenuation range: 30 dB Frequency range: dc to 80 MHz Connectors: Type N (f)	Agilent 8496G Option 001	P,V
1 dB step attenuator	Attenuation range: 12 dB Frequency range: dc to 80 MHz Connectors: Type N (f)	Agilent 8494G Option 001	P,V
Attenuator Driver	Compatible with the Agilent 8496G and Agilent 8494G step attenuators.	Agilent 11713A	P,V
Attenuator Interconnector Kit	Type-N For Agilent 8496G and Agilent 8494G attenuators.	Agilent 11716A or Agilent 11716C	P,V
20 dB fixed attenuator	Frequency range: dc to 18 GHz Attenuation accuracy: $<\pm 1$ dB Maximum SWR: 1.2 (dc to 2.9 GHz)	Agilent 8491B Option 020	P,V
10 dB fixed attenuator	Frequency range: dc to 18 GHz Attenuation accuracy: $<\pm 0.6$ dB Maximum SWR: 1.2 (dc to 2.9 GHz)	Agilent 8491B Option 010	P,V
Termination <i>(for 8560E)</i>	Frequency range: dc to 2.9 GHz Impedance: 50 $\Omega$ Maximum SWR: <1.10 Connector: Type N (m)	Agilent 908A	P,M,V
Low-pass filter	Cutoff frequency: 50 MHz Rejection at 65 MHz: >40 dB Rejection at 75 MHz: >60 dB	0955-0306	P,M,V

**Table 8-2 Recommended Test Equipment (Continued)**

<b>Instrument</b>	<b>Critical Specifications for Equipment Substitution</b>	<b>Recommended Model</b>	<b>Use</b>
Low-pass filter <i>(two required for Agilent 8561E, Agilent 8562E, Agilent 8563E, Agilent 8564E, and Agilent 8565E)</i>	Cutoff frequency: 4.4 GHz Rejection at 5.5 GHz: >40 dB	Agilent 11689A RLC F-2634 9135-0005	P
Power splitter <i>(for 8560E or Agilent 8561E)</i>	Frequency range: 1 kHz to 12 GHz Insertion loss: 6 dB (nominal) Output tracking: <0.25 dB Equivalent output SWR: <1.22	Agilent 11667A	P,A,M, V
Power splitter <i>(for Agilent 8562E and Agilent 8563E)</i>	Frequency range: dc to 26.5 GHz Output tracking: <0.25 dB Insertion loss: 6 dB (nominal) Equivalent output SWR: <1.22	Agilent 11667B	
Power splitter <i>(for Agilent 8564E and Agilent 8565E)</i>	Frequency range: dc to 50 GHz Output tracking: <0.25 dB Insertion loss: 6 dB (nominal) Equivalent output SWR: <1.22	Agilent 11667C	
<b>Cables</b>			
Cable	Connectors: SMA (m) Length: 24 to 36 inches	8120-1578	P
Cable, 50 $\Omega$ coaxial <i>(four required)</i>	Connectors: BNC (m) Length: $\geq$ 122 cm (48 in.)	Agilent 10503A	P,A,V
Cable <i>(two required)</i>	Frequency range: 30 Hz to 26.5 GHz Maximum SWR: <1.4 at 26.5 GHz Maximum insertion loss: 3 dB Connectors: APC 3.5 (m), both ends Length: $\geq$ 61 cm (24 in.)	8120-4921	P,A,M, V
<b>Adapters</b>			
Adapter <i>(four required)</i>	Type N (m)-to-BNC (f)	1250-1476	P,A,V
Adapter	Type N (m)-to-N (m)	1250-1475	P

**Table 8-2 Recommended Test Equipment (Continued)**

<b>Instrument</b>	<b>Critical Specifications for Equipment Substitution</b>	<b>Recommended Model</b>	<b>Use</b>
Adapter <i>(two required)</i>	Type N (m)-to-APC 3.5 (m)	1250-1743	P,M,V
Adapter	Type N (m)-to-APC 3.5 (f)	1250-1744	P,V
Adapter	Type N (m)-to-BNC (m)	1250-1473	P
Adapter	Type N (m)-to-N (f)	1250-1472	P
Adapter <i>(two required)</i>	Type N (f)-to-APC 3.5 (f)	1250-1745	P,V
Adapter <i>(two required)</i>	Type N (m)-to-SMA (f)	1250-1250	P,V
Adapter <i>(two required)</i>	Type N (m)-to-SMA (m)	1250-1636	P,V
Adapter	Type N (f)-to-SMA (f)	1250-1772	P
Adapter	BNC tee (f) (m) (f)	1250-0781	P,A,M, V
Adapter	SMA (m)-to-SMA (m)	1250-1159	P,A,V
Adapter	BNC (f)-to-dual banana plug	1251-2816	A,T
Adapter	BNC (f)-to-dual banana plug	1251-1477	A,T
Adapter <i>(two required)</i>	APC 3.5 (f)-to-APC 3.5 (f)	5061-5311	P,M,V
Adapter <i>(two required)</i>	APC 3.5 (f)-to-APC 3.5 (f)	1250-1749	P,V
Adapter	APC 3.5 (f)-to-2.4 mm (f)	Agilent 11901B	P
Adapter	Type N (f)-to-2.4 mm (f)	Agilent 11903B	P,A,T, V
* Part of microwave workstation			
P = performance tests; A = adjustments; M = test & adjustment module; T = troubleshooting; V = operation verification			

### Using Agilent 11713A, Agilent 8494G, and Agilent 8496G

When using the programmable version of the 1 dB and 10 dB step attenuator—Agilent 8494G and Agilent 8496G, respectively—the Agilent 11713A attenuator/Switch Driver must be used to control the attenuators. The Agilent 8594G 1 dB step attenuator should be connected as Attenuator X and the Agilent 8496G 10 dB step attenuator should be connected as Attenuator Y.

Use [Table 8-3](#) to determine the settings for Attenuator X and Attenuator Y to achieve the desired attenuation value. In the Attenuator X and Attenuator Y columns, a “1” indicates that the selection is on—the LED in the button will be lit. An “0” in these columns indicates that the selection is off and the LED will be off. For example, if the 1 dB step attenuator is to be set 2 dB and the 10 dB step attenuator is to be set to 60 dB for a total of 62 db, then sections 2,6, and 7 should be on (lit) and all other sections should be off.

**Table 8-3 Agilent 11713A Settings for Agilent 8494G and Agilent 8496G**

1 dB Step Attenuator (dB)	Attenuator X				10 dB Step Attenuator (dB)	Attenuator Y			
	1	2	3	4		5	6	7	8
0	0	0	0	0	0	0	0	0	0
1	1	0	0	0	10	1	0	0	0
2	0	1	0	0	20	0	1	0	0
3	1	1	0	0	30	1	1	0	0
4	0	0	1	0	40	0	0	1	0
5	1	0	1	0	50	1	0	1	0
6	0	1	1	0	60	0	1	1	0
7	1	1	1	0	70	1	1	1	0
8	0	0	1	1	80	0	0	1	1
9	1	0	1	1	90	1	0	1	1
10	0	1	1	1	100	0	1	1	1
11	1	1	1	1	110	1	1	1	1

---

## 11a. Resolution Bandwidth Switching and IF Alignment Uncertainty

### Instrument Under Test

All 8560 E-Series and EC-Series except Option EMI

### Related Specifications

Resolution Bandwidth Switching Uncertainty

IF Alignment Uncertainty

### Related Adjustment

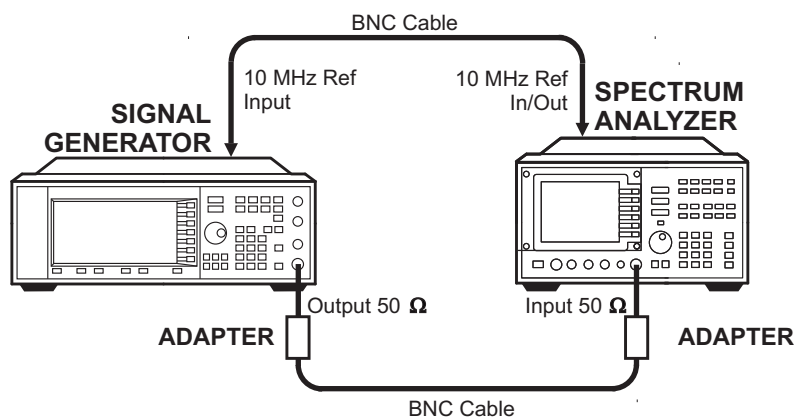
There is no related adjustment procedure for this performance test.

### Description

A signal source is applied to the input of the spectrum analyzer, and an amplitude reference is set with the RES BW at 300 kHz. At each of the analyzer resolution bandwidth settings, the amplitude of the source is adjusted to place the signal at the analyzer reference level. The source amplitude is compared with the amplitude at the analyzer 300 kHz RES BW setting. The difference between the settings equals the RES BW switching uncertainty. For the 300 Hz resolution bandwidth setting, the difference between settings equals the sum of the resolution bandwidth switching uncertainty and IF alignment uncertainty.

Figure 8-1

### Resolution BW Switching and IF Alignment Uncertainty Test Setup



wj11c



**11a. Resolution Bandwidth Switching and IF Alignment Uncertainty****Equipment**

Signal Generator . . . . . E4421B

**Adapters**Type N (m) to BNC (f) (2 *required*) . . . . . 1250-1476

Type N (f) to 2.4 mm (f) . . . . . 11903B

*(for Agilent 8564E and 8565E)***Cable**BNC, 122 cm (48 in.) (2 *required*) . . . . . 10503A**Procedure**

1. Connect the equipment as shown in [Figure 8-1](#). The spectrum analyzer provides the frequency reference for the Agilent E4421B.
2. Set the E4421B controls as follows:
  - Frequency . . . . . 50 MHz
  - Amplitude . . . . . -5 dBm
  - Amplitude increment . . . . . 0.02 dB
3. Press **PRESET**, **CAL**, and **FULL IF ADJ** on the spectrum analyzer. Wait for the IF ADJUST STATUS: message to disappear, then set the controls as follows:
  - Center frequency . . . . . 50 MHz
  - Span . . . . . 1 MHz
  - Log dB/division . . . . . 1 dB
  - Resolution BW . . . . . 300 kHz
4. On the spectrum analyzer, press **CAL** and **IF ADJ OFF**. Press **PEAK SEARCH**, **MKR** →, and **MARKER** → **REF LVL**. Wait for the completion of a new sweep.
5. Press **PEAK SEARCH** and **MARKER DELTA**.
6. Set the spectrum analyzer controls as follows:
  - Span . . . . . 10 MHz
  - Resolution BW . . . . . 2 MHz
  - Video BW/Resolution BW ratio . . . . . 0.100
7. On the spectrum analyzer, press **CAL** and **ADJ CURR IF STATE**. Wait for the IF ADJUST STATUS message to disappear.

### 11a. Resolution Bandwidth Switching and IF Alignment Uncertainty

8. On the spectrum analyzer, press **PEAK SEARCH**.
9. On the Agilent E4421B, press **Amplitude** and use the increment  $\downarrow$  and  $\uparrow$  keys to adjust the amplitude until the marker amplitude displayed on the spectrum analyzer reads  $0 \text{ dB} \pm 0.05 \text{ dB}$ .
10. If the peak is still off the screen, repeat [step 8](#) and [step 9](#).
11. Record the E4421B amplitude setting in [Table 8-4](#).
12. Calculate the amplitude difference by subtracting the E4421B Amplitude setting from  $-5 \text{ dBm}$ . Record the result as the amplitude difference in [Table 8-4](#).  
$$\text{Amplitude difference} = \text{E4421B Amplitude setting} - (-5 \text{ dBm})$$
13. On the spectrum analyzer, set the span and resolution bandwidth to the next settings listed in [Table 8-4](#).
14. Repeat [step 7](#) through [step 13](#) for the remaining spectrum analyzer SPAN and RES BW settings in [Table 8-4](#). The 3 Hz and 1 Hz RES BW settings are not available in analyzers with Option 103.

**Table 8-4**

**Resolution Bandwidth Switching and IF Alignment Uncertainty**

Spectrum Analyzer Settings		Signal Generator Amplitude (dBm) E4421B	Amplitude Difference (dB)	Measurement Uncertainty (dB)
Span	Res BW			
1 MHz	300 kHz	-5 (Ref.)	0 (Ref.)	±0.10
10 MHz	2 MHz			±0.10
5 MHz	1 MHz			±0.10
500 kHz	100 kHz			±0.10
100 kHz	30 kHz			±0.10
50 kHz	10 kHz			±0.10
10 kHz	3 kHz			±0.10
5 kHz	1 kHz			±0.10
1 kHz	300 Hz			±0.10
500 Hz	100 Hz			±0.10
100 Hz	30 Hz			±0.10
100 Hz	10 Hz			±0.10
100 Hz	3 Hz*			±0.10
100 Hz	1 Hz*			±0.10

\*These bandwidths are not available in spectrum analyzers with Option 103.

## **12a. Resolution Bandwidth Accuracy and Selectivity**

### **Instrument Under Test**

All 8560 E-Series and EC-Series, except Option EMI

### **Related Specifications**

Resolution Bandwidth Accuracy  
Resolution Bandwidth Selectivity

### **Related Adjustment**

There is no related adjustment procedure for this performance test.

### **Description**

The output of a signal source is connected to the input of the spectrum analyzer through a precision step attenuator set. The spectrum analyzer is set to a span approximately twice the resolution bandwidth setting (for measuring the  $-3$  dB bandwidth). The actual span error is determined by moving the source frequency and comparing the measured frequency difference to the actual difference between the two source frequencies.

The signal to the analyzer is then reduced in amplitude by 3 dB to determine the actual  $-3$  dB point. A marker reference is set and the signal amplitude is increased by 3 dB to its previous level. A sweep is then taken and the markers are used to measure the 3 dB bandwidth. The measured bandwidth is then corrected for the span error and a percent error between the ideal bandwidth and the corrected bandwidth is calculated and recorded.

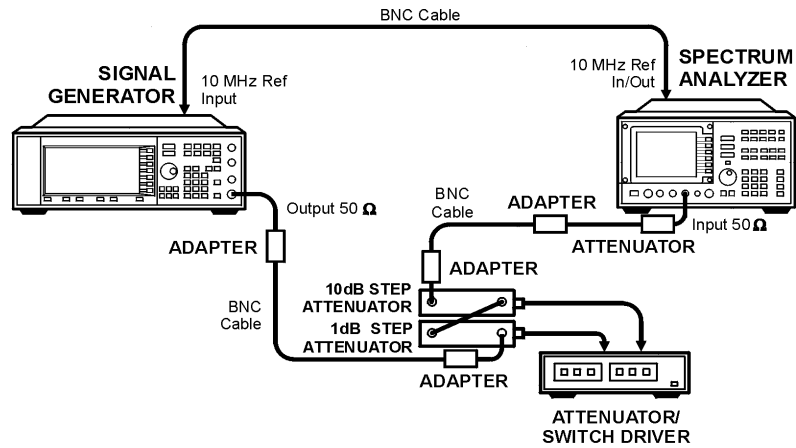
The span error is not measured in the narrower spans. To measure the span error accurately, the span-to-resolution bandwidth ratio should be approximately 100:1 with a resolution bandwidth  $\geq 300$  Hz. This criteria cannot be met in the narrower spans.

The  $-60$  dB bandwidths are measured in a similar manner, with the span set to about 15 to 20 times the resolution bandwidth setting. The ratio between the  $-60$  dB and  $-3$  dB bandwidths is calculated and recorded.

RES BW settings  $\leq 100$  Hz are not measured. These bandwidths are digitally-derived; therefore, their accuracy and shape are guaranteed by design.

**Figure 8-2**

**Resolution Bandwidth Accuracy and Selectivity Test Setup**



wj120c

**Equipment**

Signal Generator . . . . .	E4421B
Attenuator/Switch Driver . . . . .	11713A
1 dB Precision Step Attenuator . . . . .	8494G, Option 001
10 dB Precision Step Attenuator . . . . .	8496G, Option 001
Attenuator Interconnector Kit . . . . .	11716A

**Adapter**

BNC (f) to type N (m) (3 required) . . . . .	1250-1476
Type N (f) to 2.4 mm (f) . . . . .	11903B
<i>(for Agilent 8564E/EC and 8565E/EC)</i>	

**Cable**

BNC, 122 cm (48 in.) (3 required) . . . . .	10503A
---	--------

**Procedure**

1. Connect the equipment as shown in [Figure 8-2](#). The spectrum analyzer provides the frequency reference for the signal generator.

---

**NOTE**

---

The 11713A Attenuator/Switch Driver enables all attenuators upon powering up the device. In order to view the signal, the Switch Driver Attenuator X and Attenuator Y buttons must be off.

2. Set the Agilent E4421B controls as follows:

Frequency . . . . . 50 MHz  
Amplitude . . . . . -5 dBm

3. Set the 1 dB and 10 dB step attenuators as follows:

Step Attenuators . . . . . 0 dB

4. On the spectrum analyzer, press **PRESET**, **SAVE**, **SAVELOCK OFF**, **CAL**, and **FULL IF ADJ**. Wait for the **IF ADJUST STATUS**: message to disappear. Press **IF ADJ OFF**. Set the controls as follows:

Center frequency . . . . . 50 MHz  
Span . . . . . 4 MHz  
Log dB/division . . . . . 1 dB  
Resolution BW . . . . . 2 MHz  
Video BW . . . . . 300 Hz

### Resolution Bandwidth Accuracy

5. Adjust the Agilent E4421B output amplitude to place the signal two to three divisions (2 dB to 3 dB) below the reference level.
6. On the spectrum analyzer, press **CAL** and **ADJ CURR IF STATE**. Wait for the **IF ADJUST STATUS**: message to disappear before continuing.
7. If the RES BW setting is 3 kHz or less, proceed directly to [step 14](#).
8. Set the Agilent E4421B frequency to F1 as indicated in [Table 8-5](#) for the current RES BW setting of the analyzer.
9. On the spectrum analyzer, press **SAVE**, **SAVE STATE**, and **STATE 0**, then press **AUTO COUPLE**, **ALL**, **PEAK SEARCH**, and **MARKER DELTA**.
10. Set the Agilent E4421B frequency to F2 as indicated in [Table 8-5](#) for the current RES BW setting of the analyzer.

11. On the spectrum analyzer, press **PEAK SEARCH**. Record the  $\Delta$  MKR frequency reading as the actual SPAN measurement in [Table 8-6](#) for the RES BW setting to be measured.
12. On the spectrum analyzer, press **RECALL**, **RECALL STATE**, and **STATE 0**.
13. Set the Agilent E4421B frequency to 50 MHz.
14. Increase the 1 dB step attenuation to 3 dB. Note the 3 dB attenuator error by subtracting the ideal attenuation from the attenuator calibration value (actual attenuation):

$$\text{dB error} = \text{Actual attenuation} - \text{Ideal attenuation}$$

$$\text{Example: } -0.041 \text{ dB error} = 2.959 \text{ dB} - 3 \text{ dB}$$

$$\text{dB error} = \underline{\hspace{2cm}}$$

15. On the spectrum analyzer, press **PEAK SEARCH** and **MARKER DELTA**.
16. Decrease the 1 dB step attenuation 3 dB.
17. On the spectrum analyzer, press **SGL SWP** and wait for the completion of a new sweep.
18. Press **MKR** on the spectrum analyzer. Rotate the RPG knob counterclockwise until the  $\Delta$  MKR amplitude reads 0 dB plus the attenuator error calculated in [step 14](#)  $\pm 0.02$  dB.

The marker should be on the left-hand skirt of the signal.

If the marker cannot be set exactly to 0 dB plus the attenuator error calculated in step 13, note whether the marker is just above or just below the actual  $-3$  dB point.

19. Press **MARKER DELTA**, then rotate the RPG knob clockwise until the  $\Delta$  MKR amplitude reads 0 dB plus the attenuator error in step 13  $\pm 0.02$  dB.

The active marker should be on the right-hand skirt of the signal.

If the marker was set just above  $-3$  dB in the previous step, set the marker just below the  $-3$  dB point.

If the marker was set just below the  $-3$  dB point in the previous step, set the marker just above the  $-3$  dB point.

20. If the RES BW setting is 3 kHz or less, record the  $\Delta$  MKR frequency reading as the corrected  $-3$  dB bandwidth in [Table 8-6](#) and continue with step 23. There is no need to correct for span accuracy.
21. Record the  $\Delta$  MKR frequency reading as the measured  $-3$  dB bandwidth in [Table 8-6](#) for the current RES BW setting.

**12a. Resolution Bandwidth Accuracy and Selectivity**

22. Calculate the corrected –3 dB bandwidth as shown below and record the result in [Table 8-6](#).

$$\text{Corr } -3 \text{ dB BW} = (\text{actual span} / \text{ideal span}) \times \text{measured } -3 \text{ dB BW}$$

Example:

Resolution BW Setting = 1 MHz  
 Ideal Span = 1.0 MHz  
 Actual Span = 1.05 MHz  
 Measured –3 dB BW = 913 kHz

$$\text{Corr } -3 \text{ dB BW} = (1.05/1.00) \times 913 \text{ kHz} = 958.65 \text{ kHz}$$

23. Record the corrected –3 dB bandwidth in [Table 8-6](#) for the current RES BW setting.

24. Calculate the 3 dB BW error shown below and record the result in [Table 8-6](#) for the current RES BW setting.

$$3 \text{ dB BW error} = 100 \times (\text{corr'd } -3 \text{ dB BW} - \text{RES BW setting}) / \text{RES BW setting}$$

Following the example above:

$$3 \text{ dB BW error} = 100 \times (0.95865 \text{ MHz} - 1.0 \text{ MHz RES BW setting}) / 1.0 \text{ MHz RES BW setting} = -4.135\%$$

25. On the spectrum analyzer, press **MKR, MARKERS OFF, TRIG,** and **SWEEP CONT.**

26. Repeat [step 6](#) through [step 25](#) for the remaining RES BW and SPAN settings listed in [Table 8-5](#) and [Table 8-6](#).

**Resolution Bandwidth Selectivity**

27. Set the spectrum analyzer controls as follows:

Span ..... 20 MHz  
 Resolution BW ..... 2 MHz  
 Video BW ..... 300 Hz  
 Log dB/division ..... 10 dB

28. Set the Agilent E4421B as follows:

Amplitude ..... –3 dBm  
 Amplitude increment ..... 1 dB



29. On the spectrum analyzer, press **CAL** and **ADJ CURR IF STATE**. Wait for the **IF ADJUST STATUS**: message to disappear before continuing. Press **PEAK SEARCH**.
30. Adjust the E4421B Amplitude until the spectrum analyzer MKR amplitude reads 0 dBm ±1.00 dB.
31. Set the E4421B frequency to F1 as indicated in [Table 8-7](#) for the current spectrum analyzer RES BW setting.
32. On the spectrum analyzer, press **MKR**, **MARKERS OFF**, **SAVE**, **SAVE STATE**, **STATE 0**, **AUTO COUPLE**, and **ALL**. If the RES BW setting is now less than 300 Hz, press **BW**, 300, and **Hz**.
33. Press **PEAK SEARCH** and **MARKER DELTA**.
34. Set the E4421B frequency to F2 as indicated in [Table 8-7](#) for the current spectrum analyzer RES BW setting.
  
35. Press **PEAK SEARCH** on the spectrum analyzer. Record the Δ MKR frequency as the Actual SPAN Measurement in [Table 8-8](#) for the current RES BW setting.
36. On the spectrum analyzer, press **RECALL**, **RECALL STATE**, **STATE 0**.
37. Set the E4421B frequency to 50 MHz.
38. Increase the 10 dB step attenuation to 60 dB. Note the 60 dB attenuator error by subtracting the ideal attenuation from the attenuator calibration value (actual attenuation):  
$$\text{dB error} = \text{Actual attenuation} - \text{Ideal attenuation}$$

Example:  $-0.175 \text{ dB error} = 60.175 \text{ dB} - 60 \text{ dB}$
39. On the spectrum analyzer, press **PEAK SEARCH** and **MARKER DELTA**.
40. Decrease the 10 dB step attenuation to 0 dB.
41. On the spectrum analyzer, press **SGL SWP** and wait for the completion of a new sweep.
42. Press **MKR** on the spectrum analyzer. Rotate the RPG knob counterclockwise until the Δ MKR amplitude reads 0 dB plus the error calculated in step 37 ±0.8 dB. The marker should be on the left-hand skirt of the signal. If the marker cannot be set to exactly 0 dB, note whether the marker is just above or just below the actual –60 dB point.

## 12a. Resolution Bandwidth Accuracy and Selectivity

43. Press **MARKER DELTA** on the spectrum analyzer. Rotate the RPG knob clockwise until the  $\Delta$  MKR amplitude reads 0 dB plus the attenuation error calculated in [step 38](#)  $\pm 0.8$  dB. The active marker should be on the right-hand skirt of the signal. If the marker was set just above the  $-60$  dB point in the previous step, set the marker just below the  $-60$  dB point. If the marker was set just below the  $-60$  dB point in the preceding step, set the marker above the  $-60$  dB point.

44. Record the  $\Delta$  MKR reading as the Measured  $-60$  dB bandwidth in [Table 8-8](#) for the current RES BW setting.

45. Calculate the corrected  $-60$  dB bandwidth as shown below, then record the result in [Table 8-8](#).

$$\text{Corr } -60 \text{ dB BW} = (\text{actual span/ideal span}) \times \text{measured } -60 \text{ dB BW}$$

Example:

RES BW setting = 1 MHz

Ideal span = 16 MHz

Actual span = 17 MHz

Measured  $-60$  dB BW = 9.82 MHz

$$\text{Corr-60 dB BW} = (17/16) \times 9.82 \text{ MHz} = 10.43$$

46. Record the corrected  $-60$  dB BW in [Table 8-8](#) for the current RES BW setting.

47. Calculate the selectivity by dividing the corrected  $-60$  dB BW by the corrected  $-3$  dB BW from [Table 8-6](#), then record the result in [Table 8-8](#).

$$\text{Selectivity} = \text{corr } -60 \text{ dB BW} / \text{corr } -3 \text{ dB BW}$$

Example:

$$\text{Selectivity} = 10.43 \text{ MHz} / 0.9415 \text{ MHz} = 11.08$$

48. On the spectrum analyzer, press **MKR**, **MARKERS OFF**, **TRIG**, and **SWEEP CONT**.

49. Repeat [step 29](#) through [step 48](#) for the remaining RES BW and SPAN settings listed in [Table 8-7](#) and [Table 8-8](#).

**Table 8-5                   –3 dB Bandwidth Instrument Settings**

Spectrum Analyzer Settings		Signal Generator Frequencies		Measurement Uncertainty (%)
RES BW	SPAN	F1 (MHz)	F2 (MHz)	
2 MHz	4 MHz	49.0	51.0	±1.33
1 MHz	2 MHz	49.5	50.5	±1.33
300 kHz	500 kHz	49.85	50.15	±1.33
100 kHz	200 kHz	49.95	50.05	±1.33
30 kHz	50 kHz	49.985	50.015	±1.33
10 kHz	20 kHz	49.995	50.005	±1.33
3 kHz	5 kHz	N/A	N/A	±1.33
1 kHz	2 kHz	N/A	N/A	±1.33
300 Hz	600 Hz	N/A	N/A	±1.33

**Table 8-6                   –3 dB Bandwidth Measurement Data**

RES BW Setting	Span Measurement		–3 dB BW Measurement		3 dB BW Error (%)
	Ideal	Actual	Measured	Corrected	
2 MHz	2 MHz	MHz	MHz	MHz	
1 MHz	1.0 MHz	MHz	Hz	MHz	
300 kHz	300 kHz	kHz	KHz	kHz	
100 kHz	100 kHz	kHz	KHz	kHz	
30 kHz	30 kHz	kHz	KHz	kHz	
10 kHz	10 kHz	kHz	KHz	kHz	
3 kHz*	N/A	N/A	KHz	N/A	
1 kHz*	N/A	N/A	Hz	N/A	
300 Hz*	N/A	N/A	Hz	N/A	

\*Span Error Measurement not required for RES BW settings of 3 kHz and less.

**Table 8-7 –60 dB Bandwidth Instrument Settings**

Spectrum Analyzer Settings		Signal Generator Frequencies		Measurement Uncertainty (%)
RES BW	SPAN	F1 (MHz)	F2 (MHz)	
2 MHz	20 MHz	45.0	55.0	±2.8
1 MHz	20 MHz	42.0	58.0	±2.8
300 kHz	5 MHz	48.0	52.0	±2.8
100 kHz	2 MHz	49.2	50.8	±2.8
30 kHz	500 kHz	49.8	50.2	±2.8
10 kHz	200 kHz	49.92	50.08	±2.8
3 kHz	50 kHz	49.98	50.02	±2.8
1 kHz	20 kHz	49.992	50.008	±2.8
300 Hz	5 kHz	49.998	50.002	±2.8

**Table 8-8 –60 dB Bandwidth Measurement Data**

RES BW Setting	Span Measurement		–60 dB Bandwidth		Selectivity
	Ideal	Actual	Measured	Corrected	
2 MHz	10 MHz	MHz	MHz	MHz	
1 MHz	16 MHz	MHz	MHz	MHz	
300 kHz	4 MHz	MHz	MHz	MHz	
100 kHz	1.6 MHz	MHz	Hz	Hz	
30 kHz	400 kHz	kHz	kHz	kHz	
10 kHz	160 kHz	kHz	kHz	kHz	
3 kHz	40 kHz	kHz	kHz	kHz	
1 kHz	16 kHz	kHz	kHz	kHz	
300 Hz	4 kHz	kHz	kHz	kHz	

## 13a. Input Attenuator Switching Uncertainty: 8560E/EC, 8561E/EC, 8562E/EC, and 8563E/EC

### Instrument Under Test

8560E/EC  
8561E/EC  
8562E/EC  
8563E/EC

### Related Specification

Input Attenuator Switching Uncertainty

### Related Adjustment

There is no related adjustment procedure for this performance test.

### Description

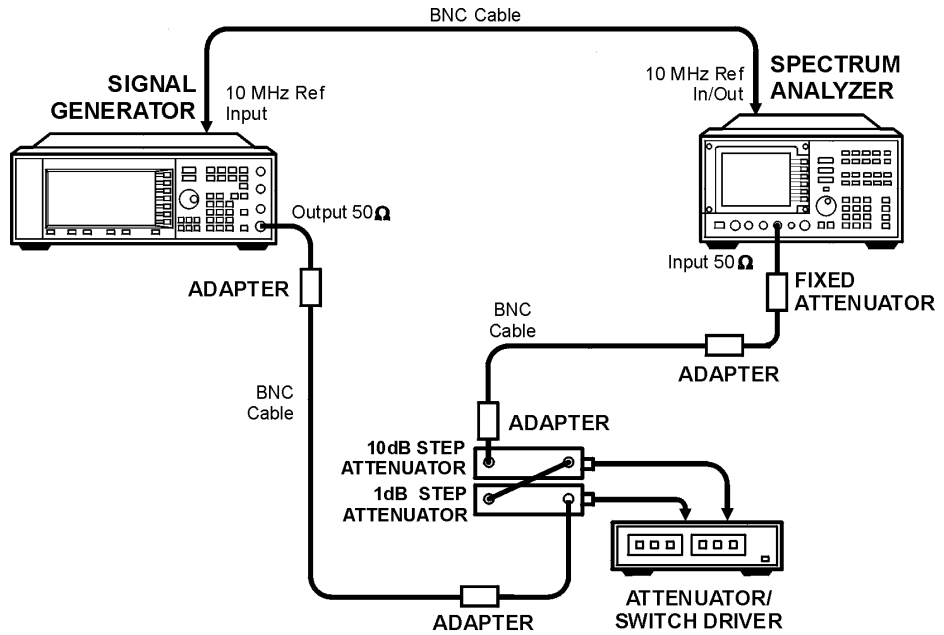
This test measures the input attenuator switching uncertainty over the full 70 dB range at 50 MHz. The signal generator is phase-locked to the spectrum analyzer 10 MHz reference. Switching uncertainty is referenced to the 10 dB attenuator setting. The calibrated precision step attenuators are the measurement standard.

The input attenuator switching uncertainty at 2.9 GHz is measured using IF substitution. The IF gains are characterized at 50 MHz.

**13a. Input Attenuator Switching Uncertainty: 8560E/EC, 8561E/EC, 8562E/EC, and 8563E/EC**

**Figure 8-3**

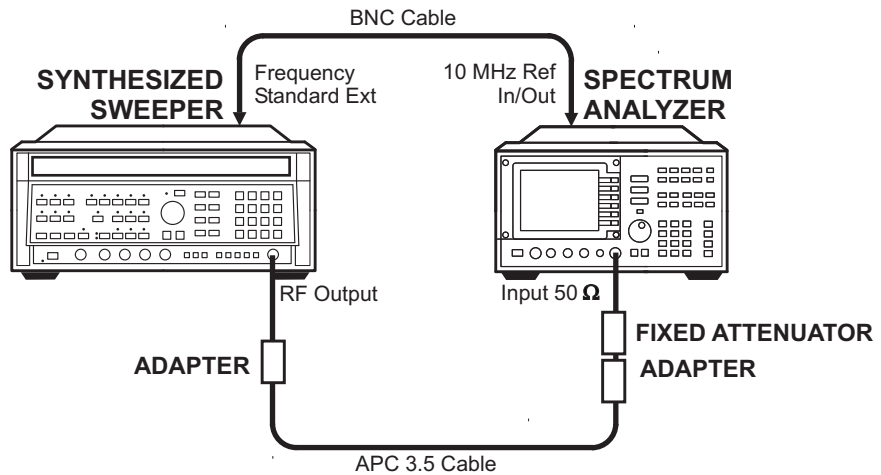
**Input Attenuator Test Setup, 50 MHz**



wj122c

**Figure 8-4**

**Input Attenuator Test Setup, >50 MHz**



wj113c

**Equipment**

Synthesized sweeper .....	83640B
Signal Generator.....	E4421B
Attenuator/Switch Driver.....	11713A
1 dB Precision Step Attenuator .....	8494G, Option 001
10 dB Precision Step Attenuator .....	8496G, Option 001

**13a. Input Attenuator Switching Uncertainty: 8560E/EC, 8561E/EC, 8562E/EC, and 8563E/EC**

Attenuator Interconnector Kit . . . . .	11716A
20 dB coaxial fixed attenuator . . . . .	8491B (Option 020)
10 dB coaxial fixed attenuator . . . . .	8491B (Option 010)

**Adapters**

Type N (m) to BNC (f) ( <i>4 required</i> ) . . . . .	1250-1476
Type N (m) to APC 3.5 (f) . . . . .	1250-1744
APC 3.5 (f) to APC 2.4 (f) . . . . .	11901B

**Cables**

BNC, 122 cm (48 in.) ( <i>3 required</i> ) . . . . .	10503A
APC 3.5 mm (36 in.) . . . . .	8120-4921

**Procedure****Attenuator Switching Uncertainty (50 MHz)**

1. Connect the equipment as shown in [Figure 8-3](#) using the Agilent 8491B Option 020. The spectrum analyzer provides the frequency reference for the E4421B.
2. Set the E4421B controls as follows:
 

Frequency . . . . .	50 MHz
Amplitude . . . . .	10 dBm
3. Set the step attenuators to 60 dB.
4. On the spectrum analyzer, press **PRESET**, **CAL** and **REALIGN LO &IF**. Wait for adjustments to complete. Then, set the controls as follows:
 

Center frequency . . . . .	50 MHz
Span . . . . .	0 Hz
Reference level . . . . .	-70 dBm
Log dB/division . . . . .	1 dB
Resolution BW . . . . .	3 kHz
Video BW . . . . .	1 Hz

**13a. Input Attenuator Switching Uncertainty: 8560E/EC, 8561E/EC, 8562E/EC, and 8563E/EC**

5. Set the 1 dB step attenuator to 0 dB.
6. Adjust the source amplitude to place the signal 2 to 3 dB (two to three divisions) below the spectrum analyzer reference level.
7. Enter the actual attenuation for the 10 dB attenuator setting (calibration data) into [Table 8-9](#).  
  
For the 40 dB attenuator setting, use the attenuator calibration data section 4 setting and data.
8. To determine the values to be entered for each ideal  $\Delta$  MKR reading in [Table 8-9](#), subtract the actual attenuation value from the attenuation value of the 10 dB step attenuator recorded for the 60 dB step.
9. On the spectrum analyzer, press **SGL SWP** and **SGL SWP**.
10. Wait for a new sweep to finish. Press **MKR** and **MARKER DELTA**.
11. Set the 10 dB step attenuator to the next setting, as indicated under 10 dB step attenuator setting in [Table 8-9](#).
12. On the spectrum analyzer, set the reference level and the input attenuation to the next settings as indicated in [Table 8-9](#) as follows:
  - a. Press **AMPLITUDE** and **REF LVL**, then enter the indicated value and press **-dBm**.
  - b. Press **ATTEN**, then enter the indicated value and press **dB**.
13. On the spectrum analyzer, press **SGL SWP**.
14. Wait for a sweep to finish. Record the  $\Delta$  MKR amplitude in [Table 8-9](#) as the actual  $\Delta$  MKR reading.
15. Repeat [step 11](#) through [step 14](#) for each 10 dB step attenuator setting in [Table 8-9](#).
16. For each analyzer attenuator setting in [Table 8-9](#), other than 10 dB, subtract the actual  $\Delta$  MKR reading from the ideal  $\Delta$  MKR reading and record the result as the cumulative switching uncertainty (CSU).

$$\text{CSU} = \text{ideal } \Delta \text{ MKR reading} - \text{corrected } \Delta \text{ MKR reading}$$

17. For each analyzer attenuator setting from 20 dB through 70 dB in [Table 8-9](#), subtract the CSU value of the preceding setting from the current CSU value and record the result in incremental switching uncertainty (ISU) column.

$$\text{ISU} = \text{current CSU} - \text{previous CSU}$$



**13a. Input Attenuator Switching Uncertainty: 8560E/EC, 8561E/EC, 8562E/EC, and 8563E/EC**

18. Set the step attenuator to 0 dB.
19. Set the E4421B controls as follows:
- Frequency ..... 50 MHz  
 Amplitude .....+5 dBm  
 RF Output .....On
20. On the spectrum analyzer, press **PRESET**, **CAL**, **REALIGN LO AND IF**. Wait for adjustments to complete. Then, set the controls as follows:
- Center frequency ..... 50 MHz  
 Span ..... 0 Hz  
 Reference level .....-10 dBm  
 Attenuation ..... 0 dB  
 Log dB/division ..... 1 dB  
 Resolution BW ..... 1 kHz  
 Video BW ..... 1 Hz
21. Set the 1 dB step attenuator to 5 dB and replace the 8491B Option 020 with the 8491B Option 010 10 dB attenuator.
22. Adjust the source amplitude to place the signal 2 to 3 dB (two to three divisions) below the reference level.
23. On the spectrum analyzer, press **MKR** and **MARKER DELTA**.
24. Enter the actual 10 dB step attenuator values in [Table 8-10](#) using the attenuator calibration data.
- For the 40 dB attenuator step, use the attenuator calibration data section 4 setting and data.
25. Set the 10 dB step attenuator and the spectrum analyzer **REF LVL** according to [Table 8-10](#). Record the spectrum analyzer  $\Delta$  MKR reading for each setting as the actual  $\Delta$  MKR reading.
26. For each 10 dB step attenuator setting in [Table 8-10](#), add the  $\Delta$  MKR reading to the actual 10 dB step attenuator value. Record the result as the IF gain deviation.

**13a. Input Attenuator Switching Uncertainty: 8560E/EC, 8561E/EC, 8562E/EC, and 8563E/EC**

**Calculating IF Gain Correction**

27. Calculate and record the IF gain correction factors in [Table 8-11](#) as described in the following steps:
28. For each IF gain correction entry, there is a pair of numbers in parentheses. These numbers represent spectrum analyzer REF LVL settings from [Table 8-10](#).
29. Look up the IF gain deviation values in [Table 8-10](#) that correspond to these REF LVL settings.
  - a. Substitute test values for the numbers in parentheses in the IF gain correction entry and calculate the correction value.
30. As an example, when calculating the IF gain correction for the 20 dB ATTEN setting, look up the IF gain deviation values listed in [Table 8-10](#) for the -30 dBm and -20 dBm REF LVL settings.

If the IF gain deviation for the -30 dBm REF LVL is +0.2 dB and the IF gain deviation for the -20 dBm REF LVL is -0.3 dB, then the IF gain correction for the 20 dB ATTEN setting is:

$$(+0.2) - (-0.3) = +0.5 \text{ dB}$$

**Input Attenuator Switching Uncertainty, 2.9 GHz**

31. Connect the equipment as shown in [Figure 8-4](#) using the 8491B Option 010 10 dB attenuator. The spectrum analyzer provides the frequency reference for the 83640B.
32. On the spectrum analyzer, press **FREQUENCY**, 2.9, and **GHz**.
33. On the spectrum analyzer, press **AMPLITUDE**, 10, **-dBm**, **ATTEN**, 10, **+dBm**, **MKR**, and **MARKERS OFF**.
34. On the Agilent 83640B, press **INSTR PRESET** and set the controls as follows:  
CW frequency . . . . . 2.9 GHz  
Power level . . . . . 0 dBm
35. On the spectrum analyzer, press **MKR**.
36. Adjust the 83640B **POWER LEVEL** for a spectrum analyzer MKR amplitude reading of -13 dBm ±0.05 dB.
37. On the spectrum analyzer, press **MKR**, **MARKER DELTA**, **AMPLITUDE**, **ATTEN**, 20, **dB**.
38. After a new sweep has finished, record the spectrum analyzer Δ MKR

**13a. Input Attenuator Switching Uncertainty: 8560E/EC, 8561E/EC, 8562E/EC, and 8563E/EC**

amplitude reading in [Table 8-11](#) as the  $\Delta$  MKR Reading.

39. Set the spectrum analyzer **ATTEN** to the settings indicated in [Table 8-11](#). Repeat [step 38](#) for each **ATTEN** setting.
40. For each **ATTEN** setting in [Table 8-11](#), subtract the IF gain correction from the  $\Delta$  MKR reading and record the result as the CSU.
41. For each analyzer attenuator setting from 20 dB through 70 dB, subtract the CSU value of the preceding setting from the current CSU value and record the result in [Table 8-11](#) as the ISU.

$$\text{ISU} = \text{current CSU} - \text{previous CSU}$$

**Table 8-9 Input Attenuator Switching Accuracy, 50 MHz**

10 dB Step Attenuator Setting (dB)	Spectrum Analyzer		10 dB Step Attenuator Actual Attenuation (dB)	$\Delta$ MKR Reading		Results		Uncertainty
	REF LVL (dBm)	Atten (dB)		Ideal (dB)	Actual (dB)	CSU (dB)	ISU (dB)	Measurement (dB)
60	-70	10		0 (Ref.)	0 (Ref.)	0 (Ref.)	0 (Ref.)	0 (Ref.)
50	-60	20						$\pm 0.14$
40	-50	30						$\pm 0.14$
30	-40	40						$\pm 0.12$
20	-30	50						$\pm 0.12$
10	-20	60						$\pm 0.12$
0	-10	70						$\pm 0.12$

**13a. Input Attenuator Switching Uncertainty: 8560E/EC, 8561E/EC, 8562E/EC, and 8563E/EC****Table 8-10 IF Gain Deviation**

Spectrum Analyzer Ref Lvl (dBm)	10 dB Step Attenuator Setting (dB)	10 dB Step Attenuator Actual (dB)	$\Delta$ MKR Reading (dB)	IF Gain Deviation (dB)
-10	0	0 (Ref.)	0 (Ref.)	0 (Ref.)
-20	10			
-30	20			
-40	30			
-50	40			
-60	50			
-70	60			
-80	70			

**Table 8-11 Input Attenuator Switching Uncertainty, 2.9 GHz**

Spectrum Analyzer ATTEN (dB)	$\Delta$ MKR Reading (dB)	IF Gain Correction (dB)	Uncertainty		
			CSU (dB)	ISU (dB)	Measurement (dB)
10	0 (Ref.)	0 (Ref.)	0 (Ref.)	0 (Ref.)	0 (Ref.)
20		[(-30)- (-20)]			$\pm 0.23$
30		[(-40)- (-20)]			$\pm 0.23$
40		[(-50)- (-20)]			$\pm 0.23$
50		[(-60)- (-20)]			$\pm 0.23$
60		[(-70)- (-20)]			$\pm 0.24$
70		[(-80)- (-20)]			$\pm 0.24$

## 14a. Input Attenuator Switching Uncertainty: 8564E/EC and 8565E/EC

### Instrument Under Test

8564E/EC

8565E/EC

### Related Specification

Input Attenuator Switching Uncertainty

### Related Adjustment

There is no related adjustment procedure for this performance test.

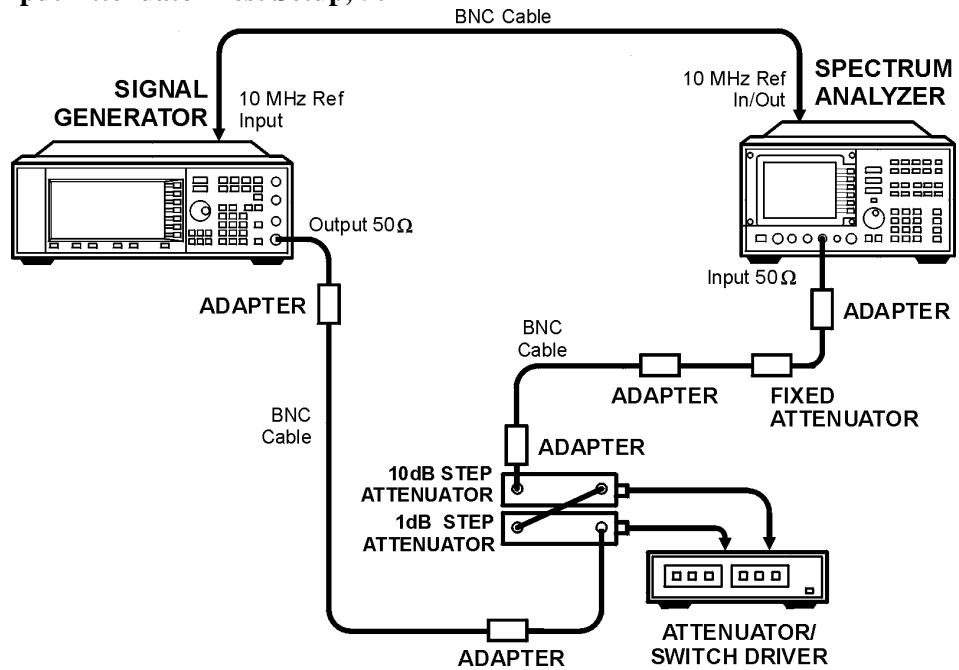
### Description

This test measures the input attenuator switching uncertainty over the full 70 dB range at 50 MHz. The signal generator is phase-locked to the spectrum analyzer 10 MHz reference. Switching uncertainty is referenced to the 10 dB attenuator setting. The calibrated precision step attenuators are the measurement standard.

The input attenuator switching uncertainty at 2.9 GHz is measured using IF substitution. The IF gains are characterized at 50 MHz.

Figure 8-5

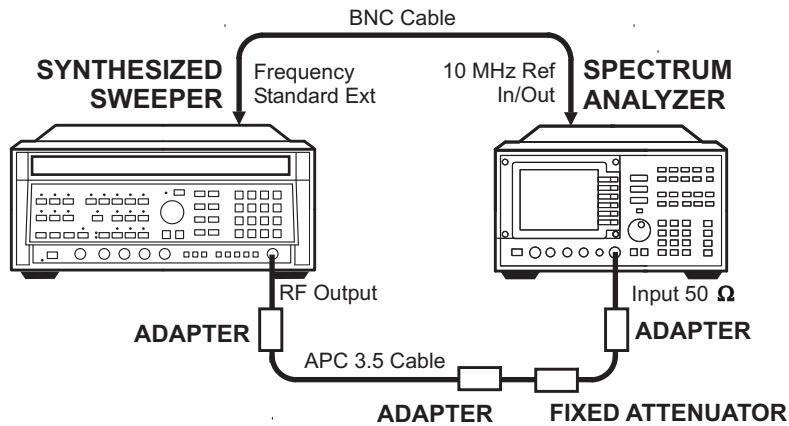
Input Attenuator Test Setup, 50 MHz



wj121c

Figure 8-6

Input Attenuator Test Setup, >50 MHz



wj110c

### Equipment

Synthesized sweeper .....	83640B
Signal Generator.....	E4421B
Attenuator/Switch Driver.....	11713A
1 dB Precision Step Attenuator .....	8494G, Option 001
10 dB Precision Step Attenuator .....	8496G, Option 001

**14a. Input Attenuator Switching Uncertainty: 8564E/EC and 8565E/EC**

Attenuator Interconnector Kit . . . . .	11716A
20 dB coaxial fixed attenuator . . . . .	8491B (Option 020)
10 dB coaxial fixed attenuator . . . . .	8491B (Option 010)

**Adapters**

Type N (m) to BNC (f) ( <i>4 required</i> ) . . . . .	1250-1476
Type N (m) to APC 3.5 (f) . . . . .	1250-1744
APC 2.4 (f) to APC 3.5 (f) . . . . .	11901B
Type N (f) to 2.4 mm (f) . . . . .	11903B

**Cables**

BNC, 122 cm (48 in.) ( <i>3 required</i> ) . . . . .	10503A
APC 3.5 mm . . . . .	8120-4921

**Procedure****Attenuator Switching Uncertainty (50 MHz)**

1. Connect the equipment as shown in [Figure 8-5](#) using the 8491B Option 020. The spectrum analyzer provides the frequency reference for the E4421B.
2. Set the E4421B controls as follows:
 

Frequency . . . . .	50 MHz
Amplitude . . . . .	10 dBm
RF Output . . . . .	On
3. Set the step attenuators as follows:
 

Step Attenuators . . . . .	50 dB
----------------------------	-------

**14a. Input Attenuator Switching Uncertainty: 8564E/EC and 8565E/EC**

4. On the spectrum analyzer, press **PRESET**, **CAL**, and **REALIGN LO & IF**. Wait for adjustments to complete. Then, set the controls as follows:

Center frequency . . . . . 50 MHz  
Span . . . . . 0 Hz  
Reference level . . . . . -60 dBm  
Log dB/division . . . . . 1 dB  
Resolution BW . . . . . 3 kHz  
Video BW . . . . . 1 Hz

5. Set the 1 dB step attenuator to 0 dB.
6. Adjust the source amplitude to place the signal 2 to 3 dB (two to three divisions) below the spectrum analyzer reference level.
7. Enter the actual attenuation for the 10 dB attenuator setting (calibration data) into [Table 8-12](#).

For the 40 dB attenuator setting, use the attenuator calibration data section 4 setting and data.

8. To determine the values to be entered for each ideal  $\Delta$  MKR reading in [Table 8-12](#), subtract the 10dB attenuation actual value from the 10dB step attenuator actual value recorded for the 50 dB step.
9. On the spectrum analyzer, press **SWP**, and **SGL SWP**.
10. Wait for a new sweep to finish. Press **MKR** and **MARKER DELTA**.
11. Set the 10 dB step attenuator to the next setting, as indicated under 10 dB step attenuator setting in [Table 8-9](#).

12. On the spectrum analyzer, set the reference level and the input attenuation to the next settings as indicated in [Table 8-12](#) as follows:
  - a. Press **AMPLITUDE** and **REF LVL**, then enter the indicated value and press **-dBm**.
  - b. Press **ATTEN**, then enter the indicated value and press **dB**.

13. On the spectrum analyzer, press **SGL SWP**.
14. Wait for a sweep to finish. Record the  $\Delta$  MKR amplitude in [Table 8-12](#) as the actual  $\Delta$  MKR reading.
15. Subtract the 10dB step attenuator actual attenuator value from the 10 dB step attenuator setting and add the difference to the actual  $\Delta$  MKR reading, then record the sum as the corrected  $\Delta$  MKR reading in [Table 8-12](#).

16. Repeat [step 11](#) through [step 14](#) for each row of instrument settings in [Table 8-12](#).
17. For each analyzer attenuator setting in [Table 8-12](#), other than 10 dB, subtract



**14a. Input Attenuator Switching Uncertainty: 8564E/EC and 8565E/EC**

the corrected  $\Delta$  MKR reading from the ideal  $\Delta$  MKR reading and record the result as the cumulative switching uncertainty (CSU).

$$\text{CSU} = \text{ideal } \Delta \text{ MKR reading} - \text{corrected } \Delta \text{ MKR reading}$$

18. For each analyzer attenuator setting from 20 dB through 70 dB in [Table 8-12](#), subtract the CSU value of the preceding setting from the current CSU value and record the result in incremental switching uncertainty (ISU) column.

$$\text{ISU} = \text{current CSU} - \text{previous CSU}$$

19. Set the E4421B controls as follows:

Frequency . . . . . 50 MHz  
 Amplitude . . . . . +5 dBm  
 Step Attenuators . . . . . 0 dB  
 RF Output . . . . . On

20. On the spectrum analyzer, press **PRESET**, **CAL**, and **REALIGN LO AND IF**. When adjustments are complete, set the controls as follows:

Center frequency . . . . . 50 MHz  
 Span . . . . . 0 Hz  
 Reference level . . . . . -10 dBm  
 Attenuation . . . . . 0 dB  
 Log dB/division . . . . . 1 dB  
 Resolution BW . . . . . 1 kHz  
 Video BW . . . . . 1 Hz

21. Set the 1 dB attenuator to 5 dB and replace the 8491B Option 020 with the 8491B Option 010 10 dB attenuator.
22. Adjust the source amplitude to place the signal 2 to 3 dB (two to three divisions) below the reference level.
23. On the spectrum analyzer, press **MKR** and **MARKER DELTA**.
24. Enter the actual 10 dB step attenuator values in [Table 8-13](#) using the attenuator calibration data.
- For the 40 dB attenuator step, use the attenuator calibration data section 4 setting and data.

**14a. Input Attenuator Switching Uncertainty: 8564E/EC and 8565E/EC**

25. Set the 10 dB step attenuator and the spectrum analyzer **REF LVL** according to [Table 8-13](#). Record the spectrum analyzer  $\Delta$  MKR reading for each setting as the actual  $\Delta$  MKR reading.
26. For each 10 dB step attenuator setting in [Table 8-13](#), add the  $\Delta$  MKR reading to the actual 10 dB step attenuator value. Record the result as the IF gain deviation.
  - a. Repeat Step 23-25 for each row of instrument settings in table 2a-12.

**Calculating IF Gain Correction**

27. Calculate and record the IF gain correction factors in [Table 8-14](#) as described in the following steps:
  - a. For each IF gain correction entry, there is a pair of numbers in parentheses. These numbers represent spectrum analyzer REF LVL settings from [Table 8-13](#).
  - b. Look up the IF gain deviation values in [Table 8-13](#) that correspond to these REF LVL settings.
  - c. Substitute test values for the numbers in parentheses in the IF gain correction entry and calculate the correction value.

As an example, when calculating [Table 8-14](#) IF gain correction for the 20 dB ATTEN setting, look up the IF gain deviation values listed in [Table 8-13](#) for the  $-30$  and  $-20$  dBm REF LVL settings.

If the IF gain deviation for the  $-30$  dBm REF LVL is  $+0.2$  dB and the IF gain deviation for the  $-20$  dBm REF LVL is  $-0.3$  dB, then the IF gain correction for the 20 dB ATTEN setting is:

$$(+0.2) - (-0.3) = +0.5 \text{ dB}$$

**14a. Input Attenuator Switching Uncertainty: 8564E/EC and 8565E/EC****Input Attenuator Switching Uncertainty, 2.9 GHz**

28. Connect the equipment as shown in [Figure 8-6](#) using the 8491B Option 010 10 dB attenuator. The spectrum analyzer provides the frequency reference for the 83640B.
29. On the spectrum analyzer press, **MKR** and **MARKERS OFF**.
30. On the spectrum analyzer press:
- Frequency ..... 2.9 GHz  
 Amplitude ..... -10 dBm  
 Attenuation ..... 10 dBm
31. On the 83640B, press **INSTR PRESET** and set the controls as follows:
- CW frequency ..... 2.9 GHz  
 Power level ..... 0 dBm
32. On the spectrum analyzer, press **MKR**.
33. Adjust the Agilent 83640B **POWER LEVEL** for a spectrum analyzer MKR amplitude reading of  $-13 \text{ dBm} \pm 0.05 \text{ dB}$ .
34. On the spectrum analyzer, press **MKR**, **MARKER DELTA**, **AMPLITUDE**, **ATTEN**, 20, and **dB**.
35. After a new sweep has finished, record the spectrum analyzer  $\Delta$  MKR amplitude reading in [Table 8-14](#) as the  $\Delta$  MKR Reading (column 2).
36. Set the spectrum analyzer **ATTEN** to the settings indicated in [Table 8-14](#). Repeat step 30 for each **ATTEN** setting.
37. For each **ATTEN** setting in [Table 8-14](#), subtract the IF gain correction from the actual  $\Delta$  MKR reading and record the result as the CSU.
38. For each attenuator setting from 20 through 60 dB, subtract the CSU value of the preceding setting from the current CSU value and record the result in [Table 8-14](#) as the incremental switching uncertainty (ISU).

$$\text{ISU} = \text{current CSU} - \text{previous CSU}$$

**Table 8-12**      **Input Attenuator Switching Accuracy, 50 MHz**

10 dB Step Attenuator Setting	Spectrum		10 dB Step Attenuator Actual Attenuation	$\Delta$ MKR Reading			Uncertainty		
	REF LVL	Atten		Ideal	Actual	Corrected	CSU	ISU	Measurement
(dB)	(dBm)	(dB)	(dB)	(dB)	(dB)	(dB)	(dB)	(dB)	(dB)
60	-70	10		0 (Ref.)	0 (Ref.)	0 (Ref.)	0 (Ref.)	0 (Ref.)	0 (Ref.)
50	-60	10		0 (Ref.)	0 (Ref.)	0 (Ref.)	0 (Ref.)	0 (Ref.)	0 (Ref.)
40	-50	20							$\pm 0.14$
30	-40	30							$\pm 0.12$
20	-30	40							$\pm 0.12$
10	-20	50							$\pm 0.12$
0	-10	60							$\pm 0.12$

## 14a. Input Attenuator Switching Uncertainty: 8564E/EC and 8565E/EC

Table 8-13 IF Gain Deviation

Spectrum Analyzer Ref Lvl  (dBm)	10 dB Step Attenuator Setting  (dB)	10 dB Step Attenuator Actual  (dB)	$\Delta$ MKR Reading  (dB)	IF Gain Deviation  (dB)
-10	0	0 (Ref.)	0 (Ref.)	0 (Ref.)
-20	10			
-30	20			
-40	30			
-50	40			
-60	50			
-70	60			

Table 8-14 Input Attenuator Switching Uncertainty, 2.9 GHz

Spectrum Analyzer ATTEN (dB)	$\Delta$ MKR Reading (dB)	IF Gain Correction (dB)	Uncertainty		
			CSU	ISU	Measurement
10	0 (Ref.)	0 (Ref.)	0 (Ref.)	0 (Ref.)	0 (Ref.)
20		[(-30)– (-20)]			$\pm 0.23$
30		[(-40)– (-20)]			$\pm 0.23$
40		[(-50)– (-20)]			$\pm 0.23$
50		[(-60)– (-20)]			$\pm 0.23$
60		[(-70)– (-20)]			$\pm 0.24$

**15a. IF Gain Uncertainty****15a. IF Gain Uncertainty****Instrument Under Test**

All 8560 E-Series and EC-Series

**Related Specification**

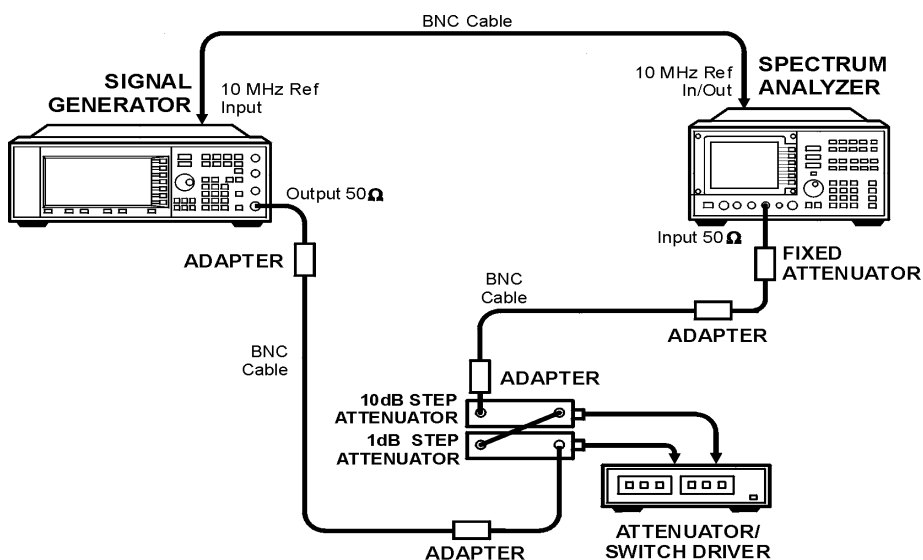
IF Gain Uncertainty

**Related Adjustment**

IF Amplitude Adjustment

**Description**

This test measures the log (10 dB and 1 dB) and linear IF gain uncertainties. A 0 dBm signal is displayed near the reference level for each test. The input signal level is decreased as the spectrum analyzer reference level is decreased (IF gain increased). Since the signal level decreases in accurate steps, any error between the reference level and the signal level is caused by the analyzer IF gain. The signal generator is phase-locked to the spectrum analyzer 10 MHz reference.

**Figure 8-7****IF Gain Uncertainty Test Setup**

wj122c

## Equipment

Signal generator . . . . .	Agilent E4421B
10 dB coaxial fixed attenuator . . . . .	Agilent 8491B, Option 010
Attenuator/Switch Driver . . . . .	Agilent 11713A
1 dB Precision Step Attenuator . . . . .	Agilent 8494G, Option 001
10 dB Precision Step Attenuator . . . . .	Agilent 8496G, Option 001
Attenuator Interconnector Kit . . . . .	Agilent 11716A

## Adapter

Type N (m) to BNC (f) ( <i>4 required</i> ) . . . . .	1250-1476
Type N (f) to 2.4 mm (f) . . . . .	Agilent 11903B
<i>(for Agilent 8564E/EC and Agilent 8565E/EC)</i>	

## Cable

BNC, 122 cm (48 in.) ( <i>3 required</i> ) . . . . .	Agilent 10503A
--	----------------

## Procedure

1. Connect the equipment as shown in [Figure 8-7](#). The spectrum analyzer under test provides the frequency reference for the Agilent E4421B.

### Log Gain Uncertainty (10 dB Steps)

2. Set the Agilent E4421B controls as follows:

Frequency . . . . .	50 MHz
Amplitude . . . . .	+10 dB
RF Output . . . . .	On
3. On the spectrum analyzer, press **PRESET**, **CAL**, and **REALIGN LO & IF**. Wait for the adjustments to finish.

**15a. IF Gain Uncertainty**

4. Set the controls as follows:
  - Center frequency . . . . . 50 MHz
  - Span . . . . . 0 Hz
  - Log dB/division . . . . . 1 dB
  - Resolution BW . . . . . 1 kHz
  - Video BW . . . . . 1 Hz
5. Set the step attenuators to 0 dB attenuation.
6. On the spectrum analyzer, press **MKR**.
7. Adjust the source amplitude to place the peak of the signal 2 to 3 dB (two to three divisions) below the spectrum analyzer reference level.
8. On the spectrum analyzer, press **SGL SWP**, **SGL SWP**, **MKR**, and **MARKER DELTA**.
9. Increase the 10 dB step attenuator setting by 10 dB.
10. Set spectrum analyzer reference level: **AMPLITUDE**, **REF LVL**, 10, **-dBm**, and **SGL SWP**. Wait for the sweep to finish.
11. Record the spectrum analyzer  $\Delta$  MKR amplitude reading in [Table 8-15](#) as the actual  $\Delta$  MKR reading.
12. Repeat [step 9](#) through [step 11](#) for the remaining spectrum analyzer REF LVL settings listed in [Table 8-15](#).
13. Enter the calibrated attenuation values as the actual 10 dB attenuation in [Table 8-15](#) using the appropriate calibration data for the 10 dB step attenuator.  
  
For the 40 dB attenuator step, use the attenuator calibration data section 4 setting and data.
14. Calculate the values for the corrected delta marker entries in [Table 8-15](#) as follows:
  - a. Calculate the attenuation error by subtracting the delta marker reading from the step attenuator setting.  
$$\text{Atten Error} = 10 \text{ dB step atten setting} - \text{Actual atten}$$
  - b. Calculate the corrected delta marker by subtracting the attenuation error from the actual delta marker reading.  
$$\text{Corrected } \Delta \text{ marker} = \text{Actual } \Delta \text{ marker reading} - \text{Atten error}$$
  - c. Record this value as the corrected  $\Delta$  marker value in [Table 8-15](#)



### Log Gain Uncertainty (1 dB Steps)

15. On the Agilent E4421B, set the amplitude to 10 dB.
16. Set the step attenuators to 0 dB.
17. Set the spectrum analyzer controls as follows:

Marker . . . . .	normal
Reference level . . . . .	0 dBm
Log dB/division . . . . .	1 dB
Trigger . . . . .	Continuous
18. Adjust the Agilent E4421B in 1 dB steps to place the signal 2 dB to 3 dB (two to three divisions) below the spectrum analyzer reference level.
19. On the spectrum analyzer, press **SGL SWP**, **SGL SWP**, **MKR**, and **MARKER DELTA**.
20. Increase the step attenuator setting by 1 dB.
21. On the spectrum analyzer, press **AMPLITUDE**,  $\Downarrow$ , and **SGL SWP**. Wait for the sweep to finish.
22. Record the spectrum analyzer  $\Delta$  MKR amplitude reading in [Table 8-16](#) as the actual  $\Delta$  MKR reading.
23. Repeat [step 20](#) through [step 22](#) for the remaining spectrum analyzer REF LVL settings listed in [Table 8-16](#).
24. Enter the calibrated attenuation values as the actual 1 dB attenuation in [Table 8-16](#) using the appropriate calibration data for the 1 dB step attenuator.  
  
For the 40 dB attenuator step, use the attenuator calibration data section 4 setting and data.
25. Calculate the values for the corrected delta marker entries in [Table 8-16](#) as follows:
  - a. Calculate the attenuation error by subtracting the delta marker reading from the step attenuator setting.  
$$\text{Atten Error} = 1 \text{ dB step atten setting} - \text{Actual atten}$$
  - b. Calculate the corrected delta marker by subtracting the attenuation error from the actual delta marker reading.  
$$\text{Corrected } \Delta \text{ marker} = \text{Actual } \Delta \text{ marker reading} - \text{Atten error}$$
  - c. Record this value as the corrected  $\Delta$  marker value in [Table 8-16](#)

**15a. IF Gain Uncertainty**

**Linear Gain Uncertainty**

26. On the Agilent E4421B, set the amplitude to 10 dB
27. Set the step attenuators to 0 dB.
28. Set the controls on the spectrum analyzer under test to the following:
  - Marker. . . . . normal
  - Reference level . . . . . 0 dBm
  - Amplitude scale . . . . . linear
  - Amplitude . . . . . dBm
  - Trigger. . . . . Continuous
  
29. Adjust the Agilent E4421B amplitude in 1 dB steps to place the signal two to three divisions below the spectrum analyzer reference level. The marker should read between  $-2$  dBm and  $-3$  dBm.
30. On the spectrum analyzer, press **SGL SWP**, **SGL SWP**, **MKR**, and **MARKER DELTA**.
31. Increase the 10 dB step attenuator setting by 10 dB.
32. Set the spectrum analyzer REF LVL to  $-10$  dBm.
33. On the spectrum analyzer, press **SGL SWP**.
34. Record the spectrum analyzer  $\Delta$  MKR amplitude reading in [Table 8-17](#) as the actual  $\Delta$  MKR reading.
35. Repeat [step 31](#) through [step 34](#) for the remaining spectrum analyzer REF LVL settings listed in [Table 8-17](#).
36. Enter the calibrated attenuation values as the actual 10 dB attenuation in [Table 8-17](#) using the appropriate calibration data for the 10 dB step attenuator.  
  
For the 40 dB attenuator step, use the attenuator calibration data section 4 setting and data.

37. Calculate the values for the corrected delta marker entries in [Table 8-17](#) as follows:
- Calculate the attenuation error by subtracting the delta marker reading from the step attenuator setting.  
$$\text{Atten Error} = 10 \text{ dB step atten setting} - \text{Actual atten}$$
  - Calculate the corrected delta marker by subtraction the attenuation error from the actual delta marker reading.  
$$\text{Corrected } \Delta \text{ marker} = \text{Actual } \Delta \text{ marker reading} - \text{Atten Error}$$
  - Record this value as the corrected  $\Delta$  marker value in [Table 8-17](#)

**Table 8-15**                      **Log IF Gain Uncertainty (10 dB Steps)**

Spectrum Analyzer REF LVL  (dBm)	10 dB Step Attenuator		Δ MKR Reading		Measurement Uncertainty  (dB)
	Setting  (dB)	Actual Attenuation  (dB)	Actual  (dB)	Corrected  (dB)	
0	0	0 (Ref.)	0 (Ref.)	0 (Ref.)	0 (Ref.)
-10	10				±0.11
-20	20				±0.11
-30	30				±0.11
-40	40				±0.11
-50	50				±0.12
-60	60				±0.12
-70	70				±0.12
-80	80				±0.12

**Table 8-16**                      **Log IF Gain Uncertainty (1 dB Steps)**

Spectrum Analyzer REF LVL  (dBm)	1 dB Step Attenuator		Δ MKR Reading		Measurement Uncertainty  (dB)
	Setting  (dB)	Actual Attenuation  (dB)	Actual  (dB)	Corrected  (dB)	
0	0	0 (Ref.)	0 (Ref.)	0 (Ref.)	0 (Ref.)
-1	1				±0.11
-2	2				±0.11
-3	3				±0.11
-4	4				±0.11
-5	5				±0.12
-6	6				±0.12
-7	7				±0.12
-8	8				±0.12
-9	9				±0.12
-10	10				±0.12
-11	11				±0.12
-12	12				±0.12

**Table 8-17 Linear IF Gain Uncertainty**

Spectrum Analyzer REF LVL  (dBm)	10 dB Step Attenuator		Δ MKR Reading		Measurement Uncertainty  (dB)
	Setting  (dB)	Actual Attenuation  (dB)	Actual  (dB)	Corrected  (dB)	
0	0	0 (Ref.)	0 (Ref.)	0 (Ref.)	0 (Ref.)
-10	10				±0.11
-20	20				±0.11
-30	30				±0.11
-40	40				±0.11
-50	50				±0.12
-60	60				±0.12
-70	70				±0.12
-80	80				±0.12

## **16a. Scale Fidelity**

### **Instrument Under Test**

All 8560 E-Series and EC-Series

### **Related Specification**

Log Fidelity  
Linear Fidelity

### **Related Adjustment**

IF Amplitude Adjustments  
Log Amplifier Adjustments

### **Description**

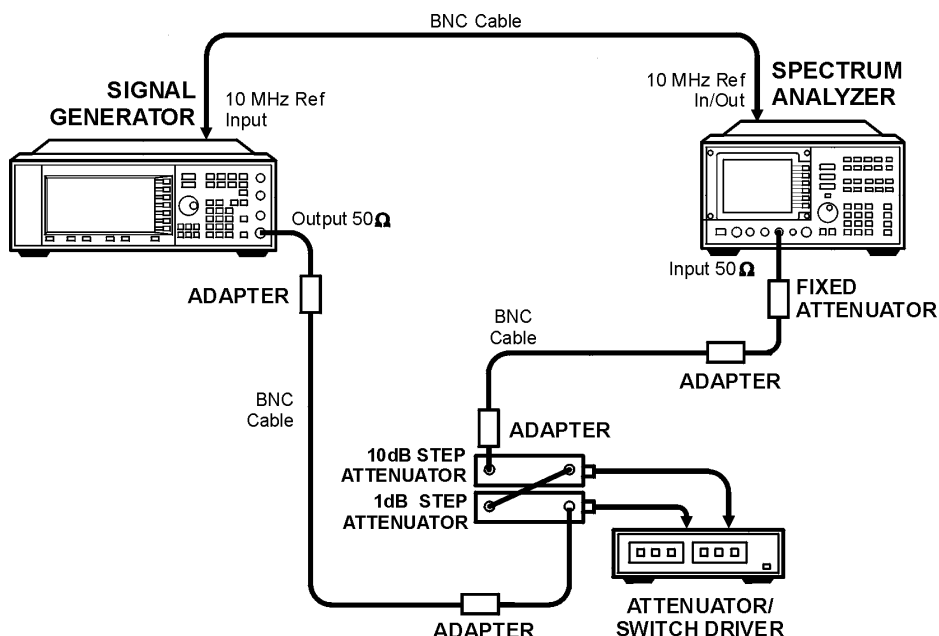
The 10 dB/div, 2 dB/div, and linear scales are tested for fidelity. The 10 dB/div scale is tested in RES BW settings of 10 Hz and 300 Hz. A signal is set to the reference level for each scale. As the signal amplitude is decreased, the displayed signal amplitude is compared to the reference level.

Incremental log fidelity is calculated from the cumulative log fidelity data. The nominal difference between the cumulative log fidelity data points selected is 12 dB for the 10 dB/div scale and 2 dB for the 2 dB/div scale. These differences ensure that the uncertainty due to the marker amplitude resolution is less than one-fourth of the specification.

The spectrum analyzer provides the 10 MHz reference to the signal generator.

**Figure 8-8**

**Scale Fidelity Test Setup**



wj122c

**Equipment**

Signal generator . . . . .	E4421B
10 dB coaxial fixed attenuator . . . . .	8491B, Option 010
Attenuator/Switch Driver . . . . .	11713A
1 dB Precision Step Attenuator . . . . .	8494G, Option 001
10 dB Precision Step Attenuator . . . . .	8496G, Option 001
Attenuator Interconnector Kit . . . . .	11716A

**Adapter**

Type N (m) to BNC (f) ( <i>4 required</i> ) . . . . .	1250-1476
Type N (f) to 2.4 mm (f) . . . . .	11903B
<i>(for 8564E/EC and 8565E/EC)</i>	

**Cable**

BNC, 122 cm (48 in.) ( <i>3 required</i> ) . . . . .	10503A
--	--------

## 16a. Scale Fidelity

### Procedure

1. Connect the equipment as shown in [Figure 8-8](#). The spectrum analyzer provides the frequency reference for the Agilent E4421B.
2. Set the Agilent E4421B controls as follows:
  - Frequency . . . . . 50 MHz
  - Amplitude . . . . . +10 dBm
  - Amplitude increment . . . . . 0.04 dB
  - RF Output . . . . . On
3. On the spectrum analyzer, press **PRESET, CAL, REALIGN LO & IF**. Wait for the adjustments to finish. Set the controls as follows:
  - Center frequency . . . . . 50 MHz
  - Span . . . . . 0 Hz
  - Resolution BW . . . . . 300 Hz
  - Video BW . . . . . 100 Hz
  - Sweep time . . . . . 2 s
4. Set the step attenuators to 0 dB.
5. On the spectrum analyzer, press **MKR**.

#### **10 dB/Div Log Scale, RES BW $\geq$ 300 Hz**

6. On the Agilent E4421B, press **Amplitude** and use the increment  $\downarrow$  and  $\uparrow$  keys to adjust the amplitude until the spectrum analyzer marker reads exactly 0 dBm  $\pm$ 0.17 dB.
7. Enter the calibrated attenuation values as the actual attenuation in [Table 8-18](#) using the appropriate step attenuator calibration data.

For the 40 dB and 4 dB attenuator step, use the attenuator calibration data section 4 setting and data.
8. On the spectrum analyzer, press **SGL SWP, MKR, MKRNOISE ON, and MARKER DELTA**. Press **AMPLITUDE, MORE 1 OF 3, REF LVL OFFSET, 22.8, dB, and SGL SWP**. The reference level offset effectively removes the noise marker corrections for the envelope detector, log amplifiers, and noise bandwidth correction.
9. Increase the step attenuator setting by 6 dB to the next value listed in [Table 8-18](#).



10. On the spectrum analyzer, press **SGL SWP** and wait for the completion of a new sweep. Subtract 0.02 dB from the  $\Delta$ MKR amplitude reading and record the result as the actual  $\Delta$ MKR reading in [Table 8-18](#).

---

**NOTE**

The noise marker subtracts 22.78 dB from the 32 data point average. The reference level offset can only correct for 22.8 dB of this difference due to its 0.1 dB resolution. Subtracting 0.02 dB from the  $\Delta$ MKR reading corrects for the 0.02 dB residual error.

---

11. Repeat [step 9](#) and [step 10](#) for each step attenuator setting in [Table 8-18](#).
12. Calculate the correct values for the corrected delta marker entries in [Table 8-18](#) as follows:
  - a. Calculate the attenuation error by subtracting the actual attenuation from the total step attenuator setting.  
$$\text{Atten error} = \text{Total step attenuator setting} - \text{Actual attenuation}$$
  - b. Calculate the corrected delta marker by subtracting the attenuation error from the actual delta marker reading.  
$$\text{Corrected } \Delta \text{ marker} = \Delta \text{ marker reading} - \text{Atten error}$$
  - c. Record this value as the corrected  $\Delta$  marker value in [Table 8-18](#)

---

**NOTE**

The log fidelity incremental error in the 10 dB/div scale is calculated only for readings from -12 dB to -90dB from the reference level.

---

**16a. Scale Fidelity**

13. Calculate the incremental error for a given dB from REF LVL as follows:

- a. Set current actual  $\Delta$ MKR equal to the actual  $\Delta$ MKR reading for the current total step attenuator setting.
- b. Set previous actual  $\Delta$ MKR equal to the actual  $\Delta$ MKR reading for the total step attenuator setting listed in parenthesis in the incremental error column for the current total step attenuator setting.
- c. Calculate the incremental error as follows:

$$\text{Incremental error (dB/dB)} = (\text{current } \Delta\text{MKR} - \text{previous } \Delta\text{MKR} + 12 \text{ dB}) / 12$$

For example, given:

Actual  $\Delta$ MKR reading at  $-18$  dB from REF LVL =  $-17.83$  dB

Actual  $\Delta$ MKR reading at  $-24$  dB from REF LVL =  $-24.17$  dB

Actual  $\Delta$ MKR reading at  $-30$  dB from REF LVL =  $-30.33$  dB

The incremental error for the 30 dB total step attenuator setting ( $-30.33$  dB) is calculated as follows:

$$\begin{aligned} \text{Incremental error} &= (-30.33 - (-17.83) + 12) / 12 \\ &= -0.50 / 12 \\ &= -0.042 \text{ dB/dB} \end{aligned}$$

- d. Enter the result of the incremental error calculation in the **Incremental Error** column of [Table 8-18](#)

**10 dB/Div Log Scale, RES BW ≤ 100 Hz**

14. Set the spectrum analyzer controls as follows:

Trigger . . . . . Continuous  
Reference level offset . . . . . 0 dB  
Markers . . . . . off  
Span . . . . . 100 Hz  
Resolution BW . . . . . 10 Hz  
Sweep time . . . . . Automatic

15. Set the Agilent E4421B controls as follows:

Amplitude . . . . . +10 dBm  
Amplitude increment . . . . . 0.04 dB

16. Set the step attenuators to 0 dB.

17. On the spectrum analyzer, press **PEAK SEARCH**.

18. On the Agilent E4421B, press **Amplitude** and use the increment ↓ and ↑ keys to adjust the amplitude until the spectrum analyzer marker reads exactly 0 dBm ±0.17 dB.

19. Enter the calibrated attenuation values as the actual attenuation in [Table 8-19](#) using the appropriate step attenuator calibration data.

For the 40 dB and 4 dB attenuator step, use the attenuator calibration data section 4 setting and data.

20. On the spectrum analyzer, press **SGL SWP**, **PEAK SEARCH**, and **MARKER DELTA**.

21. Increase the step attenuator setting by 6 dB to the next value listed in [Table 8-19](#).

---

**NOTE**

---

Increase the attenuator setting 4 dB for last two entries in [Table 8-19](#)

22. If the total step attenuator setting is ≥ 80 dB (40 dB, for example), press **SGL SWP** and wait until a new sweep is completed. Press **PEAK SEARCH** and record the ΔMKR amplitude as the actual ΔMKR reading in [Table 8-19](#).

23. If the total step attenuator is ≥80 dB (+84 dB, for example), press **TRIG**, **CONT**, **BW**, **VID AVG ON**, **1**, **0**, **HZ**, and wait for VAVG 1.0 to be displayed above the graticule. Press **SGL SWP** and wait until a new sweep is completed. Press **PEAK SEARCH** and record the ΔMKR as the actual ΔMKR reading in [Table 8-19](#).

24. Repeat [step 21](#), [step 22](#), and [step 23](#) for each (nominal) step attenuator setting

**16a. Scale Fidelity**

in [Table 8-19](#).

25. Calculate the correct values for the corrected delta marker entries in [Table 8-19](#) as follows:

- a. Calculate the attenuation error by subtract the actual attenuation from the total step attenuator setting.

$$\text{Error} = \text{Total step attenuator setting} - \text{Actual attenuation}$$

- b. Calculate the corrected delta marker by subtracting the attenuation error from the actual delta marker reading.

$$\text{Corrected } \Delta \text{ marker} = \Delta \text{ marker reading} - \text{Atten error}$$

- c. Record this value as the corrected  $\Delta$  marker value in [Table 8-19](#)

26. Calculate the incremental error for a given dB from REF LVL as follows:

- a. Set current actual  $\Delta$ MKR equal to the actual  $\Delta$ MKR reading for the current total step attenuator setting.
- b. Set previous  $\Delta$ MKR equal to the  $\Delta$ MKR reading for the total step attenuator setting listed in parenthesis as the incremental error column for the current total step attenuator setting.

- c. Calculate the incremental error as follows:

$$\text{Incremental error (dB/dB)} = (\text{current } \Delta\text{MKR} - \text{previous } \Delta\text{MKR} + 12 \text{ dB}) / 6$$

For example, given:

Actual  $\Delta$ MKR reading at  $-18$  dB from REF LVL =  $-17.83$  dB

Actual  $\Delta$ MKR reading at  $-24$  dB from REF LVL =  $-24.17$  dB

Actual  $\Delta$ MKR reading at  $-30$  dB from REF LVL =  $-30.33$  dB

The incremental error for the  $-30$  dB from REF LVL setting is calculated as follows:

$$\begin{aligned} \text{Incremental error} &= (-30.33 - (-17.83) + 12) / 6 \\ &= -0.50 / 6 \\ &= -0.083 \text{ dB/2 dB} \end{aligned}$$

- d. Place the result of the incremental error calculation in the **Incremental Error** column of [Table 8-19](#).

## 2 dB/Div Log Scale

27. Set the spectrum analyzer controls as follows:

Trigger . . . . . Continuous  
Markers . . . . . off  
Log dB/division . . . . . 2 dB  
Span . . . . . 0 Hz  
Resolution BW . . . . . 1 kHz  
Video BW . . . . . 300 Hz  
Sweep time . . . . . 1 s  
Video average . . . . . off

28. Set the Agilent E4421B controls as follows:

Amplitude . . . . . +10 dBm  
Amplitude increment . . . . . 0.02 dB

29. Set the step attenuators to 0 dB.

30. On the spectrum analyzer, press **MKR**.

31. On the Agilent E4421B, press **Amplitude** and use the increment  $\downarrow$  and  $\uparrow$  keys to adjust the amplitude until the spectrum analyzer marker reads exactly 0 dBm  $\pm 0.03$  dB.

32. Enter the calibrated attenuation values as the actual attenuation in [Table 8-20](#) using the appropriate step attenuator calibration data.

For the 4 dB attenuator step, use the attenuator calibration data section 4 setting and data.

33. On the spectrum analyzer, press **SGL SWP**, **MKR**, and **MARKER DELTA**.

34. Increase the step attenuator setting by 2 dB to the next value listed in [Table 8-20](#).

35. On the spectrum analyzer, press **SGL SWP** and wait for the completion of a new sweep. Record the  $\Delta$ MKR amplitude reading as the actual  $\Delta$ MKR reading in [Table 8-20](#).

36. Repeat [step 34](#) and [step 35](#) for each step attenuator setting in [Table 8-20](#).

**16a. Scale Fidelity**

37. Calculate the correct values for the corrected delta marker entries in [Table 8-20](#) as follows:

- a. Calculate the attenuation error by subtracting the actual attenuation from the total step attenuator setting.

$$\text{Atten error} = \text{Total step attenuator setting} - \text{Actual attenuation}$$

- b. Calculate the corrected delta marker by subtracting the attenuation error from the actual delta marker reading.

$$\text{Corrected } \Delta \text{ marker} = \Delta \text{ marker reading} - \text{Atten error}$$

- c. Record this value as the corrected  $\Delta$  marker value in [Table 8-20](#)

38. From each  $\Delta$ MKR reading in [Table 8-20](#), subtract the previous  $\Delta$ MKR reading. Add 2 dB to this number. Divide this result by 2 dB and record the result as the incremental error in [Table 8-20](#).

$$\text{Incremental error} = (\text{current } \Delta\text{MKR} - \text{previous } \Delta\text{MKR} + 2) / 2$$

### Linear Scale

39. Set the spectrum analyzer controls as follows:

Trigger . . . . . Continuous  
Amplitude scale . . . . . linear  
Amplitude units . . . . . dBm

40. Set the Agilent E4421B controls as follows:

Amplitude . . . . . +10 dBm  
Amplitude increment . . . . . 0.02 dB

41. Set the step attenuators to 0 dB.

42. On the spectrum analyzer, press **MKR**, and **MARKER NORMAL**.

43. On the Agilent E4421B, press **Amplitude** and use the increment ↓ and ↑ keys to adjust the amplitude until the spectrum analyzer marker reads exactly 0 dBm ± 0.02 dB.

44. Enter the calibrated attenuation values as the actual attenuation in [Table 8-21](#) using the appropriate step attenuator calibration data.

For the 4 dB attenuator step, use the attenuator calibration data section 4 setting and data.

45. On the spectrum analyzer, press **SGL SWP**, **MKR**, and **MARKER DELTA**.

46. Increase the attenuation setting of the step attenuators 2 dB or to the next value listed in [Table 8-21](#).

47. On the spectrum analyzer, press **SGL SWP** and wait for the completion of a new sweep. Record the ΔMKR amplitude as the actual ΔMKR amplitude reading in [Table 8-21](#).

48. Repeat [step 46](#) and [step 47](#) for each step attenuator setting in [Table 8-21](#).

49. Calculate the correct values for the corrected delta marker entries in [Table 8-21](#) as follows:

a. Calculate the attenuation error by subtracting the actual attenuation from the total step attenuator setting.

$$\text{Atten error} = \text{Total step attenuator setting} - \text{Actual attenuation}$$

b. Calculate the corrected delta marker by subtracting the attenuation error from the actual delta marker reading.

$$\text{Corrected } \Delta \text{ marker} = \Delta \text{ marker reading} - \text{Atten error}$$

c. Record this value as the corrected Δ marker value in [Table 8-21](#)

**Table 8-18 10 dB/Div Log Scale Fidelity (RES BW  $\geq$ 300 Hz)**

Step Attenuator Setting			Actual Attenuation (dB)	$\Delta$ MKR Reading		Incremental Error (dB)	Measurement Uncertainty (dB)
1 dB Step (dB)	10 dB Step (dB)	Total (dB)		Actual (dB)	Corrected (dB)		
0	0	0	0 (Ref.)	0 (Ref.)	0 (Ref.)	0 (Ref.)	0 (Ref.)
6	0	6				N/A	$\pm 0.03$
2	10	12				(0)	$\pm 0.04$
8	10	18				(6)	$\pm 0.04$
4 <sup>a</sup>	20	24				(12)	$\pm 0.04$
0	30	30				(18)	$\pm 0.04$
6	30	36				(24)	$\pm 0.04$
2	40 <sup>a</sup>	42				(30)	$\pm 0.04$
8	40 <sup>a</sup>	48				(36)	$\pm 0.04$
4	50	54				(42)	$\pm 0.04$
0	60	60				(48)	$\pm 0.04$
6	60	66				(54)	$\pm 0.04$
2	70	72				(60)	$\pm 0.05$
8	70	78				(66)	$\pm 0.05$
4 <sup>a</sup>	80	84				(72)	$\pm 0.05$
0	90	90				(78)	$\pm 0.11$

a. Use the attenuator calibration data section 4 setting and data.



**Table 8-19 10 dB/Div Log Scale Fidelity (RES BW ≤100 Hz)**

Step Attenuator Setting			Actual Attenuation (dB)	Δ MKR Reading		Incremental Error (dB)	Measurement Uncertainty (dB)
1 dB Step (dB)	10 dB Step (dB)	Total (dB)		Actual (dB)	Corrected (dB)		
0	0	0	0 (Ref.)	0 (Ref.)	0 (Ref.)	0 (Ref.)	0 (Ref.)
6	0	6				N/A	±0.03
2	10	12				(0)	±0.04
8	10	18				(6)	±0.04
4 <sup>a</sup>	20	24				(12)	±0.04
0	30	30				(18)	±0.04
6	30	36				(24)	±0.04
2	40 <sup>a</sup>	42				(30)	±0.04
8	40 <sup>a</sup>	48				(36)	±0.04
4	50	54				(42)	±0.04
0	60	60				(48)	±0.04
6	60	66				(54)	±0.04
2	70	72				(60)	±0.05
8	70	78				(66)	±0.05
4 <sup>a</sup>	80	84				(72)	±0.05
0	90	90				(78)	±0.05
4 <sup>a</sup>	90	94				N/A	±0.05
8	90	98				N/A	±0.05

a. Use the attenuator calibration data section 4 setting and data.

**Table 8-20 2 dB/Div Log Scale Fidelity**

Step Attenuator Setting			Actual Attenuation (dB)	Δ MKR Reading		Incremental Error (dB)	Measurement Uncertainty (dB)
1 dB Step (dB)	10 dB Step (dB)	Total (dB)		Actual (dB)	Corrected (dB)		
0	0	0	0 (Ref.)	0 (Ref.)	0 (Ref.)	0 (Ref.)	0 (Ref.)
2	0	2				N/A	±0.03
4 <sup>a</sup>	0	4					±0.03
6	0	6					±0.03
8	0	8					±0.03
0	10	10					±0.03
2	10	12					±0.03
4 <sup>a</sup>	10	14					±0.03
6	10	16					±0.03
8	10	18					±0.03

a. Use the attenuator calibration data section 4 setting and data.

**Table 8-21 Linear Scale Fidelity**

Step Attenuator Setting			Actual Attenuation (dB)	Δ MKR Reading		Measurement Uncertainty (dB)
1 dB Step (dB)	10 dB Step (dB)	Total (dB)		Actual (dB)	Corrected (dB)	
0	0	0	0 (Ref.)	0 (Ref.)	0 (Ref.)	0 (Ref.)
2	0	2				±0.03
4 <sup>a</sup>	0	4				±0.03
6	0	6				±0.03
8	0	8				±0.03
0	10	10				±0.03
2	10	12				±0.04
4 <sup>a</sup>	10	14				±0.04
6	10	16				±0.04
8	10	18				±0.04

a. Use the attenuator calibration data section 4 setting and data.

## 33a. Second Harmonic Distortion: 8560E/EC

### Instrument Under Test

8560E/EC

### Related Specification

Second Harmonic Distortion

### Related Adjustment

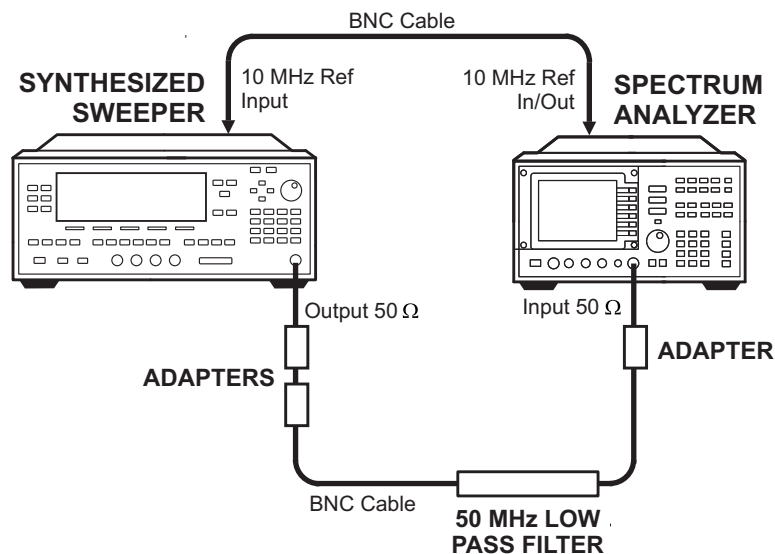
There is no related adjustment procedure for this performance test.

### Description

A synthesized sweep generator and low-pass filter provide the signal for measuring second harmonic distortion. The low-pass filter eliminates any harmonic distortion originating at the signal source. The synthesized sweeper is phase-locked to the spectrum analyzer 10 MHz reference. This test is performed at an input frequency of 40 MHz.

Figure 8-9

### Second Harmonic Distortion Test Setup



wj17c

### Equipment

Synthesized sweep generator .....	83640B
50 MHz low-pass filter .....	0955-0306

**33a. Second Harmonic Distortion: 8560E/EC**

**Adapter**

- Type N (m) to BNC (f) 1250-1476
- SMA (m) to BNC (f) . . . . . 1250-1200
- APC-3.5 (f) to 2.4 mm (f) . . . . . 11901B

**Cable**

- BNC, 122 cm (48 in) . . . . . 10503A

**Procedure**

1. Connect the equipment as shown in [Figure 8-9](#). The spectrum analyzer provides the frequency reference for the synthesized sweeper.
2. Set the 83640B controls as follows:
  - Frequency . . . . . 40 MHz
  - Amplitude . . . . . -20 dBm
  - Amplitude increment . . . . . 0.04 dB
  - RF Output . . . . . On
3. On the spectrum analyzer, press **PRESET**. Set the controls as follows:
  - Center frequency . . . . . 40 MHz
  - Span . . . . . 1 kHz
  - Reference level . . . . . -30 dBm
4. On the spectrum analyzer, press **PEAK SEARCH**.
5. On the 83640B, adjust the output power level for a spectrum analyzer marker amplitude reading of -30 dBm ±0.17 dB.
6. On the spectrum analyzer, press **SGL SWP**. Wait for the completion of the sweep, then press **PEAK SEARCH**, **MKR→**, and **MARKER → CF STEP**.
7. Press **MKR**, **MARKER DELTA**, **FREQUENCY**,  $\uparrow$ , and **SGL SWP**.
8. After the spectrum analyzer completes a new sweep, press **PEAK SEARCH**. Record the  $\Delta$  MKR amplitude reading as the Second Harmonic Distortion.

Second harmonic distortion: \_\_\_\_\_ dBc

(Measurement uncertainty: +1.87/-2.28 dB)

## 34a. Second Harmonic Distortion: Agilent 8561E/EC

### Instrument Under Test

8561E/EC

### Related Specification

Second Harmonic Distortion

### Related Adjustment

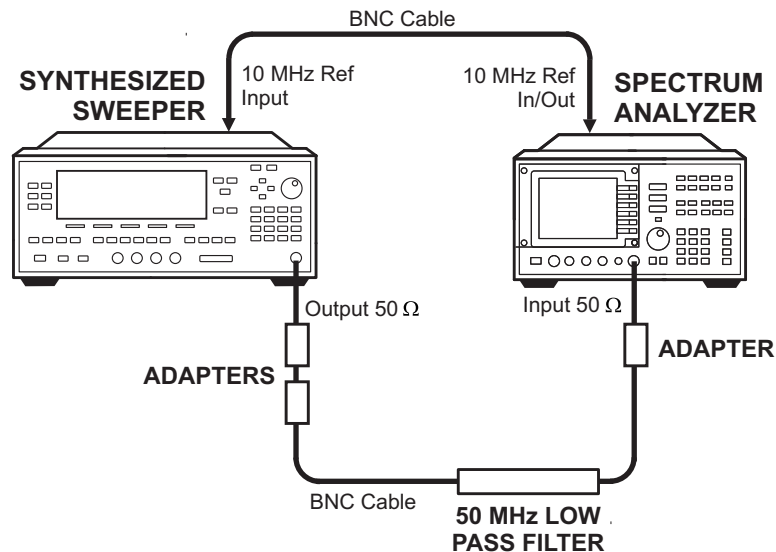
There is no related adjustment procedure for this performance test.

### Description

A synthesized sweep generator and low-pass filter provide the signal for measuring second harmonic distortion. The low-pass filter eliminates any harmonic distortion originating at the signal source. The spectrum analyzer frequency response is calibrated out for the >1.45 GHz test. The synthesized sweeper is phase-locked to the spectrum analyzer 10 MHz reference.

Figure 8-10

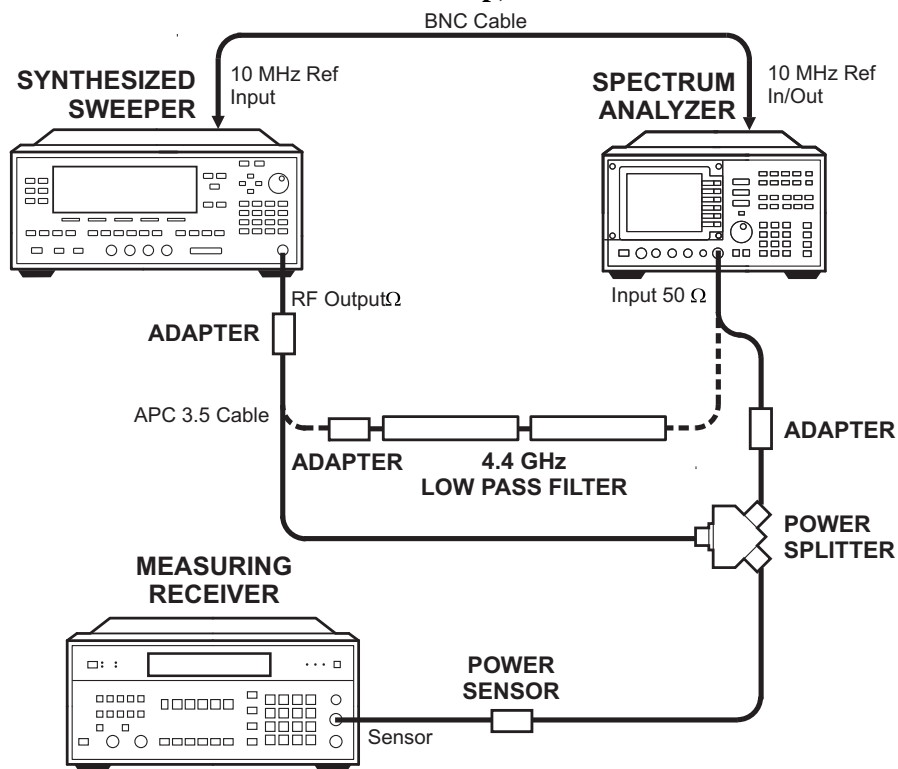
### Second Harmonic Distortion Test Setup, Band 0



wj17c

**Figure 8-11**

**Second Harmonic Distortion Test Setup, Band 1**



wj112c

**Equipment**

Synthesized sweeper .....	83640B
Measuring receiver .....	8902A
Power sensor .....	8485A
50 MHz low-pass filter .....	0955-0306
4.4 GHz low-pass filter (2 required) .....	11689A
Power splitter .....	11667B

**Adapters**

Type N (m) to BNC (f) .....	1250-1476
APC-3.5 (m) to Type N (m) .....	1250-1743
APC-3.5 (f) to Type N (m) .....	1250-1744
APC-3.5 (m) to BNC (f) .....	1250-1200
APC-3.5 (f) to 2.4 mm (f) .....	11901B

**Cables**

BNC, 122 cm (48 in.) (2 required) Agilent 10503A

APC 3.5, 91 cm (36 in.) ..... 8120-4921

**Procedure**

**Second Harmonic Distortion, <1.45 GHz**

1. Connect the equipment as shown in [Figure 8-10](#), using the 50 MHz low-pass filter. The spectrum analyzer provides the frequency reference for the synthesized sweeper.
2. Set the Agilent 83640B controls as follows:
  - Frequency ..... 40 MHz
  - Amplitude ..... -20 dBm
  - Amplitude increment ..... 0.04 dB
  - RF Output ..... On
3. On the spectrum analyzer, press **PRESET**. Set the controls as follows:
  - Center frequency ..... 40 MHz
  - Span ..... 1 kHz
  - Reference level ..... -30 dBm
4. On the spectrum analyzer, press **PEAK SEARCH**.
5. On the Agilent 83640B, adjust the output power level for a spectrum analyzer marker amplitude reading of -30 dBm ±0.17 dB.
6. On the spectrum analyzer, press **SGL SWP**. Wait for the completion of the sweep, then press **PEAK SEARCH**, **MKR→**, and **MARKER → CF STEP**.
7. Press **MKR**, **MARKER DELTA**, **FREQUENCY**, **↑**, and **SGL SWP**.
8. After the spectrum analyzer completes a new sweep, press **PEAK SEARCH**. Record the Δ MKR amplitude reading as the second harmonic distortion (<1.45 GHz).

Second harmonic distortion (<1.45 GHz): \_\_\_\_\_ dBc

### Second Harmonic Distortion, >1.45 GHz

9. Zero and calibrate the Agilent 8485A in LOG mode (readout in dBm). Enter the power sensor 3 GHz calibration factor into the Agilent 8902A.
10. Connect the equipment as shown in [Figure 8-11](#), without the filters in place.
11. On the spectrum analyzer, set the controls as follows:
  - Center frequency . . . . . 2.95 GHz
  - Center frequency step . . . . . 2.95 GHz
  - Reference level . . . . . 0 dBm
  - Span . . . . . 10 kHz
  - Resolution BW . . . . . 300 Hz
12. On the Agilent 83640B, set the controls as follows:
  - CW frequency . . . . . 2.95 GHz
  - Power level . . . . . -10 dBm
13. On the spectrum analyzer press **TRIG**, **SWEEP CONT**, **MKR**, **MARKERS OFF**, and **PEAK SEARCH**.
14. Press **AMPLITUDE**, **MORE 1 OF 3**, **MORE 2 OF 3**, and **PRESEL AUTO PK**.

---

**NOTE**

Wait for the PEAKING message to disappear before continuing to the next step.

15. On the Agilent 83640B, adjust the power level for a spectrum analyzer MKR reading of -5 dBm.
16. On the Agilent 8902A, press **RATIO**. Enter the power sensor 6 GHz calibration factor into the Agilent 8902A.
17. Set the Agilent 83640B frequency to 5.9 GHz.
18. On the spectrum analyzer press **FREQUENCY**,  $\uparrow$ , and **PEAK SEARCH**.
19. Press **AMPLITUDE**, **MORE 1 OF 3**, **MORE 2 OF 3**, and **PRESEL AUTO PK**.

---

**NOTE**

Wait for the PEAKING message to disappear before continuing to the next step.



20. On the Agilent 83640B, adjust the power level for a spectrum analyzer MKR reading of  $-5$  dBm.

21. Record the Agilent 8902A reading here, as the frequency response error:

Frequency response error: \_\_\_\_\_ dB

22. Connect the equipment as shown in Figure 8-11, with the filter in place.

23. On the Agilent 83640B, set the controls as follows:

CW frequency . . . . . 2.95 GHz

Power level . . . . .  $-5$  dBm

24. On the spectrum analyzer press **MKR**, **MARKERS OFF**, **FREQUENCY**,  $\downarrow$ , and **PEAK SEARCH**.

25. On the Agilent 83640B, adjust the power level for a spectrum analyzer marker amplitude reading of 0 dBm.

26. On the spectrum analyzer press **SGL SWP**, **SGL SWP**, **PEAK SEARCH**, **MARKER DELTA**, **FREQUENCY**, and  $\uparrow$ .

27. Press **AMPLITUDE**, 30,  $-$ **dBm**, and **SGL SWP**.

---

**NOTE** In order to obtain proper readings, wait for the completion of a new sweep.

28. Press **PEAK SEARCH**. Record the  $\Delta$  MKR amplitude reading here:

$\Delta$  MKR amplitude reading: \_\_\_\_\_ dBc

29. Algebraically add the frequency response error recorded in step 21 to the  $\Delta$  MKR amplitude reading in step 28. Record the result here, as the second harmonic distortion ( $>1.45$  GHz).

Second harmonic  
distortion ( $>1.45$  GHz): \_\_\_\_\_ dBc

## **36a. Frequency Response: 8560E/EC**

### **Instrument Under Test**

8560E/EC

### **Related Specification**

Relative Frequency Response  
Absolute Frequency Response

### **Related Adjustment**

Frequency Response Adjustment  
LO Distribution Amplifier Adjustment

### **Description**

For frequencies of 250 kHz and greater the output of a source is fed through a power splitter. One output of the power splitter is fed to a power sensor and then to a measuring receiver. The other output of the power splitter is fed to the spectrum analyzer. The source power level is adjusted at 300 MHz to place the displayed signal at the spectrum analyzer center horizontal graticule line. The measuring receiver, used as a power meter, is placed in ratio mode. At each new source frequency and spectrum analyzer center frequency, the source power level is adjusted to place the signal at the center horizontal graticule line. The measuring receiver displays the inverse of the frequency response relative to the calibrator.

For frequencies below 250 kHz the output of a function generator is fed through a power splitter to an ac digital volt meter (ACDVM) and to the spectrum analyzer. At each function generator frequency setting and spectrum analyzer center frequency setting, the function generator power level is adjusted to place the displayed signal at the spectrum analyzer center horizontal graticule line. The ACDVM is used to measure the function generator output signal level in dBm.



**36a. Frequency Response: 8560E/EC**

Power sensor . . . . .	8482A
Power splitter . . . . .	11667A
Coaxial 50 $\Omega$ termination . . . . .	908A

**Adapters**

Type N (m) to type N (m) . . . . .	1250-1475
Type N (m) to BNC (f) (2 <i>required</i> ) . . . . .	1250-1476
Type N (m) to APC 3.5 (f) (2 <i>required</i> ) . . . . .	1250-1744
BNC (f) to Dual Banana Plug . . . . .	1251-2816
BNC Tee . . . . .	1250-0781

**Cables**

BNC, 122 cm (48 in) (2 <i>required</i> ) . . . . .	10503A
APC-3.5, 91 cm (36 in) . . . . .	8120-4921
DVM test leads . . . . .	34118A

**Procedure**

1. Zero and calibrate the 8902A and the 8482A in log mode, as described in the 8902A Operation Manual. Enter the power sensor 300 MHz calibration factor into the 8902A.
2. Connect the equipment as shown in [Figure 8-12](#).
3. On the E4421B, set the controls as follows:

CW frequency . . . . .	300 MHz
Frequency increment . . . . .	100 MHz
Amplitude . . . . .	-4 dBm
4. On the spectrum analyzer, press **PRESET**. Set the controls as follows:

Center frequency . . . . .	300 MHz
Span . . . . .	.0 Hz
Reference level . . . . .	-5 dBm
dB/division . . . . .	.1 dB
Resolution BW . . . . .	30 kHz
5. On the spectrum analyzer, press **MKR**.

6. On the Agilent E4421B, adjust the power level for a MKR amplitude of  $-10 \text{ dBm} \pm 0.05 \text{ dB}$ .
7. Press **RATIO** on the Agilent 8902A.

**DC Coupled Frequency Response ( $\geq 250 \text{ kHz}$ )**

8. On the spectrum analyzer, press **AMPLITUDE, MORE 1 OF 3, and COUPLING DC**.
9. Set the Agilent E4421B frequency to 250 kHz.
10. On the spectrum analyzer, press **FREQUENCY, CENTER FREQ, 250, and kHz**.
11. On the Agilent E4421B, adjust the power level for a spectrum analyzer MKR amplitude reading of  $-10 \text{ dBm} \pm 0.05 \text{ dB}$ .
12. Enter the 0.3 MHz power sensor calibration factor, indicated in [Table 8-22](#), into the Agilent 8902A.
13. Record the negative of the power ratio displayed on the Agilent 8902A as the Agilent 8902A reading in [Table 8-22](#). Record the power ratio here exactly as it is displayed on the Agilent 8902A:

Agilent 8902A reading at 250 kHz: \_\_\_\_\_ dB

14. Set the Agilent E4421B to 1.0 MHz.
15. On the spectrum analyzer, press **FREQUENCY, CENTER FREQ, 1.0, and MHz**.
16. On the Agilent E4421B, adjust the power level for a spectrum analyzer MKR amplitude reading of  $-10 \text{ dBm} \pm 0.05 \text{ dB}$ .
17. Enter the 1 MHz power sensor calibration factor, indicated in [Table 8-22](#), into the Agilent 8902A.
18. Record the negative of the power ratio displayed on the Agilent 8902A, as the Agilent 8902A reading in [Table 8-22](#).
19. On the Agilent E4421B, set the frequency to the next value listed in [Table 8-22](#).
20. On the spectrum analyzer, set the center frequency to the next value listed in [Table 8-22](#).
21. On the Agilent E4421B, adjust the power level for a spectrum analyzer MKR amplitude reading of  $-10 \text{ dBm} \pm 0.05 \text{ dB}$ .
22. Enter the power sensor calibration factor, indicated in [Table 8-22](#), into the Agilent 8902A.
23. Record the negative of the power ratio displayed on the Agilent 8902A, as the Agilent 8902A reading in [Table 8-22](#).

**36a. Frequency Response: 8560E/EC**

24. To step through the remaining frequencies listed in [Table 8-22](#), repeat [step 19](#) through [step 23](#).

**AC Coupled Frequency Response ( $f \geq 250$  kHz)**

25. On the spectrum analyzer, press **AMPLITUDE, MORE 1 OF 3, and COUPLING AC**.
26. Set the Agilent E4421B to 250 kHz.
27. On the spectrum analyzer, press **FREQUENCY, CENTER FREQ, 250, and kHz**.
28. On the Agilent E4421B, adjust the power level for a spectrum analyzer MKR amplitude reading of  $-10$  dBm  $\pm 0.05$  dB.
29. Enter the 0.3 MHz power sensor calibration factor, indicated in [Table 8-23](#), into the Agilent 8902A.
30. Record the negative of the power ratio displayed on the Agilent 8902A as the Agilent 8902A reading in [Table 8-23](#). Record the power ratio here exactly as it is displayed on the Agilent 8902A:

Agilent 8902A reading at 250 kHz: \_\_\_\_\_ dB

31. Set the Agilent E4421B to 1.0 MHz.
32. On the spectrum analyzer, press **FREQUENCY, CENTER FREQ, 1.0, and MHz**.
33. On the Agilent 83640B, adjust the power level for a spectrum analyzer MKR amplitude reading of  $-10$  dBm  $\pm 0.05$  dB.
34. Enter the 0.1 MHz power sensor calibration factor, indicated in [Table 8-23](#), into the Agilent 8902A.
35. Record the negative of the power ratio displayed on the Agilent 8902A as the Agilent 8902A reading in [Table 8-23](#).
36. On the Agilent E4421B, set the frequency to the next value listed in [Table 8-23](#).
37. On the spectrum analyzer, set the center frequency to the next value listed in [Table 8-23](#).
38. On the Agilent E4421B, adjust the power level for a spectrum analyzer MKR amplitude reading of  $-10$  dBm  $\pm 0.05$  dB.
39. Enter the power sensor calibration factor, indicated in [Table 8-23](#), into the Agilent 8902A.
40. Record the negative of the power ratio displayed on the Agilent 8902A, as the Agilent 8902A reading in [Table 8-23](#).

41. To step through the remaining frequencies listed in [Table 8-23](#), repeat [step 36](#) through [step 40](#).

### DC Coupled Frequency Response ( $\leq 250$ kHz)

42. On the spectrum analyzer, press **AMPLITUDE**, **MORE 1 OF 3**, and **COUPLING DC**. Set the controls as follows:

Center frequency . . . . . 250 kHz  
Span . . . . . 100 Hz  
Resolution BW . . . . . 10 Hz  
Marker . . . . . off  
Video BW . . . . . 1 Hz

43. On the Agilent 3324A, set the controls as follows:

Frequency . . . . . 250 kHz  
Amplitude . . . . . -4 dBm  
Output . . . . . 50  $\Omega$   
Amplitude increment . . . . . 0.01 dB

44. On the Agilent 3458A, set the controls as follows:

Function . . . . . Sync AC Volts  
Math . . . . . dBm  
RES Register . . . . . 50  $\Omega$   
Front/Rear Terminal . . . . . Front  
Resolution . . . . . 7.5 digits

45. Connect the equipment as shown in [Figure 8-13](#) with the Agilent 8482A power sensor and Agilent 8902A connected to the power splitter.

46. Enter the power sensor calibration factor for 0.1 MHz into the Agilent 8902A.

47. Zero and calibrate the sensor.

48. Adjust the Agilent 3324A amplitude until the Agilent 8902A display reads the same value as recorded in [step 13](#).

49. Disconnect the Agilent 8482A and power sensor from the power splitter connect the Agilent 3458A.

**36a. Frequency Response: 8560E/EC**

50. Record the Agilent 3458A reading here and in [Table 8-24](#):

Agilent 3458A reading at 250 kHz: \_\_\_\_\_ dBm

51. On the spectrum analyzer, press **PEAK SEARCH** and **MARKER DELTA**.

52. Set the spectrum analyzer CENTER FREQ and the Agilent 3324A frequency to the next frequency listed in [Table 8-24](#).

53. Press **PEAK SEARCH** on the spectrum analyzer.

54. Adjust the Agilent 3324A amplitude for a  $\Delta$  MKR amplitude reading of 0.00 dBm  $\pm$ 0.05 dB.

55. Record the Agilent 3324A amplitude readings in [Table 8-24](#) as the ACDMV amplitude.

56. To step through the remaining frequencies listed in [Table 8-24](#), repeat [step 52](#) through [step 55](#).

57. For each of the frequencies listed in [Table 8-24](#), subtract the ACDVM amplitude reading from the ACDVM reading at 250 kHz recorded in [step 50](#). Record the results as the response relative to 250 kHz in [Table 8-24](#).

58. Add to each of the response relative to 250 kHz entries in [Table 8-24](#), the Agilent 8902A reading for 250 kHz listed in [Table 8-22](#). Record the results as the response relative to 300 MHz in [Table 8-24](#).



### Test Results

59. Record dc coupled frequency response results below:

- a. Enter the most positive number from [Table 8-24](#), column 4. \_\_\_\_\_ dB
- b. Enter the most positive number from [Table 8-22](#), column 2. \_\_\_\_\_ dB
- c. Of (a) and (b), enter whichever number is *more* positive. \_\_\_\_\_ dB
- d. Enter the most negative number from [Table 8-24](#), column 4. \_\_\_\_\_ dB
- e. Enter the most negative number from [Table 8-22](#), column 2. \_\_\_\_\_ dB
- f. Of (d) and (e), enter whichever number is *more* negative. \_\_\_\_\_ dB
- g. Subtract (f) from (c). \_\_\_\_\_ dB

60. Record ac coupled frequency response results below:

- a. Enter the most positive number from [Table 8-23](#), column 2. \_\_\_\_\_ dB
- b. Enter the most negative number from [Table 8-23](#), column 2. \_\_\_\_\_ dB
- g. Subtract (b) from (a). \_\_\_\_\_ dB

61. This step applies only to spectrum analyzers with serial number prefixes 3632A and later. Record the dc coupled frequency response results over the 100 MHz to 2.9 GHz range:

- a. Enter the most positive number from [Table 8-22](#), column 2, for center frequencies between 100 MHz and 2.9 GHz. \_\_\_\_\_ dB
- b. Enter the most negative number from [Table 8-22](#), column 2, for center frequencies between 100 MHz and 2.9 GHz. \_\_\_\_\_ dB
- c. Subtract (b) from (a). \_\_\_\_\_ dB

**Table 8-22**

**DC Coupled Frequency Response ( $\geq 250$  kHz)**

<b>Source Frequency (MHz)</b>	<b>Agilent 8902A Reading (dB)</b>	<b>Pwr Sensor Cal Factor Frequency (MHz)</b>	<b>Measurement Uncertainty (dB)</b>
0.250		0.3	+0.32/-0.34
1		1	+0.32/-0.34
10		10	+0.32/-0.34
20		10	+0.32/-0.34
50		30	+0.32/-0.34
90		100	+0.32/-0.34
100		100	+0.32/-0.34
200		300	+0.32/-0.34
300		300	+0.32/-0.34
400		300	+0.32/-0.34
500		300	+0.32/-0.34
600		1000	+0.32/-0.34
700		1000	+0.32/-0.34
800		1000	+0.32/-0.34
900		1000	+0.32/-0.34
1000		1000	+0.32/-0.34
1100		1000	+0.32/-0.34
1200		1000	+0.32/-0.34
1300		1000	+0.32/-0.34
1400		1000	+0.32/-0.34
1500		1000	+0.32/-0.34
1600		2000	+0.32/-0.34
1700		2000	+0.32/-0.34
1800		2000	+0.32/-0.34
1900		2000	+0.32/-0.34
2000		2000	+0.32/-0.34
2100		2000	+0.32/-0.34
2200		2000	+0.32/-0.34
2300		2000	+0.32/-0.34
2400		2000	+0.32/-0.34
2500		2000	+0.32/-0.34
2600		3000	+0.32/-0.34
2700		3000	+0.32/-0.34
2800		3000	+0.32/-0.34
2900		3000	+0.32/-0.34

**Table 8-23**

**AC Coupled Frequency Response ( $\geq 250$  kHz)**

<b>Column 1 Frequency (MHz)</b>	<b>Column 2 Agilent 8902A Reading (dB)</b>	<b>Column 3 Cal Factor Frequency (MHz)</b>	<b>Column 4 Measurement Uncertainty (dB)</b>
0.250		0.3	+0.32/-0.34
1		1	+0.32/-0.34
10		10	+0.32/-0.34
20		10	+0.32/-0.34
50		30	+0.32/-0.34
90		100	+0.32/-0.34
100		100	+0.32/-0.34
200		300	+0.32/-0.34
300		300	+0.32/-0.34
400		300	+0.32/-0.34
500		300	+0.32/-0.34
600		1000	+0.32/-0.34
700		1000	+0.32/-0.34
800		1000	+0.32/-0.34
900		1000	+0.32/-0.34
1000		1000	+0.32/-0.34
1100		1000	+0.32/-0.34
1200		1000	+0.32/-0.34
1300		1000	+0.32/-0.34
1400		1000	+0.32/-0.34
1500		1000	+0.32/-0.34
1600		2000	+0.32/-0.34
1700		2000	+0.32/-0.34
1800		2000	+0.32/-0.34
1900		2000	+0.32/-0.34
2000		2000	+0.32/-0.34
2100		2000	+0.32/-0.34
2200		2000	+0.32/-0.34
2300		2000	+0.32/-0.34
2400		2000	+0.32/-0.34
2500		2000	+0.32/-0.34
2600		3000	+0.32/-0.34
2700		3000	+0.32/-0.34
2800		3000	+0.32/-0.34
2900		3000	+0.32/-0.34

**36a. Frequency Response: 8560E/EC****Table 8-24****DC Coupled Frequency Response (<250 kHz)**

<b>Function Generator Frequency</b>	<b>ACDVM Amplitude (dBm)</b>	<b>Response Relative to 250 kHz</b>	<b>Response Relative to 300 MHz</b>	<b>Measurement Uncertainty (dB)</b>
250 kHz		0 (Ref)		+0.27/-0.28
100 kHz				±0.23
10 kHz				±0.23
1 kHz				±0.23
500 Hz				±0.23
200 Hz				±0.23

## 37a. Frequency Response: 8561E/EC

### Instrument Under Test

8561E/EC

### Related Specification

Relative Frequency Response  
Absolute Frequency Response  
Band Switching Uncertainty

### Related Adjustment

Frequency Response Adjustment  
LO Distribution Amplifier Adjustment

### Description

For frequencies of 250 kHz and greater the output of a source is fed through a power splitter. One output of the power splitter is fed to a power sensor and then to a measuring receiver. The other output of the power splitter is fed to the spectrum analyzer. The source power level is adjusted at 300 MHz to place the displayed signal at the spectrum analyzer center horizontal graticule line. The measuring receiver, used as a power meter, is placed in ratio mode. At each new source frequency and spectrum analyzer center frequency, the source power level is adjusted to place the signal at the center horizontal graticule line. The measuring receiver displays the inverse of the frequency response relative to the calibrator.

For frequencies below 250 kHz the output of a function generator is fed through a power splitter to an ac digital volt meter (ACDVM) and to the spectrum analyzer. At each function generator frequency setting and spectrum analyzer center frequency setting, the function generator power level is adjusted to place the displayed signal at the spectrum analyzer center horizontal graticule line. The ACDVM is used to measure the function generator output signal level in dBm.



## Equipment

Measuring receiver . . . . .	8902A
Synthesized sweeper . . . . .	83640B
Function Generator . . . . .	3324A or 33127A
Signal generator . . . . .	E4421B
AC Digital Voltmeter . . . . .	3458A
Power sensor . . . . .	8481A
Power sensor . . . . .	8482A
Power splitter . . . . .	11667A
Coaxial 50 $\Omega$ termination . . . . .	908A

## Adapters

APC-3.5 (f) to 2.4 mm (f) . . . . .	11901B
Type N (m) to type N (m) . . . . .	1250-1475
Type N (m) to BNC (f) (2 required) . . . . .	1250-1476
Type N (m) to APC 3.5 (f) (2 required) . . . . .	1250-1744
BNC (f) to Dual Banana Plug . . . . .	1251-2816
BNC Tee . . . . .	1250-0781

## Cables

BNC, 122 cm (48 in) (2 required) . . . . .	10503A
APC-3.5, 91 cm (36 in) . . . . .	8120-4921
DVM test leads . . . . .	34118A

## Procedure

1. Zero and calibrate the Agilent 8902A and the Agilent 8482A in log mode, as described in the Agilent 8902A Operation Manual. Enter the power sensor 300 MHz calibration factor into the Agilent 8902A.
2. Connect the equipment as shown in [Figure 8-14](#).
3. On the Agilent E4421B, press **INSTR PRESET**. Set the controls as follows:

CW frequency . . . . .	300 MHz
Frequency increment . . . . .	100 MHz
Amplitude . . . . .	-4 dBm

**37a. Frequency Response: 8561E/EC**

4. On the spectrum analyzer, press **PRESET**. Set the controls as follows:  
Center frequency . . . . . 300 MHz  
Center frequency step . . . . . 100 MHz  
Span . . . . . 0 Hz  
Reference level . . . . . -5 dBm  
dB/division . . . . . 1 dB  
Resolution BW . . . . . 30 kHz
5. On the spectrum analyzer, press **MKR**.
6. On the Agilent E4421B, adjust the power level for a MKR amplitude of -10 dBm  $\pm$ 0.05 dB.
7. Press **RATIO** on the Agilent 8902A.

**DC Coupled Frequency Response, Band 0 (250 kHz to 2.9 GHz)**

8. On the spectrum analyzer, press **AMPLITUDE, MORE 1 OF 3, and COUPLING DC**.
9. Set the Agilent E4421B frequency to 250 kHz.
10. On the spectrum analyzer, press **FREQUENCY, CENTER FREQ, 250, and kHz**.
11. On the Agilent E4421B, adjust the power level for a spectrum analyzer MKR amplitude reading of -10 dBm  $\pm$ 0.05 dB.
12. Enter the 0.3 MHz power sensor calibration factor, indicated in [Table 8-25](#), into the Agilent 8902A.
13. Record the negative of the power ratio displayed on the Agilent 8902A as the Agilent 8902A reading in [Table 8-25](#). Record the power ratio here exactly as it is displayed on the Agilent 8902A:

Agilent 8902A reading at 250 kHz: \_\_\_\_\_ dB

14. Set the Agilent E4421B to 1.0 MHz.
15. On the spectrum analyzer, press **FREQUENCY, CENTER FREQ, 1.0, and MHz**.
16. On the Agilent E4421B, adjust the power level for a spectrum analyzer MKR amplitude reading of -10 dBm  $\pm$ 0.05 dB.
17. Enter the 1 MHz power sensor calibration factor, indicated in [Table 8-25](#), into the Agilent 8902A.
18. Record the negative of the power ratio displayed on the Agilent 8902A, as the Agilent 8902A reading in [Table 8-25](#).



19. On the Agilent E4421B, set the frequency to the next value listed in [Table 8-25](#).
20. On the spectrum analyzer, set the center frequency to the next value listed in [Table 8-25](#).
21. On the Agilent E4421B, adjust the power level for a spectrum analyzer MKR amplitude reading of  $-10 \text{ dBm} \pm 0.05 \text{ dB}$ .
22. Enter the power sensor calibration factor, indicated in [Table 8-25](#), into the Agilent 8902A.
23. Record the negative of the power ratio displayed on the Agilent 8902A, as the Agilent 8902A reading in [Table 8-25](#).
24. To step through the remaining frequencies listed in [Table 8-25](#), repeat [step 19](#) through [step 23](#).

---

**NOTE**

It will be necessary to enter the last source and spectrum analyzer frequency, 2.9 GHz, manually; the step functions will set the frequency to 2.95 GHz.

---

**AC Coupled Frequency Response, Band 0 (250 kHz to 2.9 GHz)**

25. On the spectrum analyzer, press **AMPLITUDE, MORE 1 OF 3, and COUPLING AC**.
26. Set the Agilent E4421B to 250 kHz.
27. On the spectrum analyzer, press **FREQUENCY, CENTER FREQ, 250, and kHz**.
28. On the Agilent E4421B, adjust the power level for a spectrum analyzer MKR amplitude reading of  $-10 \text{ dBm} \pm 0.05 \text{ dB}$ .
29. Enter the 0.3 MHz power sensor calibration factor, indicated in [Table 8-26](#), into the Agilent 8902A.
30. Record the negative of the power ratio displayed on the Agilent 8902A as the Agilent 8902A reading in [Table 8-26](#). Record the power ratio here exactly as it is displayed on the Agilent 8902A:  
  
Agilent 8902A reading at 250 kHz: \_\_\_\_\_ dB
31. Set the Agilent E4421B to 1.0 MHz.
32. On the spectrum analyzer, press **FREQUENCY, CENTER FREQ, 1.0, and MHz**.
33. On the Agilent 83640B, adjust the power level for a spectrum analyzer MKR amplitude reading of  $-10 \text{ dBm} \pm 0.05 \text{ dB}$ .

**37a. Frequency Response: 8561E/EC**

34. Enter the 1.0 MHz power sensor calibration factor, indicated in [Table 8-26](#), into the Agilent 8902A.
35. Record the negative of the power ratio displayed on the Agilent 8902A as the Agilent 8902A reading in [Table 8-26](#).
36. On the Agilent E4421B, set the frequency to the next value listed in [Table 8-26](#).
37. On the spectrum analyzer, set the center frequency to the next value listed in [Table 8-26](#).
38. On the Agilent E4421B, adjust the power level for a spectrum analyzer MKR amplitude reading of  $-10 \text{ dBm} \pm 0.05 \text{ dB}$ .
39. Enter the power sensor calibration factor, indicated in [Table 8-26](#), into the Agilent 8902A.
40. Record the negative of the power ratio displayed on the Agilent 8902A as the Agilent 8902A reading in [Table 8-26](#).
41. To step through the remaining frequencies listed in [Table 8-26](#), repeat [step 36](#) through [step 40](#).

---

**NOTE**

It is necessary to enter the last source and spectrum analyzer frequency, (2.9 GHz) manually. The step functions will set the frequency to 2.95 GHz.

---

**DC Coupled Frequency Response, Band 1 (2.9 GHz to 6.50 GHz)**

42. If the instrument has warmed up for 30 minutes or more and is in a 20 to 30 °C environment, Preselector Auto Peak is **not** necessary.
43. Connect the equipment as shown in [Figure 8-15](#).
44. Zero and calibrate the Agilent 8902A with the Agilent 8481A.
45. On the spectrum analyzer, press **FREQUENCY**, 2.95, and **GHz**.
46. Set the Agilent 83640B frequency to 2.95 GHz.
47. On the spectrum analyzer, press **AUX CTRL**, **INTERNAL MIXER**, and **PRESEL AUTO PK**. Wait for the PEAKING message to disappear.
48. On the Agilent 83640B, adjust the power level for a spectrum analyzer MKR amplitude reading of  $-10 \text{ dBm} \pm 0.05 \text{ dB}$ .
49. Enter the 3.0 GHz power sensor calibration factor, indicated in [Table 8-27](#), into the Agilent 8902A.
50. Record the negative of the power ratio displayed on the Agilent 8902A as the Agilent 8902A reading in [Table 8-27](#).
51. On the Agilent 83640B, set the frequency to the next value listed in [Table 8-27](#).
52. On the spectrum analyzer, set the center frequency to the next value listed in

Table 8-27.

53. On the Agilent 83640B, adjust the power level for a spectrum analyzer MKR amplitude reading of  $-10 \text{ dBm} \pm 0.05 \text{ dB}$ .
54. Enter the power sensor calibration factor, indicated in Table 8-27, into the Agilent 8902A.
55. Record the negative of the power ratio displayed on the Agilent 8902A as the Agilent 8902A reading in Table 8-27.
56. To step through the remaining frequencies listed in Table 8-27, repeat step 51 through step 55.

---

**NOTE**

It will be necessary to enter the last source and spectrum analyzer frequency, 6.5 GHz, manually; the step functions will set the frequency to 6.55 GHz.

---

**AC Coupled Frequency Response, Band 1 (2.9 GHz to 6.50 GHz)**

57. If the instrument has warmed up for 30 minutes or more and is in a 20 to 30 °C environment, Preselector Auto Peak is **not** necessary.
58. On the spectrum analyzer, press **FREQUENCY**, 2.95, and **GHz**.
59. Set the Agilent 83640B frequency to 2.95 GHz.
60. On the spectrum analyzer, press **AUX CTRL**, **INTERNAL MIXER**, and **PRESEL AUTO PK**. Wait for the **PEAKING** message to disappear.
61. On the Agilent 83640B, adjust the power level for a spectrum analyzer MKR amplitude reading of  $-10 \text{ dBm} \pm 0.05 \text{ dB}$ .
62. Enter the 3.0 GHz power sensor calibration factor, indicated in Table 8-28, into the Agilent 8902A.
63. Record the negative of the power ratio displayed on the Agilent 8902A as the Agilent 8902A reading in Table 8-28.
64. On the Agilent 83640B, set the frequency to the next value listed in Table 8-28.
65. On the spectrum analyzer, set the center frequency to the next value listed in Table 8-28.
66. On the Agilent 83640B, adjust the power level for a spectrum analyzer MKR amplitude reading of  $-10 \text{ dBm} \pm 0.05 \text{ dB}$ .
67. Enter the power sensor calibration factor, indicated in Table 8-28, into the Agilent 8902A.
68. Record the negative of the power ratio displayed on the Agilent 8902A as the Agilent 8902A reading in Table 8-28.
69. To step through the remaining frequencies listed in Table 8-28, repeat step 64

**37a. Frequency Response: 8561E/EC**

through [step 68](#).

---

**NOTE**

---

It will be necessary to enter the last source and spectrum analyzer frequency, 6.5 GHz, manually; the step functions will set the frequency to 6.55 GHz.

**DC Coupled Frequency Response ( $\leq 250$  kHz)**

70. On the spectrum analyzer, press **AMPLITUDE**, **MORE 1 OF 3**, and **COUPLING DC**. Set the controls as follows:

Center frequency . . . . . 250 kHz  
Span . . . . . 100 Hz  
Resolution BW . . . . . 10 Hz  
Marker . . . . . off  
Video BW . . . . . 1 Hz

71. On the Agilent 3324A, set the controls as follows:

Frequency . . . . . 250 kHz  
Amplitude . . . . . -4 dBm  
Amplitude increment . . . . . 0.01 dB

72. On the Agilent 3458A, set the controls as follows:

Function . . . . . Sync AC Volts  
Math . . . . . dBm  
RES Register . . . . . 50  $\Omega$   
Front/Rear Terminal . . . . . Front  
Resolution . . . . . 7.5 digits

73. Connect the equipment as shown in [Figure 8-12](#) with the Agilent 8482A power sensor and Agilent 8902A connected to the power splitter.

74. Enter the power sensor calibration factor for 0.3 MHz into the Agilent 8902A.

75. Zero and calibrate the sensor.

76. Adjust the Agilent 3324A amplitude until the Agilent 8902A display reads the same value as recorded in [step 13](#).

77. Disconnect the Agilent 8482A power sensor from the power splitter and connect the Agilent 3458A.

78. Record the Agilent 3458A reading here and in [Table 8-29](#):

Agilent 3458A reading at 250 kHz: \_\_\_\_\_ dBm

79. On the spectrum analyzer, press **PEAK SEARCH** and **MARKER DELTA**.
80. Set the spectrum analyzer CENTER FREQ and the Agilent 3324A frequency to the next frequency listed in [Table 8-29](#).
81. Press **PEAK SEARCH** on the spectrum analyzer.
82. Adjust the Agilent 3324A amplitude for a  $\Delta$  MKR amplitude reading of 0.00 dBm  $\pm$ 0.05 dB.
83. Record the Agilent 3458A amplitude readings in [Table 8-29](#) as the ACDMV amplitude.
84. To step through the remaining frequencies listed in [Table 8-29](#), repeat [step 80](#) through [step 83](#)
85. For each of the frequencies listed in [Table 8-29](#), subtract the ACDVM amplitude reading from the ACDVM reading at 250 kHz recorded in [step 78](#). Record the results as the response relative to 250 kHz in [Table 8-29](#).
86. Add to each of the response relative to 250 kHz entries in [Table 8-29](#) the Agilent 8902A reading for 250 kHz listed in [Table 8-25](#). Use the value from [Table 8-29](#) for the ac coupled frequency. Record the results as the response relative to 300 MHz in [Table 8-29](#).

### Test Results

87. Enter the results of the dc coupled frequency response, Band 0, below:

88. a. Enter the most positive number from [Table 8-29](#), \_\_\_\_\_ dB  
column 4.
89. b. Enter the most positive number from [Table 8-25](#), \_\_\_\_\_ dB  
column 2.
- c. Of (a) and (b), enter whichever number is *more* positive. \_\_\_\_\_ dB
90. d. Enter the most negative number from [Table 8-29](#), \_\_\_\_\_ dB  
column 4.
91. e. Enter the most negative number from [Table 8-25](#), \_\_\_\_\_ dB  
column 2.
- f. Of (c) and (d), enter whichever number is *more* negative. \_\_\_\_\_ dB
- g. Subtract (f) from (c). \_\_\_\_\_ dB

**37a. Frequency Response: 8561E/EC**

92. Enter the results of the ac coupled frequency response, Band 0, below:

- a. Enter the most positive number from [Table 8-26](#), column \_\_\_\_\_ dB  
2.
- b. Enter the most negative number from [Table 8-26](#), column \_\_\_\_\_ dB  
2.
- c. Subtract (b) from (a). \_\_\_\_\_ dB

93. Enter the results of the dc coupled frequency response, Band 1, below:

- a. Enter the most positive number from [Table 8-27](#), column \_\_\_\_\_ dB  
2.
- b. Enter the most negative number from [Table 8-27](#), column \_\_\_\_\_ dB  
2.
- c. Subtract (b) from (a). \_\_\_\_\_ dB

94. Enter the results of the ac coupled frequency response, Band 1, below:

- b. Enter the most positive number from [Table 8-28](#), column \_\_\_\_\_ dB  
2.
- c. Enter the most negative number from [Table 8-28](#), column \_\_\_\_\_ dB  
2.
- d. Subtract (b) from (a). \_\_\_\_\_ dB

### Band Switching Uncertainty

95. Band 0 to Band 1 results (dc coupled):
- a. Enter the value recorded in [step 87](#) (c): \_\_\_\_\_ dB
  - b. Enter the value recorded in [step 93](#) (b): \_\_\_\_\_ dB
  - c. Compute the absolute value of the difference between these two entries. \_\_\_\_\_ dB
96. Band 1 to Band 0 results (dc coupled):
- a. Enter the value recorded in [step 87](#) 66 (f): \_\_\_\_\_ dB
  - b. Enter the value recorded in [step 93](#) 67 (a): \_\_\_\_\_ dB
  - c. Compute the absolute value of the difference between these two entries. \_\_\_\_\_ dB
97. Band 0 to Band 1 results (ac coupled):
- a. Enter the value recorded in [step 92](#) (c): \_\_\_\_\_ dB
  - b. Enter the value recorded in [step 94](#) (b): \_\_\_\_\_ dB
  - c. Compute the absolute value of the difference between these two entries. \_\_\_\_\_ dB
98. Band 1 to Band 0 results (ac coupled):
- a. Enter the value recorded in [step 92](#) (f): \_\_\_\_\_ dB
  - b. Enter the value recorded in [step 94](#) (a): \_\_\_\_\_ dB
  - c. Compute the absolute value of the difference between these two entries. \_\_\_\_\_ dB

**37a. Frequency Response: 8561E/EC****Table 8-25****DC Coupled Frequency Response (250 kHz to 2.9 GHz)**

<b>Source Frequency  (MHz)</b>	<b>Agilent 8902A Reading  (dB)</b>	<b>Pwr Sensor Cal Factor Frequency  (MHz)</b>	<b>Measurement Uncertainty  (dB)</b>
0.250		0.3	+0.32/-0.34
1		1	+0.32/-0.34
10		10	+0.32/-0.34
20		10	+0.32/-0.34
50		30	+0.32/-0.34
90		100	+0.32/-0.34
100		100	+0.32/-0.34
200		300	+0.32/-0.34
300		300	+0.32/-0.34
400		300	+0.32/-0.34
500		300	+0.32/-0.34
600		1000	+0.32/-0.34
700		1000	+0.32/-0.34
800		1000	+0.32/-0.34
900		1000	+0.32/-0.34
1000		1000	+0.32/-0.34
1100		1000	+0.32/-0.34
1200		1000	+0.32/-0.34
1300		1000	+0.32/-0.34
1400		1000	+0.32/-0.34
1500		1000	+0.32/-0.34
1600		2000	+0.32/-0.34
1700		2000	+0.32/-0.34
1800		2000	+0.32/-0.34
1900		2000	+0.32/-0.34
2000		2000	+0.32/-0.34
2100		2000	+0.32/-0.34
2200		2000	+0.32/-0.34
2300		2000	+0.32/-0.34
2400		2000	+0.32/-0.34
2500		2000	+0.32/-0.34
2600		3000	+0.32/-0.34
2700		3000	+0.32/-0.34
2800		3000	+0.32/-0.34
2900		3000	+0.32/-0.34



**Table 8-26**

**AC Coupled Frequency Response(250 kHz to 2.9 GHz)**

<b>Source Frequency (MHz)</b>	<b>Agilent 8902A Reading (dB)</b>	<b>Pwr Sensor Cal Factor Frequency (MHz)</b>	<b>Measurement Uncertainty (dB)</b>
0.250		0.3	+0.32/-0.34
1		1	+0.32/-0.34
10		10	+0.32/-0.34
20		10	+0.32/-0.34
50		30	+0.32/-0.34
90		100	+0.32/-0.34
100		100	+0.32/-0.34
200		300	+0.32/-0.34
300		300	+0.32/-0.34
400		300	+0.32/-0.34
500		300	+0.32/-0.34
600		1000	+0.32/-0.34
700		1000	+0.32/-0.34
800		1000	+0.32/-0.34
900		1000	+0.32/-0.34
1000		1000	+0.32/-0.34
1100		1000	+0.32/-0.34
1200		1000	+0.32/-0.34
1300		1000	+0.32/-0.34
1400		1000	+0.32/-0.34
1500		1000	+0.32/-0.34
1600		2000	+0.32/-0.34
1700		2000	+0.32/-0.34
1800		2000	+0.32/-0.34
1900		2000	+0.32/-0.34
2000		2000	+0.32/-0.34
2100		2000	+0.32/-0.34
2200		2000	+0.32/-0.34
2300		2000	+0.32/-0.34
2400		2000	+0.32/-0.34
2500		2000	+0.32/-0.34
2600		3000	+0.32/-0.34
2700		3000	+0.32/-0.34
2800		3000	+0.32/-0.34
2900		3000	+0.32/-0.34

**Table 8-27**

**DC Coupled Frequency Response (2.9 GHz to 6.5 GHz)**

<b>Source Frequency (GHz)</b>	<b>Agilent 8902A Reading (dB)</b>	<b>Pwr Sensor Cal Factor Frequency (GHz)</b>	<b>Measurement Uncertainty (dB)</b>
2.95		3.0	+0.44/-0.49
3.05		3.0	+0.44/-0.49
3.15		3.0	+0.44/-0.49
3.25		3.0	+0.44/-0.49
3.35		3.0	+0.44/-0.49
3.45		3.0	+0.44/-0.49
3.55		4.0	+0.44/-0.49
3.65		4.0	+0.44/-0.49
3.75		4.0	+0.44/-0.49
3.85		4.0	+0.44/-0.49
3.95		4.0	+0.44/-0.49
4.05		4.0	+0.44/-0.49
4.15		4.0	+0.44/-0.49
4.25		4.0	+0.44/-0.49
4.35		4.0	+0.44/-0.49
4.45		4.0	+0.44/-0.49
4.55		5.0	+0.44/-0.49
4.65		5.0	+0.44/-0.49
4.75		5.0	+0.44/-0.49
4.85		5.0	+0.44/-0.49
4.95		5.0	+0.44/-0.49
5.05		5.0	+0.44/-0.49
5.15		5.0	+0.44/-0.49
5.25		5.0	+0.44/-0.49
5.35		5.0	+0.44/-0.49
5.45		5.0	+0.44/-0.49
5.55		6.0	+0.44/-0.49
5.65		6.0	+0.44/-0.49
5.75		6.0	+0.44/-0.49
5.85		6.0	+0.44/-0.49
5.95		6.0	+0.44/-0.49
6.05		6.0	+0.44/-0.49
6.15		6.0	+0.44/-0.49
6.25		6.0	+0.44/-0.49
6.35		6.0	+0.44/-0.49
6.45		6.0	+0.44/-0.49
6.50		6.0	+0.44/-0.49

**Table 8-28**

**AC Coupled Frequency Response (2.9 GHz to 6.5 GHz)**

<b>Source Frequency (GHz)</b>	<b>Agilent 8902A Reading (dB)</b>	<b>Pwr Sensor Cal Factor Frequency (GHz)</b>	<b>Measurement Uncertainty (dB)</b>
2.95		3.0	+0.44/-0.49
3.05		3.0	+0.44/-0.49
3.15		3.0	+0.44/-0.49
3.25		3.0	+0.44/-0.49
3.35		3.0	+0.44/-0.49
3.45		3.0	+0.44/-0.49
3.55		4.0	+0.44/-0.49
3.65		4.0	+0.44/-0.49
3.75		4.0	+0.44/-0.49
3.85		4.0	+0.44/-0.49
3.95		4.0	+0.44/-0.49
4.05		4.0	+0.44/-0.49
4.15		4.0	+0.44/-0.49
4.25		4.0	+0.44/-0.49
4.35		4.0	+0.44/-0.49
4.45		4.0	+0.44/-0.49
4.55		5.0	+0.44/-0.49
4.65		5.0	+0.44/-0.49
4.75		5.0	+0.44/-0.49
4.85		5.0	+0.44/-0.49
4.95		5.0	+0.44/-0.49
5.05		5.0	+0.44/-0.49
5.15		5.0	+0.44/-0.49
5.25		5.0	+0.44/-0.49
5.35		5.0	+0.44/-0.49
5.45		5.0	+0.44/-0.49
5.55		6.0	+0.44/-0.49
5.65		6.0	+0.44/-0.49
5.75		6.0	+0.44/-0.49
5.85		6.0	+0.44/-0.49
5.95		6.0	+0.44/-0.49
6.05		6.0	+0.44/-0.49
6.15		6.0	+0.44/-0.49
6.25		6.0	+0.44/-0.49
6.35		6.0	+0.44/-0.49
6.45		6.0	+0.44/-0.49
6.50		6.0	+0.44/-0.49

Table 8-29

DC Coupled Frequency Response (<250 kHz)

Function Generator Frequency	ACDVM Amplitude (dBm)	Response Relative to 250 kHz	Response Relative to 300 MHz	Measurement Uncertainty (dB)
250 kHz		0 (Ref)		±0.23
100 kHz				±0.23
10 kHz				±0.23
1 kHz				±0.23
500 Hz				±0.23
200 Hz				±0.23

## 38a. Frequency Response: 8562E/EC

### Instrument Under Test

8562E/EC

### Related Specification

Relative Frequency Response  
Absolute Frequency Response  
Band Switching Uncertainty

### Related Adjustment

Frequency Response Adjustment  
LO Distribution Amplifier Adjustment

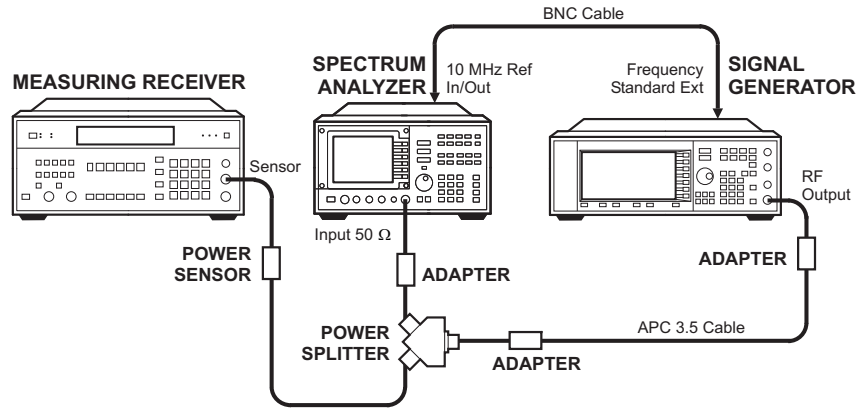
### Description

For frequencies of 250 kHz and greater the output of a source is fed through a power splitter. One output of the power splitter is fed to a power sensor and then to a measuring receiver. The other output of the power splitter is fed to the spectrum analyzer. The source power level is adjusted at 300 MHz to place the displayed signal at the spectrum analyzer center horizontal graticule line. The measuring receiver, used as a power meter, is placed in ratio mode. At each new source frequency and spectrum analyzer center frequency, the source power level is adjusted to place the signal at the center horizontal graticule line. The measuring receiver displays the inverse of the frequency response relative to the calibrator.

For frequencies below 250 kHz the output of a function generator is fed through a power splitter to an ac digital volt meter (ACDVM) and to the spectrum analyzer. At each function generator frequency setting and spectrum analyzer center frequency setting, the function generator power level is adjusted to place the displayed signal at the spectrum analyzer center horizontal graticule line. The ACDVM is used to measure the function generator output signal level in dBm.

Figure 8-17

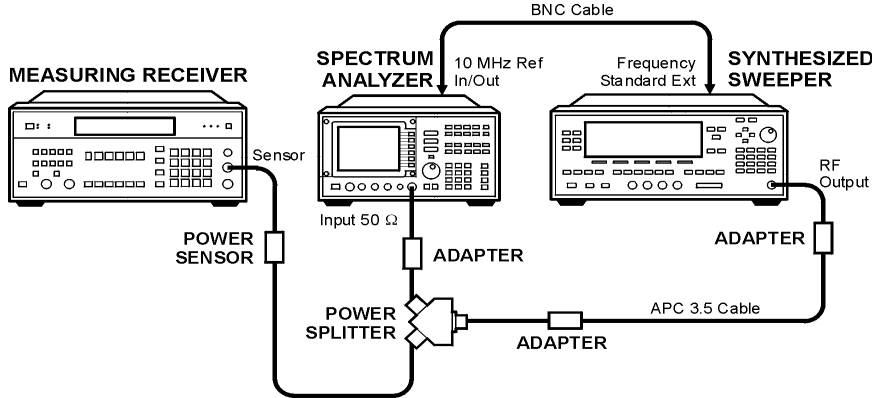
Frequency Response Test Setup, 250 kHz to 2.9 GHz



wj15c

Figure 8-18

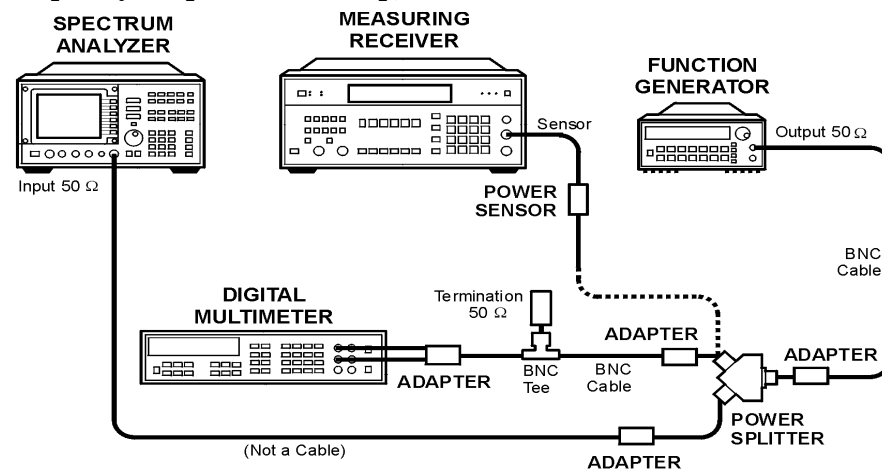
Frequency Response Test Setup, 2.9 MHz to 13.2 GHz



wj123c

Figure 8-19

Frequency Response Test Setup,  $\leq 250$  kHz



wj116c

## Equipment

Measuring receiver . . . . .	8902A
Synthesized sweeper . . . . .	83640B
Function Generator . . . . .	3324A or 33127A
Signal generator . . . . .	E4421B
AC Digital Voltmeter . . . . .	3458A
Power sensor . . . . .	8481A
Power sensor . . . . .	8482A
Power splitter . . . . .	11667A
Coaxial 50 $\Omega$ termination . . . . .	908A

## Adapters

APC-3.5 (f) to 2.4 mm (f) . . . . .	11901B
Type N (m) to type N (m) . . . . .	1250-1475
Type N (m) to BNC (f) (2 required) . . . . .	1250-1476
Type N (m) to APC 3.5 (f) (2 required) . . . . .	1250-1744
BNC (f) to Dual Banana Plug . . . . .	1251-2816
BNC Tee . . . . .	1250-0781

## Cables

BNC, 122 cm (48 in) (2 required) . . . . .	10503A
APC-3.5, 91 cm (36 in) . . . . .	8120-4921
DVM test leads . . . . .	34118A

**38a. Frequency Response: 8562E/EC**

**Procedure**

1. Zero and calibrate the Agilent 8902A and the Agilent 8482A in log mode, as described in the Agilent 8902A Operation Manual. Enter the power sensor 300 MHz calibration factor into the Agilent 8902A.
2. Connect the equipment as shown in [Figure 8-17](#).
3. On the Agilent E4421B, press **INSTR PRESET**. Set the controls as follows:
  - CW frequency . . . . . 300 MHz
  - Frequency increment . . . . . 100 MHz
  - Amplitude . . . . . -4 dBm
4. On the spectrum analyzer, press **PRESET**. Set the controls as follows:
  - Center frequency . . . . . 300 MHz
  - Center frequency step . . . . . 100 MHz
  - Span . . . . . 0 Hz
  - Reference level . . . . . -5 dBm
  - dB/division . . . . . 1 dB
  - Resolution BW . . . . . 30 kHz
5. On the spectrum analyzer, press **MKR**.
6. On the Agilent E4421B, adjust the power level for a MKR amplitude of -10 dBm ±0.05 dB.
7. Press **RATIO** on the Agilent 8902A.

**DC Coupled Frequency Response, Band 0 (250 kHz to 2.9 GHz)**

8. On the spectrum analyzer, press **AMPLITUDE, MORE 1 OF 3, and COUPLING DC**.
9. Set the Agilent E4421B frequency to 250 kHz.
10. On the spectrum analyzer, press **FREQUENCY, CENTER FREQ, 250, and kHz**.
11. On the Agilent E4421B, adjust the power level for a spectrum analyzer MKR amplitude reading of -10 dBm ±0.05 dB.
12. Enter the 0.3 MHz power sensor calibration factor, indicated in [Table 8-30](#), into the Agilent 8902A.



- Record the negative of the power ratio displayed on the 8902A as the Agilent 8902A reading in [Table 8-30](#). Record the power ratio here exactly as it is displayed on the Agilent 8902A:

Agilent 8902A reading at 250 kHz (dc coupled): \_\_\_\_\_ dB

- Set the Agilent E4421B to 1.0 MHz.
- On the spectrum analyzer, press **FREQUENCY, CENTER FREQ**, 1.0, and **MHz**.
- On the Agilent E4421B, adjust the power level for a spectrum analyzer MKR amplitude reading of  $-10 \text{ dBm} \pm 0.05 \text{ dB}$ .
- Enter the 1 MHz power sensor calibration factor, indicated in [Table 8-30](#), into the Agilent 8902A.
- Record the negative of the power ratio displayed on the Agilent 8902A, as the Agilent 8902A reading in [Table 8-30](#).
- On the Agilent E4421B, set the frequency to the next value listed in [Table 8-30](#).
- On the spectrum analyzer, set the center frequency to the next value listed in [Table 8-30](#).
- On the Agilent E4421B, adjust the power level for a spectrum analyzer MKR amplitude reading of  $-10 \text{ dBm} \pm 0.05 \text{ dB}$ .
- Enter the power sensor calibration factor, indicated in [Table 8-30](#), into the Agilent 8902A.
- Record the negative of the power ratio displayed on the Agilent 8902A, as the Agilent 8902A reading in [Table 8-30](#).
- To step through the remaining frequencies listed in [Table 8-30](#), repeat [step 19](#) through [step 23](#).

---

**NOTE**

It will be necessary to enter the last source and spectrum analyzer frequency, 2.9 GHz, manually; the step functions will set the frequency to 2.95 GHz.

---

**AC Coupled Frequency Response, Band 0 (250 kHz to 2.9 GHz)**

- On the spectrum analyzer, press **AMPLITUDE, MORE 1 OF 3**, and **COUPLING AC**.
- Set the Agilent E4421B to 300 MHz.
- On the spectrum analyzer, press **FREQUENCY, CENTER FREQ**, 300, and **MHz**.
- On the Agilent E4421B, adjust the power level for a spectrum analyzer MKR

**38a. Frequency Response: 8562E/EC**

amplitude reading of  $-10 \text{ dBm} \pm 0.05 \text{ dB}$ .

29. Enter the 300 MHz power sensor calibration factor, indicated in [Table 8-31](#), into the Agilent 8902A.
30. On the Agilent 8902A, press **RATIO**.
31. Set the Agilent E4421B to 250 kHz.
32. Enter the 0.3 MHz power sensor calibration factor, indicated in [Table 8-31](#), into the Agilent 8902A.
33. On the Agilent E4421B, adjust the power level for a spectrum analyzer MKR amplitude reading of  $-10 \text{ dBm} \pm 0.05 \text{ dB}$ .
34. Record the negative of the power ratio displayed on the Agilent 8902A as the Agilent 8902A reading in [Table 8-31](#). Record the power ratio here exactly as it is displayed on the Agilent 8902A:

Agilent 8902A reading at 250 kHz (ac coupled): \_\_\_\_\_ dB

35. Set the Agilent E4421B to 1.0 MHz.
36. On the spectrum analyzer, press **FREQUENCY**, **CENTER FREQ**, 1.0, and **MHz**.
37. On the Agilent E4421B, adjust the power level for a spectrum analyzer MKR amplitude reading of  $-10 \text{ dBm} \pm 0.05 \text{ dB}$ .
38. Enter the 1 MHz power sensor calibration factor, indicated in [Table 8-31](#), into the Agilent 8902A.
39. Record the negative of the power ratio displayed on the Agilent 8902A as the Agilent 8902A reading in [Table 8-31](#).
40. On the Agilent E4421B, set the frequency to the next value listed in [Table 8-31](#).
41. On the spectrum analyzer, set the center frequency to the next value listed in [Table 8-31](#).
42. On the Agilent E4421B, adjust the power level for a spectrum analyzer MKR amplitude reading of  $-10 \text{ dBm} \pm 0.05 \text{ dB}$ .
43. Enter the power sensor calibration factor, indicated in [Table 8-31](#), into the Agilent 8902A.
44. Record the negative of the power ratio displayed on the Agilent 8902A as the Agilent 8902A reading in [Table 8-31](#).
45. To step through the remaining frequencies listed in [Table 8-31](#), repeat [step 40](#) through [step 44](#).

---

**NOTE**

It is necessary to enter the last source and spectrum analyzer frequency, (2.9 GHz) manually. The step functions will set the frequency to 2.95 GHz.

---

**DC Coupled Frequency Response, Band 1 (2.9 GHz to 6.5 GHz)**

46. If the instrument has warmed up for 30 minutes or more and is in a 20 to 30 °C environment, Preselector Auto Peak is **not** necessary.
47. Connect the equipment as shown in [Figure 8-18](#).
48. Zero and calibrate the Agilent 8902A with the Agilent 8481A.
49. On the spectrum analyzer, press **AMPLITUDE**, **MORE 1 OF 3**, and **COUPLING DC**.
50. On the spectrum analyzer, press **FREQUENCY**, 2.95, and **GHz**.
51. Set the Agilent 83640B frequency to 2.95 GHz.
52. On the spectrum analyzer, press **AUX CTRL**, **INTERNAL MIXER**, and **PRESEL AUTO PK**. Wait for the **PEAKING** message to disappear.
53. On the Agilent 83640B, adjust the power level for a spectrum analyzer MKR amplitude reading of  $-10 \text{ dBm} \pm 0.05 \text{ dB}$ .
54. Enter the 3.0 GHz power sensor calibration factor, indicated in [Table 8-32](#), into the Agilent 8902A.
55. Record the negative of the power ratio displayed on the Agilent 8902A as the Agilent 8902A reading in [Table 8-32](#).
56. On the Agilent 83640B, set the frequency to the next value listed in [Table 8-32](#).
57. On the spectrum analyzer, set the center frequency to the next value listed in [Table 8-32](#).
58. On the Agilent 83640B, adjust the power level for a spectrum analyzer MKR amplitude reading of  $-10 \text{ dBm} \pm 0.05 \text{ dB}$ .
59. Enter the power sensor calibration factor, indicated in [Table 8-32](#), into the Agilent 8902A.
60. Record the negative of the power ratio displayed on the Agilent 8902A as the Agilent 8902A reading in [Table 8-32](#).

**38a. Frequency Response: 8562E/EC**

61. To step through the remaining frequencies listed in [Table 8-32](#), repeat [step 56](#) through [step 60](#).

---

**NOTE**

It will be necessary to enter the last source and spectrum analyzer frequency, 6.5 GHz, manually; the step functions will set the frequency to 6.55 GHz.

---

**DC Coupled Frequency Response, Band 2 (6.5 GHz to 13.2 GHz)**

62. On the spectrum analyzer, press **FREQUENCY**, 6.5, **GHz**, **CF STEP**, 200, and **MHz**.
63. Set the Agilent 83640B frequency to 6.5 GHz and the **FREQ STEP** to 200 MHz.
64. On the spectrum analyzer, press **AUX CTRL**, **INTERNAL MIXER**, and **PRESEL AUTO PK**. Wait for the **PEAKING** message to disappear.
65. On the Agilent 83640B, adjust the power level for a spectrum analyzer **MKR** amplitude reading of  $-10 \text{ dBm} \pm 0.05 \text{ dB}$ .
66. Enter the 3.0 GHz power sensor calibration factor, indicated in [Table 8-33](#), into the Agilent 8902A.
67. Record the negative of the power ratio displayed on the Agilent 8902A as the Agilent 8902A reading in [Table 8-33](#).
68. On the Agilent 83640B, set the frequency to the next value listed in [Table 8-33](#).
69. On the spectrum analyzer, set the center frequency to the next value listed in [Table 8-33](#).
70. On the Agilent 83640B, adjust the power level for a spectrum analyzer **MKR** amplitude reading of  $-10 \text{ dBm} \pm 0.05 \text{ dB}$ .
71. Enter the power sensor calibration factor, indicated in [Table 8-33](#), into the Agilent 8902A.
72. Record the negative of the power ratio displayed on the Agilent 8902A as the Agilent 8902A reading in [Table 8-33](#).
73. To step through the remaining frequencies listed in [Table 8-33](#), repeat [step 68](#) through [step 72](#).

### AC Coupled Frequency Response, Band 1 (2.9 GHz to 6.5 GHz)

74. If the instrument has warmed up for 30 minutes or more and is in a 20 to 30 °C environment, Preselector Auto Peak is **not** necessary.
75. On the spectrum analyzer, press **AMPLITUDE, MORE 1 OF 3**, and **COUPLING AC**.
76. On the spectrum analyzer, press **FREQUENCY, 2.95, GHz**.
77. Set the Agilent 83640B frequency to 2.95 GHz and the frequency step to 100 MHz.
78. On the spectrum analyzer, press **AUX CTRL, INTERNAL MIXER**, and **PRESEL AUTO PK**. Wait for the **PEAKING** message to disappear.
79. On the Agilent 83640B, adjust the power level for a spectrum analyzer MKR amplitude reading of  $-10 \text{ dBm} \pm 0.05 \text{ dB}$ .
80. Enter the 3.0 GHz power sensor calibration factor, indicated in [Table 8-34](#), into the Agilent 8902A.
81. Record the negative of the power ratio displayed on the Agilent 8902A as the Agilent 8902A reading in [Table 8-34](#).
82. On the Agilent 83640B, set the frequency to the next value listed in [Table 8-34](#).
83. On the spectrum analyzer, set the center frequency to the next value listed in [Table 8-34](#).
84. On the Agilent 83640B, adjust the power level for a spectrum analyzer MKR amplitude reading of  $-10 \text{ dBm} \pm 0.05 \text{ dB}$ .
85. Enter the power sensor calibration factor, indicated in [Table 8-34](#), into the Agilent 8902A.
86. Record the negative of the power ratio displayed on the Agilent 8902A as the Agilent 8902A reading in [Table 8-34](#).
87. To step through the remaining frequencies listed in [Table 8-34](#), repeat [step 82](#) through [step 86](#).

---

**NOTE**

It will be necessary to enter the last source and spectrum analyzer frequency, 6.5 GHz, manually; the step functions will set the frequency to 6.55 GHz.

---

### AC Coupled Frequency Response, Band 2 (6.5 GHz to 13.2 GHz)

88. On the spectrum analyzer, press **FREQUENCY, 6.5, GHz**.
89. Set the Agilent 83640B frequency to 6.5 GHz and the **FREQ STEP** to

**38a. Frequency Response: 8562E/EC**

200 MHZ.

90. On the spectrum analyzer, press **AUX CTRL**, **INTERNAL MIXER**, and **PRESEL AUTO PK**. Wait for the PEAKING message to disappear.
91. On the Agilent 83640B, adjust the power level for a spectrum analyzer MKR amplitude reading of  $-10 \text{ dBm} \pm 0.05 \text{ dB}$ .
92. Enter the 6.0 GHz power sensor calibration factor, indicated in [Table 8-35](#), into the Agilent 8902A.
93. Record the negative of the power ratio displayed on the Agilent 8902A as the Agilent 8902A reading in [Table 8-35](#).
94. On the Agilent 83640B, set the frequency to the next value listed in [Table 8-35](#).
95. On the spectrum analyzer, set the center frequency to the next value listed in [Table 8-35](#).
96. On the Agilent 83640B, adjust the power level for a spectrum analyzer MKR amplitude reading of  $-10 \text{ dBm} \pm 0.05 \text{ dB}$ .
97. Enter the power sensor calibration factor, indicated in [Table 8-35](#), into the Agilent 8902A.
98. Record the negative of the power ratio displayed on the Agilent 8902A as the Agilent 8902A reading in [Table 8-35](#).
99. To step through the remaining frequencies listed in [Table 8-35](#), repeat [step 94](#) through [step 98](#).

---

**NOTE**

It will be necessary to enter the last source and spectrum analyzer frequency, 6.5 GHz, manually; the step functions will set the frequency to 6.55 GHz.

---

**DC Coupled Frequency Response ( $\leq 250$  kHz)**

100. On the spectrum analyzer, press **AMPLITUDE, MORE 1 OF 3, COUPLING DC**. Set the controls as follows:

Center frequency . . . . . 250 kHz  
Span . . . . . 100 Hz  
Resolution BW . . . . . 10 Hz  
Marker . . . . . off  
Video BW . . . . . 1 Hz

101. On the Agilent 3324A, set the controls as follows:

Frequency . . . . . 250 kHz  
Amplitude . . . . . -4 dBm

102. On the Agilent 3458A, set the controls as follows:

Function . . . . . Sync AC Volts  
Math . . . . . dBm  
RES Register . . . . . 50  $\Omega$   
Front/Rear Terminal . . . . . Front  
Resolution . . . . . 7.5 digits

103. Connect the equipment as shown in [Figure 8-19](#) with the Agilent 8482A power sensor and Agilent 8902A connected to the power splitter.

104. Enter the power sensor calibration factor for 0.1 MHz into the Agilent 8902A.

105. Zero and calibrate the sensor.

106. Adjust the Agilent 3324A amplitude until the Agilent 8902A display reads the same value as recorded in [step 13](#).

107. Disconnect the Agilent 8482A power sensor from the power splitter and connect the Agilent 3458A.

108. Record the Agilent 3458A reading here and in [Table 8-36](#):

Agilent 3458A reading at 250 kHz: \_\_\_\_\_ dBm

109. On the spectrum analyzer, press **PEAK SEARCH** and **MARKER DELTA**.

110. Set the spectrum analyzer CENTER FREQ and the Agilent 3324A frequency to the next frequency listed in [Table 8-36](#).

**38a. Frequency Response: 8562E/EC**

111. Press **PEAK SEARCH** on the spectrum analyzer
112. Adjust the Agilent 3324A amplitude for a  $\Delta$  MKR amplitude reading of 0.00 dBm  $\pm$ 0.05 dB.
113. Record the Agilent 3458A amplitude readings in [Table 8-36](#) as the ACDMV amplitude.
114. To step through the remaining frequencies listed in [Table 8-36](#), repeat [step 110](#) through [step 113](#).
  
115. For each of the frequencies listed in [Table 8-36](#), subtract the ACDVM amplitude reading from the ACDVM amplitude reading at 250 kHz recorded in [step 108](#). Record the results as the response relative to 250 kHz in [Table 8-36](#).
116. Add to each of the response relative to 250 kHz entries in [Table 8-36](#) the Agilent 8902A reading for 250 kHz listed in [Table 8-30](#). Use the value from [Table 8-36](#) for the ac coupled frequency. Record the results as the response relative to 300 MHz in [Table 8-36](#).



### Test Results

117. Enter the results of the dc coupled frequency response, Band 0, below:

- a. Enter the most positive number from [Table 8-36](#), column 4. \_\_\_\_\_ dB
- b. Enter the most positive number from [Table 8-30](#), column 2. \_\_\_\_\_ dB
- c. Of (a) and (b), enter whichever number is *more* positive. \_\_\_\_\_ dB
- d. Enter the most negative number from [Table 8-36](#), column 4. \_\_\_\_\_ dB
- e. Enter the most negative number from [Table 8-30](#), column 2. \_\_\_\_\_ dB
- f. Of (c) and (d), enter whichever number is *more* negative. \_\_\_\_\_ dB
- g. Subtract (f) from (c). \_\_\_\_\_ dB

118. Enter the results of the ac coupled frequency response, Band 0, below:

- a. Enter the most positive number from [Table 8-31](#), column 2. \_\_\_\_\_ dB
- b. Enter the most negative number from [Table 8-31](#), column 2. \_\_\_\_\_ dB
- c. Subtract (a) from (b). \_\_\_\_\_ dB

119. Enter the results of the dc coupled frequency response, Band 1, below:

- a. Enter the most positive number from [Table 8-32](#), column 2. \_\_\_\_\_ dB
- b. Enter the most negative number from [Table 8-32](#), column 2. \_\_\_\_\_ dB
- c. Subtract (b) from (a). \_\_\_\_\_ dB

120. Enter the results of the dc coupled frequency response, Band 2, below:

- a. Enter the most positive number from [Table 8-33](#), column 2. \_\_\_\_\_ dB
- b. Enter the most negative number from [Table 8-33](#), column 2. \_\_\_\_\_ dB
- c. Subtract (b) from (a). \_\_\_\_\_ dB

**38a. Frequency Response: 8562E/EC**

121. Enter the results of the ac coupled frequency response, Band 1, below:

- b. Enter the most positive number from [Table 8-34](#), column 2. \_\_\_\_\_ dB
- c. Enter the most negative number from [Table 8-34](#), column 2. \_\_\_\_\_ dB
- d. Subtract (b) from (a). \_\_\_\_\_ dB

122. Enter the results of the ac coupled frequency response, Band 2, below:

- a. Enter the most positive number from [Table 8-35](#), column 2. \_\_\_\_\_ dB
- b. Enter the most negative number from [Table 8-35](#), column 2. \_\_\_\_\_ dB
- c. Subtract (b) from (a). \_\_\_\_\_ dB

**Frequency Response, Band 0, 100 MHz to 2.3 GHz**

123. Enter the results of the dc coupled frequency response, Band 0, for the frequency range 100 MHz to 2.3 GHz:

- 124.a. Enter the most positive number from [Table 8-30](#), column 2, for center frequencies between 100 MHz and 2.3 GHz. \_\_\_\_\_ dB
- 125.b. Enter the most negative number from [Table 8-30](#), column 2, for center frequencies between 100 MHz and 2.3 GHz. \_\_\_\_\_ dB
- c. Subtract (b) from (a). \_\_\_\_\_ dB

### Band Switching Uncertainty DC Coupled

126. In the top row of [Table 8-37](#), enter the values recorded in the indicated steps. For example, if [step 120](#) (a) has a value of 1.22 dB, enter “1.22 dB” in the top row of the Band 2 column.
127. In the left column of [Table 8-37](#), enter the values recorded in the indicated steps. For example, if [step 120](#) (b) has a value of  $-0.95$  dB, enter “ $-0.95$  dB” in the left column of the Band 2 row.
128. Compute the other entries in [Table 8-37](#) by taking the absolute value of the difference between the values in the left column and the top row.

### Band Switching Uncertainty AC Coupled

129. In the top row of [Table 8-38](#), enter the values recorded in the indicated steps. For example, if [step 122](#) (a) has a value of 1.22 dB, enter “1.22 dB” in the top row of the Band 2 column.
130. In the left column of [Table 8-38](#), enter the values recorded in the indicated steps. For example, if [step 122](#) (b) has a value of  $-0.95$  dB, enter “ $-0.95$  dB” in the left column of the Band 2 row.
131. Compute the other entries in [Table 8-38](#) by taking the absolute value of the difference between the values in the left column and the top row.

**38a. Frequency Response: 8562E/EC****Table 8-30****DC Coupled Frequency Response, Band 0 (250 kHz to 2.9 GHz)**

<b>Source Frequency  (MHz)</b>	<b>Agilent 8902A Reading  (dB)</b>	<b>Pwr Sensor Cal Factor Frequency  (MHz)</b>	<b>Measurement Uncertainty  (dB)</b>
0.250		0.01	+0.32/-0.34
1		1	+0.32/-0.34
10		10	+0.32/-0.34
20		10	+0.32/-0.34
50		30	+0.32/-0.34
90		100	+0.32/-0.34
100		100	+0.32/-0.34
200		300	+0.32/-0.34
300		300	+0.32/-0.34
400		300	+0.32/-0.34
500		300	+0.32/-0.34
600		1000	+0.32/-0.34
700		1000	+0.32/-0.34
800		1000	+0.32/-0.34
900		1000	+0.32/-0.34
1000		1000	+0.32/-0.34
1100		1000	+0.32/-0.34
1200		1000	+0.32/-0.34
1300		1000	+0.32/-0.34
1400		1000	+0.32/-0.34
1500		1000	+0.32/-0.34
1600		2000	+0.32/-0.34
1700		2000	+0.32/-0.34
1800		2000	+0.32/-0.34
1900		2000	+0.32/-0.34
2000		2000	+0.32/-0.34
2100		2000	+0.32/-0.34
2200		2000	+0.32/-0.34
2300		2000	+0.32/-0.34
2400		2000	+0.32/-0.34
2500		2000	+0.32/-0.34
2600		3000	+0.32/-0.34
2700		3000	+0.32/-0.34
2800		3000	+0.32/-0.34
2900		3000	+0.32/-0.34

**Table 8-31 AC Coupled Frequency Response, Band0 (250 kHz to 2.9 GHz)**

<b>Source Frequency (MHz)</b>	<b>Agilent 8902A Reading (dB)</b>	<b>Pwr Sensor Cal Factor Frequency (MHz)</b>	<b>Measurement Uncertainty (dB)</b>
0.250		0.01	+0.32/-0.34
1		1	+0.32/-0.34
10		10	+0.32/-0.34
20		10	+0.32/-0.34
50		30	+0.32/-0.34
90		100	+0.32/-0.34
100		100	+0.32/-0.34
200		300	+0.32/-0.34
300		300	+0.32/-0.34
400		300	+0.32/-0.34
500		300	+0.32/-0.34
600		1000	+0.32/-0.34
700		1000	+0.32/-0.34
800		1000	+0.32/-0.34
900		1000	+0.32/-0.34
1000		1000	+0.32/-0.34
1100		1000	+0.32/-0.34
1200		1000	+0.32/-0.34
1300		1000	+0.32/-0.34
1400		1000	+0.32/-0.34
1500		1000	+0.32/-0.34
1600		2000	+0.32/-0.34
1700		2000	+0.32/-0.34
1800		2000	+0.32/-0.34
1900		2000	+0.32/-0.34
2000		2000	+0.32/-0.34
2100		2000	+0.32/-0.34
2200		2000	+0.32/-0.34
2300		2000	+0.32/-0.34
2400		2000	+0.32/-0.34
2500		2000	+0.32/-0.34
2600		3000	+0.32/-0.34
2700		3000	+0.32/-0.34
2800		3000	+0.32/-0.34
2900		3000	+0.32/-0.34

**38a. Frequency Response: 8562E/EC****Table 8-32****DC Coupled Frequency Response, Band 1 (2.9 GHz to 6.5 GHz)**

<b>Source Frequency  (GHz)</b>	<b>Agilent 8902A Reading  (dB)</b>	<b>Pwr Sensor Cal Factor Frequency  (GHz)</b>	<b>Measurement Uncertainty  (dB)</b>
2.95		3.0	+0.44/-0.49
3.05		3.0	+0.44/-0.49
3.15		3.0	+0.44/-0.49
3.25		3.0	+0.44/-0.49
3.35		3.0	+0.44/-0.49
3.45		3.0	+0.44/-0.49
3.55		4.0	+0.44/-0.49
3.65		4.0	+0.44/-0.49
3.75		4.0	+0.44/-0.49
3.85		4.0	+0.44/-0.49
3.95		4.0	+0.44/-0.49
4.05		4.0	+0.44/-0.49
4.15		4.0	+0.44/-0.49
4.25		4.0	+0.44/-0.49
4.35		4.0	+0.44/-0.49
4.45		4.0	+0.44/-0.49
4.55		5.0	+0.44/-0.49
4.65		5.0	+0.44/-0.49
4.75		5.0	+0.44/-0.49
4.85		5.0	+0.44/-0.49
4.95		5.0	+0.44/-0.49
5.05		5.0	+0.44/-0.49
5.15		5.0	+0.44/-0.49
5.25		5.0	+0.44/-0.49
5.35		5.0	+0.44/-0.49
5.45		5.0	+0.44/-0.49
5.55		6.0	+0.44/-0.49
5.65		6.0	+0.44/-0.49
5.75		6.0	+0.44/-0.49
5.85		6.0	+0.44/-0.49
5.95		6.0	+0.44/-0.49
6.05		6.0	+0.44/-0.49
6.15		6.0	+0.44/-0.49
6.25		6.0	+0.44/-0.49
6.35		6.0	+0.44/-0.49
6.45		6.0	+0.44/-0.49
6.50		6.0	+0.44/-0.49

**Table 8-33**

**DC Coupled Frequency Response, Band 2 (6.5 GHz to 13.2 GHz)**

<b>Source Frequency (GHz)</b>	<b>Agilent 8902A Reading (dB)</b>	<b>Pwr Sensor Cal Factor Frequency (GHz)</b>	<b>Measurement Uncertainty (dB)</b>
6.5		6.0	+0.45/-0.50 dB
6.7		7.0	+0.45/-0.50 dB
6.9		7.0	+0.45/-0.50 dB
7.1		7.0	+0.45/-0.50 dB
7.3		7.0	+0.45/-0.50 dB
7.5		7.0	+0.45/-0.50 dB
7.7		8.0	+0.45/-0.50 dB
7.9		8.0	+0.45/-0.50 dB
8.1		8.0	+0.45/-0.50 dB
8.3		8.0	+0.45/-0.50 dB
8.5		8.0	+0.45/-0.50 dB
8.7		9.0	+0.45/-0.50 dB
8.9		9.0	+0.45/-0.50 dB
9.1		9.0	+0.45/-0.50 dB
9.3		9.0	+0.45/-0.50 dB
9.5		9.0	+0.45/-0.50 dB
9.7		10.0	+0.45/-0.50 dB
9.9		10.0	+0.45/-0.50 dB
10.1		10.0	+0.45/-0.50 dB
10.3		10.0	+0.45/-0.50 dB
10.5		10.0	+0.45/-0.50 dB
10.7		11.0	+0.45/-0.50 dB
10.9		11.0	+0.45/-0.50 dB
11.1		11.0	+0.45/-0.50 dB
11.3		11.0	+0.45/-0.50 dB
11.5		11.0	+0.45/-0.50 dB
11.7		12.0	+0.45/-0.50 dB
11.9		12.0	+0.45/-0.50 dB
12.1		12.0	+0.45/-0.50 dB
12.3		12.0	+0.45/-0.50 dB
12.5		12.0	+0.45/-0.50 dB
12.7		13.0	+0.45/-0.50 dB
12.9		13.0	+0.45/-0.50 dB
13.1		13.0	+0.45/-0.50 dB
13.2		13.0	+0.45/-0.50 dB

**38a. Frequency Response: 8562E/EC****Table 8-34****AC Coupled Frequency Response, Band 1 (2.9 GHz to 6.5 GHz)**

<b>Source Frequency  (GHz)</b>	<b>Agilent 8902A Reading  (dB)</b>	<b>Pwr Sensor Cal Factor Frequency  (GHz)</b>	<b>Measurement Uncertainty  (dB)</b>
2.95		3.0	+0.44/-0.49
3.05		3.0	+0.44/-0.49
3.15		3.0	+0.44/-0.49
3.25		3.0	+0.44/-0.49
3.35		3.0	+0.44/-0.49
3.45		3.0	+0.44/-0.49
3.55		4.0	+0.44/-0.49
3.65		4.0	+0.44/-0.49
3.75		4.0	+0.44/-0.49
3.85		4.0	+0.44/-0.49
3.95		4.0	+0.44/-0.49
4.05		4.0	+0.44/-0.49
4.15		4.0	+0.44/-0.49
4.25		4.0	+0.44/-0.49
4.35		4.0	+0.44/-0.49
4.45		4.0	+0.44/-0.49
4.55		5.0	+0.44/-0.49
4.65		5.0	+0.44/-0.49
4.75		5.0	+0.44/-0.49
4.85		5.0	+0.44/-0.49
4.95		5.0	+0.44/-0.49
5.05		5.0	+0.44/-0.49
5.15		5.0	+0.44/-0.49
5.25		5.0	+0.44/-0.49
5.35		5.0	+0.44/-0.49
5.45		5.0	+0.44/-0.49
5.55		6.0	+0.44/-0.49
5.65		6.0	+0.44/-0.49
5.75		6.0	+0.44/-0.49
5.85		6.0	+0.44/-0.49
5.95		6.0	+0.44/-0.49
6.05		6.0	+0.44/-0.49
6.15		6.0	+0.44/-0.49
6.25		6.0	+0.44/-0.49
6.35		6.0	+0.44/-0.49
6.45		6.0	+0.44/-0.49
6.50		6.0	+0.44/-0.49



**Table 8-35**

**AC Coupled Frequency Response, Band 2 (6.5 GHz to 13.2 GHz)**

<b>Source Frequency (GHz)</b>	<b>Agilent 8902A Reading (dB)</b>	<b>Pwr Sensor Cal Factor Frequency (GHz)</b>	<b>Measurement Uncertainty (dB)</b>
6.5		6.0	+0.45/-0.50
6.7		7.0	+0.45/-0.50
6.9		7.0	+0.45/-0.50
7.1		7.0	+0.45/-0.50
7.3		7.0	+0.45/-0.50
7.5		7.0	+0.45/-0.50
7.7		8.0	+0.45/-0.50
7.9		8.0	+0.45/-0.50
8.1		8.0	+0.45/-0.50
8.3		8.0	+0.45/-0.50
8.5		8.0	+0.45/-0.50
8.7		9.0	+0.45/-0.50
8.9		9.0	+0.45/-0.50
9.1		9.0	+0.45/-0.50
9.3		9.0	+0.45/-0.50
9.5		9.0	+0.45/-0.50
9.7		10.0	+0.45/-0.50
9.9		10.0	+0.45/-0.50
10.1		10.0	+0.45/-0.50
10.3		10.0	+0.45/-0.50
10.5		10.0	+0.45/-0.50
10.7		11.0	+0.45/-0.50
10.9		11.0	+0.45/-0.50
11.1		11.0	+0.45/-0.50
11.3		11.0	+0.45/-0.50
11.5		11.0	+0.45/-0.50
11.7		12.0	+0.45/-0.50
11.9		12.0	+0.45/-0.50
12.1		12.0	+0.45/-0.50
12.3		12.0	+0.45/-0.50
12.5		12.0	+0.45/-0.50
12.7		13.0	+0.45/-0.50
12.9		13.0	+0.45/-0.50
13.1		13.0	+0.45/-0.50
13.2		13.0	+0.45/-0.50

Table 8-36

DC Coupled Frequency Response (<250 kHz)

Function Generator Frequency	ACDVM Amplitude (dBm)	Response Relative to 250 kHz	Response Relative to 300 MHz	Measurement Uncertainty (dB)
250 kHz		0 (Ref)		±0.23
100 kHz				±0.23
10 kHz				±0.23
1 kHz				±0.23
500 Hz				±0.23
200 Hz				±0.23

**Table 8-37 Band Switching Uncertainty DC Coupled**

	<b>Band 0</b> <b>Step 117c</b>	<b>Band 1</b> <b>Step 119a</b>	<b>Band 2</b> <b>Step 120a</b>
<b>Band 0</b> <b>Step 117f</b>	N/A		
<b>Band 1</b> <b>Step 119b</b>		N/A	
<b>Band 2</b> <b>Step 120b</b>			N/A

**Table 8-38 Band Switching Uncertainty AC Coupled**

	<b>Band 0</b> <b>Step 118c</b>	<b>Band 1</b> <b>Step 121a</b>	<b>Band 2</b> <b>Step 121a</b>
<b>Band 0</b> <b>Step 118f</b>	N/A		
<b>Band 1</b> <b>Step 121b</b>		N/A	
<b>Band 2</b> <b>Step 122b</b>			N/A

## 39a. Frequency Response: Agilent 8563E/EC

### Instrument Under Test

Agilent 8563E/EC

### Related Specification

Relative Frequency Response  
Absolute Frequency Response  
Band Switching Uncertainty

### Related Adjustment

RYTHM Adjustment  
Frequency Response Adjustment  
LO Distribution Amplifier Adjustment

### Description

For frequencies of 250 kHz and greater the output of a source is fed through a power splitter. One output of the power splitter is fed to a power sensor and then to a measuring receiver. The other output of the power splitter is fed to the spectrum analyzer. The source power level is adjusted at 300 MHz to place the displayed signal at the spectrum analyzer center horizontal graticule line. The measuring receiver, used as a power meter, is placed in ratio mode. At each new source frequency and spectrum analyzer center frequency, the source power level is adjusted to place the signal at the center horizontal graticule line. The measuring receiver displays the inverse of the frequency response relative to the calibrator.

For frequencies below 250 kHz the output of a function generator is fed through a power splitter to an ac digital volt meter (ACDVM) and to the spectrum analyzer. At each function generator frequency setting and spectrum analyzer center frequency setting, the function generator power level is adjusted to place the displayed signal at the spectrum analyzer center horizontal graticule line. The ACDVM is used to measure the function generator output signal level in dBm.



**39a. Frequency Response: Agilent 8563E/EC**

**Equipment**

Measuring receiver . . . . .	Agilent 8902A
Synthesized sweeper . . . . .	Agilent 83640B
Function Generator . . . . .	Agilent 3324A or Agilent 33127A
Signal generator . . . . .	Agilent E4421B
AC Digital Voltmeter . . . . .	Agilent 3458A
Power sensor . . . . .	Agilent 8482A
Power sensor . . . . .	Agilent 8485A
Power splitter . . . . .	Agilent 11667A
Power splitter . . . . .	Agilent 11667B
Coaxial 50 $\Omega$ termination . . . . .	Agilent 908A

**Adapters**

APC-3.5 (f) to 2.4 mm (f) . . . . .	Agilent 11901B
Type [N (m) to type N (m) . . . . .	1250-1475
Type N (m) to BNC (f) (2 required) . . . . .	1250-1476
Type N (m) to APC 3.5 (f) (2 required) . . . . .	1250-1744
Type N (m) to APC 3.5 (m) . . . . .	1250-1743
BNC (f) to Dual Banana Plug . . . . .	1251-2816
BNC Tee . . . . .	1250-0781

**Cables**

BNC, 122 cm (48 in) (2 required) . . . . .	Agilent 10503A
APC-3.5, 91 cm (36 in) . . . . .	8120-4921
DVM test leads . . . . .	Agilent 34118A

**Procedure**

1. Zero and calibrate the Agilent 8902A and the Agilent 8482A in log mode, as described in the Agilent 8902A Operation Manual. Enter the power sensor 300 MHz calibration factor into the Agilent 8902A.
2. Connect the equipment as shown in [Figure 8-20](#).

3. On the Agilent E4421B, press **INSTR PRESET**. Set the controls as follows:  
CW frequency . . . . . 300 MHz  
Frequency increment . . . . . 100 MHz  
Amplitude . . . . . -4 dBm
4. On the spectrum analyzer, press **PRESET**. Press **RECALL, MORE 1 OF 2,** and **FACTORY PRSEL PK**. Set the controls as follows:  
Center frequency . . . . . 300 MHz  
Center frequency step . . . . . 100 MHz  
Span . . . . . 0 Hz  
Reference level . . . . . -5 dBm  
dB/division . . . . . 1 dB  
Resolution BW . . . . . 30 kHz
5. On the spectrum analyzer, press **MKR**.
6. On the Agilent E4421B, adjust the power level for a MKR amplitude of -10 dBm  $\pm$ 0.05 dB.
7. Press **RATIO** on the Agilent 8902A.

**Frequency Response, Band 0 (250 kHz to 2.9 GHz)**

8. Set the Agilent E4421B frequency to 250 kHz.
9. On the spectrum analyzer, press **FREQUENCY, CENTER FREQ, 250,** and **kHz**.
10. On the Agilent E4421B, adjust the power level for a spectrum analyzer MKR amplitude reading of -10 dBm  $\pm$ 0.05 dB.
11. Enter the 0.3 MHz power sensor calibration factor, indicated in [Table 8-39](#), into the Agilent 8902A.
12. Record the negative of the power ratio displayed on the Agilent 8902A as the Agilent 8902A reading in [Table 8-39](#). Record the power ratio here exactly as it is displayed on the Agilent 8902A:

Agilent 8902A reading at 250 kHz: \_\_\_\_\_ dB

**39a. Frequency Response: Agilent 8563E/EC**

13. Set the Agilent E4421B to 1.0 MHz.
14. On the spectrum analyzer, press **FREQUENCY**, **CENTER FREQ**, 1.0, and **MHz**.
15. On the Agilent E4421B, adjust the power level for a spectrum analyzer MKR amplitude reading of  $-10 \text{ dBm} \pm 0.05 \text{ dB}$ .
16. Enter the 1.0 MHz power sensor calibration factor, indicated in [Table 8-39](#), into the Agilent 8902A.
17. Record the negative of the power ratio displayed on the Agilent 8902A, as the Agilent 8902A reading in [Table 8-39](#).
18. On the Agilent E4421B, set the frequency to the next value listed in [Table 8-39](#).
19. On the spectrum analyzer, set the center frequency to the next value listed in [Table 8-39](#).
20. On the Agilent E4421B, adjust the power level for a spectrum analyzer MKR amplitude reading of  $-10 \text{ dBm} \pm 0.05 \text{ dB}$ .
21. Enter the 0.3 MHz power sensor calibration factor, indicated in [Table 8-39](#), into the Agilent 8902A.
22. Record the negative of the power ratio displayed on the Agilent 8902A, as the Agilent 8902A reading in [Table 8-39](#).
23. To step through the remaining frequencies listed in [Table 8-39](#), repeat [step 18](#) through [step 22](#).

---

**NOTE**

It will be necessary to enter the last source and spectrum analyzer frequency, 2.9 GHz, manually; the step functions will set the frequency to 2.95 GHz.

---



### Frequency Response, Band 1 (2.9 GHz to 6.5 GHz)

24. If the instrument has warmed up for 30 minutes or more and is in a 20 to 30 °C environment, Preselector Auto Peak is **not** necessary.
25. Connect the equipment as shown in [Figure 8-21](#).
26. Zero and calibrate the Agilent 8902A with the Agilent 8481A.
27. On the spectrum analyzer, press **FREQUENCY**, 2.95, and **GHz**.
28. Set the Agilent 83640B frequency to 2.95 GHz.
29. On the spectrum analyzer, press **AUX CTRL**, **INTERNAL MIXER**, and **PRESEL AUTO PK**. Wait for the **PEAKING** message to disappear.
30. On the Agilent 83640B, adjust the power level for a spectrum analyzer MKR amplitude reading of  $-10 \text{ dBm} \pm 0.05 \text{ dB}$ .
31. Enter the 3.0 GHz power sensor calibration factor, indicated in [Table 8-40](#), into the Agilent 8902A.
32. Record the negative of the power ratio displayed on the Agilent 8902A as the Agilent 8902A reading in [Table 8-40](#).
33. On the Agilent 83640B, set the frequency to the next value listed in [Table 8-40](#).
34. On the spectrum analyzer, set the center frequency to the next value listed in [Table 8-40](#).
35. On the Agilent 83640B, adjust the power level for a spectrum analyzer MKR amplitude reading of  $-10 \text{ dBm} \pm 0.05 \text{ dB}$ .
36. Enter the power sensor calibration factor, indicated in [Table 8-40](#), into the Agilent 8902A.
37. Record the negative of the power ratio displayed on the Agilent 8902A as the Agilent 8902A reading in [Table 8-40](#).
38. To step through the remaining frequencies listed in [Table 8-40](#), repeat [step 33](#) through [step 37](#).

**39a. Frequency Response: Agilent 8563E/EC**

**Frequency Response, Band 2 (6.5 GHz to 13.2 GHz)**

39. On the spectrum analyzer, press **FREQUENCY**, 6.5, **GHz**, **CF STEP**, 200, and **MHz**.
40. Set the Agilent 83640B frequency to 6.5 GHz and the **FREQ STEP** to 200 MHz.
41. On the spectrum analyzer, press **AUX CTRL**, **INTERNAL MIXER**, and **PRESEL AUTO PK**. Wait for the **PEAKING** message to disappear.
42. On the Agilent 83640B, adjust the power level for a spectrum analyzer **MKR** amplitude reading of  $-10 \text{ dBm} \pm 0.05 \text{ dB}$ .
43. Enter the 6.0 GHz power sensor calibration factor, indicated in [Table 8-41](#), into the Agilent 8902A.
44. Record the negative of the power ratio displayed on the Agilent 8902A as the Agilent 8902A reading in [Table 8-41](#).
45. On the Agilent 83640B, set the frequency to the next value listed in [Table 8-41](#).
46. On the spectrum analyzer, set the center frequency to the next value listed in [Table 8-41](#).
47. On the Agilent 83640B, adjust the power level for a spectrum analyzer **MKR** amplitude reading of  $-10 \text{ dBm} \pm 0.05 \text{ dB}$ .
48. Enter the power sensor calibration factor, indicated in [Table 8-41](#), into the Agilent 8902A.
49. Record the negative of the power ratio displayed on the Agilent 8902A as the Agilent 8902A reading in [Table 8-41](#).
50. To step through the remaining frequencies listed in [Table 8-41](#), repeat [step 45](#) through [step 49](#).

---

**NOTE**

It will be necessary to enter the last source and spectrum analyzer frequency, 13.2 GHz, manually; the step functions will set the frequency to 13.3 GHz.

---

### Frequency Response, Band 3 (13.2 GHz to 26.5 GHz)

51. On the spectrum analyzer, press **FREQUENCY**, 13.25, **GHz**.
52. Set the Agilent 83640B frequency to 13.25 GHz.
53. On the spectrum analyzer, press **AUX CTRL**, **INTERNAL MIXER**, and **PRESEL AUTO PK**. Wait for the **PEAKING** message to disappear.
54. On the Agilent 83640B, adjust the power level for a spectrum analyzer MKR amplitude reading of  $-10 \text{ dBm} \pm 0.05 \text{ dB}$ .
55. Enter the 13.3 GHz power sensor calibration factor, indicated in [Table 8-42](#), into the Agilent 8902A.
56. Record the negative of the power ratio displayed on the Agilent 8902A as the Agilent 8902A reading in [Table 8-42](#).
57. On the Agilent 83640B, set the frequency to the next value listed in [Table 8-42](#).
58. On the spectrum analyzer, set the center frequency to the next value listed in [Table 8-42](#).
59. On the Agilent 83640B, adjust the power level for a spectrum analyzer MKR amplitude reading of  $-10 \text{ dBm} \pm 0.05 \text{ dB}$ .
60. Enter the power sensor calibration factor, indicated in [Table 8-42](#), into the Agilent 8902A.
61. Record the negative of the power ratio displayed on the Agilent 8902A as the Agilent 8902A reading in [Table 8-42](#).
62. To step through the remaining frequencies listed in [Table 8-42](#), repeat [step 57](#) through [step 61](#).

**39a. Frequency Response: Agilent 8563E/EC**

**Frequency Response ( $\leq 250$  kHz) (Option 006 Only)**

63. On the spectrum analyzer, set the controls as follows:

Center frequency . . . . . 250 kHz  
Span . . . . . 100 Hz  
Resolution BW . . . . . 10 Hz  
Marker . . . . . off

64. On the Agilent 3324A, set the controls as follows:

Frequency . . . . . 250 kHz  
Amplitude . . . . . -4 dBm

65. On the Agilent 3458A, set the controls as follows:

Function . . . . . Sync AC Volts  
Math . . . . . dBm  
RES Register . . . . . 50  $\Omega$   
Front/Rear Terminal . . . . . Front  
Resolution . . . . . 7.5 digits

66. Connect the equipment as shown in [Figure 8-22](#) with the Agilent 8482A power sensor and Agilent 8902A connected to the power splitter.

67. Enter the 0.3 MHz power sensor calibration factor, indicated in [Table 8-43](#), into the Agilent 8902A.

68. Zero and calibrate the sensor.

69. Adjust the Agilent 3324A amplitude until the Agilent 8902A display reads the same value as recorded in [step 12](#).

70. Disconnect the Agilent 8482A power sensor from the power splitter and connect the Agilent 3458A.

71. Record the Agilent 3458A reading here and in [Table 8-43](#):

Agilent 3458A reading at 250 kHz: \_\_\_\_\_ dBm

72. On the spectrum analyzer, press **PEAK SEARCH** and **MARKER DELTA**.

73. Set the spectrum analyzer CENTER FREQ and the Agilent 3324A frequency to the next frequency listed in [Table 8-43](#).

74. Press **PEAK SEARCH** on the spectrum analyzer.

75. Adjust the Agilent 3324A amplitude for a  $\Delta$  MKR amplitude reading of 0.00 dBm  $\pm$ 0.05 dB.
76. Record the Agilent 3458A amplitude readings in [Table 8-43](#) as the ACDMV amplitude.
77. To step through the remaining frequencies listed in [Table 8-36](#), repeat [step 73](#) through [step 76](#).
78. For each of the frequencies listed in [Table 8-43](#), subtract the ACDVM amplitude reading from the ACDVM amplitude reading at 250 kHz recorded in [step 71](#). Record the results as the response relative to 250 kHz in [Table 8-43](#).
79. Add to each of the response relative to 250 kHz entries in [Table 8-43](#) the Agilent 8902A reading for 250 kHz listed in [Table 8-39](#). Record the results as the response relative to 300 MHz in [Table 8-43](#).

### Test Results

80. Enter the results of the frequency response, Band 0, 250 kHz to 2.9 GHz.
  - a. Enter the most positive number from [Table 8-42](#), column 4. \_\_\_\_\_ dB
  - b. Enter the most positive number from [Table 8-39](#), column 2. \_\_\_\_\_ dB
  - c. Of (a) and (b), enter whichever number is *more* positive. \_\_\_\_\_ dB
  - d. Enter the most negative number from [Table 8-42](#), column 4. \_\_\_\_\_ dB
  - e. Enter the most negative number from [Table 8-39](#), column 2. \_\_\_\_\_ dB
  - f. Of (c) and (d), enter whichever number is *more* negative. \_\_\_\_\_ dB
  - g. Subtract (f) from (c). \_\_\_\_\_ dB

**39a. Frequency Response: Agilent 8563E/EC**

81. Enter the results of the frequency response, Band 1, 2.9 GHz to 6.5 GHz.

- a. Enter the most positive number from [Table 8-40](#), column 2. \_\_\_\_\_ dB
- b. Enter the most negative number from [Table 8-40](#), column 2. \_\_\_\_\_ dB
- c. Subtract (b) from (a). \_\_\_\_\_ dB

82. Enter the results of the frequency response, Band 2, 6.5 GHz to 13.2 GHz.

- a. Enter the most positive number from [Table 8-41](#), column 2. \_\_\_\_\_ dB
- b. Enter the most negative number from [Table 8-41](#), column 2. \_\_\_\_\_ dB
- c. Subtract (b) from (a). \_\_\_\_\_ dB

83. Frequency Response, Band 3, 13.2 GHz to 19.7 GHz

- a. Enter the most positive number from [Table 8-42](#), column 2 for center frequencies less than or equal to 22 GHz. \_\_\_\_\_ dB
- b. Enter the most negative number from [Table 8-42](#), column 2 for center frequencies less than or equal to 22 GHz. \_\_\_\_\_ dB
- c. Subtract (b) from (a). \_\_\_\_\_ dB

84. Frequency Response, Band 3, 19.9 GHz to 26.5 GHz

- a. Enter the most positive number from [Table 8-42](#), column 2 for center frequencies greater than 22 GHz. \_\_\_\_\_ dB
- b. Enter the most negative number from [Table 8-42](#), column 2 for center frequencies greater than 22 GHz. \_\_\_\_\_ dB
- c. Subtract (b) from (a). \_\_\_\_\_ dB

### Frequency Response, Band 0, 100 MHz to 2.0 GHz

85. This step applies only to spectrum analyzers with serial number prefix 3645A or later. Enter the results of the frequency response, Band 0, for the frequency range 100 MHz to 2.0 GHz:

- a. Enter the most positive number from [Table 8-39](#), column \_\_\_\_\_ dB  
2, for center frequencies between 100 MHz and  
2.0 GHz.
- b. Enter the most negative number from [Table 8-39](#), column \_\_\_\_\_ dB  
2, for center frequencies between 100 MHz and  
2.0 GHz.
- c. Subtract (b) from (a). \_\_\_\_\_ dB

86. Frequency Response, Band 3, 13.2 GHz to 26.5 GHz

- a. Enter the most positive number from 53 (a) and 54 (a). \_\_\_\_\_ dB
- b. Enter the most negative number from 53 (b) and 54 (b). \_\_\_\_\_ dB

### Band Switching Uncertainty

- 87. In the top row of [Table 8-44](#), enter the values recorded in the indicated steps. For example, if [step 83](#) (a) has a value of 1.22 dB, enter “1.22 dB” in the top row of the Band 3 column.
- 88. In the left column of [Table 8-44](#), enter the values recorded in the indicated steps. For example, if [step 82](#) (b) has a value of -0.95 dB, enter “-0.95 dB” in the left column of the Band 2 row.
- 89. Compute the other entries in [Table 8-44](#) by taking the absolute value of the difference between the values in the left column and the top row.

**39a. Frequency Response: Agilent 8563E/EC****Table 8-39****Frequency Response, Band 0 (250 kHz to 2.9 GHz)**

<b>Source Frequency  (MHz)</b>	<b>Agilent 8902A Reading  (dB)</b>	<b>Pwr Sensor Cal Factor Frequency  (MHz)</b>	<b>Measurement Uncertainty  (dB)</b>
0.250		0.01	+0.32/-0.34
1		1	+0.32/-0.34
10		10	+0.32/-0.34
20		10	+0.32/-0.34
50		30	+0.32/-0.34
90		100	+0.32/-0.34
150		100	+0.32/-0.34
250		300	+0.32/-0.34
350		300	+0.32/-0.34
450		300	+0.32/-0.34
550		300	+0.32/-0.34
650		1000	+0.32/-0.34
750		1000	+0.32/-0.34
850		1000	+0.32/-0.34
950		1000	+0.32/-0.34
1050		1000	+0.32/-0.34
1150		1000	+0.32/-0.34
1250		1000	+0.32/-0.34
1350		1000	+0.32/-0.34
1450		1000	+0.32/-0.34
1550		2000	+0.32/-0.34
1650		2000	+0.32/-0.34
1750		2000	+0.32/-0.34
1850		2000	+0.32/-0.34
1950		2000	+0.32/-0.34
2050		2000	+0.32/-0.34
2150		2000	+0.32/-0.34
2250		2000	+0.32/-0.34
2350		2000	+0.32/-0.34
2450		2000	+0.32/-0.34
2550		3000	+0.32/-0.34
2650		3000	+0.32/-0.34
2750		3000	+0.32/-0.34
2850		3000	+0.32/-0.34
2900		3000	+0.32/-0.34



**Table 8-40**      **Frequency Response, Band 1 (2.9 GHz to 6.5 GHz)**

Source Frequency (GHz)	Agilent 8902A Reading (dB)	Pwr Sensor Cal Factor Frequency (GHz)	Measurement Uncertainty (dB)
2.95		3.0	+0.44/-0.49
3.05		3.0	+0.44/-0.49
3.15		3.0	+0.44/-0.49
3.25		3.0	+0.44/-0.49
3.35		3.0	+0.44/-0.49
3.45		3.0	+0.44/-0.49
3.55		4.0	+0.44/-0.49
3.65		4.0	+0.44/-0.49
3.75		4.0	+0.44/-0.49
3.85		4.0	+0.44/-0.49
3.95		4.0	+0.44/-0.49
4.05		4.0	+0.44/-0.49
4.15		4.0	+0.44/-0.49
4.25		4.0	+0.44/-0.49
4.35		4.0	+0.44/-0.49
4.45		4.0	+0.44/-0.49
4.55		5.0	+0.44/-0.49
4.65		5.0	+0.44/-0.49
4.75		5.0	+0.44/-0.49
4.85		5.0	+0.44/-0.49
4.95		5.0	+0.44/-0.49
5.05		5.0	+0.44/-0.49
5.15		5.0	+0.44/-0.49
5.25		5.0	+0.44/-0.49
5.35		5.0	+0.44/-0.49
5.45		5.0	+0.44/-0.49
5.55		6.0	+0.44/-0.49
5.65		6.0	+0.44/-0.49
5.75		6.0	+0.44/-0.49
5.85		6.0	+0.44/-0.49
5.95		6.0	+0.44/-0.49
6.05		6.0	+0.44/-0.49
6.15		6.0	+0.44/-0.49
6.25		6.0	+0.44/-0.49
6.35		6.0	+0.44/-0.49
6.45		6.0	+0.44/-0.49

**Table 8-41**

**Frequency Response, Band 2 (6.5 GHz to 13.2 GHz)**

<b>Source Frequency  (GHz)</b>	<b>Agilent 8902A Reading  (dB)</b>	<b>Pwr Sensor Cal Factor Frequency  (GHz)</b>	<b>Measurement Uncertainty  (dB)</b>
6.5		6.0	+0.45/-0.50 dB
6.7		7.0	+0.45/-0.50 dB
6.9		7.0	+0.45/-0.50 dB
7.1		7.0	+0.45/-0.50 dB
7.3		7.0	+0.45/-0.50 dB
7.5		7.0	+0.45/-0.50 dB
7.7		8.0	+0.45/-0.50 dB
7.9		8.0	+0.45/-0.50 dB
8.1		8.0	+0.45/-0.50 dB
8.3		8.0	+0.45/-0.50 dB
8.5		8.0	+0.45/-0.50 dB
8.7		9.0	+0.45/-0.50 dB
8.9		9.0	+0.45/-0.50 dB
9.1		9.0	+0.45/-0.50 dB
9.3		9.0	+0.45/-0.50 dB
9.5		9.0	+0.45/-0.50 dB
9.7		10.0	+0.45/-0.50 dB
9.9		10.0	+0.45/-0.50 dB
10.1		10.0	+0.45/-0.50 dB
10.3		10.0	+0.45/-0.50 dB
10.5		10.0	+0.45/-0.50 dB
10.7		11.0	+0.45/-0.50 dB
10.9		11.0	+0.45/-0.50 dB
11.1		11.0	+0.45/-0.50 dB
11.3		11.0	+0.45/-0.50 dB
11.5		11.0	+0.45/-0.50 dB
11.7		12.0	+0.45/-0.50 dB
11.9		12.0	+0.45/-0.50 dB
12.1		12.0	+0.45/-0.50 dB
12.3		12.0	+0.45/-0.50 dB
12.5		12.0	+0.45/-0.50 dB
12.7		13.0	+0.45/-0.50 dB
12.9		13.0	+0.45/-0.50 dB
13.1		13.0	+0.45/-0.50 dB
13.2		13.0	+0.45/-0.50 dB

**Table 8-42 Frequency Response, Band 3 (13.2 GHz to 26.5 GHz)**

<b>Source Frequency (GHz)</b>	<b>Agilent 8902A Reading (dB)</b>	<b>Pwr Sensor Cal Factor Frequency (GHz)</b>	<b>Measurement Uncertainty (dB)</b>
13.25		13.0	+0.46/-0.51 dB
13.3		13.0	+0.46/-0.51 dB
13.5		13.0	+0.46/-0.51 dB
13.7		14.0	+0.46/-0.51 dB
13.9		14.0	+0.46/-0.51 dB
14.1		14.0	+0.46/-0.51 dB
14.3		14.0	+0.46/-0.51 dB
14.5		14.0	+0.46/-0.51 dB
14.7		15.0	+0.46/-0.51 dB
14.9		15.0	+0.46/-0.51 dB
15.1		15.0	+0.46/-0.51 dB
15.3		15.0	+0.46/-0.51 dB
15.5		15.0	+0.46/-0.51 dB
15.7		16.0	+0.46/-0.51 dB
15.9		16.0	+0.46/-0.51 dB
16.1		16.0	+0.46/-0.51 dB
16.3		16.0	+0.46/-0.51 dB
16.5		16.0	+0.46/-0.51 dB
16.7		17.0	+0.46/-0.51 dB
16.9		17.0	+0.46/-0.51 dB
17.1		17.0	+0.46/-0.51 dB
17.3		17.0	+0.46/-0.51 dB
17.5		17.0	+0.46/-0.51 dB
17.7		18.0	+0.46/-0.51 dB
17.9		18.0	+0.46/-0.51 dB
18.1		18.0	+0.46/-0.51 dB
18.3		18.0	+0.46/-0.51 dB
18.5		18.0	+0.46/-0.51 dB
18.7		19.0	+0.46/-0.51 dB
18.9		19.0	+0.46/-0.51 dB
19.1		19.0	+0.46/-0.51 dB
19.3		19.0	+0.46/-0.51 dB
19.5		19.0	+0.46/-0.51 dB
19.7		20.0	+0.46/-0.51 dB

**Table 8-42**

**Frequency Response, Band 3 (13.2 GHz to 26.5 GHz) (Continued)**

<b>Source Frequency  (GHz)</b>	<b>Agilent 8902A Reading  (dB)</b>	<b>Pwr Sensor Cal Factor Frequency  (GHz)</b>	<b>Measurement Uncertainty  (dB)</b>
19.9		20.0	+0.51/-0.58
20.1		20.0	+0.51/-0.58
20.3		20.5	+0.51/-0.58
20.5		20.5	+0.51/-0.58
20.7		20.5	+0.51/-0.58
20.9		21.0	+0.51/-0.58
21.1		21.0	+0.51/-0.58
21.3		21.5	+0.51/-0.58
21.5		21.5	+0.51/-0.58
21.7		21.5	+0.51/-0.58
21.9		22.0	+0.51/-0.58
22.1		22.0	+0.51/-0.58
22.3		22.5	+0.51/-0.58
22.5		22.5	+0.51/-0.58
22.7		22.5	+0.51/-0.58
22.9		23.0	+0.51/-0.58
23.1		23.0	+0.51/-0.58
23.3		23.5	+0.51/-0.58
23.5		23.5	+0.51/-0.58
23.7		23.5	+0.51/-0.58
23.9		24.0	+0.51/-0.58
24.1		24.0	+0.51/-0.58
24.3		24.5	+0.51/-0.58
24.5		24.5	+0.51/-0.58
24.7		24.5	+0.51/-0.58
24.9		25.0	+0.51/-0.58
25.1		25.0	+0.51/-0.58
25.3		25.5	+0.51/-0.58
25.5		25.5	+0.51/-0.58
25.7		25.5	+0.51/-0.58
25.9		26.0	+0.51/-0.58
26.1		26.0	+0.51/-0.58
26.3		26.5	+0.51/-0.58
26.5		26.5	+0.51/-0.58

**Table 8-43**      **Frequency Response (<250 kHz) (Option 006 Only)**

<b>Function Generator Frequency</b>	<b>ACDVM Amplitude (dBm)</b>	<b>Response Relative to 250 kHz</b>	<b>Response Relative to 300 MHz</b>	<b>Measurement Uncertainty (dB)</b>
250 kHz		0 (Ref)		±0.23
100 kHz				±0.23
10 kHz				±0.23
1 kHz				±0.23
500 Hz				±0.23
200 Hz				±0.23

**Table 8-44 Band Switching Uncertainty**

	<b>Band 0</b> <b>Step 80c</b>	<b>Band 1</b> <b>Step 81a</b>	<b>Band 2</b> <b>Step 82a</b>	<b>Band 3</b> <b>&lt;19.8 GHz</b> <b>Step 83a</b>	<b>Band 3</b> <b>&gt;19.8 GHz</b> <b>Step 84a</b>
<b>Band 0</b> <b>Step 80f</b>	N/A				
<b>Band 1</b> <b>Step 81b</b>		N/A			
<b>Band 2</b> <b>Step 82b</b>			N/A		
<b>Band 3</b> <b>&lt;22 GHz</b> <b>Step 83b</b>				N/A	
<b>Band 3</b> <b>&gt;22 GHz</b> <b>Step 84b</b>					N/A

## 40a. Frequency Response: Agilent 8564E/EC

### Instrument Under Test

Agilent 8564E/EC

### Related Specification

Relative Frequency Response  
Absolute Frequency Response  
Band Switching Uncertainty

### Related Adjustment

RYTHM Adjustment  
Frequency Response Adjustment  
LO Distribution Amplifier Adjustment  
SBTX Adjustment

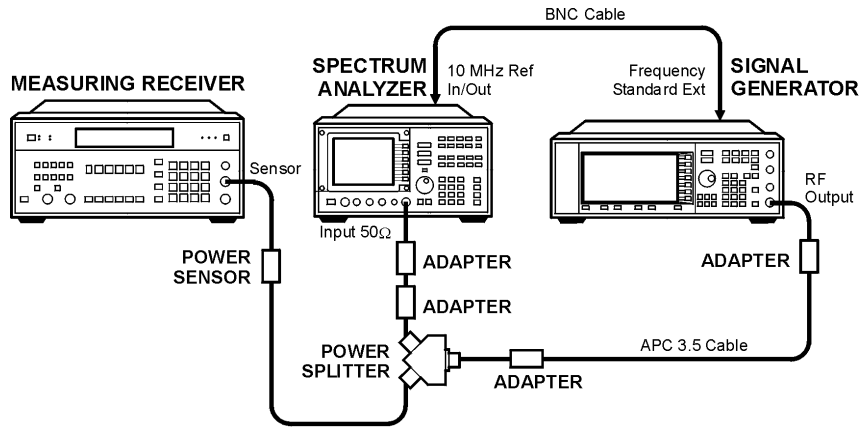
### Description

For frequencies of 250 kHz and greater the output of a source is fed through a power splitter. One output of the power splitter is fed to a power sensor and then to a measuring receiver. The other output of the power splitter is fed to the spectrum analyzer. The source power level is adjusted at 300 MHz to place the displayed signal at the spectrum analyzer center horizontal graticule line. The measuring receiver, used as a power meter, is placed in ratio mode. At each new source frequency and spectrum analyzer center frequency, the source power level is adjusted to place the signal at the center horizontal graticule line. The measuring receiver displays the inverse of the frequency response relative to the calibrator.

For frequencies below 250 kHz the output of a function generator is fed through a power splitter to an ac digital volt meter (ACDVM) and to the spectrum analyzer. At each function generator frequency setting and spectrum analyzer center frequency setting, the function generator power level is adjusted to place the displayed signal at the spectrum analyzer center horizontal graticule line. The ACDVM is used to measure the function generator output signal level in dBm.

Figure 8-23

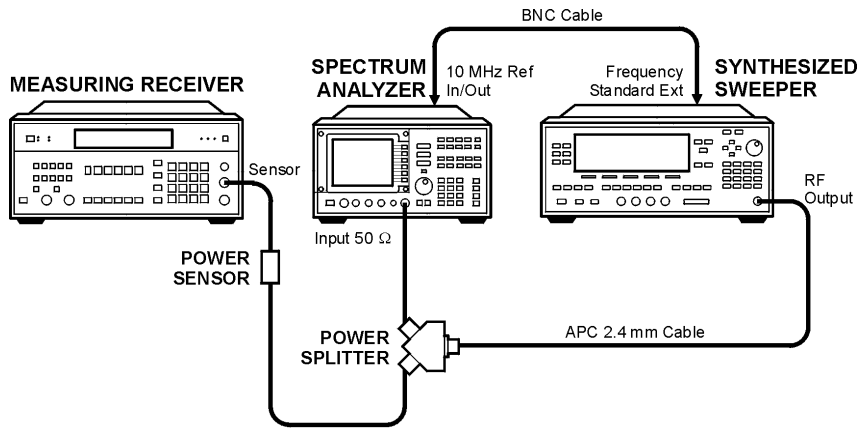
Frequency Response Test Setup, 250 kHz to 2.9 GHz



wj118c

Figure 8-24

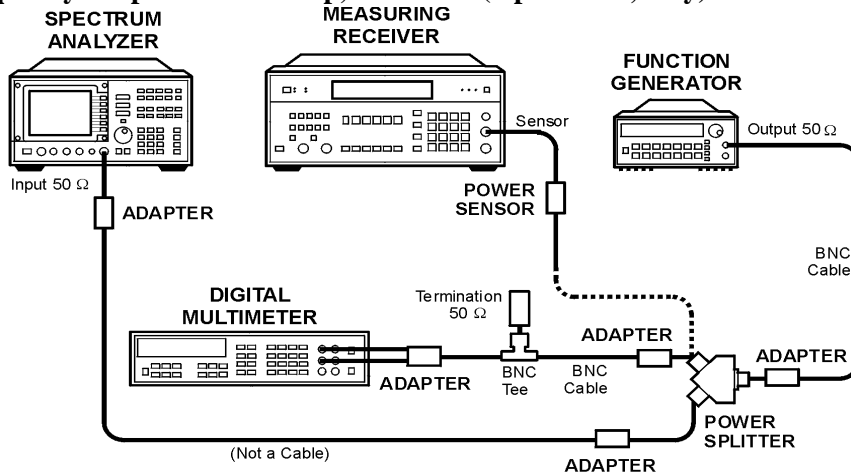
Frequency Response Test Setup, 2.9 MHz to 40 GHz



wj115c

Figure 8-25

Frequency Response Test Setup,  $\leq 250$  kHz (Option 006, only)



wj117c



## Equipment

Measuring receiver . . . . .	Agilent 8902A
Synthesized sweeper . . . . .	Agilent 83640B
Function Generator . . . . .	Agilent 3324A or Agilent 33127A
Signal generator . . . . .	Agilent E4421B
AC Digital Voltmeter . . . . .	Agilent 3458A
Power sensor . . . . .	Agilent 8482A
Power sensor . . . . .	Agilent 8487A
Power splitter . . . . .	Agilent 11667A
Power splitter . . . . .	Agilent 11667C
Coaxial 50 $\Omega$ termination . . . . .	Agilent 908A

## Adapters

Type N (m) to type N (m) . . . . .	1250-1475
Type N (m) to BNC (f) (2 required) . . . . .	1250-1476
Type N (m) to APC 3.5 (f) (2 required) . . . . .	1250-1744
Type N (f) to 2.4 mm (f) . . . . .	Agilent 11903B
BNC (f) to Dual Banana Plug . . . . .	1251-2816
BNC Tee . . . . .	1250-0781

## Cables

BNC, 122 cm (48 in) (2 required) . . . . .	Agilent 10503A
APC-3.5, 91 cm (36 in) . . . . .	8120-4921
APC-2.4, 91 cm (36 in) . . . . .	8120-6164
DVM test leads . . . . .	Agilent 34118A

## Procedure

1. Zero and calibrate the Agilent 8902A and the Agilent 8482A in log mode, as described in the Agilent 8902A Operation Manual. Enter the power sensor 300 MHz calibration factor into the Agilent 8902A.
2. Connect the equipment as shown in [Figure 8-23](#), using the Agilent 11667A power splitter.

**40a. Frequency Response: Agilent 8564E/EC**

3. On the Agilent E4421B, press **INSTR PRESET**. Set the controls as follows:
  - CW frequency . . . . . 300 MHz
  - Frequency increment . . . . . 100 MHz
  - Amplitude . . . . . -4 dBm
4. On the spectrum analyzer, press **PRESET**. Press **RECALL, MORE 1 OF 2**, and **FACTORY PRSEL PK**. Set the controls as follows:
  - Center frequency . . . . . 300 MHz
  - Center frequency step . . . . . 100 MHz
  - Span . . . . . .0 Hz
  - Reference level . . . . . -5 dBm
  - dB/division . . . . . .1 dB
  - Resolution BW . . . . . .30 kHz
5. On the spectrum analyzer, press **MKR**.
6. On the Agilent E4421B, adjust the power level for a MKR amplitude of -10 dBm  $\pm$ 0.05 dB.
7. Press **RATIO** on the Agilent 8902A.

**Frequency Response, Band 0 (250 kHz to 2.9 GHz)**

8. Set the Agilent E4421B frequency to 250 kHz.
9. On the spectrum analyzer, press **FREQUENCY, CENTER FREQ, 250**, and **kHz**.
10. On the Agilent E4421B, adjust the power level for a spectrum analyzer MKR amplitude reading of -10 dBm  $\pm$ 0.05 dB.
11. Enter the 0.3 MHz power sensor calibration factor, indicated in [Table 8-45](#), into the Agilent 8902A.
12. Record the negative of the power ratio displayed on the Agilent 8902A as the Agilent 8902A reading in [Table 8-45](#). Record the power ratio here exactly as it is displayed on the Agilent 8902A:

Agilent 8902A reading at 250 kHz: \_\_\_\_\_ dB

13. Set the Agilent E4421B to 1.0 MHz.
14. On the spectrum analyzer, press **FREQUENCY, CENTER FREQ**, 1.0, and **MHz**.
15. On the Agilent E4421B, adjust the power level for a spectrum analyzer MKR amplitude reading of  $-10 \text{ dBm} \pm 0.05 \text{ dB}$ .
16. Enter the 1.0 MHz power sensor calibration factor, indicated in [Table 8-45](#), into the Agilent 8902A.
17. Record the negative of the power ratio displayed on the Agilent 8902A, as the Agilent 8902A reading in [Table 8-45](#).
18. On the Agilent E4421B, set the frequency to the next value listed in [Table 8-45](#).
19. On the spectrum analyzer, set the center frequency to the next value listed in [Table 8-45](#).
20. On the Agilent E4421B, adjust the power level for a spectrum analyzer MKR amplitude reading of  $-10 \text{ dBm} \pm 0.05 \text{ dB}$ .
21. Enter the power sensor calibration factor, indicated in [Table 8-45](#), into the Agilent 8902A.
22. Record the negative of the power ratio displayed on the Agilent 8902A, as the Agilent 8902A reading in [Table 8-45](#).
23. To step through the remaining frequencies listed in [Table 8-45](#), repeat [step 18](#) through [step 22](#).

---

**NOTE**

---

It will be necessary to enter the last source and spectrum analyzer frequency, 2.9 GHz, manually; the step functions will set the frequency to 2.95 GHz.

### **Frequency Response, Band 1 (2.9 GHz to 6.5 GHz)**

24. If the instrument has warmed up for 30 minutes or more and is in a 20 to 30 °C environment, Preselector Auto Peak is **not** necessary.
25. Connect the equipment as shown in [Figure 8-24](#), using the Agilent 11667C power splitter.
26. Zero and calibrate the Agilent 8902A with the Agilent 8487A. Enter the power sensor 0.3 MHz calibration factor into the Agilent 8902A.
27. On the spectrum analyzer, press **FREQUENCY**, 2.95, and **GHz**.
28. Set the Agilent 83640B frequency to 2.95 GHz.
29. On the spectrum analyzer, press **AUX CTRL, INTERNAL MIXER**, and **PRESEL AUTO PK**. Wait for the **PEAKING** message to disappear.
30. On the Agilent 83640B, adjust the power level for a spectrum analyzer MKR amplitude reading of  $-10 \text{ dBm} \pm 0.05 \text{ dB}$ .
31. Enter the 3.0 GHz power sensor calibration factor, indicated in [Table 8-46](#), into

**40a. Frequency Response: Agilent 8564E/EC**

- the Agilent 8902A.
32. Record the negative of the power ratio displayed on the Agilent 8902A as the Agilent 8902A reading in [Table 8-46](#).
  33. On the Agilent 83640B, set the frequency to the next value listed in [Table 8-46](#).
  34. On the spectrum analyzer, set the center frequency to the next value listed in [Table 8-46](#).
  35. On the Agilent 83640B, adjust the power level for a spectrum analyzer MKR amplitude reading of  $-10 \text{ dBm} \pm 0.05 \text{ dB}$ .
  36. Enter the power sensor calibration factor, indicated in [Table 8-46](#), into the Agilent 8902A.
  37. Record the negative of the power ratio displayed on the Agilent 8902A as the Agilent 8902A reading in [Table 8-46](#).
  38. To step through the remaining frequencies listed in [Table 8-46](#), repeat [step 33](#) through [step 37](#).

**Frequency Response, Band 2 (6.5 GHz to 13.2 GHz)**

39. On the spectrum analyzer, press **FREQUENCY**, 6.5, **GHz**, **CF STEP**, 200, and **MHz**.
40. Set the Agilent 83640B frequency to 6.5 GHz and the **FREQ STEP** to 200 MHz.
41. On the spectrum analyzer, press **AUX CTRL**, **INTERNAL MIXER**, and **PRESEL AUTO PK**. Wait for the **PEAKING** message to disappear.
42. On the Agilent 83640B, adjust the power level for a spectrum analyzer MKR amplitude reading of  $-10 \text{ dBm} \pm 0.05 \text{ dB}$ .
43. Enter the 6.0 GHz power sensor calibration factor, indicated in [Table 8-47](#), into the Agilent 8902A.
44. Record the negative of the power ratio displayed on the Agilent 8902A as the Agilent 8902A reading in [Table 8-47](#).
45. On the Agilent 83640B, set the frequency to the next value listed in [Table 8-47](#).
46. On the spectrum analyzer, set the center frequency to the next value listed in [Table 8-47](#).
47. On the Agilent 83640B, adjust the power level for a spectrum analyzer MKR amplitude reading of  $-10 \text{ dBm} \pm 0.05 \text{ dB}$ .

48. Enter the power sensor calibration factor, indicated in [Table 8-47](#), into the Agilent 8902A.
49. Record the negative of the power ratio displayed on the Agilent 8902A as the HP 8902A reading in [Table 8-47](#).
50. To step through the remaining frequencies listed in [Table 8-47](#), repeat [step 45](#) through [step 49](#).

---

**NOTE**

---

It will be necessary to enter the last source and spectrum analyzer frequency, 13.2 GHz, manually; the step functions will set the frequency to 13.3 GHz.

### **Frequency Response, Band 3 (13.2 GHz to 26.5 GHz)**

51. On the spectrum analyzer, press **FREQUENCY**, 13.25, **GHz**.
52. Set the Agilent 83640B frequency to 13.25 GHz.
53. On the spectrum analyzer, press **AUX CTRL**, **INTERNAL MIXER**, and **PRESEL AUTO PK**. Wait for the **PEAKING** message to disappear.
54. On the Agilent 83640B, adjust the power level for a spectrum analyzer MKR amplitude reading of  $-10 \text{ dBm} \pm 0.05 \text{ dB}$ .
55. Enter the 14.0 GHz power sensor calibration factor, indicated in [Table 8-48](#), into the Agilent 8902A.
56. Record the negative of the power ratio displayed on the Agilent 8902A as the Agilent 8902A reading in [Table 8-48](#).
57. On the Agilent 83640B, set the frequency to the next value listed in [Table 8-48](#).
58. On the spectrum analyzer, set the center frequency to the next value listed in [Table 8-48](#).
59. On the Agilent 83640B, adjust the power level for a spectrum analyzer MKR amplitude reading of  $-10 \text{ dBm} \pm 0.05 \text{ dB}$ .
60. Enter the power sensor calibration factor, indicated in [Table 8-48](#), into the Agilent 8902A.
61. Record the negative of the power ratio displayed on the Agilent 8902A as the Agilent 8902A reading in [Table 8-48](#).
62. To step through the remaining frequencies listed in [Table 8-48](#), repeat [step 57](#) through [step 61](#).

**40a. Frequency Response: Agilent 8564E/EC**

**Frequency Response, Band 4 (26.9 GHz to 31.1 GHz)**

63. On the spectrum analyzer, press **FREQUENCY**, 26.9, **GHz**.
64. Set the Agilent 83640B frequency to 26.9 GHz.
65. On the spectrum analyzer, press **AUX CTRL**, **INTERNAL MIXER**, and **PRESEL AUTO PK**. Wait for the **PEAKING** message to disappear.
66. On the Agilent 83640B, adjust the power level for a spectrum analyzer MKR amplitude reading of  $-10 \text{ dBm} \pm 0.05 \text{ dB}$ .
67. Enter the 27.0 GHz power sensor calibration factor, indicated in [Table 8-49](#), into the Agilent 8902A.
  
68. Record the negative of the power ratio displayed on the Agilent 8902A as the Agilent 8902A reading in [Table 8-49](#).
69. On the Agilent 83640B, set the frequency to the next value listed in [Table 8-49](#).
70. On the spectrum analyzer, set the center frequency to the next value listed in [Table 8-49](#).
71. On the Agilent 83640B, adjust the power level for a spectrum analyzer MKR amplitude reading of  $-10 \text{ dBm} \pm 0.05 \text{ dB}$ .
72. Enter the power sensor calibration factor, indicated in [Table 8-49](#), into the Agilent 8902A.
73. Record the negative of the power ratio displayed on the Agilent 8902A as the Agilent 8902A reading in [Table 8-49](#).
74. To step through the remaining frequencies listed in [Table 8-49](#), repeat [step 69](#) through [step 73](#).

**Frequency Response, Band 5 (31.2 GHz to 40.0 GHz)**

75. On the spectrum analyzer, press **FREQUENCY**, 31.2, **GHz**.
76. Set the Agilent 83640B frequency to 31.2 GHz.
77. On the spectrum analyzer, press **AUX CTRL**, **INTERNAL MIXER**, and **PRESEL AUTO PK**. Wait for the **PEAKING** message to disappear.
78. On the Agilent 83640B, adjust the power level for a spectrum analyzer MKR amplitude reading of  $-10 \text{ dBm} \pm 0.05 \text{ dB}$ .
79. Enter the 31.0 GHz power sensor calibration factor, indicated in [Table 8-50](#), into the Agilent 8902A.

80. Record the negative of the power ratio displayed on the Agilent 8902A as the Agilent 8902A reading in [Table 8-50](#).
81. On the Agilent 83640B, set the frequency to the next value listed in [Table 8-50](#).
82. On the spectrum analyzer, set the center frequency to the next value listed in [Table 8-50](#).
83. On the Agilent 83640B, adjust the power level for a spectrum analyzer MKR amplitude reading of  $-10 \text{ dBm} \pm 0.05 \text{ dB}$ .
84. Enter the power sensor calibration factor, indicated in [Table 8-50](#), into the Agilent 8902A.
85. Record the negative of the power ratio displayed on the Agilent 8902A as the Agilent 8902A reading in [Table 8-50](#).
86. To step through the remaining frequencies listed in [Table 8-50](#), repeat [step 81](#) through [step 85](#).

**Frequency Response ( $\leq 250 \text{ kHz}$ ) (Option 006 Only)**

87. On the spectrum analyzer, set the controls as follows:

Center frequency . . . . . 250 kHz  
Span . . . . . 100 Hz  
Resolution BW . . . . . 10 Hz  
Marker . . . . . off

88. On the Agilent 3324A, set the controls as follows:

Frequency . . . . . 250 kHz  
Amplitude . . . . .  $-4 \text{ dBm}$   
Amplitude increment . . . . .  $0.01 \text{ dB}$

89. On the Agilent 3458A, set the controls as follows:

Function . . . . . Sync AC Volts  
Math . . . . . dBm  
RES Register . . . . .  $50 \Omega$   
Front/Rear Terminal . . . . . Front  
Resolution . . . . . 7.5 digits

**40a. Frequency Response: Agilent 8564E/EC**

90. Connect the equipment as shown in [Figure 8-25](#) with the Agilent 8482A power sensor and Agilent 8902A connected to the Agilent 11667A power splitter.
91. Enter the power sensor calibration factor for 0.1 MHz into the Agilent 8902A.
92. Zero and calibrate the sensor.
93. Adjust the Agilent 3324A amplitude until the Agilent 8902A display reads the same value as recorded in [step 12](#).
94. Disconnect the Agilent 8482A power sensor from the power splitter and connect the Agilent 3458A.
95. Record the Agilent 3458A reading here and in [Table 8-51](#):

Agilent 3458A reading at 250 kHz: \_\_\_\_\_ dBm

96. On the spectrum analyzer, press **PEAK SEARCH** and **MARKER DELTA**.
97. Set the spectrum analyzer CENTER FREQ and the Agilent 3324A frequency to the next frequency listed in [Table 8-51](#).
98. Press **PEAK SEARCH** on the spectrum analyzer.
99. Adjust the Agilent 3324A amplitude for a  $\Delta$  MKR amplitude reading of 0.00 dBm  $\pm$ 0.05 dB.
100. Record the Agilent 3458A amplitude readings in [Table 8-51](#) as the ACDMV amplitude.
101. To step through the remaining frequencies listed in [Table 8-51](#), repeat [step 97](#) through [step 100](#).
102. For each of the frequencies listed in [Table 8-51](#), subtract the “ACDVM amplitude” reading from the ACDVM reading at 250 kHz recorded in [step 95](#). Record the results as the “response relative to 250 kHz” in [Table 8-51](#).
103. Add to each of the “response relative to 250 kHz” entries in [Table 8-51](#) the “Agilent 8902A reading” for 250 kHz listed in [Table 8-45](#). Record the results as the response relative to 300 MHz in [Table 8-51](#).



### Test Results

#### 104. Frequency Response, Band 0 – 250 kHz to 2.9 GHz.

- a. Enter the most positive number from [Table 8-51](#), column 4. \_\_\_\_\_ dB
- b. Enter the most positive number from [Table 8-45](#), column 2. \_\_\_\_\_ dB
- c. Of (a) and (b), enter whichever number is *more* positive. \_\_\_\_\_ dB
- d. Enter the most negative number from [Table 8-51](#), column 4. \_\_\_\_\_ dB
- e. Enter the most negative number from [Table 8-45](#), column 2. \_\_\_\_\_ dB
- f. Of (d) and (e), enter whichever number is *more* negative. \_\_\_\_\_ dB
- g. Subtract (f) from (c). \_\_\_\_\_ dB

#### 105. Frequency Response, Band 1 – 2.9 GHz to 6.5 GHz.

- a. Enter the most positive number from [Table 8-46](#), column 2. \_\_\_\_\_ dB
- b. Enter the most negative number from [Table 8-46](#), column 2. \_\_\_\_\_ dB
- c. Subtract (b) from (a). \_\_\_\_\_ dB

#### 106. Frequency Response, Band 2 – 6.5 GHz to 13.2 GHz.

- a. Enter the most positive number from [Table 8-47](#), column 2. \_\_\_\_\_ dB
- b. Enter the most negative number from [Table 8-47](#), column 2. \_\_\_\_\_ dB
- c. Subtract (b) from (a). \_\_\_\_\_ dB

**40a. Frequency Response: Agilent 8564E/EC**

107. Frequency Response, Band 3 – 13.2 GHz to 20.2 GHz

- a. Enter the most positive number from [Table 8-48](#), column 2 \_\_\_\_\_ dB  
for center frequencies less than or equal to 22 GHz.
- b. Enter the most negative number from [Table 8-48](#), column 2 \_\_\_\_\_ dB  
for center frequencies less than or equal to 22 GHz.
- c. Subtract (b) from (a). \_\_\_\_\_ dB

108. Frequency Response, Band 3 – 22 GHz to 26.8 GHz

- a. Enter the most positive number from [Table 8-48](#), column 2 \_\_\_\_\_ dB  
for center frequencies greater than 22 GHz.
- b. Enter the most negative number from [Table 8-48](#), column 2 \_\_\_\_\_ dB  
for center frequencies greater than 22 GHz.
- c. Subtract (b) from (a). \_\_\_\_\_ dB

109. Frequency Response, Band 3 – 13.2 GHz to 26.8 GHz

- 110.a. Enter the most positive number from [step 107](#) (a) and [step 108](#) (a). \_\_\_\_\_ dB
- 111.b. Enter the most negative number from [step 107](#) (b) and [step 108](#) (b). \_\_\_\_\_ dB

112. Frequency Response, Band 4 – 26.9 GHz to 31.1 GHz.

- a. Enter the most positive number from [Table 8-49](#), column 2. \_\_\_\_\_ dB
- b. Enter the most negative number from [Table 8-49](#), column 2. \_\_\_\_\_ dB
- c. Subtract (b) from (a). \_\_\_\_\_ dB

113. Frequency Response, Band 5 – 31.2 GHz to 40 GHz.

- a. Enter the most positive number from [Table 8-50](#), column 2. \_\_\_\_\_ dB
- b. Enter the most negative number from [Table 8-50](#), column 2. \_\_\_\_\_ dB
- c. Subtract (b) from (a). \_\_\_\_\_ dB

### Frequency Response, Band 0, 100 MHz to 2.0 GHz

114. This step applies only to spectrum analyzers with serial number prefix 3641A or later. Enter the results of the frequency response, Band 0, for the frequency range 100 MHz to 2.0 GHz:

- a. Enter the most positive number from [Table 8-45](#), column \_\_\_\_\_ dB  
2, for center frequencies between 100 MHz and  
2.0 GHz.
- b. Enter the most negative number from [Table 8-45](#), column \_\_\_\_\_ dB  
2, for center frequencies between 100 MHz and  
2.0 GHz.
- c. Subtract (b) from (a). \_\_\_\_\_ dB

### Band Switching Uncertainty

- 115. In the top row of [Table 8-52](#), enter the values recorded in the indicated steps. For example, if [step 107](#) (a) has a value of 1.22 dB, enter “1.22 dB” in the top row of the Band 3 column.
- 116. In the left column of [Table 8-52](#), enter the values recorded in the indicated steps. For example, if [step 106](#) (b) has a value of -0.95 dB, enter “-0.95 dB” in the left column of the Band 2 row.
- 117. Compute the other entries in [Table 8-52](#) by taking the absolute value of the difference between the values in the left column and the top row.

**40a. Frequency Response: Agilent 8564E/EC****Table 8-45****Frequency Response, Band 0 (250 kHz to 2.9 GHz)**

<b>Source Frequency  (MHz)</b>	<b>Agilent 8902A Reading  (dB)</b>	<b>Pwr Sensor Cal Factor Frequency  (MHz)</b>	<b>Measurement Uncertainty  (dB)</b>
0.250		0.01	+0.32/-0.34
1		1	+0.32/-0.34
10		10	+0.32/-0.34
20		10	+0.32/-0.34
50		30	+0.32/-0.34
90		100	+0.32/-0.34
150		100	+0.32/-0.34
250		300	+0.32/-0.34
350		300	+0.32/-0.34
450		300	+0.32/-0.34
550		300	+0.32/-0.34
650		1000	+0.32/-0.34
750		1000	+0.32/-0.34
850		1000	+0.32/-0.34
950		1000	+0.32/-0.34
1050		1000	+0.32/-0.34
1150		1000	+0.32/-0.34
1250		1000	+0.32/-0.34
1350		1000	+0.32/-0.34
1450		1000	+0.32/-0.34
1550		2000	+0.32/-0.34
1650		2000	+0.32/-0.34
1750		2000	+0.32/-0.34
1850		2000	+0.32/-0.34
1950		2000	+0.32/-0.34
2050		2000	+0.32/-0.34
2150		2000	+0.32/-0.34
2250		2000	+0.32/-0.34
2350		2000	+0.32/-0.34
2450		2000	+0.32/-0.34
2550		3000	+0.32/-0.34
2650		3000	+0.32/-0.34
2750		3000	+0.32/-0.34
2850		3000	+0.32/-0.34
2900		3000	+0.32/-0.34

**Table 8-46**      **Frequency Response, Band 1 (2.9 GHz to 6.5 GHz)**

Source Frequency (GHz)	Agilent 8902A Reading (dB)	Pwr Sensor Cal Factor Frequency (GHz)	Measurement Uncertainty (dB)
2.95		3.0	+0.44/-0.49
3.05		3.0	+0.44/-0.49
3.15		3.0	+0.44/-0.49
3.25		3.0	+0.44/-0.49
3.35		3.0	+0.44/-0.49
3.45		3.0	+0.44/-0.49
3.55		4.0	+0.44/-0.49
3.65		4.0	+0.44/-0.49
3.75		4.0	+0.44/-0.49
3.85		4.0	+0.44/-0.49
3.95		4.0	+0.44/-0.49
4.05		4.0	+0.44/-0.49
4.15		4.0	+0.44/-0.49
4.25		4.0	+0.44/-0.49
4.35		4.0	+0.44/-0.49
4.45		4.0	+0.44/-0.49
4.55		5.0	+0.44/-0.49
4.65		5.0	+0.44/-0.49
4.75		5.0	+0.44/-0.49
4.85		5.0	+0.44/-0.49
4.95		5.0	+0.44/-0.49
5.05		5.0	+0.44/-0.49
5.15		5.0	+0.44/-0.49
5.25		5.0	+0.44/-0.49
5.35		5.0	+0.44/-0.49
5.45		5.0	+0.44/-0.49
5.55		6.0	+0.44/-0.49
5.65		6.0	+0.44/-0.49
5.75		6.0	+0.44/-0.49
5.85		6.0	+0.44/-0.49
5.95		6.0	+0.44/-0.49
6.05		6.0	+0.44/-0.49
6.15		6.0	+0.44/-0.49
6.25		6.0	+0.44/-0.49
6.35		6.0	+0.44/-0.49
6.45		6.0	+0.44/-0.49

## 40a. Frequency Response: Agilent 8564E/EC

Table 8-47

## Frequency Response, Band 2 (6.5 GHz to 13.2 GHz)

Source Frequency (GHz)	Agilent 8902A Reading (dB)	Pwr Sensor Cal Factor Frequency (GHz)	Measurement Uncertainty (dB)
6.5		6.0	+0.45/-0.50 dB
6.7		7.0	+0.45/-0.50 dB
6.9		7.0	+0.45/-0.50 dB
7.1		7.0	+0.45/-0.50 dB
7.3		7.0	+0.45/-0.50 dB
7.5		7.0	+0.45/-0.50 dB
7.7		8.0	+0.45/-0.50 dB
7.9		8.0	+0.45/-0.50 dB
8.1		8.0	+0.45/-0.50 dB
8.3		8.0	+0.45/-0.50 dB
8.5		8.0	+0.45/-0.50 dB
8.7		9.0	+0.45/-0.50 dB
8.9		9.0	+0.45/-0.50 dB
9.1		9.0	+0.45/-0.50 dB
9.3		9.0	+0.45/-0.50 dB
9.5		9.0	+0.45/-0.50 dB
9.7		10.0	+0.45/-0.50 dB
9.9		10.0	+0.45/-0.50 dB
10.1		10.0	+0.45/-0.50 dB
10.3		10.0	+0.45/-0.50 dB
10.5		10.0	+0.45/-0.50 dB
10.7		11.0	+0.45/-0.50 dB
10.9		11.0	+0.45/-0.50 dB
11.1		11.0	+0.45/-0.50 dB
11.3		11.0	+0.45/-0.50 dB
11.5		11.0	+0.45/-0.50 dB
11.7		12.0	+0.45/-0.50 dB
11.9		12.0	+0.45/-0.50 dB
12.1		12.0	+0.45/-0.50 dB
12.3		12.0	+0.45/-0.50 dB
12.5		12.0	+0.45/-0.50 dB
12.7		13.0	+0.45/-0.50 dB
12.9		13.0	+0.45/-0.50 dB
13.1		13.0	+0.45/-0.50 dB
13.2		13.0	+0.45/-0.50 dB

**Table 8-48**

**Frequency Response, Band 3(13.2 GHz to 26.8 GHz)**

<b>Source Frequency (GHz)</b>	<b>Agilent 8902A Reading (dB)</b>	<b>Pwr Sensor Cal Factor Frequency (GHz)</b>	<b>Measurement Uncertainty (dB)</b>
13.25		14.0	+0.53/-0.60
13.4		14.0	+0.53/-0.60
13.6		14.0	+0.53/-0.60
13.8		14.0	+0.53/-0.60
14.0		14.0	+0.53/-0.60
14.2		14.0	+0.53/-0.60
14.4		14.0	+0.53/-0.60
14.6		14.0	+0.53/-0.60
14.8		14.0	+0.53/-0.60
15.0		14.0	+0.53/-0.60
15.2		16.0	+0.53/-0.60
15.4		16.0	+0.53/-0.60
15.6		16.0	+0.53/-0.60
15.8		16.0	+0.53/-0.60
16.0		16.0	+0.53/-0.60
16.2		16.0	+0.53/-0.60
16.4		16.0	+0.53/-0.60
16.6		16.0	+0.53/-0.60
16.8		16.0	+0.53/-0.60
17.0		16.0	+0.53/-0.60
17.2		18.0	+0.53/-0.60
17.4		18.0	+0.53/-0.60
17.6		18.0	+0.53/-0.60
17.8		18.0	+0.53/-0.60
18.0		18.0	+0.53/-0.60
18.2		18.0	+0.53/-0.60
18.4		18.0	+0.53/-0.60
18.6		18.0	+0.53/-0.60
18.8		18.0	+0.53/-0.60
19.0		18.0	+0.53/-0.60
19.2		20.0	+0.53/-0.60
19.4		20.0	+0.53/-0.60
19.6		20.0	+0.53/-0.60
19.8		20.0	+0.53/-0.60
20.0		20.0	+0.53/-0.60
20.2		20.0	+0.53/-0.60

## 40a. Frequency Response: Agilent 8564E/EC

Table 8-48

## Frequency Response, Band 3(13.2 GHz to 26.8 GHz) (Continued)

Source Frequency (GHz)	Agilent 8902A Reading (dB)	Pwr Sensor Cal Factor Frequency (GHz)	Measurement Uncertainty (dB)
20.4		20.0	+0.53/-0.60
20.6		20.0	+0.53/-0.60
20.8		20.0	+0.53/-0.60
21.0		20.0	+0.53/-0.60
21.2		21.0	+0.53/-0.60
21.4		21.0	+0.53/-0.60
21.6		21.0	+0.53/-0.60
21.8		21.0	+0.53/-0.60
22.0		22.0	+0.53/-0.60
22.2		22.0	+0.53/-0.60
22.4		22.0	+0.53/-0.60
22.6		22.0	+0.53/-0.60
22.8		22.0	+0.53/-0.60
23.0		22.0	+0.53/-0.60
23.2		24.0	+0.53/-0.60
23.4		24.0	+0.53/-0.60
23.6		24.0	+0.53/-0.60
23.8		24.0	+0.53/-0.60
24.0		24.0	+0.53/-0.60
24.2		24.0	+0.53/-0.60
24.4		24.0	+0.53/-0.60
24.6		24.0	+0.53/-0.60
24.8		24.0	+0.53/-0.60
25.0		24.0	+0.53/-0.60
25.2		26.0	+0.53/-0.60
25.4		26.0	+0.53/-0.60
25.6		26.0	+0.53/-0.60
25.8		26.0	+0.53/-0.60
26.0		26.0	+0.53/-0.60
26.2		26.0	+0.53/-0.60
26.4		26.5	+0.53/-0.60
26.6		26.5	+0.53/-0.60
26.8		27.0	+0.53/-0.60



**Table 8-49**      **Frequency Response, Band 4 (26.9 GHz to 31.1 GHz)**

<b>Source Frequency (GHz)</b>	<b>Agilent 8902 A Reading (dB)</b>	<b>Pwr Sensor Cal Factor Frequency (GHz)</b>	<b>Measurement Uncertainty (dB)</b>
26.9		27.0	+0.74/-0.89
27.2		27.0	+0.74/-0.89
27.5		28.0	+0.74/-0.89
27.8		28.0	+0.74/-0.89
28.1		28.0	+0.74/-0.89
28.4		28.0	+0.74/-0.89
28.7		29.0	+0.74/-0.89
29.0		29.0	+0.74/-0.89
29.3		29.0	+0.74/-0.89
29.6		30.0	+0.74/-0.89
29.9		30.0	+0.74/-0.89
30.2		30.0	+0.74/-0.89
30.5		31.0	+0.74/-0.89
30.8		31.0	+0.74/-0.89
31.1		31.0	+0.74/-0.89

**40a. Frequency Response: Agilent 8564E/EC****Table 8-50****Frequency Response, Band 5 (31.2 GHz to 40.0 GHz)**

<b>Source Frequency  (GHz)</b>	<b>Agilent 8902A Reading  (dB)</b>	<b>Pwr Sensor Cal Factor Frequency  (GHz)</b>	<b>Measurement Uncertainty  (dB)</b>
31.2		31.0	+0.74/-0.89
31.6		32.0	+0.74/-0.89
32.0		32.0	+0.74/-0.89
32.4		32.0	+0.74/-0.89
32.8		33.0	+0.74/-0.89
33.2		33.0	+0.74/-0.89
33.6		34.0	+0.74/-0.89
34.0		34.0	+0.74/-0.89
34.4		34.0	+0.74/-0.89
34.8		35.0	+0.74/-0.89
35.2		35.0	+0.74/-0.89
35.6		36.0	+0.74/-0.89
36.0		36.0	+0.74/-0.89
36.4		36.0	+0.74/-0.89
36.8		37.0	+0.74/-0.89
37.2		37.0	+0.74/-0.89
37.6		38.0	+0.74/-0.89
38.0		38.0	+0.74/-0.89
38.4		38.0	+0.74/-0.89
38.8		39.0	+0.74/-0.89
39.2		39.0	+0.74/-0.89
39.6		40.0	+0.74/-0.89
40.0		40.0	+0.74/-0.89

**Table 8-51**                      **Frequency Response (<250 kHz) (Option 006 Only)**

<b>Function Generator Frequency</b>	<b>ACDVM Amplitude (dBm)</b>	<b>Response Relative to 250 kHz</b>	<b>Response Relative to 300 MHz</b>	<b>Measurement Uncertainty (dB)</b>
250 kHz		0 (Ref)		±0.23
100 kHz				±0.23
10 kHz				±0.23
1 kHz				±0.23
500 Hz				±0.23
200 Hz				±0.23

**Table 8-52 Band Switching Uncertainty**

	<b>Band 0 Step 104c</b>	<b>Band 1 Step 105a</b>	<b>Band 2 Step 106a</b>	<b>Band 3 &lt;22 GHz Step 107a</b>	<b>Band 3 &gt;22 GHz Step 108a</b>	<b>Band 4 Step 112a</b>	<b>Band 5 Step 113a</b>
<b>Band 0 Step 104f</b>	N/A						
<b>Band 1 Step 105b</b>		N/A					
<b>Band 2 Step 106b</b>			N/A				
<b>Band 3 &lt;22 GHz Step 107b</b>				N/A			
<b>Band 3 &gt;22 GHz Step 108b</b>					N/A		
<b>Band 4 Step 112b</b>						N/A	
<b>Band 5 Step 113b</b>							N/A

## 41a. Frequency Response: Agilent 8565E/EC

### Instrument Under Test

Agilent 8565E/EC

### Related Specification

Relative Frequency Response  
Absolute Frequency Response  
Band Switching Uncertainty

### Related Adjustment

RYTHM Adjustment  
Frequency Response Adjustment  
LO Distribution Amplifier Adjustment  
SBTX Adjustment

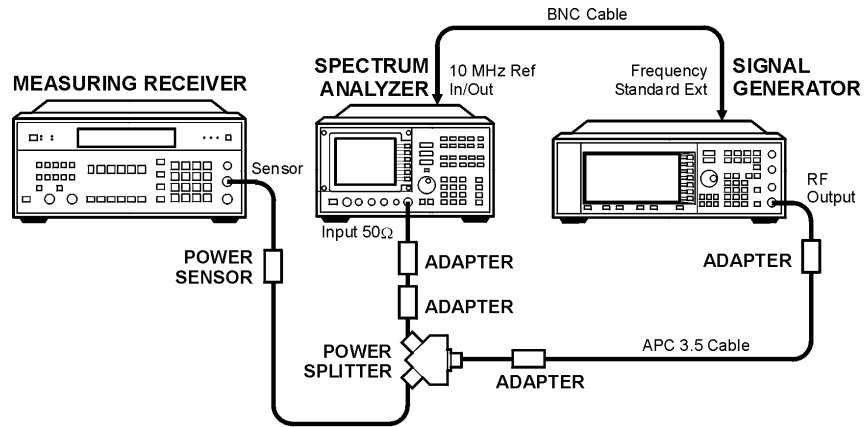
### Description

For frequencies of 250 kHz and greater the output of a source is fed through a power splitter. One output of the power splitter is fed to a power sensor and then to a measuring receiver. The other output of the power splitter is fed to the spectrum analyzer. The source power level is adjusted at 300 MHz to place the displayed signal at the spectrum analyzer center horizontal graticule line. The measuring receiver, used as a power meter, is placed in ratio mode. At each new source frequency and spectrum analyzer center frequency, the source power level is adjusted to place the signal at the center horizontal graticule line. The measuring receiver displays the inverse of the frequency response relative to the calibrator.

For frequencies below 250 kHz the output of a function generator is fed through a power splitter to an ac digital volt meter (ACDVM) and to the spectrum analyzer. At each function generator frequency setting and spectrum analyzer center frequency setting, the function generator power level is adjusted to place the displayed signal at the spectrum analyzer center horizontal graticule line. The ACDVM is used to measure the function generator output signal level in dBm.

Figure 8-26

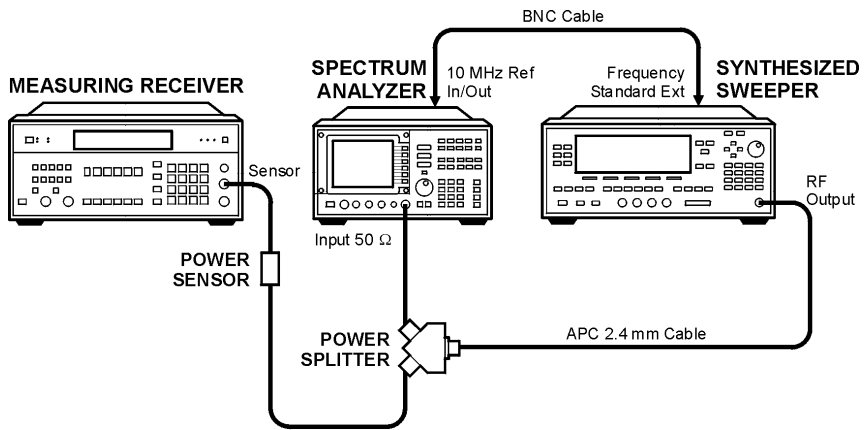
Frequency Response Test Setup, 250 kHz to 2.9 GHz



wj118c

Figure 8-27

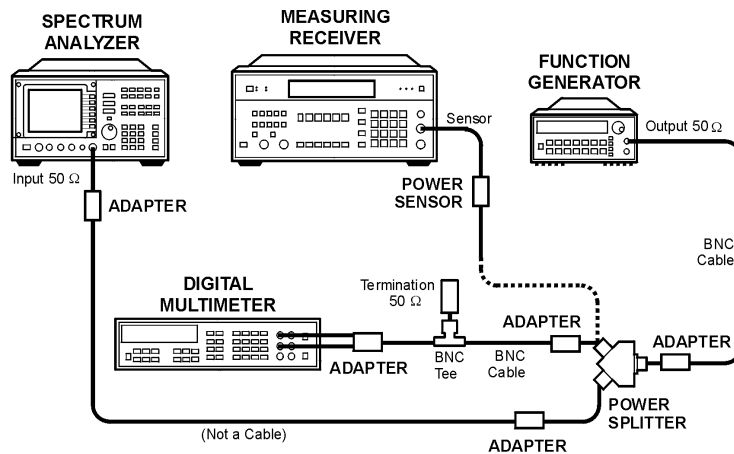
Frequency Response Test Setup, 2.9 MHz to 50 GHz



wj115c

Figure 8-28

Frequency Response Test Setup,  $\leq 250$  kHz (Option 006, only)



wj117c

## Equipment

Measuring receiver . . . . .	Agilent 8902A
Synthesized sweeper . . . . .	Agilent 83650B
Function Generator . . . . .	Agilent 3324A or Agilent 33127A
Signal generator . . . . .	Agilent E4421B
AC Digital Voltmeter . . . . .	Agilent 3458A
Power sensor . . . . .	Agilent 8482A
Power sensor . . . . .	Agilent 8487A
Power splitter . . . . .	Agilent 11667A
Power splitter . . . . .	Agilent 11667C
Coaxial 50 $\Omega$ termination . . . . .	Agilent 908A

## Adapters

Type N (m) to type N (m) . . . . .	1250-1475
Type N (m) to BNC (f) (2 required) . . . . .	1250-1476
Type N (m) to APC 3.5 (f) (2 required) . . . . .	1250-1744
Type N (f) to 2.4 mm (f) . . . . .	Agilent 11903B
BNC (f) to Dual Banana Plug . . . . .	1251-2816
BNC Tee . . . . .	1250-0781

## Cables

BNC, 122 cm (48 in) (2 required). . . . .	Agilent 10503A
APC-3.5, 91 cm (36 in) . . . . .	8120-4921
2.4 mm, 91 cm (36 in) . . . . .	8120-6164
DVM test leads . . . . .	Agilent 34118A

## Procedure

1. Zero and calibrate the Agilent 8902A and the Agilent 8482A in log mode, as described in the Agilent 8902A Operation Manual. Enter the power sensor 300 MHz calibration factor into the Agilent 8902A.
2. Connect the equipment as shown in [Figure 8-26](#), using the Agilent 11667A power splitter.

**41a. Frequency Response: Agilent 8565E/EC**

3. On the Agilent E4421B, press **INSTR PRESET**. Set the controls as follows:
  - CW frequency . . . . . 300 MHz
  - Frequency increment . . . . . 100 MHz
  - Amplitude . . . . . -4 dBm
4. On the spectrum analyzer, press **PRESET**. Press **RECALL, MORE 1 OF 2**, and **FACTORY PRSEL PK**. Set the controls as follows:
  - Center frequency . . . . . 300 MHz
  - Center frequency step . . . . . 100 MHz
  - Span . . . . . 0 Hz
  - Reference level . . . . . -5 dBm
  - dB/division . . . . . 1 dB
  - Resolution BW . . . . . 30 kHz
5. On the spectrum analyzer, press **MKR**.
6. On the Agilent E4421B, adjust the power level for a MKR amplitude of -10 dBm  $\pm$ 0.05 dB.
7. Press **RATIO** on the Agilent 8902A.

**Frequency Response, Band 0 (250 kHz to 2.9 GHz)**

8. Set the Agilent E4421B frequency to 250 kHz.
9. On the spectrum analyzer, press **FREQUENCY, CENTER FREQ, 250**, and **kHz**.
10. On the Agilent E4421B, adjust the power level for a spectrum analyzer MKR amplitude reading of -10 dBm  $\pm$ 0.05 dB.
11. Enter the 0.3 MHz power sensor calibration factor, indicated in [Table 8-53](#), into the Agilent 8902A.
12. Record the negative of the power ratio displayed on the Agilent 8902A as the Agilent 8902A reading in [Table 8-53](#). Record the power ratio here exactly as it is displayed on the Agilent 8902A:

Agilent 8902A reading at 250 kHz: \_\_\_\_\_ dB

13. Set the Agilent E4421B to 1.0 MHz.
14. On the spectrum analyzer, press **FREQUENCY, CENTER FREQ, 1.0**, and **MHz**.
15. On the Agilent E4421B, adjust the power level for a spectrum analyzer MKR amplitude reading of -10 dBm  $\pm$ 0.05 dB.



16. Enter the 1.0 MHz power sensor calibration factor, indicated in [Table 8-53](#), into the Agilent 8902A.
17. Record the negative of the power ratio displayed on the Agilent 8902A, as the Agilent 8902A reading in [Table 8-53](#).
18. On the Agilent E4421B, set the frequency to the next value listed in [Table 8-53](#).
19. On the spectrum analyzer, set the center frequency to the next value listed in [Table 8-53](#).
20. On the Agilent E4421B, adjust the power level for a spectrum analyzer MKR amplitude reading of  $-10 \text{ dBm} \pm 0.05 \text{ dB}$ .
21. Enter the power sensor calibration factor, indicated in [Table 8-53](#), into the Agilent 8902A.
22. Record the negative of the power ratio displayed on the Agilent 8902A, as the Agilent 8902A reading in [Table 8-53](#).
23. To step through the remaining frequencies listed in [Table 8-53](#), repeat [step 18](#) through [step 22](#).

---

**NOTE**

---

It will be necessary to enter the last source and spectrum analyzer frequency, 2.9 GHz, manually; the step functions will set the frequency to 2.95 GHz.

### Frequency Response, Band 1 (2.9 GHz to 6.5 GHz)

24. If the instrument has warmed up for 30 minutes or more and is in a 20 to 30 °C environment, Preselector Auto Peak is **not** necessary.
25. Connect the equipment as shown in [Figure 8-27](#), using the Agilent 11667C power splitter.
26. Zero and calibrate the Agilent 8902A with the Agilent 8487A.
27. On the spectrum analyzer, press **FREQUENCY**, 2.95, and **GHz**.
28. Set the Agilent 83650B frequency to 2.95 GHz.
29. On the spectrum analyzer, press **AUX CTRL**, **INTERNAL MIXER**, and **PRESEL AUTO PK**. Wait for the **PEAKING** message to disappear.
30. On the Agilent 83650B, adjust the power level for a spectrum analyzer MKR amplitude reading of  $-10 \text{ dBm} \pm 0.05 \text{ dB}$ .
31. Enter the 2.0 GHz power sensor calibration factor, indicated in [Table 8-54](#), into the Agilent 8902A.
32. Record the negative of the power ratio displayed on the Agilent 8902A as the Agilent 8902A reading in [Table 8-54](#).

**41a. Frequency Response: Agilent 8565E/EC**

33. On the Agilent 83650B, set the frequency to the next value listed in [Table 8-54](#).
34. On the spectrum analyzer, set the center frequency to the next value listed in [Table 8-54](#).
35. On the Agilent 83650B, adjust the power level for a spectrum analyzer MKR amplitude reading of  $-10 \text{ dBm} \pm 0.05 \text{ dB}$ .
36. Enter the power sensor calibration factor, indicated in [Table 8-54](#), into the Agilent 8902A.
37. Record the negative of the power ratio displayed on the Agilent 8902A as the Agilent 8902A reading in [Table 8-54](#).
38. To step through the remaining frequencies listed in [Table 8-54](#), repeat [step 33](#) through [step 37](#).

**Frequency Response, Band 2 (6.5 GHz to 13.2 GHz)**

39. On the spectrum analyzer, press **FREQUENCY**, **6.5**, **GHz**, **CF STEP**, **200**, and **MHz**.
40. Set the Agilent 83650B frequency to 6.5 GHz and the **FREQ STEP** to 200 MHz.
41. On the spectrum analyzer, press **AUX CTRL**, **INTERNAL MIXER**, and **PRESEL AUTO PK**. Wait for the **PEAKING** message to disappear.
42. On the Agilent 83650B, adjust the power level for a spectrum analyzer MKR amplitude reading of  $-10 \text{ dBm} \pm 0.05 \text{ dB}$ .
43. Enter the 6.0 GHz power sensor calibration factor, indicated in [Table 8-55](#), into the Agilent 8902A.
44. Record the negative of the power ratio displayed on the Agilent 8902A as the Agilent 8902A reading in [Table 8-55](#).
45. On the Agilent 83650B, to set the frequency to the next value listed in [Table 8-55](#).
46. On the spectrum analyzer, set the center frequency to the next value listed in [Table 8-55](#).
47. On the Agilent 83650B, adjust the power level for a spectrum analyzer MKR amplitude reading of  $-10 \text{ dBm} \pm 0.05 \text{ dB}$ .
48. Enter the power sensor calibration factor, indicated in [Table 8-55](#), into the Agilent 8902A.
49. Record the negative of the power ratio displayed on the Agilent 8902A as the Agilent 8902A reading in [Table 8-55](#).
50. To step through the remaining frequencies listed in [Table 8-55](#), repeat [step 45](#) through [step 49](#).

---

**NOTE**

---

It will be necessary to enter the last source and spectrum analyzer frequency, 13.2 GHz, manually; the step functions will set the frequency to 13.3 GHz.

**Frequency Response, Band 3 (13.2 GHz to 26.8 GHz)**

51. On the spectrum analyzer, press **FREQUENCY**, 13.25, **GHz**.
52. Set the Agilent 83650B frequency to 13.25 GHz.
53. On the spectrum analyzer, press **AUX CTRL**, **INTERNAL MIXER**, and **PRESEL AUTO PK**. Wait for the **PEAKING** message to disappear.
54. On the Agilent 83650B, adjust the power level for a spectrum analyzer MKR amplitude reading of  $-10 \text{ dBm} \pm 0.05 \text{ dB}$ .
55. Enter the 13.0 GHz power sensor calibration factor, indicated in [Table 8-56](#), into the Agilent 8902A.
56. Record the negative of the power ratio displayed on the Agilent 8902A as the Agilent 8902A reading in [Table 8-56](#).
57. On the Agilent 83650B, set the frequency to the next value listed in [Table 8-56](#).
58. On the spectrum analyzer, set the center frequency to the next value listed in [Table 8-56](#).
59. On the Agilent 83650B, adjust the power level for a spectrum analyzer MKR amplitude reading of  $-10 \text{ dBm} \pm 0.05 \text{ dB}$ .
60. Enter the power sensor calibration factor, indicated in [Table 8-56](#), into the Agilent 8902A.
61. Record the negative of the power ratio displayed on the Agilent 8902A as the Agilent 8902A reading in [Table 8-56](#).
62. To step through the remaining frequencies listed in [Table 8-56](#), repeat [step 57](#) through [step 61](#).

**41a. Frequency Response: Agilent 8565E/EC**

**Frequency Response, Band 4 (26.9 GHz to 31.1 GHz)**

63. On the spectrum analyzer, press **FREQUENCY**, 26.9, **GHz**.
64. Set the Agilent 83650B frequency to 26.9 GHz.
65. On the spectrum analyzer, press **AUX CTRL**, **INTERNAL MIXER**, and **PRESEL AUTO PK**. Wait for the **PEAKING** message to disappear.
66. On the Agilent 83650B, adjust the power level for a spectrum analyzer MKR amplitude reading of  $-10 \text{ dBm} \pm 0.05 \text{ dB}$ .
  
67. Enter the 27.0 GHz power sensor calibration factor, indicated in [Table 8-57](#), into the Agilent 8902A.
68. Record the negative of the power ratio displayed on the Agilent 8902A as the Agilent 8902A reading in [Table 8-57](#).
69. On the Agilent 83650B, set the frequency to the next value listed in [Table 8-57](#).
70. On the spectrum analyzer, set the center frequency to the next value listed in [Table 8-57](#).
71. On the Agilent 83650B, adjust the power level for a spectrum analyzer MKR amplitude reading of  $-10 \text{ dBm} \pm 0.05 \text{ dB}$ .
72. Enter the power sensor calibration factor, indicated in [Table 8-57](#), into the Agilent 8902A.
73. Record the negative of the power ratio displayed on the Agilent 8902A as the Agilent 8902A reading in [Table 8-57](#).
74. To step through the remaining frequencies listed in [Table 8-57](#), repeat [step 69](#) through [step 73](#).

**Frequency Response, Band 5 (31.2 GHz to 50.0 GHz)**

75. On the spectrum analyzer, press **FREQUENCY**, 31.2, **GHz**.
76. Set the Agilent 83650B frequency to 31.2 GHz.
77. On the spectrum analyzer, press **AUX CTRL**, **INTERNAL MIXER**, and **PRESEL AUTO PK**. Wait for the **PEAKING** message to disappear.
78. On the Agilent 83650B, adjust the power level for a spectrum analyzer MKR amplitude reading of  $-10 \text{ dBm} \pm 0.05 \text{ dB}$ .
79. Enter the 31.0 GHz power sensor calibration factor, indicated in [Table 8-57](#), into the Agilent 8902A.

80. Record the negative of the power ratio displayed on the Agilent 8902A as the Agilent 8902A reading in [Table 8-27](#).
81. On the Agilent 83650B, set the frequency to the next value listed in [Table 8-23](#).
82. On the spectrum analyzer, set the center frequency to the next value listed in [Table 8-23](#).
83. On the Agilent 83650B, adjust the power level for a spectrum analyzer MKR amplitude reading of  $-10 \text{ dBm} \pm 0.05 \text{ dB}$ .
84. Enter the power sensor calibration factor, indicated in [Table 8-23](#), into the Agilent 8902A.
85. Record the negative of the power ratio displayed on the Agilent 8902A as the Agilent 8902A reading in [Table 8-27](#).
86. To step through the remaining frequencies listed in [Table 8-27](#), repeat [step 81](#) through [step 85](#).

**Frequency Response ( $\leq 250 \text{ kHz}$ ) (Option 006 Only)**

87. On the spectrum analyzer, set the controls as follows:

Center frequency . . . . . 250 kHz  
Span . . . . . 100 Hz  
Resolution BW . . . . . 10 Hz  
Marker . . . . . off

88. On the Agilent 3324A, set the controls as follows:

Frequency . . . . . 250 kHz  
Amplitude . . . . .  $-4 \text{ dBm}$   
Amplitude increment . . . . .  $0.01 \text{ dB}$

89. On the Agilent 3458A, set the controls as follows:

Function . . . . . Sync AC Volts  
Math . . . . . dBm  
RES Register . . . . .  $50 \Omega$   
Front/Rear Terminal . . . . . Front  
Resolution . . . . . 7.5 digits

90. Connect the equipment as shown in [Figure 8-28](#) with the Agilent 8482A power sensor and Agilent 8902A connected to the Agilent 11667A power splitter.
91. Enter the power sensor calibration factor for 0.1 MHz into the Agilent 8902A.

**41a. Frequency Response: Agilent 8565E/EC**

92. Zero and calibrate the sensor.
93. Adjust the Agilent 3324A amplitude until the Agilent 8902A display reads the same value as recorded in [step 12](#).
94. Disconnect the Agilent 8482A power sensor from the power splitter and connect the Agilent 3458A.
95. Record the Agilent 3458A reading here and in [Table 8-59](#):

Agilent 3458A reading at 250 kHz: \_\_\_\_\_ dBm

96. On the spectrum analyzer, press **PEAK SEARCH** and **MARKER DELTA**.
97. Set the spectrum analyzer CENTER FREQ and the Agilent 3324A frequency to the next frequency listed in [Table 8-59](#).
98. Press **PEAK SEARCH** on the spectrum analyzer.
99. Adjust the Agilent 3324A amplitude for a  $\Delta$  MKR amplitude reading of 0.00 dBm  $\pm$ 0.05 dB.
100. Record the Agilent 3458A amplitude readings in [Table 8-59](#) as the ACDMV amplitude.
101. To step through the remaining frequencies listed in [Table 8-59](#), repeat [step 97](#) through [step 100](#).
102. For each of the frequencies listed in [Table 8-59](#), subtract the ACDVM amplitude reading from the ACDVM amplitude reading at 250 kHz recorded in [step 95](#). Record the results as the response relative to 250 kHz in [Table 8-59](#).
103. Add to each of the response relative to 250 kHz entries in [Table 8-59](#) the Agilent 8902A reading for 250 kHz listed in [Table 8-53](#). Record the results as the response relative to 300 MHz in [Table 8-59](#).

**Test Results**

104. Frequency Response, Band 0 – 250 kHz to 2.9 GHz.
  - a. Enter the most positive number from [Table 8-59](#), column 4. \_\_\_\_\_ dB
  - b. Enter the most positive number from [Table 8-53](#), column 2. \_\_\_\_\_ dB
  - c. Of (a) and (b), enter whichever number is *more* positive. \_\_\_\_\_ dB
  - d. Enter the most negative number from [Table 8-59](#), column 4. \_\_\_\_\_ dB
  - e. Enter the most negative number from [Table 8-53](#), column 2. \_\_\_\_\_ dB

f. Of (d) and (e), enter whichever number is *more* negative. \_\_\_\_\_ dB

g. Subtract (f) from (c). \_\_\_\_\_ dB

105. Frequency Response, Band 1 – 2.9 GHz to 6.5 GHz.

a. Enter the most positive number from [Table 8-54](#), column 2. \_\_\_\_\_ dB

b. Enter the most negative number from [Table 8-54](#), column 2. \_\_\_\_\_ dB

c. Subtract (b) from (a). \_\_\_\_\_ dB

106. Frequency Response, Band 2 – 6.5 GHz to 13.2 GHz.

a. Enter the most positive number from [Table 8-55](#), column 2. \_\_\_\_\_ dB

b. Enter the most negative number from [Table 8-55](#), column 2. \_\_\_\_\_ dB

c. Subtract (b) from (a). \_\_\_\_\_ dB

107. Frequency Response, Band 3 – 13.2 GHz to 20.2 GHz.

a. Enter the most positive number from [Table 8-56](#), column 2 for center frequencies less than or equal to 22 GHz. \_\_\_\_\_ dB

b. Enter the most negative number from [Table 8-56](#), column 2 for center frequencies less than or equal to 22 GHz. \_\_\_\_\_ dB

c. Subtract (b) from (a). \_\_\_\_\_ dB

**41a. Frequency Response: Agilent 8565E/EC**

108. Frequency Response, Band 3 – 20.4 GHz to 26.8 GHz.

- a. Enter the most positive number from [Table 8-56](#), column 2 \_\_\_\_\_ dB  
for center frequencies greater than 22 GHz.
- b. Enter the most negative number from [Table 8-56](#), column 2 for center frequencies greater than 22 GHz. \_\_\_\_\_ dB
- c. Subtract (b) from (a). \_\_\_\_\_ dB

109. Frequency Response, Band 3 – 13.2 GHz to 26.8 GHz.

- 110.a. Enter the most positive number from [step 107](#) (a) \_\_\_\_\_ dB  
and [step 108](#) (a).
- 111.b. Enter the most negative number from [step 107](#) (b) and \_\_\_\_\_ dB  
[step 108](#) (b).

112. Frequency Response, Band 4 – 26.9 GHz to 31.1 GHz.

- a. Enter the most positive number from [Table 8-57](#), column 2. \_\_\_\_\_ dB
- b. Enter the most negative number from [Table 8-57](#), column 2. \_\_\_\_\_ dB
- c. Subtract (b) from (a). \_\_\_\_\_ dB

113. Frequency Response, Band 5 – 31.2 GHz to 50.0 GHz.

- a. Enter the most positive number from [Table 8-58](#), column 2. \_\_\_\_\_ dB
- b. Enter the most negative number from [Table 8-58](#), column 2. \_\_\_\_\_ dB
- c. Subtract (b) from (a). \_\_\_\_\_ dB



### Frequency Response, Band 0, 100 MHz to 2.0 GHz

114. This step applies only to spectrum analyzers with serial number prefix 3641A or later. Enter the results of the frequency response, Band 0, for the frequency range 100 MHz to 2.0 GHz:

- a. Enter the most positive number from [Table 8-53](#), column \_\_\_\_\_ dB  
2, for center frequencies between 100 MHz and  
2.0 GHz.
- b. Enter the most negative number from [Table 8-53](#), column \_\_\_\_\_ dB  
2, for center frequencies between 100 MHz and  
2.0 GHz.
- c. Subtract (b) from (a). \_\_\_\_\_ dB

### Band Switching Uncertainty

115. In the top row of [Table 8-60](#), enter the values recorded in the indicated steps. For example, if [step 107](#) (a) has a value of 1.22 dB, enter “1.22 dB” in the top row of the Band 3 column.

116. In the left column of [Table 8-60](#), enter the values recorded in the indicated steps. For example, if [step 106](#) (b) has a value of -0.95 dB, enter “-0.95 dB” in the left column of the Band 2 row.

Compute the other entries in [Table 8-60](#) by taking the absolute value of the difference between the values in the left column and the top row.

**41a. Frequency Response: Agilent 8565E/EC****Table 8-53****Frequency Response, Band 0 (250 kHz to 2.9 GHz)**

<b>Source Frequency  (MHz)</b>	<b>Agilent 8902A Reading  (dB)</b>	<b>Pwr Sensor Cal Factor Frequency  (MHz)</b>	<b>Measurement Uncertainty  (dB)</b>
0.250		0.01	+0.37/-0.41
1		1	+0.37/-0.41
10		10	+0.37/-0.41
20		10	+0.37/-0.41
50		30	+0.37/-0.41
90		100	+0.32/-0.34
150		100	+0.37/-0.41
250		300	+0.37/-0.41
350		300	+0.37/-0.41
450		300	+0.37/-0.41
550		300	+0.37/-0.41
650		1000	+0.37/-0.41
750		1000	+0.37/-0.41
850		1000	+0.37/-0.41
950		1000	+0.37/-0.41
1050		1000	+0.37/-0.41
1150		1000	+0.37/-0.41
1250		1000	+0.37/-0.41
1350		1000	+0.37/-0.41
1450		1000	+0.37/-0.41
1550		2000	+0.37/-0.41
1650		2000	+0.37/-0.41
1750		2000	+0.37/-0.41
1850		2000	+0.37/-0.41
1950		2000	+0.37/-0.41
2050		2000	+0.37/-0.41
2150		2000	+0.37/-0.41
2250		2000	+0.37/-0.41
2350		2000	+0.37/-0.41
2450		2000	+0.37/-0.41
2550		3000	+0.37/-0.41
2650		3000	+0.37/-0.41
2750		3000	+0.37/-0.41
2850		3000	+0.37/-0.41
2900		3000	+0.37/-0.41

**Table 8-54**

**Frequency Response, Band 1 (2.9 GHz to 6.5 GHz)**

<b>Source Frequency (GHz)</b>	<b>Agilent 8902A Reading (dB)</b>	<b>Pwr Sensor Cal Factor Frequency (GHz)</b>	<b>Measurement Uncertainty (dB)</b>
2.95		2.0	+0.49/-0.55
3.05		4.0	+0.49/-0.55
3.15		4.0	+0.49/-0.55
3.25		4.0	+0.49/-0.55
3.35		4.0	+0.49/-0.55
3.45		4.0	+0.49/-0.55
3.55		4.0	+0.49/-0.55
3.65		4.0	+0.49/-0.55
3.75		4.0	+0.49/-0.55
3.85		4.0	+0.49/-0.55
3.95		4.0	+0.49/-0.55
4.05		4.0	+0.49/-0.55
4.15		4.0	+0.49/-0.55
4.25		4.0	+0.49/-0.55
4.35		4.0	+0.49/-0.55
4.45		4.0	+0.49/-0.55
4.55		4.0	+0.49/-0.55
4.65		4.0	+0.49/-0.55
4.75		4.0	+0.49/-0.55
4.85		4.0	+0.49/-0.55
4.95		4.0	+0.49/-0.55
5.05		6.0	+0.49/-0.55
5.15		6.0	+0.49/-0.55
5.25		6.0	+0.49/-0.55
5.35		6.0	+0.49/-0.55
5.45		6.0	+0.49/-0.55
5.55		6.0	+0.49/-0.55
5.65		6.0	+0.49/-0.55
5.75		6.0	+0.49/-0.55
5.85		6.0	+0.49/-0.55
5.95		6.0	+0.49/-0.55
6.05		6.0	+0.49/-0.55
6.15		6.0	+0.49/-0.55
6.25		6.0	+0.49/-0.55
6.35		6.0	+0.49/-0.55
6.45		6.0	+0.49/-0.55

**Table 8-55**

**Frequency Response, Band 2 (6.5 GHz to 13.2 GHz)**

<b>Source Frequency  (GHz)</b>	<b>Agilent 8902A Reading  (dB)</b>	<b>Pwr Sensor Cal Factor Frequency  (GHz)</b>	<b>Measurement Uncertainty  (dB)</b>
6.5		6.0	+0.49/-0.56
6.7		6.0	+0.49/-0.56
6.9		6.0	+0.49/-0.56
7.1		8.0	+0.49/-0.56
7.3		8.0	+0.49/-0.56
7.5		8.0	+0.49/-0.56
7.7		8.0	+0.49/-0.56
7.9		8.0	+0.49/-0.56
8.1		8.0	+0.49/-0.56
8.3		8.0	+0.49/-0.56
8.5		8.0	+0.49/-0.56
8.7		8.0	+0.49/-0.56
8.9		8.0	+0.49/-0.56
9.1		10.0	+0.49/-0.56
9.3		10.0	+0.49/-0.56
9.5		10.0	+0.49/-0.56
9.7		10.0	+0.49/-0.56
9.9		10.0	+0.49/-0.56
10.1		10.0	+0.49/-0.56
10.3		10.0	+0.49/-0.56
10.5		10.0	+0.49/-0.56
10.7		10.0	+0.49/-0.56
10.9		10.0	+0.49/-0.56
11.1		12.0	+0.49/-0.56
11.3		12.0	+0.49/-0.56
11.5		12.0	+0.49/-0.56
11.7		12.0	+0.49/-0.56
11.9		12.0	+0.49/-0.56
12.1		12.0	+0.49/-0.56
12.3		12.0	+0.49/-0.56
12.5		12.0	+0.49/-0.56
12.7		12.0	+0.49/-0.56
12.9		12.0	+0.49/-0.56
13.1		14.0	+0.49/-0.56
13.2		14.0	+0.49/-0.56

**Table 8-56**      **Frequency Response, Band 3 (13.2 GHz to 26.8 GHz)**

<b>Source Frequency  (GHz)</b>	<b>Agilent 8902A Reading  (dB)</b>	<b>Pwr Sensor Cal Factor Frequency  (GHz)</b>	<b>Measurement Uncertainty  (dB)</b>
13.25		14.0	+0.53/-0.60
13.4		14.0	+0.53/-0.60
13.6		14.0	+0.53/-0.60
13.8		14.0	+0.53/-0.60
14.0		14.0	+0.53/-0.60
14.2		14.0	+0.53/-0.60
14.4		14.0	+0.53/-0.60
14.6		14.0	+0.53/-0.60
14.8		14.0	+0.53/-0.60
15.0		14.0	+0.53/-0.60
15.2		16.0	+0.53/-0.60
15.4		16.0	+0.53/-0.60
15.6		16.0	+0.53/-0.60
15.8		16.0	+0.53/-0.60
16.0		16.0	+0.53/-0.60
16.2		16.0	+0.53/-0.60
16.4		16.0	+0.53/-0.60
16.6		16.0	+0.53/-0.60
16.8		16.0	+0.53/-0.60
17.0		16.0	+0.53/-0.60
17.2		18.0	+0.53/-0.60
17.4		18.0	+0.53/-0.60
17.6		18.0	+0.53/-0.60
17.8		18.0	+0.53/-0.60
18.0		18.0	+0.53/-0.60
18.2		18.0	+0.53/-0.60
18.4		18.0	+0.53/-0.60
18.6		18.0	+0.53/-0.60
18.8		18.0	+0.53/-0.60
19.0		18.0	+0.53/-0.60
19.2		20.0	+0.53/-0.60
19.4		20.0	+0.53/-0.60
19.6		20.0	+0.53/-0.60
19.8		20.0	+0.53/-0.60
20.0		20.0	+0.53/-0.60
20.2		20.0	+0.53/-0.60

## 41a. Frequency Response: Agilent 8565E/EC

Table 8-56

## Frequency Response, Band 3 (13.2 GHz to 26.8 GHz) (Continued)

Source Frequency (GHz)	Agilent 8902A Reading (dB)	Pwr Sensor Cal Factor Frequency (GHz)	Measurement Uncertainty (dB)
20.4		20.0	+0.53/-0.60
20.6		20.0	+0.53/-0.60
20.8		20.0	+0.53/-0.60
21.0		20.0	+0.53/-0.60
21.2		21.0	+0.53/-0.60
21.4		21.0	+0.53/-0.60
21.6		21.0	+0.53/-0.60
21.8		21.0	+0.53/-0.60
22.0		22.0	+0.53/-0.60
22.2		22.0	+0.53/-0.60
22.4		22.0	+0.53/-0.60
22.6		22.0	+0.53/-0.60
22.8		22.0	+0.53/-0.60
23.0		22.0	+0.53/-0.60
23.2		24.0	+0.53/-0.60
23.4		24.0	+0.53/-0.60
23.6		24.0	+0.53/-0.60
23.8		24.0	+0.53/-0.60
24.0		24.0	+0.53/-0.60
24.2		24.0	+0.53/-0.60
24.4		24.0	+0.53/-0.60
24.6		24.0	+0.53/-0.60
24.8		24.0	+0.53/-0.60
25.0		24.0	+0.53/-0.60
25.2		26.0	+0.53/-0.60
25.4		26.0	+0.53/-0.60
25.6		26.0	+0.53/-0.60
25.8		26.0	+0.53/-0.60
26.0		26.0	+0.53/-0.60
26.2		26.0	+0.53/-0.60
26.4		26.5	+0.53/-0.60
26.6		26.5	+0.53/-0.60
26.8		27.0	+0.53/-0.60

**Table 8-57**      **Frequency Response, Band 4 (26.9 GHz to 31.1 GHz)**

<b>Source Frequency (GHz)</b>	<b>Agilent 8902A Reading (dB)</b>	<b>Pwr Sensor Cal Factor Frequency (GHz)</b>	<b>Measurement Uncertainty (dB)</b>
26.9		27.0	+0.74/-0.89
27.2		27.0	+0.74/-0.89
27.5		28.0	+0.74/-0.89
27.8		28.0	+0.74/-0.89
28.1		28.0	+0.74/-0.89
28.4		28.0	+0.74/-0.89
28.7		29.0	+0.74/-0.89
29.0		29.0	+0.74/-0.89
29.3		29.0	+0.74/-0.89
29.6		30.0	+0.74/-0.89
29.9		30.0	+0.74/-0.89
30.2		30.0	+0.74/-0.89
30.5		31.0	+0.74/-0.89
30.8		31.0	+0.74/-0.89
31.1		31.0	+0.74/-0.89

**Table 8-58**      **Frequency Response, Band 5 (31.2 GHz to 50.0 GHz)**

<b>Source Frequency  (GHz)</b>	<b>Agilent 8902A Reading  (dB)</b>	<b>Pwr Sensor Cal Factor Frequency  (GHz)</b>	<b>Measurement Uncertainty  (dB)</b>
31.2		31.0	+0.74/-0.89
31.6		32.0	+0.74/-0.89
32.0		32.0	+0.74/-0.89
32.4		32.0	+0.74/-0.89
32.8		33.0	+0.74/-0.89
33.2		33.0	+0.74/-0.89
33.6		34.0	+0.74/-0.89
34.0		34.0	+0.74/-0.89
34.4		34.0	+0.74/-0.89
34.8		35.0	+0.74/-0.89
35.2		35.0	+0.74/-0.89
35.6		36.0	+0.74/-0.89
36.0		36.0	+0.74/-0.89
36.4		36.0	+0.74/-0.89
36.8		37.0	+0.74/-0.89
37.2		37.0	+0.74/-0.89
37.6		38.0	+0.74/-0.89
38.0		38.0	+0.74/-0.89
38.4		38.0	+0.74/-0.89
38.8		39.0	+0.74/-0.89
39.2		39.0	+0.74/-0.89
39.6		40.0	+0.74/-0.89
40.0		40.0	+0.74/-0.89
40.4		40.0	+0.74/-0.89
40.8		41.0	+0.74/-0.89
41.2		41.0	+0.74/-0.89
41.6		42.0	+0.74/-0.89
42.0		42.0	+0.74/-0.89
42.4		42.0	+0.74/-0.89
42.8		43.0	+0.74/-0.89
43.2		43.0	+0.74/-0.89
43.6		44.0	+0.74/-0.89
44.0		44.0	+0.74/-0.89
44.4		44.0	+0.74/-0.89



**Table 8-58** Frequency Response, Band 5 (31.2 GHz to 50.0 GHz) (Continued)

Source Frequency (GHz)	Agilent 8902A Reading (dB)	Pwr Sensor Cal Factor Frequency (GHz)	Measurement Uncertainty (dB)
44.8		45.0	+0.74/-0.89
45.2		45.0	+0.74/-0.89
45.6		46.0	+0.74/-0.89
46.0		46.0	+0.74/-0.89
46.4		46.0	+0.74/-0.89
46.8		47.0	+0.74/-0.89
47.2		47.0	+0.74/-0.89
47.6		48.0	+0.74/-0.89
48.0		48.0	+0.74/-0.89
48.4		48.0	+0.74/-0.89
48.8		49.0	+0.74/-0.89
49.2		49.0	+0.74/-0.89
49.6		50.0	+0.74/-0.89
50.0		50.0	+0.74/-0.89

**Table 8-59** Frequency Response (<250 kHz) (Option 006 Only)

Function Generator Frequency	ACDVM Amplitude (dBm)	Response Relative to 250 kHz	Response Relative to 300 MHz	Measurement Uncertainty (dB)
250 kHz		0 (Ref)		±0.23
100 kHz				±0.23
10 kHz				±0.23
1 kHz				±0.23
500 Hz				±0.23
200 Hz				±0.23

**Table 8-60 Band Switching Uncertainty**

	<b>Band 0</b> <b>Step 104c</b>	<b>Band 1</b> <b>Step 105a</b>	<b>Band 2</b> <b>Step 106a</b>	<b>Band 3</b> <b>&lt;22 GHz</b> <b>Step 107a</b>	<b>Band 3</b> <b>&gt;22 GHz</b> <b>Step 108a</b>	<b>Band 4</b> <b>Step 112a</b>	<b>Band 5</b> <b>Step 113a</b>
<b>Band 0</b> <b>Step 104f</b>	N/A						
<b>Band 1</b> <b>Step 105b</b>		N/A					
<b>Band 2</b> <b>Step 106b</b>			N/A				
<b>Band 3</b> <b>&lt;22 GHz</b> <b>Step 107b</b>				N/A			
<b>Band 3</b> <b>&gt;22 GHz</b> <b>Step 108b</b>					N/A		
<b>Band 4</b> <b>Step 112b</b>						N/A	
<b>Band 5</b> <b>Step 113b</b>							N/A

## 43a. Third Order Intermodulation Distortion: 8560E/EC

### Instrument Under Test

8560E/EC

### Related Specification

Third Order Intermodulation Distortion

### Related Adjustment

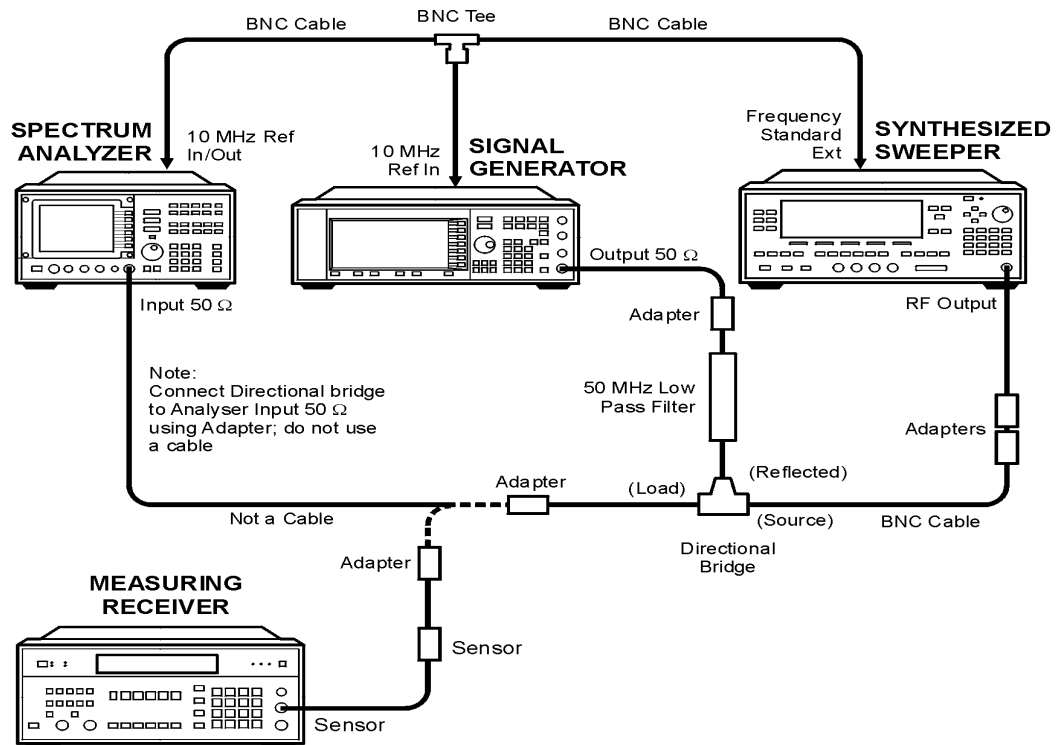
1st LO Distribution Amplifier Adjustment

### Description

Two synthesized sources provide the signals required for measuring third order intermodulation distortion. A filter is used to attenuate the second harmonic of the signal closest to the distortion product being measured. The spectrum analyzer provides the 10 MHz reference for the synthesized sources.

Figure 8-29

### Third Order Intermodulation Test Setup



wj119c

## Equipment

Signal generator . . . . .	Agilent E4421B
Synthesized sweeper . . . . .	Agilent 83640B
Measuring receiver . . . . .	Agilent 8902A
Power sensor . . . . .	Agilent 8482A
Directional bridge . . . . .	Agilent 8721A
50 MHz low-pass filter . . . . .	0955-0306

### Adapters

Type N (f) to APC 2.4 (f) . . . . .	Agilent 11903B
Type N (m) to BNC (m) . . . . .	1250-1473
Type N (m) to BNC (f) . . . . .	1250-1476
Type N (f) to type N (f) . . . . .	1250-1472
BNC tee (m) (f) (f) . . . . .	1250-0781

### Cable

BNC, 122 cm (48 in.) (4 required) Agilent 10503A

## Procedure

1. Connect the equipment as shown in [Figure 8-29](#), but do not connect the directional bridge to the spectrum analyzer.
2. Set the Agilent E4421B as follows:

Frequency . . . . .	45 MHz
Amplitude . . . . .	-14 dB
Amplitude increment . . . . .	0.04 dB
3. Press **PRESET** on the Agilent 83640B and set the controls as follows:

CW frequency . . . . .	45.05 MHz
Power level . . . . .	-110 dBm
Modulation . . . . .	off
RF power . . . . .	off
Frequency standard switch (rear panel) . . . . .	.EXT
4. On the Agilent 8902A, set the controls as follows:

FUNCTION . . . . .	RF POWER
LOG/LIN . . . . .	LOG

5. Press **PRESET** on the spectrum analyzer. Set the controls as follows:
  - Center frequency . . . . . 45.0 MHz
  - Center frequency step . . . . . 50 kHz
  - Span . . . . . 1 kHz
  - Reference level . . . . . -20 dBm
  - Resolution BW . . . . . 10 Hz
6. Zero the Agilent 8902A/Agilent 8482A combination and calibrate the Agilent 8482A at 50 MHz as described in the Agilent 8902A Operation Manual.
7. Connect the power sensor to the output of the directional bridge using an adapter; do not use a cable.
8. Press **Amplitude** on the Agilent E4421B and use the increment  $\Downarrow$  and  $\Uparrow$  keys to adjust the amplitude for a  $-20 \text{ dBm} \pm 0.1 \text{ dB}$  reading on the Agilent 8902A display.
9. Disconnect the power sensor from the directional bridge. Connect the directional bridge directly to the spectrum analyzer input using an adapter, not a cable.

**43a. Third Order Intermodulation Distortion: 8560E/EC**

10. On the spectrum analyzer, press **PEAK SEARCH**, **MKR** →, and **MARKER** → **REF LVL**. Wait for completion of a new sweep. Press **MKR**, **MARKER DELTA**, **FREQUENCY**, and ↑.
11. On the Agilent 83640B, press **RF**, **ON**, **POWER LEVEL**, -14, and **dBm**.
12. On the spectrum analyzer, press **PEAK SEARCH**.
13. On the Agilent 83640B, adjust the power level for a  $\Delta$ MKR amplitude reading of 0 dB  $\pm$ 0.17 dB on the spectrum analyzer.
14. On the spectrum analyzer, press **MKR**, **MARKER NORMAL**, **PEAK SEARCH**, **MARKER DELTA**, **FREQUENCY**, ↓, and ↓. Wait for completion of a new sweep. Press **PEAK SEARCH**.
15. Record the spectrum analyzer  $\Delta$ MKR amplitude reading below as the lower product suppression.

Lower product suppression \_\_\_\_\_ dBc

16. On the Agilent E4421B, press **FREQUENCY**, 45.05, and **MHz**.
17. On the Agilent 83640B, press **CW**, 45, and **MHz**.
18. On the spectrum analyzer, press **FREQUENCY**, ↓, ↓, and ↓. Wait for completion of a new sweep. Press **PEAK SEARCH**.
19. Record the spectrum analyzer  $\Delta$ MKR amplitude reading below as the upper product suppression.

Upper product suppression \_\_\_\_\_ dBc

20. Between the upper and lower product suppressions recorded in steps 15 and 19 above, record the more positive suppression as the third order intermodulation distortion.

Third order intermodulation distortion \_\_\_\_\_ dBc

## **44a. Third Order Intermodulation Distortion: Agilent 8561E/EC**

### **Instrument Under Test**

Agilent 8561E/EC

### **Related Specification**

Third Order Intermodulation Distortion

### **Related Adjustment**

1st LO Distribution Amplifier Adjustment

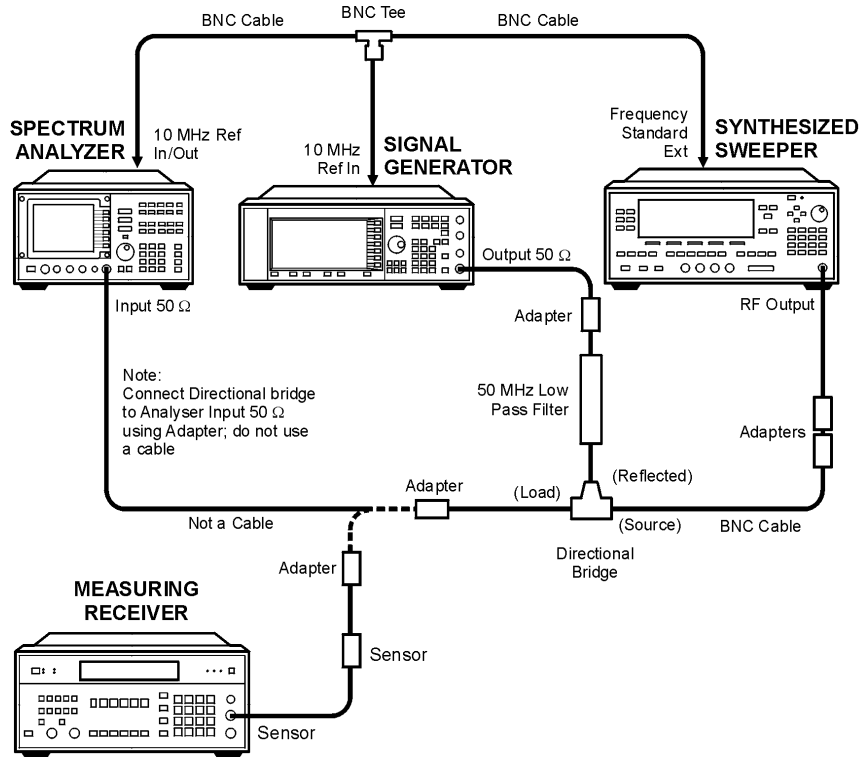
### **Description**

Two synthesized sources provide the signals required for measuring third order intermodulation distortion. In the 30 Hz to 2.9 GHz band, a filter is used to attenuate the second harmonic of the signal closest to the distortion product being measured. A filter is not necessary in the preselected band. The spectrum analyzer provides the 10 MHz reference for the synthesized sources.

44a. Third Order Intermodulation Distortion: Agilent 8561E/EC

Figure 8-30

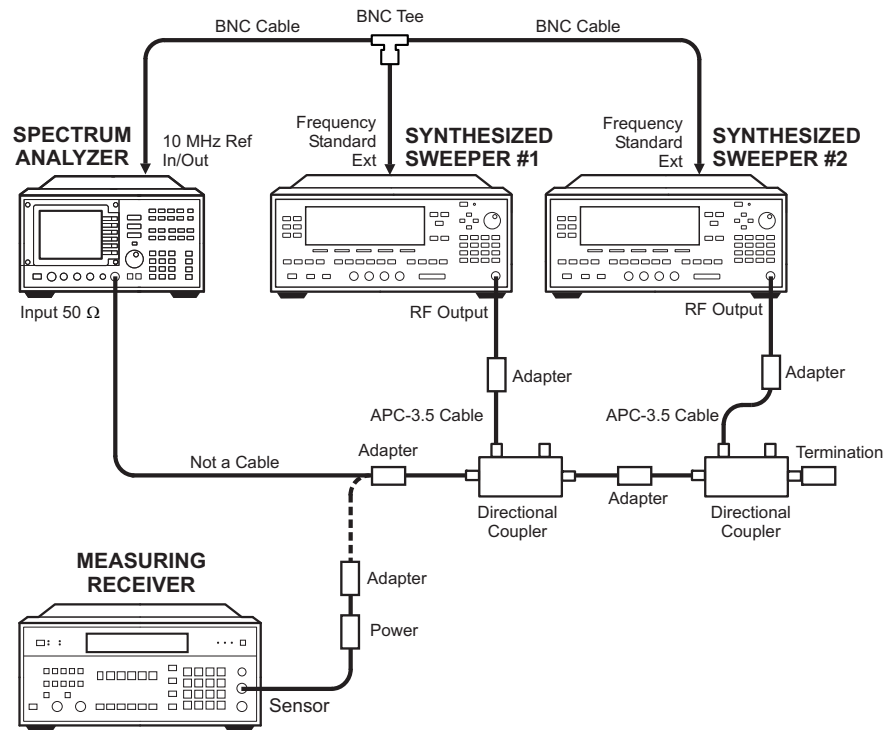
Third Order Intermodulation Test Setup (<2.9 GHz)



wj119c

Figure 8-31

Third Order Intermodulation Test Setup (>2.9 GHz)



wj113c



**44a. Third Order Intermodulation Distortion: Agilent 8561E/EC****Equipment**

Signal generator . . . . .	Agilent E4421B
Synthesized sweeper ( <i>2 required</i> ) . . . . .	Agilent 83640B
Measuring receiver . . . . .	Agilent 8902A
Power sensor . . . . .	Agilent 8481A
Directional bridge . . . . .	Agilent 8721A
Directional coupler ( <i>2 required</i> ) . . . . .	0955-0098
50 MHz low-pass filter . . . . .	0955-0306
50 $\Omega$ SMA termination . . . . .	1810-0118

**Adapters**

Type N (f) to APC 2.4mm (f) . . . . .	Agilent 11903B
Type N (m) to BNC (m) ( <i>2 required</i> ) . . . . .	1250-1473
Type N (m) to BNC (f) . . . . .	1250-1476
Type N (f) to type N (f) . . . . .	1250-1472
Type N (m) to APC 3.5 (m) . . . . .	1250-1743
APC 3.5 (f) to APC 2.4mm (f) ( <i>2 required</i> ) . . . . .	Agilent 11901B
SMA (m) to SMA (m) . . . . .	1250-1159
BNC tee (m) (f) (f) . . . . .	1250-0781

**Cables**

BNC, 122 cm (48 in.) ( <i>4 required</i> ) . . . . .	Agilent 10503A
APC 3.5, 91 cm (36 in.) ( <i>2 required</i> ) . . . . .	8120-4291

## Procedure

### Third Order Intermodulation (<2.9 GHz)

1. Connect the equipment as shown in [Figure 8-30](#), but do not connect the directional bridge to the spectrum analyzer.

Set the Agilent E4421B controls as follows:

Frequency . . . . . 45 MHz  
Amplitude . . . . . -14 dB  
Amplitude increment . . . . . 0.04 dB

2. Press **INSTR PRESET** on the Agilent 83640B and set the controls as follows:

CW frequency . . . . . 45.05 MHz  
Power level . . . . . -110 dBm  
Modulation . . . . . off  
RF power. . . . . off  
Frequency standard switch (rear panel) . . . . . .EXT

3. On the Agilent 8902A, set the controls as follows:

Function . . . . . RF power  
Log/linear . . . . . Log

4. Press **PRESET** on the spectrum analyzer. Set the controls as follows:

Center frequency . . . . . 45.0 MHz  
Center frequency step . . . . . .50 kHz  
Span . . . . . 1 kHz  
Reference level . . . . . -20 dBm  
Resolution BW . . . . . 10 Hz

5. Zero the Agilent 8902A/Agilent 8482A combination and calibrate the Agilent 8482A at 50 MHz as described in the Agilent 8902A Operation Manual.
6. Connect the power sensor to the output of the directional bridge using an adapter; do not use a cable.
7. Press **Amplitude** on the Agilent E4421B and use the increment  $\downarrow$  and  $\uparrow$  keys to adjust the amplitude for a  $-20 \text{ dBm} \pm 0.1 \text{ dB}$  reading on the Agilent 8902A display.

**44a. Third Order Intermodulation Distortion: Agilent 8561E/EC**

8. Disconnect the power sensor from the directional bridge. Connect the directional bridge directly to the spectrum analyzer input using an adapter, not a cable.
9. On the spectrum analyzer, press **PEAK SEARCH**, **MKR** →, and **MARKER** → **REF LVL**. Wait for completion of a new sweep. Press **MKR**, **MARKER DELTA**, **FREQUENCY**, and ↑.
10. On the Agilent 83640B, press **RF**, **ON**, **POWER LEVEL**, -14, and **dBm**.
11. On the spectrum analyzer, press **PEAK SEARCH**.
12. On the Agilent 83640B, adjust the power level for a  $\Delta$ MKR amplitude reading of 0 dB  $\pm$ 0.17 dB on the spectrum analyzer.
13. On the spectrum analyzer, press **MKR**, **MARKER NORMAL**, **PEAK SEARCH**, **MARKER DELTA**, **FREQUENCY**, ↓, and ↓. Wait for completion of a new sweep. Press **PEAK SEARCH**.
14. Record the spectrum analyzer  $\Delta$ MKR amplitude reading below as the lower product suppression.

Lower product suppression \_\_\_\_\_ dBc

15. On the Agilent E4421B, press **FREQUENCY**, 45.05, and **MHz**.
16. On the Agilent 83640B, press **CW**, 45, and **MHz**.
17. On the spectrum analyzer, press **FREQUENCY**, ↑, ↑, and ↑. Wait for completion of a new sweep. Press **PEAK SEARCH**.
18. Record the spectrum analyzer  $\Delta$ MKR amplitude reading below as the upper product suppression.

Upper product suppression \_\_\_\_\_ dBc

19. Between the upper and lower product suppressions recorded in steps 14 and 18 above, record the more positive suppression as the third order intermodulation distortion.

Third order  
intermodulation distortion \_\_\_\_\_ dBc

**Third Order Intermodulation (>2.9 GHz)**

20. Connect the equipment as shown in [Figure 8-31](#), but do not connect the directional coupler to the spectrum analyzer. The spectrum analyzer provides the 10 MHz reference to the synthesized sweepers.
21. On each Agilent 83640B, press **INSTR PRESET**. Set the controls as follows:

**44a. Third Order Intermodulation Distortion: Agilent 8561E/EC**

Power level . . . . . 0 dBm  
Modulation . . . . . off  
RF power. . . . . off  
Frequency standard switch (Rear Panel) . . . . .EXT

22. On Agilent 83640B #1, press **CW**, **5**, and **GHz**.

23. On Agilent 83640B #2, press, **CW**, **5.00005**, and **GHz**.

24. Enter the power sensor 5 GHz calibration factor into the Agilent 8902A.

25. On the spectrum analyzer, press **PRESET**, **RECALL**, **MORE 1 OF 2**, and **FACTORY PRSEL PK**. Set the controls as follows:

Center frequency . . . . .5.0 GHz  
Reference level . . . . .-15 dBm  
Span . . . . .10 kHz  
Center frequency step . . . . .50 kHz  
Resolution BW . . . . .300 Hz  
Video average . . . . . off

26. Connect the power sensor to the directional coupler using an adapter; do not use a cable.

27. On Agilent 83640B #1, press **RF**, **ON**, and **POWER LEVEL**. Adjust the power level for a -15 dBm ±0.1 dB reading on the Agilent 8902A display.

28. Disconnect the power sensor from the directional coupler. Connect the directional coupler to the spectrum analyzer INPUT 50 Ω using an adapter. Do not use a cable.

29. On the spectrum analyzer, press **PEAK SEARCH**, **AMPLITUDE**, **MORE 1 OF 3**, **MORE 2 OF 3**, and **PRESEL AUTO PK**. Wait for the PEAKING message to disappear. Press **SPAN**, **1**, **kHz**, **BW**, **10**, and **Hz**.

**44a. Third Order Intermodulation Distortion: Agilent 8561E/EC**

30. On the spectrum analyzer, press **PEAK SEARCH**, **MKR** →, and **MARKER** → **REF LVL**. Wait for completion of a new sweep. Press **MKR**, **MARKER DELTA**, **FREQUENCY**, and ↑.
31. On Agilent 83640B #2, press **RF**, **ON**, and **POWER LEVEL**.
32. On the spectrum analyzer, press **PEAK SEARCH**.
33. On Agilent 83640B #2, adjust the power level for a  $\Delta$ MKR amplitude reading of 0.0 dB  $\pm$ 0.17 dB on the spectrum analyzer.
34. On the spectrum analyzer, press **MKR**, **MARKER NORMAL**, **PEAK SEARCH**, **MARKER DELTA**, **FREQUENCY**, and ↑. Press **BW**, **VID AVG ON**, **5**, **Hz**, **TRACE**, and **CLEAR WRITE A**. Wait until VAVG 5 is displayed above the graticule.
35. Press **SGL SWP** and wait for completion of a new sweep. Press **PEAK SEARCH**. Record the spectrum analyzer  $\Delta$ MKR amplitude reading below as the upper product suppression.

Upper product suppression \_\_\_\_\_ dBc

36. On the spectrum analyzer, press **FREQUENCY**, ↓, ↓, and ↓. Press **TRIG**, **SWEEP CONT**, **TRACE**, and **CLEAR WRITE A**. Wait until VAVG 5 is displayed above the graticule.
37. Press **SGL SWP** and wait for completion of a new sweep. Press **PEAK SEARCH**. Record the spectrum analyzer  $\Delta$ MKR amplitude reading below as the lower product suppression.

Lower product suppression \_\_\_\_\_ dBc

38. Between the upper and lower product suppressions recorded in steps 35 and 37 above, record the more positive suppression as the uncorrected third order intermodulation distortion.

Uncorrected third order  
intermodulation distortion \_\_\_\_\_ dBc

39. The uncorrected third order intermodulation distortion represents the distortion with -25 dBm at the input mixer. The distortion products with -30 dBm at the input mixer will be 10 dB lower than the distortion products measured. Subtract 10 dB from the uncorrected third order intermodulation distortion and record the result as the corrected third order intermodulation distortion.

Corrected third order  
intermodulation distortion \_\_\_\_\_ dBc

## **45a. Third Order Intermodulation Distortion: Agilent 8562E/EC, Agilent 8563E/EC**

### **Instrument Under Test**

Agilent 8562E/EC

Agilent 8563E/EC

### **Related Specification**

Third Order Intermodulation Distortion

### **Related Adjustment**

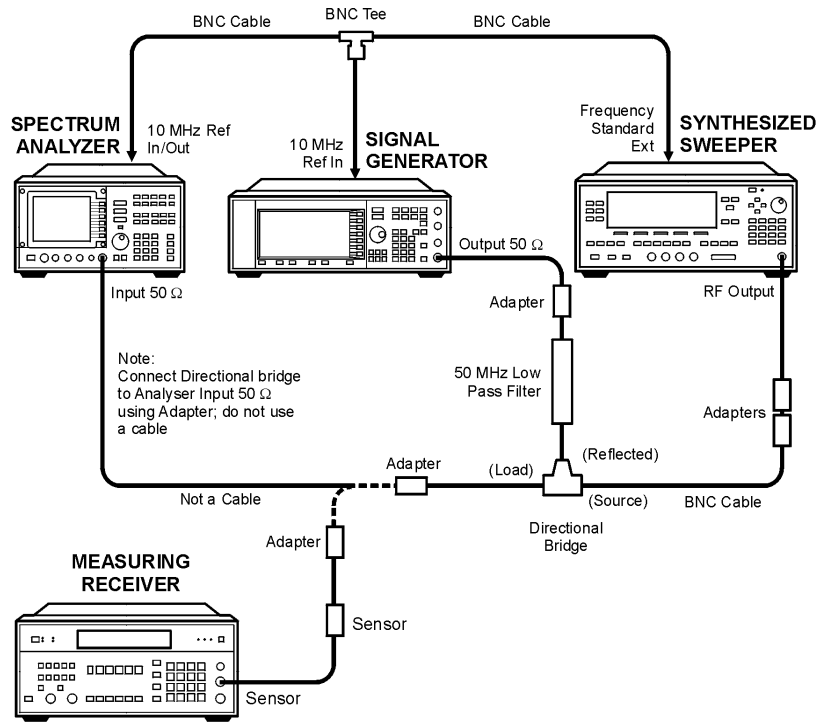
1st LO Distribution Amplifier Adjustment

### **Description**

Two synthesized sources provide the signals required for measuring third order intermodulation distortion. In the 30 Hz to 2.9 GHz band, a filter is used to attenuate the second harmonic of the signal closest to the distortion product being measured. A filter is not necessary in the preselected bands. The spectrum analyzer provides the 10 MHz reference for the synthesized sources.

**Figure 8-32**

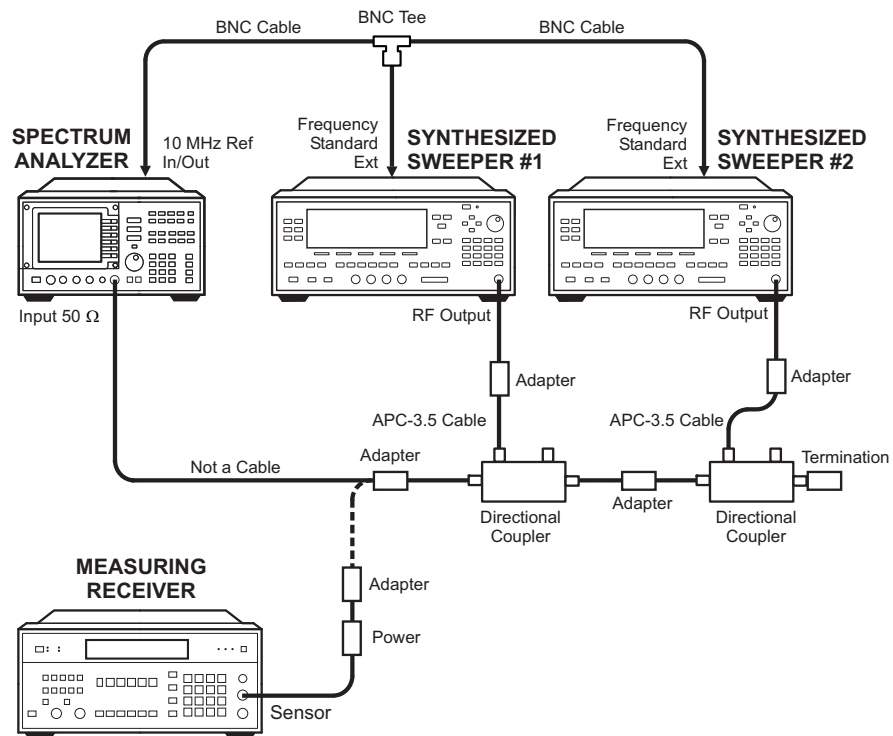
**Third Order Intermodulation Test Setup (50 Hz to 2.9 GHz)**



wj119c

**Figure 8-33**

**Third Order Intermodulation Test Setup (2.75 GHz to 6.5 GHz)**



wj113c

**Equipment**

Signal generator . . . . .	Agilent E4421B
Synthesized sweeper ( <i>2 required</i> ) . . . . .	Agilent 83640B
Measuring receiver . . . . .	Agilent 8902A
Power sensor . . . . .	Agilent 8481A
Directional bridge . . . . .	Agilent 8721A
Directional coupler ( <i>2 required</i> ) . . . . .	0955-0098
50 MHz low-pass filter . . . . .	0955-0306
50 $\Omega$ SMA termination . . . . .	1810-0118

**Adapters**

Type N (f) to APC 2.4 (f) . . . . .	Agilent 11903B
Type N (m) to BNC (m) . . . . .	1250-1473
Type N (f) to type N (f) . . . . .	1250-1472
Type N (m) to BNC (f) . . . . .	1250-1476
Type N (m) to APC 3.5 (m) . . . . .	1250-1743
APC 3.5 (f) to APC 2.4 (f) ( <i>2 required</i> ) . . . . .	5061-5311
SMA (m) to SMA (m) . . . . .	Agilent 11901B
BNC tee (m) (f) (f) . . . . .	1250-0781

**Cables**

BNC, 122 cm (48 in.) ( <i>4 required</i> ) . . . . .	Agilent 10503A
APC 3.5, 91 cm (36 in.) ( <i>2 required</i> ) . . . . .	8120-4291



## Procedure

### Third Order Intermodulation (< 2.9 GHz)

1. Connect the equipment as shown in [Figure 8-32](#), but do not connect the directional bridge to the spectrum analyzer.
2. Set the Agilent E4421B controls as follows:
  - Frequency . . . . . 45 MHz
  - Amplitude . . . . . -14 dBm
  - Amplitude increment . . . . . 0.04 dB
3. Press **INSTR PRESET** on the Agilent 83640B and set the controls as follows:
  - CW frequency . . . . . 45.05 MHz
  - Power level . . . . . -110 dBm
  - Modulation . . . . . off
  - RF power . . . . . off
  - Frequency standard switch (rear panel). . . . . EXT
4. On the Agilent 8902A, set the controls as follows:
  - Function. . . . . RF power
  - Log/linear . . . . . Log
5. Press **PRESET** on the spectrum analyzer. Set the controls as follows:
  - Center frequency . . . . . 45.0 MHz
  - Center frequency step . . . . . 50 kHz
  - Span . . . . . 1 kHz
  - Reference level . . . . . -20 dBm
  - Resolution BW . . . . . 10 Hz
6. Zero the Agilent 8902A/Agilent 8481A combination and calibrate the Agilent 8481A at 50 MHz as described in the Agilent 8902A Operation Manual.
7. Connect the power sensor to the output of the directional bridge using an adapter; do not use a cable.
8. Press **Amplitude** on the Agilent E4421B and use the increment  $\Downarrow$  and  $\Uparrow$  keys to adjust the amplitude for a  $-20 \text{ dBm} \pm 0.1 \text{ dB}$  reading on the Agilent 8902A display.

**45a. Third Order Intermodulation Distortion: Agilent 8562E/EC, Agilent 8563E/EC**

9. Disconnect the power sensor from the directional bridge. Connect the directional bridge directly to the spectrum analyzer input using an adapter, not a cable.
10. On the spectrum analyzer, press **PEAK SEARCH**, **MKR** →, and **MARKER** → **REF LVL**. Wait for completion of a new sweep. Press **MKR**, **MARKER DELTA**, **FREQUENCY**, and ↑.
11. On the Agilent 83640B, press **RF**, **ON**, **POWER LEVEL**, -14, and **dBm**.
12. On the spectrum analyzer, press **PEAK SEARCH**.
13. On the Agilent 83640B, adjust the power level for a  $\Delta$ MKR amplitude reading of 0 dB  $\pm$ 0.17 dB on the spectrum analyzer.
14. On the spectrum analyzer, press **MKR**, **MARKER NORMAL**, **PEAK SEARCH**, **MARKER DELTA**, **FREQUENCY**, ↓, and ↓. Wait for completion of a new sweep. Press **PEAK SEARCH**.
15. Record the spectrum analyzer  $\Delta$ MKR amplitude reading below as the lower product suppression.

Lower product suppression \_\_\_\_\_ dBc

16. On the Agilent E4421B, press **FREQUENCY**, 45.05, and **MHz**.
17. On the Agilent 83640B, press **CW**, 45, **MHz**.
18. On the spectrum analyzer, press **FREQUENCY**, ↑, ↑, and ↑. Wait for completion of a new sweep. Press **PEAK SEARCH**.
19. Record the spectrum analyzer  $\Delta$ MKR amplitude reading below as the upper product suppression.

Upper product suppression \_\_\_\_\_ dBc

20. Between the upper and lower product suppressions recorded in steps 15 and 19 above, record the more positive suppression as the third order intermodulation distortion at 45 MHz.

Third order  
intermodulation distortion, 45 MHz \_\_\_\_\_ dBc

**Third Order Intermodulation (2.9 GHz to 6.46 GHz)**

21. Connect the equipment as shown in [Figure 8-33](#), but do not connect the directional coupler to the spectrum analyzer. The spectrum analyzer provides the 10 MHz reference to the synthesized sweepers.
22. On each Agilent 83640B, press **INSTR PRESET**. Set the controls as follows:

**45a. Third Order Intermodulation Distortion: Agilent 8562E/EC, Agilent 8563E/EC**

Power level . . . . . 0 dBm  
 Modulation . . . . . off  
 RF power . . . . . off  
 Frequency standard switch (Rear Panel) . . . . . EXT

23. On Agilent 83640B #1, press **CW**, **5**, and **GHz**.

24. On Agilent 83640B #2, press **CW**, **5.00005**, and **GHz**.

25. Enter the power sensor 5 GHz calibration factor into the Agilent 8902A.

26. On the spectrum analyzer, press **PRESET**, **RECALL**, **MORE 1 OF 2**, and **FACTORY PSEL PK**. Set the controls as follows:

Center frequency . . . . . 5.0 GHz  
 Reference level . . . . . -15 dBm  
 Span . . . . . 10 kHz  
 Center frequency step . . . . . 50 kHz  
 Resolution BW . . . . . 300 Hz  
 Video average . . . . . off

27. Connect the power sensor to the directional coupler using an adapter; do not use a cable.

28. On Agilent 83640B #1, press **RF**, **ON**, and **POWER LEVEL**. Adjust the power level for a  $-15 \text{ dBm} \pm 0.1 \text{ dB}$  reading on the Agilent 8902A display.

29. Disconnect the power sensor from the directional coupler. Connect the directional coupler to the spectrum analyzer INPUT  $50 \Omega$  using an adapter. Do not use a cable.

30. On the spectrum analyzer, press **PEAK SEARCH**, **AMPLITUDE**, **MORE 1 OF 3**, **MORE 2 OF 3**, and **PRESEL AUTO PK**. Wait for the **PEAKING** message to disappear. Press **SPAN**, **1**, **kHz**, **BW**, **10**, and **Hz**.

31. On the spectrum analyzer, press **PEAK SEARCH**, **MKR**  $\rightarrow$ , and **MARKER**  $\rightarrow$  **REF LVL**. Wait for completion of a new sweep. Press **MKR**, **MARKER DELTA**, **FREQUENCY**, and  $\uparrow$ .

32. On Agilent 83640B #2, press **RF**, **ON**, and **POWER LEVEL**.

33. On the spectrum analyzer, press **PEAK SEARCH**.

34. On Agilent 83640B #2, adjust the power level for a  $\Delta\text{MKR}$  amplitude reading of  $0.0 \text{ dB} \pm 0.17 \text{ dB}$  on the spectrum analyzer.

**45a. Third Order Intermodulation Distortion: Agilent 8562E/EC, Agilent 8563E/EC**

35. On the spectrum analyzer, press **MKR, MARKER NORMAL, PEAK SEARCH, MARKER DELTA, FREQUENCY**, and  $\uparrow$ . Press **BW, VID AVG ON, 5, Hz, TRACE**, and **CLEAR WRITE A**. Wait until **VAVG 5** is displayed above the graticule.

36. Press **SGL SWP** and wait for completion of a new sweep. Press **PEAK SEARCH**. Record the spectrum analyzer  $\Delta$ MKR amplitude reading below as the upper product suppression.

Upper product suppression \_\_\_\_\_ dBc

37. On the spectrum analyzer, press **FREQUENCY**,  $\downarrow$ ,  $\downarrow$ , and  $\downarrow$ . Press **TRIG, SWEEP CONT, TRACE**, and **CLEAR WRITE A**. Wait until **VAVG 5** is displayed above the graticule.

38. Press **SGL SWP** and wait for completion of a new sweep. Press **PEAK SEARCH**. Record the spectrum analyzer  $\Delta$ MKR amplitude reading below as the lower product suppression.

Lower product suppression \_\_\_\_\_ dBc

39. Between the upper and lower product suppressions recorded in steps 36 and 38 above, record the more positive suppression as the uncorrected third order intermodulation distortion.

Uncorrected third order  
intermodulation distortion \_\_\_\_\_ dBc

40. The uncorrected third order intermodulation distortion represents the distortion with  $-25$  dBm at the input mixer. The distortion products with  $-30$  dBm at the input mixer will be 10 dB lower than the distortion products measured. Subtract 10 dB from the uncorrected third order intermodulation distortion and record the result as the third order intermodulation distortion at 5 GHz.

Third order  
intermodulation distortion, 5 GHz \_\_\_\_\_ dBc

**45a. Third Order Intermodulation Distortion: Agilent 8562E/EC, Agilent 8563E/EC****Third Order Intermodulation (>6.46 GHz)**

41. On Agilent 83640B #1, press **CW**, **8**, **GHz**, **POWER LEVEL**, **0**, **dBm**, **RF**, and **OFF**.
42. On Agilent 83640B #2, press **CW**, **8.00005**, **GHz**, **POWER LEVEL**, **0**, **dBm**, **RF**, and **OFF**.
43. Enter the power sensor 8 GHz calibration factor into the Agilent 8902A.
44. On the spectrum analyzer, press **PRESET**, **RECALL**, **MORE 1 OF 2**, and **FACTORY PRESEL PK**. Set the controls as follows:
 

Center frequency . . . . .	8.0 GHz
Reference level . . . . .	–15 dBm
Span . . . . .	10 kHz
Center frequency step . . . . .	50 kHz
Resolution BW . . . . .	300 Hz
Video average . . . . .	off
45. Disconnect the directional coupler from the spectrum analyzer. Connect the power sensor to the directional coupler using an adapter; do not use a cable.
46. On Agilent 83640B #1, press **RF**, **ON**, and **POWER LEVEL**. Adjust the power level for a  $-15 \text{ dBm} \pm 0.1 \text{ dB}$  reading on the Agilent 8902A display.
47. Disconnect the power sensor from the directional coupler. Connect the directional coupler to the spectrum analyzer INPUT  $50 \Omega$  using an adapter. Do not use a cable.
48. On the spectrum analyzer, press **PEAK SEARCH**, **AMPLITUDE**, **MORE 1 OF 3**, **MORE 2 OF 3**, and **PRESEL AUTO PK**. Wait for the **PEAKING** message to disappear. Press **SPAN**, **1**, **kHz BW**, **10**, and **Hz**.
49. On the spectrum analyzer, press **PEAK SEARCH**, **MKR**  $\rightarrow$ , and **MARKER**  $\rightarrow$  **REF LVL**. Wait for completion of a new sweep. Press **MKR**, **MARKER DELTA**, **FREQUENCY**, and  $\uparrow$ .
50. On Agilent 83640B #2, press **RF**, **ON**, and **POWER LEVEL**.
51. On the spectrum analyzer, press **PEAK SEARCH**.
52. On Agilent 83640B #2, adjust the power level for a  $\Delta\text{MKR}$  amplitude reading of  $0.0 \text{ dB} \pm 0.17 \text{ dB}$  on the spectrum analyzer.

**45a. Third Order Intermodulation Distortion: Agilent 8562E/EC, Agilent 8563E/EC**

53. On the spectrum analyzer, press **MKR**, **MARKER NORMAL**, **PEAK SEARCH**, **MARKER DELTA**, **FREQUENCY**, and  $\uparrow$ . Press **BW**, **VID AVG ON**, **5**, **Hz**, **TRACE**, and **CLEAR WRITE A**. Wait until **VAVG 5** is displayed above the graticule.

54. Press **SGL SWP** and wait for completion of a new sweep. Press **PEAK SEARCH**. Record the spectrum analyzer  $\Delta$ MKR amplitude reading below as the upper product suppression.

Upper product suppression \_\_\_\_\_ dBc

55. On the spectrum analyzer, press **FREQUENCY**,  $\downarrow$ ,  $\downarrow$ , and  $\downarrow$ . Press **TRIG**, **SWEEP CONT**, **TRACE**, and **CLEAR WRITE A**. Wait until **VAVG 5** is displayed above the graticule.

56. Press **SGL SWP** and wait for completion of a new sweep. Press **PEAK SEARCH**. Record the spectrum analyzer  $\Delta$ MKR amplitude reading below as the lower product suppression.

Lower product suppression \_\_\_\_\_ dBc

57. Between the upper and lower product suppressions recorded in steps 54 and 56 above, record the more positive suppression as the uncorrected third order intermodulation distortion.

Uncorrected third order  
intermodulation distortion \_\_\_\_\_ dBc

58. Subtract 10 dB from the uncorrected third order intermodulation distortion and record the result as the third order intermodulation distortion at 8 GHz.

Third order  
intermodulation distortion, 8 GHz \_\_\_\_\_ dBc

## **46a. Third Order Intermodulation Distortion: Agilent 8564E/EC, Agilent 8565E/EC**

### **Instrument Under Test**

Agilent 8564E/EC

Agilent 8565E/EC

### **Related Specification**

Third Order Intermodulation Distortion

### **Related Adjustment**

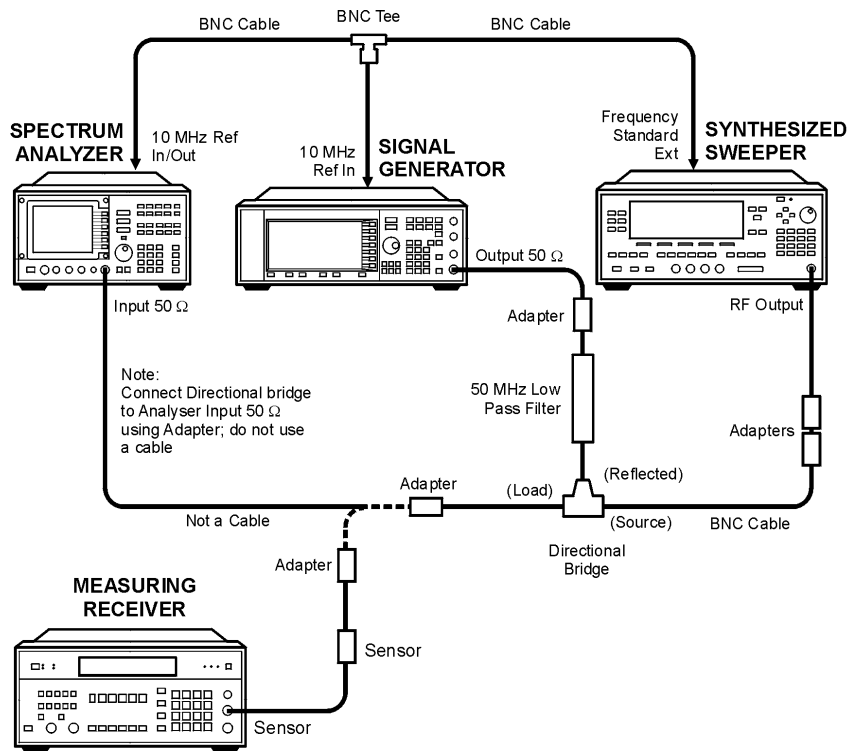
1st LO Distribution Amplifier Adjustment

### **Description**

Two synthesized sources provide the signals required for measuring third order intermodulation distortion. In the 30 Hz to 2.9 GHz band, a filter is used to attenuate the second harmonic of the signal closest to the distortion product being measured. A filter is not necessary in the preselected bands. The spectrum analyzer provides the 10 MHz reference for the synthesized sources.

Figure 8-34

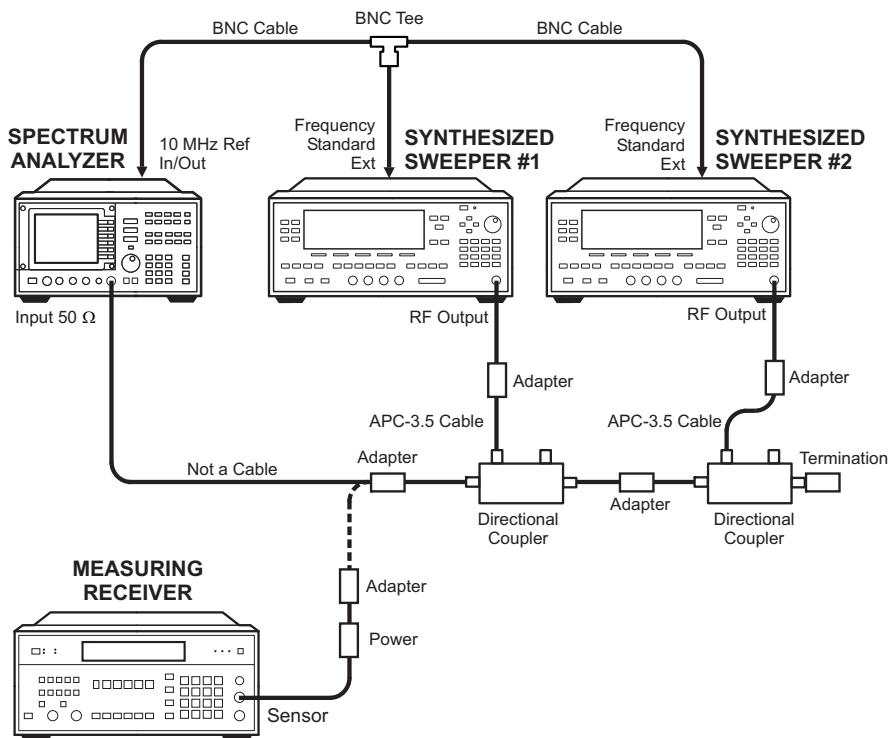
Third Order Intermodulation Test Setup (50 Hz to 2.9 GHz)



wj119c

Figure 8-35

Third Order Intermodulation Test Setup (2.75 GHz to 6.5 GHz)



wj113c



**46a. Third Order Intermodulation Distortion: Agilent 8564E/EC, Agilent 8565E/EC****Equipment**

Signal generator . . . . .	Agilent E4421B
Synthesized sweeper #1 . . . . .	Agilent 83640B
Synthesized sweeper #2 . . . . .	Agilent 83650A
Measuring receiver . . . . .	Agilent 8902A
Power sensor . . . . .	Agilent 8481A
Directional bridge . . . . .	Agilent 8721A
Directional coupler (2 <i>required</i> ) . . . . .	0955-0098
50 MHz low-pass filter . . . . .	0955-0306
50 $\Omega$ SMA termination . . . . .	1810-0118

**Adapters**

Type N (f) to APC 2.4mm (f) . . . . .	Agilent 11903B
Type N (m) to BNC (m) (2 <i>required</i> ) . . . . .	1250-1473
Type N (m) to BNC (f) . . . . .	1250-1476
Type N (f) to type N (f) . . . . .	1250-1472
Type N (m) to APC 3.5 (m) . . . . .	1250-1743
SMA (m) to SMA (m) . . . . .	1250-1159
BNC tee (m) (f) (f) . . . . .	1250-0781
APC 3.5 (f) to 2.4 mm (f) (2 <i>required</i> ) . . . . .	Agilent 11901B

**Cables**

BNC, 122 cm (48 in.) (4 <i>required</i> ) . . . . .	Agilent 10503A
APC 3.5, 91 cm (36 in.) (2 <i>required</i> ) . . . . .	8120-4291

## Procedure

### Third Order Intermodulation (< 2.9 GHz)

1. Connect the equipment as shown in [Figure 8-34](#), but do not connect the directional bridge to the spectrum analyzer.
2. Set the Agilent E4421B controls as follows:
  - Frequency . . . . . 45 MHz
  - Amplitude . . . . . -14 dBm
  - Amplitude increment . . . . . 0.04 dB
  - Output . . . . . 50  $\Omega$
3. Press **INSTR PRESET** on the Agilent 83640B and set the controls as follows:
  - CW frequency . . . . . 45.05 MHz
  - Power level . . . . . -110 dBm
  - Modulation . . . . . off
  - RF power . . . . . off
  - Frequency standard switch (rear panel) . . . . . EXT
4. On the Agilent 8902A, set the controls as follows:
  - Function . . . . . RF power
  - Log/linear . . . . . Log
5. Press **PRESET** on the spectrum analyzer. Set the controls as follows:
  - Center frequency . . . . . 45.0 MHz
  - Center frequency step . . . . . 50 kHz
  - Span . . . . . 1 kHz
  - Reference level . . . . . -20 dBm
  - Resolution BW . . . . . 10 Hz
6. Zero the Agilent 8902A/Agilent 8485A combination and calibrate the Agilent 8481A at 50 MHz as described in the Agilent 8902A Operation Manual.
7. Connect the power sensor to the output of the directional bridge using an adapter; do not use a cable.

**46a. Third Order Intermodulation Distortion: Agilent 8564E/EC, Agilent 8565E/EC**

8. Press **Amplitude** on the Agilent E4421B and use the increment  $\downarrow$  and  $\uparrow$  keys to adjust the amplitude for a  $-20 \text{ dBm} \pm 0.1 \text{ dB}$  reading on the Agilent 8902A display.
9. Disconnect the power sensor from the directional bridge. Connect the directional bridge directly to the spectrum analyzer input using an adapter, not a cable.
10. On the spectrum analyzer, press **PEAK SEARCH**, **MKR**  $\rightarrow$ , and **MARKER**  $\rightarrow$  **REF LVL**. Wait for completion of a new sweep. Press **MKR**, **MARKER DELTA**, **FREQUENCY**, and  $\uparrow$ .
11. On the HP 83640B, press **RF**, **ON**, **POWER LEVEL**,  $-14$ , and **dBm**.
12. On the spectrum analyzer, press **PEAK SEARCH**.
13. On the Agilent 83640B, adjust the power level for a  $\Delta\text{MKR}$  amplitude reading of  $0 \text{ dB} \pm 0.17 \text{ dB}$  on the spectrum analyzer.
14. On the spectrum analyzer, press **MKR**, **MARKER NORMAL**, **PEAK SEARCH**, **MARKER DELTA**, **FREQUENCY**,  $\downarrow$ , and  $\downarrow$ . Wait for completion of a new sweep. Press **PEAK SEARCH**.
15. Record the spectrum analyzer  $\Delta\text{MKR}$  amplitude reading below as the lower product suppression.

Lower product suppression \_\_\_\_\_ dBc

16. On the Agilent E4421B, press **FREQUENCY**,  $45.05$ , and **MHz**.
17. On the Agilent 83640B, press **CW**,  $45$ , and **MHz**.
18. On the spectrum analyzer, press **FREQUENCY**,  $\uparrow$ ,  $\uparrow$ , and  $\uparrow$ . Wait for completion of a new sweep. Press **PEAK SEARCH**.
19. Record the spectrum analyzer  $\Delta\text{MKR}$  amplitude reading below as the upper product suppression.

Upper product suppression \_\_\_\_\_ dBc

20. Between the upper and lower product suppressions recorded in steps 15 and 19 above, record the more positive suppression as the third order intermodulation distortion at 45 MHz.

Third order  
intermodulation distortion, 45 MHz \_\_\_\_\_ dBc

### Third Order Intermodulation (2.9 GHz to 6.46 GHz)

21. Connect the equipment as shown in [Figure 8-35](#), but do not connect the directional coupler to the spectrum analyzer. The spectrum analyzer provides the 10 MHz reference to the synthesized sweepers.
22. On the Agilent 83640B, press **INSTR PRESET**. Set the controls as follows:
  - Power level . . . . . 0 dBm
  - Modulation . . . . . off
  - RF power. . . . . off
  - Frequency standard switch (Rear Panel) . . . . .EXT
23. On the Agilent 83650A, press **PRESET**. Set the controls as follows:
  - Power level . . . . . 0 dBm
  - Modulation . . . . . off
  - RF power. . . . . off
24. On the Agilent 83640B, press **CW, 5, and GHz**.
25. On the Agilent 83650A, press **CW, 5.00005, and GHz**.
26. Enter the power sensor 5 GHz calibration factor into the Agilent 8902A.
27. On the spectrum analyzer, press **PRESET, RECALL, MORE 1 OF 2,** and **FACTORY PRSEL PK**. Set the controls as follows:
  - Center frequency . . . . .5.0 GHz
  - Reference level . . . . . -15 dBm
  - Span . . . . .10 kHz
  - Center frequency step . . . . .50 kHz
  - Resolution BW . . . . .300 Hz
  - Video average . . . . . off
28. Connect the power sensor to the directional coupler using an adapter; do not use a cable.
29. On the Agilent 83640B, press **RF, ON,** and **POWER LEVEL**. Adjust the power level for a  $-15 \text{ dBm} \pm 0.1 \text{ dB}$  reading on the Agilent 8902A display.

**46a. Third Order Intermodulation Distortion: Agilent 8564E/EC, Agilent 8565E/EC**

30. Disconnect the power sensor from the directional coupler. Connect the directional coupler to the spectrum analyzer INPUT 50  $\Omega$  using an adapter. Do not use a cable.
31. On the spectrum analyzer, press **PEAK SEARCH**, **AMPLITUDE**, **MORE 1 OF 3**, **MORE 2 OF 3**, and **PRESEL AUTO PK**. Wait for the **PEAKING** message to disappear. Press **SPAN**, 1, **kHz**, **BW**, 10, and **Hz**.
32. On the spectrum analyzer, press **PEAK SEARCH**, **MKR**  $\rightarrow$ , and **MARKER**  $\rightarrow$  **REF LVL**. Wait for completion of a new sweep. Press **MKR**, **MARKER DELTA**, **FREQUENCY**, and  $\uparrow$ .
33. On the Agilent 83650A, press **RF**, **ON**, and **POWER LEVEL**.
34. On the spectrum analyzer, press **PEAK SEARCH**.
35. On the Agilent 83650A, adjust the power level for a  $\Delta$ MKR amplitude reading of 0.0 dB  $\pm$ 0.17 dB on the spectrum analyzer.
36. On the spectrum analyzer, press **MKR**, **MARKER NORMAL**, **PEAK SEARCH**, **MARKER DELTA**, **FREQUENCY**, and  $\uparrow$ . Press **BW**, **VID AVG ON**, 5, **Hz**, **TRACE**, and **CLEAR WRITE A**. Wait until VAVG 5 is displayed above the graticule.
37. Press **SGL SWP** and wait for completion of a new sweep. Press **PEAK SEARCH**. Record the spectrum analyzer  $\Delta$ MKR amplitude reading below as the upper product suppression.
- Upper product suppression \_\_\_\_\_ dBc
38. On the spectrum analyzer, press **FREQUENCY**,  $\uparrow$ ,  $\uparrow$ , and  $\uparrow$ . Press **TRIG**, **SWEEP CONT**, **TRACE**, and **CLEAR WRITE A**. Wait until VAVG 5 is displayed above the graticule.
39. Press **SGL SWP** and wait for completion of a new sweep. Press **PEAK SEARCH**. Record the spectrum analyzer  $\Delta$ MKR amplitude reading below as the lower product suppression.
- Lower product suppression \_\_\_\_\_ dBc
40. Between the upper and lower product suppressions recorded in steps 37 and 39 above, record the more positive suppression as the uncorrected third order intermodulation distortion.

Uncorrected third order  
intermodulation distortion \_\_\_\_\_ dBc

**46a. Third Order Intermodulation Distortion: Agilent 8564E/EC, Agilent 8565E/EC**

41. The uncorrected third order intermodulation distortion represents the distortion with  $-25$  dBm at the input mixer. The distortion products with  $-30$  dBm at the input mixer will be 10 dB lower than the distortion products measured. Subtract 10 dB from the uncorrected third order intermodulation distortion and record the result as the third order intermodulation distortion at 5 GHz.

Third order  
intermodulation distortion, 5 GHz \_\_\_\_\_ dBc

**Third Order Intermodulation (>6.46 GHz)**

42. On the Agilent 83640B, press **CW**, **8, GHz**, **POWER LEVEL**, **0, dBm**, **RF**, and **OFF**.
43. On the Agilent 83650A, press **CW**, **8.00005, GHz**, **POWER LEVEL**, **0, dBm**, **RF**, and **OFF**.
44. Enter the power sensor 8 GHz calibration factor into the Agilent 8902A.
45. On the spectrum analyzer, press **PRESET**, **RECALL**, **MORE 1 OF 2**, and **FACTORY PRSEL PK**. Set the controls as follows:
- Center frequency . . . . . 8.0 GHz
  - Reference level . . . . .  $-15$  dBm
  - Span . . . . . 10 kHz
  - Center frequency step . . . . . 50 kHz
  - Resolution BW . . . . . 300 Hz
  - Video average . . . . . off
46. Disconnect the directional coupler from the spectrum analyzer. Connect the power sensor to the directional coupler using an adapter; do not use a cable.
47. On the Agilent 83640B, press **RF**, **ON**, and **POWER LEVEL**. Adjust the power level for a  $-15$  dBm  $\pm 0.1$  dB reading on the Agilent 8902A display.
48. Disconnect the power sensor from the directional coupler. Connect the directional coupler to the spectrum analyzer INPUT  $50 \Omega$  using an adapter. Do not use a cable.
49. On the spectrum analyzer, press **PEAK SEARCH**, **AMPLITUDE**, **MORE 1 OF 3**, **MORE 2 OF 3**, and **PRESEL AUTO PK**. Wait for the PEAKING message to disappear. Press **SPAN**, **1, kHz**, **BW**, **10**, and **HZ**.

**46a. Third Order Intermodulation Distortion: Agilent 8564E/EC, Agilent 8565E/EC**

50. On the spectrum analyzer, press **PEAK SEARCH**, **MKR** →, and **MARKER** → **REF LVL**. Wait for completion of a new sweep. Press **MKR**, **MARKER DELTA**, **FREQUENCY**, and ↑.
51. On the Agilent 83650A, press **RF**, **ON**, and **POWER LEVEL**.
52. On the spectrum analyzer, press **PEAK SEARCH**.
53. On the Agilent 83650A, adjust the power level for a  $\Delta$ MKR amplitude reading of 0.0 dB  $\pm$ 0.17 dB on the spectrum analyzer.
54. On the spectrum analyzer, press **MKR**, **MARKER NORMAL**, **PEAK SEARCH**, **MARKER DELTA**, **FREQUENCY**, and ↑. Press **BW**, **VID AVG ON**, **5**, **Hz**, **TRACE**, and **CLEAR WRITE A**. Wait until VAVG 5 is displayed above the graticule.

55. Press **SGL SWP** and wait for completion of a new sweep. Press **PEAK SEARCH**. Record the spectrum analyzer  $\Delta$ MKR amplitude reading below as the upper product suppression.

Upper product suppression \_\_\_\_\_ dBc

56. On the spectrum analyzer, press **FREQUENCY**, ↓, ↓, and ↓. Press **TRIG**, **SWEEP CONT**, **TRACE**, and **CLEAR WRITE A**. Wait until VAVG 5 is displayed above the graticule.
57. Press **SGL SWP** and wait for completion of a new sweep. Press **PEAK SEARCH**. Record the spectrum analyzer  $\Delta$ MKR amplitude reading below as the lower product suppression.

Lower product suppression \_\_\_\_\_ dBc

58. Between the upper and lower product suppressions recorded in steps 55 and 57 above, record the more positive suppression as the uncorrected third order intermodulation distortion.

Uncorrected third order  
intermodulation distortion \_\_\_\_\_ dBc

59. Subtract 10 dB from the uncorrected third order intermodulation distortion and record the result as the third order intermodulation distortion at 8 GHz.

Third order  
intermodulation distortion, 8 GHz \_\_\_\_\_ dBc

Using Performance Tests: 3335A Source not Available

**46a. Third Order Intermodulation Distortion: Agilent 8564E/EC, Agilent 8565E/EC**





## Safety Symbols

The following safety symbols are used throughout this manual. Familiarize yourself with each of the symbols and its meaning before operating this instrument.

---

### CAUTION

---

The *caution* sign denotes a hazard. It calls attention to a procedure which, if not correctly performed or adhered to, could result in damage to or destruction of the instrument. Do not proceed beyond a *caution* sign until the indicated conditions are fully understood and met.

---

### WARNING

---

**The *warning* sign denotes a hazard. It calls attention to a procedure which, if not correctly performed or adhered to, could result in injury or loss of life. Do not proceed beyond a *warning* sign until the indicated conditions are fully understood and met.**



The instruction document symbol. The product is marked with this symbol when it is necessary for the user to refer to the instructions in the manual.



The CE mark is a registered trademark of the European Community. (If accompanied by a year, it is when the design was proven.)



The CSA mark is a registered trademark of the Canadian Standards Association.

ISM1-A

This is a symbol of an Industrial Scientific and Medical Group 1 Class A product.



This symbol indicates that the input power required is AC.



This symbol is used to mark the ON position of the power line switch.



This symbol is used to mark the OFF position of the power line switch.

## General Safety Considerations

---

**WARNING**      *Before this instrument is switched on, make sure it has been properly grounded through the protective conductor of the ac power cable to a socket outlet provided with protective earth contact.*

*Any interruption of the protective (grounding) conductor, inside or outside the instrument, or disconnection of the protective earth terminal can result in personal injury.*

---

**WARNING**      *There are many points in the instrument which can, if contacted, cause personal injury. Be extremely careful.*

*Any adjustments or service procedures that require operation of the instrument with protective covers removed should be performed only by trained service personnel.*

---

**CAUTION**      *Before this instrument is switched on, make sure its primary power circuitry has been adapted to the voltage of the ac power source.*

*Failure to set the ac power input to the correct voltage could cause damage to the instrument when the ac power cable is plugged in.*

---

General Regulatory and Safety Information  
**General Safety Considerations**

---

**10**      **Using Performance Tests – Volume II**

## What You'll Find in This Chapter

These procedures test the electrical performance of the spectrum analyzer against the specifications. None of the test procedures requires removing the cover of the instrument. This chapter also provides instructions for using the Agilent 85629B test and adjustment module functional tests. The Agilent 85629B is not compatible with the Agilent 8564E/EC or Agilent 8565E/EC.

---

**NOTE** Performance tests 11–16, 34, 36–41, and 43–46 in this section use the Agilent 3335A Synthesized Level Generator. If an Agilent 3335A instrument is not available, see Chapter 8 of Volume I of the *Agilent Technologies 8560 E-Series and EC-Series Spectrum Analyzers Calibration Guide*, which provides performance tests which use alternate equipment.

---

## What Is Performance Verification?

The highest-level testing, called **performance verification**, verifies that the analyzer performance meets all specifications. Performance verification consists of executing all of the performance tests. It is time-consuming and requires extensive test equipment. [Table 10-1, on page 517](#) is a complete listing of those tests.

---

**NOTE** Refer to specifications listed in this manual for exact specifications for your model number spectrum analyzer.

---

## Performance Tests versus Operation Verification

Operation verification tests are a subset of performance tests and check only the most critical specifications of the analyzer. These tests are software controlled for the Agilent Technologies 8560 E-Series and EC-Series. They require much less time and equipment to run than doing all the performance verification tests.

Operation verification testing is recommended for verification of overall instrument operation, either as part of incoming inspection or after repair. Table 1-1 in Chapter 1, Volume I, of the *Agilent Technologies 8560 E-Series and EC-Series Spectrum Analyzers Calibration Guide* lists the performance test and test equipment used for operation verification.

## Before You Start

There are three things you must do *before* starting performance verification or operation verification:

1. Switch the analyzer on and let it warm up in accordance with warm-up requirements in the specifications chapter.
2. After the analyzer has warmed up as specified, perform “Trace Alignment Procedure and Reference Level Calibration” in the user's guide.
3. Read the rest of this section before you start any of the tests.

## Test Equipment You'll Need

Table 10-4 lists the recommended test equipment for the performance tests. Any equipment that meets the critical specifications given in the table can be substituted for the recommended model (s). The table also lists the recommended equipment for the analyzer adjustment procedures. The adjustment procedures are located in the service guide.

## Recording Test Results

Record test results in the performance test record located in [Chapter 11](#) . The test record lists test specifications and acceptable limits. We recommend that you make a copy of this table, record the complete test results on the copy, and keep the copy for your calibration test record. This record could prove invaluable in tracking gradual changes in test results over long periods of time.

## If the Analyzer Doesn't Meet Specifications

If the analyzer doesn't meet one or more of the specifications during testing, complete any remaining tests and record all test results on a copy of the test record. Refer to the user's guide chapter “If You Have A Problem”. If an error message is displayed, press **PRESET CAL**, and select **REALIGN LO & IF**. If the error message persists after the automatic RF, LO, and IF adjustments are completed, refer to the troubleshooting information in the user's guide.

## Calibration Cycle

The performance tests should be used to check the spectrum analyzer against its specifications every two years for the Agilent 8560E/EC, Agilent 8561E/EC, Agilent 8562E/EC, and Agilent 8563E/EC, and every one year for the Agilent 8564E/EC and Agilent 8565E/EC.

The frequency reference must be adjusted and checked at the same time. Refer to the “10 MHz Frequency Reference Adjustment” in the service guide.



**Table 10-1 Required Performance Tests**

Test	Agilent 8560E/ECn ote 1	Agilent 8561E/EC	Agilent 8562E/EC	Agilent 8563E/EC	Agilent 8564E/EC	Agilent 8565E/EC
1. 10 MHz Ref Output Accuracy (non-Option 103)	√	√	√	√	√	√
2. 10 MHz Ref Output Accuracy (Option 103)	note 2	note 2	note 2	note 2	note 2	note 2
3. Fast Sweep Time Accuracy (all EC-Series and E-Series, Option 007 instruments)	note 3	note 3	note 3	note 3	note 3	note 3
4. Calibrator Amplitude Accuracy	√	√	√	√	√	√
5. Displayed Average Noise Level	√					
6. Displayed Average Noise Level		√				
7. Displayed Average Noise Level			√			
8. Displayed Average Noise Level				√		
9. Displayed Average Noise Level					√	
10. Displayed Average Noise Level						√
11. Resolution Bandwidth Switching and IF Alignment Uncertainty	√	√	√	√	√	√
12. Resolution Bandwidth Accuracy and Selectivity	√	√	√	√	√	√
13. Input Attenuator Switching Uncertainty	√	√	√	√		
14. Input Attenuator Switching Uncertainty					√	√
15. IF Gain Uncertainty	√	√	√	√	√	√
16. Scale Fidelity	√	√	√	√	√	√
17. Residual FM	√	√	√	√	√	√
18. Noise Sidebands	note 4	note 4		note 4		
19. Noise Sidebands	√	√	√	√	√	√
20. Image, Multiple, and Out-of-Range Responses	√					
21. Image, Multiple, Out-of-Band, and Out-of-Range Responses		√				
22. Image, Multiple, Out-of-Band, and Out-of-Range Responses			√			
23. Image, Multiple, and Out-of-Band Responses				√		

**Table 10-1 Required Performance Tests (Continued)**

Test	Agilent 8560E/ECn ote 1	Agilent 8561E/EC	Agilent 8562E/EC	Agilent 8563E/EC	Agilent 8564E/EC	Agilent 8565E/EC
24. Image, Multiple, and Out-of-Band Responses					√	
25. Image, Multiple, and Out-of-Band Responses						√
26. Frequency Readout/Frequency Count Marker Accuracy	√					
27. Frequency Readout/Frequency Count Marker Accuracy		√				
28. Frequency Readout/Frequency Count Marker Accuracy			√			
29. Frequency Readout/Frequency Count Marker Accuracy				√		
30. Frequency Readout/Frequency Count Marker Accuracy					√	
31. Frequency Readout/Frequency Count Marker Accuracy						√
32. Pulse Digitization Uncertainty	√	√	√	√	√	√
33. Second Harmonic Distortion	√					
34. Second Harmonic Distortion		√				
35. Second Harmonic Distortion			√	√	√	√
36. Frequency Response	√					
37. Frequency Response		√				
38. Frequency Response			√			
39. Frequency Response				√		
40. Frequency Response					√	
41. Frequency Response						√
42. Frequency Span Accuracy	√	√	√	√	√	√
43. Third Order Intermodulation Distortion	√					
44. Third Order Intermodulation Distortion		√				
45. Third Order Intermodulation Distortion			√	√		
46. Third Order Intermodulation Distortion					√	√
47. Gain Compression	√					
48. Gain Compression		√				
49. Gain Compression			√	√		
50. Gain Compression					√	√
51. 1st LO OUTPUT Amplitude	√					
52. 1st LO OUTPUT Amplitude		√	√	√	√	√

**Table 10-1 Required Performance Tests (Continued)**

Test	Agilent 8560E/ECn ote 1	Agilent 8561E/EC	Agilent 8562E/EC	Agilent 8563E/EC	Agilent 8564E/EC	Agilent 8565E/EC
53. Sweep Time Accuracy	√	√	√	√	√	√
54. Residual Responses	√					
55. Residual Responses		√				
56. Residual Responses			√	√	√	√
57. IF INPUT Amplitude Accuracy	note 5	√	note 5	√	√	√
58. Gate Delay Accuracy and Gate Length Accuracy	√	√	√	√	√	√
59. Delayed Sweep Accuracy	√	√	√	√	√	√
1. Also perform the tests listed in <a href="#">Table 10-2</a> for instruments with Option 002. 2. Instruments with Option 103 use this test. Non-Option 103 instruments use test number 1. 3. EC-Series and Option 007 E-Series instruments use this test. 4. This test is used only for older 8560E/EC, Agilent 8561E/EC, and Agilent 8563E/EC spectrum analyzers. 5. Not required for instruments with Option 002 or Option 327.						

**Table 10-2 Additional Required Tests**

<b>8560E/EC (Option 002) Tests</b>
60. Tracking Generator Level Flatness
61. Absolute Amplitude and Vernier Accuracy
62. Maximum Leveled Output Power
63. Power Sweep Range
64. RF Power Off Residuals
65. Harmonic Spurious Outputs
66. Non-Harmonic Spurious Outputs
67. LO Feedthrough Amplitude
68. Tracking Generator Feedthrough
69. Frequency Tracking Range
70. Tracking Generator Frequency Accuracy

## Agilent 85629B Functional Tests

The Agilent 85629B test and adjustment module (TAM) can be used to perform several automatic functional tests on the spectrum analyzer. These tests provide increased confidence in analyzer operation while requiring very little equipment or operator attention. Hard-copy results are possible with a GPIB printer. Because these functional tests have greater measurement uncertainties than their related performance tests, they should not be used as part of a calibration. The greater measurement uncertainties in the TAM functional tests are a result of the limited set of test equipment.

Table 10-3 lists the functional tests, their corresponding performance tests, and the types of test equipment required for each test. The recommended test equipment for the functional tests is indicated in Table 10-4 by the letter “M” in the “Use” column.

### Spectrum Analyzer/TAM Compatibility

The Agilent 85629B is not compatible with the Agilent 8564E/EC and Agilent 8565E/EC. The Agilent 8562E//TAM Interface Software provides limited TAM compatibility with the Agilent 8562E/EC. This software is available with Option 915 (add Service Documentation), and uses the same controller required by the Operation Verification Software described “Getting Started” in Chapter 1, of Volume I, of the calibration guide. A firmware note that provides compatibility information is supplied with each spectrum analyzer and TAM. Refer to this note to determine which tests are valid for a particular version of TAM firmware.

**Table 10-3**

**TAM Functional Tests**

<b>Functional Tests</b>	<b>Corresponding Performance Test</b>	<b>Equipment Required</b>
Noise Sidebands	18, 19	None
Residual FM	17	None
IF Gain Uncertainty	15	Source
Scale Fidelity	16	Source
Input Attenuator Switching Uncertainty	13, 14	Source
Frequency Marker Accuracy	26 through 31	Source
Image, Multiple, and Out-of-Range Responses	20 through 25	Source
RES BW Accuracy and Selectivity	11, 12	Source
2nd Harmonic Distortion	33, 34, 35	Source, 50 MHz LPF
Frequency Span Accuracy	42	Source
Gain Compression	47, 48, 49, 50	Source
Third Order Intermodulation Distortion	43, 44, 45, 46	Source
Frequency Response	36 through 41	Source, power meter
1st LO OUTPUT Amplitude	51, 52	Power meter
Displayed Average Noise	5 through 10	50 $\Omega$ termination
Residual Responses	54, 55, 56	50 $\Omega$ termination

## Running the Functional Tests

Connect the test and adjustment module (TAM) to the rear panel of the spectrum analyzer. The instrument should be allowed to warm up for at least 5 minutes before running any functional test. Perform the following steps to run the tests:

**CAUTION**

The spectrum analyzer power must be turned OFF before removing or installing a TAM or any option module. If the spectrum analyzer is powered ON during removal or installation, damage will result.

1. Perform a REF LVL CAL (reference level calibration), as described in the user's guide, before continuing.
2. Press **MODULE** to access the TAM main menu. If any error message appears, refer to the “Error Messages” section of the *Test and Adjustment Module Manual*. Error messages are displayed either in one of the corners of the screen, at the bottom line of the main menu, or in the active function block.

**NOTE**

The Agilent 5629B TAM is not compatible with the Agilent 8564E/EC and Agilent 8565E/EC. Software is necessary to use the Agilent 85629B TAM with the Agilent 8562E/EC Spectrum Analyzer.

3. Press **Config** to access the configuration menu. Verify that the TAM is properly configured and the test equipment is properly connected to GPIB. Refer to the “System Configuration Menu” section of the *Test and Adjustment Module Manual* for more configuration information. If a printer is configured and available, functional test results may be sent to the printer instead of the screen. If everything is properly configured, return to the main menu and press **Test**.
4. Pressing **All Test** executes all the tests listed in the order they appear. To perform an individual test, rotate the knob to locate the arrow beside the desired test. Press **Execute**.
5. Use the **Repeat** operation to find suspected intermittent problems. If a GPIB printer is configured and connected, **Repeat** activates the selected test continuously until you press **ABORT**. The results are sent to the printer. If a printer is unavailable, the **Repeat** mode pauses at the end of each test to display test results, then continues after you press **RETURN**. This sequence continues until you press **ABORT**.

**Table 10-4 Recommended Test Equipment**

Instrument	Critical Specifications for Equipment Substitution	Recommended Model	Use
Sources			

**Table 10-4 Recommended Test Equipment (Continued)**

Instrument	Critical Specifications for Equipment Substitution	Recommended Model	Use
Synthesized sweeper	Frequency range: 8560E/EC, 10 MHz to 12.0 GHz Agilent 8561E/EC, 10 MHz to 12.0 GHz Agilent 8562E/EC, 10 MHz to 13.2 GHz Agilent 8563E/EC, 10 MHz to 26.5 GHz Frequency accuracy (CW): $1 \times 10^{-9}$ /day Leveling modes: Internal & External Modulation modes: AM & Pulse Power level range: -80 to +16 dBm	Agilent 8340A/B* Agilent 83630A Opt 001, 008	P,A,T,M, V
Synthesized sweeper <i>(for Agilent 8564E/EC and                      Agilent 8565E/EC)</i>	Frequency range: Agilent 8564E/EC, 10 MHz to 40.0 GHz Agilent 8565E/EC, 10 MHz to 50.0 GHz Frequency accuracy (CW): $1 \times 10^{-9}$ /day Leveling mode: Internal Power level range: -35 to +16 dBm	Agilent 83650A Opt 001, 008	P,A,T,V
Synthesizer/level generator	Frequency range: 200 Hz to 80 MHz Frequency accuracy: $1 \times 10^{-7}$ /month Flatness: $\pm 0.15$ dB Attenuator accuracy: $< \pm 0.09$ dB External 10 MHz reference input Frequency resolution: 1 Hz	Agilent 3335A*	P,A,T,M, V
Synthesized signal generator	Frequency range: 100 kHz to 2.5 GHz Residual SSB phase noise at 1 GHz: $< -73$ dBc/Hz at 10 Hz offset $< -107$ dBc/Hz at 1 kHz offset $< -124$ dBc/Hz at 10 kHz offset $< -124$ dBc/Hz at 100 kHz offset	Agilent 8663A	P,V



**Table 10-4 Recommended Test Equipment (Continued)**

<b>Instrument</b>	<b>Critical Specifications for Equipment Substitution</b>	<b>Recommended Model</b>	<b>Use</b>
Pulse/function generator	Frequency range: 10 kHz to 50 MHz Pulse width: 200 ns; Output amplitude: 5 V peak-to-peak Functions: pulse & triangle Pulse rise time: <100 ns TTL sync output	Agilent 8116A	P,A
AM/FM signal generator	Frequency range: 1 MHz to 200 MHz Frequency modulation mode Modulation oscillator frequency: 1 kHz FM peak deviation: 5 kHz	Agilent 8640B Agilent 8642A	A
<b>Counters</b>			
Frequency standard	Output frequency: 10 MHz Accuracy: $<1 \times 10^{-10}$	Agilent 5061B	P,A
Microwave frequency counter	Frequency range: 9 MHz to 7 GHz External frequency reference input Timebase accuracy (aging): $<5 \times 10^{-10}$ /day	Agilent 5343A <i>OR</i> Agilent 5350B* Option 001	P,A,T,M, V
Universal counter	Modes: TI A→B, frequency count Time interval measurement range: 100 ns to 120 s Frequency count range: 400 Hz to 11 MHz Frequency resolution: 1 mHz Timebase accuracy (aging): $<3 \times 10^{-7}$ /month External 10 MHz reference input	Agilent 5334A/B	P

**Table 10-4 Recommended Test Equipment (Continued)**

Instrument	Critical Specifications for Equipment Substitution	Recommended Model	Use
<b>Receivers</b>			
Spectrum analyzer <i>(for 8560E/EC (Option 002))</i>	Frequency range: 300 kHz to 7 GHz Relative amplitude accuracy: 300 kHz to 2.7 GHz: <±1.8 dB 300 kHz to 7 GHz: <±4.0 dB Absolute amplitude accuracy: 3.9 GHz to 6.9 GHz: <±2.7 dB Frequency accuracy: <±10 kHz at 7 GHz	Agilent 8566B*	P,A,T
Spectrum analyzer	Frequency range: 300 kHz to 7 GHz Amplitude range: –70 dBm to +20 dBm	Agilent 8566B*	A,T
Measuring receiver	Compatible w/power sensors dB relative mode Resolution: 0.01 dB Reference accuracy: <±1.2%	Agilent 8902A*	P,A,T,M, V
<b>Sensors</b>			
Power sensor <i>(for 8560E/EC, Agilent 8561E/EC or Agilent 8562E/EC)</i>	Frequency range: 10 MHz to 13.2 GHz Maximum SWR: 1.40 (10 to 30 MHz) 1.18 (30 to 50 MHz) 1.10 (50 MHz to 2 GHz) 1.18 (2 to 13.2 GHz)	Agilent 8481A*	P,A,T,M, V
Power sensor	Frequency range: 250 MHz to 350 MHz Power range: 100 nW to 10 µW Maximum SWR: 1.15 (250 to 350 MHz)	Agilent 8481D	P,A
Power sensor	Frequency range: 100 kHz to 2.9 GHz Maximum SWR: 1.1 (1 MHz to 2.0 GHz) 1.30 (2.0 GHz to 2.9 GHz)	Agilent 8482A*	P,A,T, M,V

**Table 10-4 Recommended Test Equipment (Continued)**

Instrument	Critical Specifications for Equipment Substitution	Recommended Model	Use
Power sensor <i>(for Agilent 8563E/EC)</i>	Frequency range: 50 MHz to 26.5 GHz Maximum SWR: 1.15 (50 to 100 MHz) 1.10 (100 MHz to 2 GHz) 1.15 (2.0 to 12.4 GHz) 1.20 (12.4 to 18 GHz) 1.25 (18 to 26.5 GHz)	Agilent 8485A*	P,A,T, M,V
Power sensor <i>(for Agilent 8564E/EC and Agilent 8565E/EC)</i>	Frequency range: 50 MHz to 50 GHz Maximum SWR: 1.15 (50 to 100 MHz) 1.10 (100 MHz to 2 GHz) 1.15 (2.0 to 12.4 GHz) 1.20 (12.4 to 18 GHz) 1.25 (18 to 26.5 GHz) 1.30 (26.5 to 40 GHz) 1.50 (40 to 50 GHz)	Agilent 8487A	P,V
<b>Other Equipment</b>			
Controller	Required to run operation verification software. No substitute.	Agilent 9816A, Agilent 9836A/C, Agilent 310, 320 Agilent 332, 360	V
Oscilloscope	Bandwidth (3 dB): dc to 100 MHz Two channels Minimum vertical deflection factor: $\leq 5$ mV/div Minimum timebase setting: <100 ns Digitizing display with time cursors Delta-t cursor accuracy in 500 ns/Div: <0.1 $\mu$ s	Agilent 54501A*	P,A,T

**Table 10-4 Recommended Test Equipment (Continued)**

Instrument	Critical Specifications for Equipment Substitution	Recommended Model	Use
Amplifier	Frequency range: 8560E/EC, 2.0 to 2.9 GHz Agilent 8561E/EC, 2.0 to 6.5 GHz Agilent 8562E/EC, 2.0 to 8.0 GHz Agilent 8563E/EC, 2.0 to 8.0 GHz Agilent 8564E/EC, 2.0 to 8.0 GHz Agilent 8565E/EC, 2.0 to 8.0 GHz Minimum output power (leveled) 2.0 to 8.0 GHz: +16 dBm Output SWR (leveled): <1.7	Agilent 11975A	P
Power supply	Output voltage: $\geq 24$ Vdc Output voltage accuracy: $\leq \pm 0.2$ V	Agilent 6114A	A
Signature multimeter	Clock frequency >10 MHz Time interval function	Agilent 5005A/B	T
Digital voltmeter	Range: -15 Vdc to +120 Vdc Accuracy: $\leq \pm 1$ mV on 10 V range Input impedance: $\geq 1$ M $\Omega$	Agilent 3456A*	A,T
<b>Probes</b>			
DVM test leads	$\geq 36$ inches, alligator clips, probe tips	Agilent 34118A	A,T
High frequency probe	No substitute	Agilent 85024A	T
<b>Accessories</b>			
Directional bridge	Frequency range: 1 to 80 MHz Coupling: 6 dB (nominal) Maximum coupling deviation: <1 dB (nominal) Directivity: 40 dB minimum Impedance: 50 $\Omega$ (nominal)	Agilent 8721A	P

**Table 10-4 Recommended Test Equipment (Continued)**

Instrument	Critical Specifications for Equipment Substitution	Recommended Model	Use
Directional coupler  <i>(for Agilent 8561E/EC)</i>  <i>(two required)</i>	Frequency range: 2.0 to 6.5 GHz Coupling: 16.0 dB (nominal) Maximum coupling deviation: $\pm 1$ dB (nominal) Directivity: 14 dB minimum Flatness: 0.75 dB maximum VSWR: <1.45 Insertion loss: <1.3 dB	0955-0098	P
Directional coupler  <i>(for Agilent 8562E/EC, Agilent 8563E/EC, Agilent 8564E/EC, and Agilent 8565E/EC)</i>  <i>(two required)</i>	Frequency range: 2.0 to 8.1 GHz Coupling: 16.0 dB (nominal) Maximum coupling deviation: $\pm 1$ dB (nominal) Directivity: 14 dB minimum Flatness: 0.75 dB maximum VSWR: <1.45 Insertion loss: <1.3 dB	0955-0098	P
10 dB step attenuator	Attenuation range: 30 dB Frequency range: dc to 80 MHz Connectors: BNC (f)	Agilent 355D	P,V
1 dB step attenuator	Attenuation range: 12 dB Frequency range: dc to 80 MHz Connectors: BNC (f)	Agilent 355C	P,V
20 dB fixed attenuator	Frequency range: dc to 18 GHz Attenuation accuracy: $<\pm 1$ dB Maximum SWR: 1.2 (dc to 2.9 GHz)	Agilent 8491B Option 020	P,V
10 dB fixed attenuator	Frequency range: dc to 18 GHz Attenuation accuracy: $<\pm 0.6$ dB Maximum SWR: 1.2 (dc to 2.9 GHz)	Agilent 8491B Option 010	P,V
Reference attenuator	Supplied with Agilent 8481D	Agilent 11708A	P,A
Termination <i>(for 8560E/EC)</i>	Frequency range: dc to 2.9 GHz Impedance: 50 $\Omega$ Maximum SWR: <1.10 Connector: Type N (m)	Agilent 908A	P,M,V

**Table 10-4 Recommended Test Equipment (Continued)**

Instrument	Critical Specifications for Equipment Substitution	Recommended Model	Use
Termination ( <i>for</i> Agilent 8561E/EC)	Frequency range: dc to 6.5 GHz Impedance: 50 $\Omega$ Maximum SWR: <1.10 Connector: Type N (m)	Agilent 909A	P,M,V
Termination ( <i>for</i> Agilent 8562E/EC)	Frequency range: dc to 13.2 GHz Impedance: 50 $\Omega$ Maximum SWR: <1.10 Connector: Type N (m)	Agilent 909A	
Termination ( <i>for</i> Agilent 8563E/EC)	Frequency range: dc to 26.5 GHz Impedance: 50 $\Omega$ Maximum SWR: <1.22 Connector: APC 3.5	Agilent 909D Option 012	P,M,V
Termination ( <i>for</i> Agilent 8564E/EC and Agilent 8565E/EC)	Frequency range: dc to 50 GHz Impedance: 50 $\Omega$ Maximum SWR: <1.22 Connector: 2.4 mm (f)	Agilent 85138B	P,V
Low-pass filter	Cutoff frequency: 50 MHz Rejection at 65 MHz: >40 dB Rejection at 75 MHz: >60 dB	0955-0306	P,M,V
Low-pass filter <i>(two required for</i> Agilent 8562E/EC, Agilent 8563E/EC, Agilent 8564E/EC, and Agilent 8565E/EC)	Cutoff frequency: 1.8 GHz Rejection at >3 GHz: >45 dB 0.1 dB ripple	0955-0491	P
Low-pass filter <i>(two required for</i> Agilent 8561E/EC, Agilent 8562E/EC, Agilent 8563E/EC, Agilent 8564E/EC, and Agilent 8565E/EC)	Cutoff frequency: 4.4 GHz Rejection at 5.5 GHz: >40 dB	Agilent 11689A RLC F-2643 Agilent 9135-0005	P

**Table 10-4 Recommended Test Equipment (Continued)**

<b>Instrument</b>	<b>Critical Specifications for Equipment Substitution</b>	<b>Recommended Model</b>	<b>Use</b>
Power splitter <i>(for 8560E/EC or Agilent 8561E/EC)</i>	Frequency range: 1 kHz to 12 GHz Insertion loss: 6 dB (nominal) Output tracking: <0.25 dB Equivalent output SWR: <1.22	Agilent 11667A	P,A,M,V
Power splitter <i>(for Agilent 8562E/EC)</i>	Frequency range: dc to 13.2 GHz Output tracking: <0.25 dB Insertion loss: 6 dB (nominal) Equivalent output SWR: <1.22	Agilent 11667B	
Power splitter <i>(for Agilent 8563E/EC)</i>	Frequency range: 1 kHz to 26.5 GHz Insertion loss: 6 dB (nominal) Output tracking: <0.25 dB, <18 GHz Equivalent output SWR: <1.22	Agilent 11667B	P,A,M,V
Power splitter <i>(for Agilent 8564E/EC and Agilent 8565E/EC)</i>	Frequency range: 30 Hz to 50 GHz Insertion loss: 6 dB (nominal) Output tracking: <0.35 dB, <26.5 GHz <0.40 dB, <50 GHz Equivalent output SWR: 1.29, <26.5 GHz 1.50, <40 GHz 1.65, <50 GHz	Agilent 11667C	P,A,V,T
Service accessory kit	No substitute	08562-60021	A,T
Tuning tool	No substitute	8710-1010	A
<b>Cables</b>			
Test cable	Connectors: BNC (m)-to-SMB (f) Length: ≥61 cm (24 in.)	85680-60093	A,M
Cable, RG-214/U	Connectors: Type N (m) Length: ≥91 cm (36 in.)	Agilent 11500A	P,V
Cable	Connectors: SMA (m) Length: 24 to 36 inches	8120-1578	P
Cable, 50 Ω coaxial <i>(five required)</i>	Connectors: BNC (m) Length: ≥ 122 cm (48 in.)	Agilent 10503A	P,A,V

**Table 10-4 Recommended Test Equipment (Continued)**

<b>Instrument</b>	<b>Critical Specifications for Equipment Substitution</b>	<b>Recommended Model</b>	<b>Use</b>
Cable <i>(two required)</i>	Frequency range: 30 Hz to 26.5 GHz Maximum SWR: <1.4 at 26.5 GHz Maximum insertion loss: 3 dB Connectors: APC 3.5 (m), both ends Length: ≥ 61 cm (24 in.)	8120-4921	P,A,M,V
Cable <i>(for Agilent 8564E/EC and Agilent 8565E/EC)</i>	Frequency range: 30 Hz to 50 GHz Maximum SWR: <1.55 at 50 GHz Maximum insertion loss: 5.75 dB Connectors: 2.4 mm (f) to 2.4 mm (m) Length: ≥ 1 m (39 in.)	8120-6164	P,A,V,T
Cable, GPIB <i>(eight required)</i>	Required w/operation verification software Required w/Agilent 85629B test & adjustment module Length: 2 m (6.6 ft.)	Agilent 10833B	P,A,M
<b>Adapters</b>			
Adapter	Type N (f)-to-BNC (m)	1250-1477	P,A
Adapter <i>(three required)</i>	Type N (m)-to-BNC (f)	1250-1476	P,A,V
Adapter	Type N (f)-to-BNC (f)	1250-1474	P,V
Adapter	Type N (m)-to-N (m)	1250-1475	P
Adapter	Type N (f)-to-APC 3.5 (m)	1250-1750	A
Adapter <i>(two required)</i>	Type N (m)-to-APC 3.5 (m)	1250-1743	P,M,V
Adapter	Type N (m)-to-APC 3.5 (f)	1250-1744	P,V
Adapter	Type N (m)-to-BNC (m)	1250-1473	P
Adapter	Type N (m)-to-N (f)	1250-1472	P
Adapter <i>(two required)</i>	Type N (f)-to-APC 3.5 (f)	1250-1745	P,V
Adapter <i>(two required)</i>	Type N (m)-to-SMA (f)	1250-1250	P,V
Adapter	Type N (f)-to-SMA (f)	1250-1772	P



**Table 10-4 Recommended Test Equipment (Continued)**

<b>Instrument</b>	<b>Critical Specifications for Equipment Substitution</b>	<b>Recommended Model</b>	<b>Use</b>
Adapter	BNC (f)-to-BNC (f)	1250-0059	A
Adapter	BNC tee (f) (m) (f)	1250-0781	P,A,M,V
Adapter	BNC (f)-to-SMA (m)	1250-1200	P,A,V
Adapter	BNC (f)-to-dual banana plug	1251-2816	A,T
Adapter <i>(two required)</i>	APC 3.5 (f)-to-APC 3.5 (f)	5061-5311	P,M,V
Adapter <i>(two required)</i>	APC 3.5 (m)-to-APC 3.5 (m)	1250-1748	P,V
Adapter	2.4 mm (f)-to-2.4 mm (f)	Agilent 11900B	P,A,T,V
Adapter	APC 3.5 (f)-to-2.4 mm (f)	Agilent 11901B	P
Adapter	APC 3.5 (m)-to-2.4 mm (f)	Agilent 11901D	P
Adapter	Type N (f)-to-2.4 mm (f)	Agilent 11903B	P,A,T,V
Adapter	Type N (f)-to-2.4 mm (m)	Agilent11903C	P
<p>* Part of microwave workstation                      P = performance tests; A = adjustments; M = test &amp; adjustment module; T = troubleshooting;                      V = operation verification</p>			

## 1. 10 MHz Reference Output Accuracy

### Instrument Under Test

All Agilent 8560 E-Series and EC-Series

#### NOTE

If the spectrum analyzer has Option 103, this test is not applicable. Instead, perform test “2. 10 MHz Reference Output Accuracy (Option 103),” on page 538.

### Related Specification

Frequency Reference Accuracy

### Related Adjustment

10 MHz Frequency Reference Adjustment (non-Option 103)

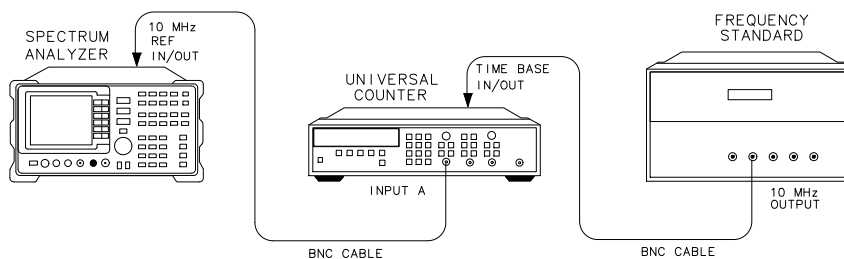
### Description

This test measures the warmup characteristics of the 10 MHz reference oscillator. The ability of the 10 MHz oscillator to meet its warmup characteristics gives a high level of confidence that it also meets its yearly aging specification.

The analyzer is turned off and cooled for 60 minutes. A frequency counter is connected to the 10 MHz REF IN/OUT and a frequency measurement is made 5 minutes after turning the analyzer on. The frequency measurement is recorded. Another frequency measurement is made 10 minutes later (15 minutes after turning the analyzer on) and the measurement is recorded. A final frequency measurement is made 60 minutes after the analyzer is turned on. The difference between each of the first two measurements and the final measurement is calculated and the results are recorded.

Figure 10-1

Frequency Reference Accuracy Test Setup (Standard)



dp13e

### Equipment

Microwave frequency counter . . . . . Agilent 5334A/B

10 MHz frequency standard . . . . . Agilent 5061B  
‘Cesium beam standard (or any 10 MHz frequency  
standard with accuracy  $<\pm 1 \times 10^{-10}/\text{day}$ )

**Cable**

BNC, 122 cm (48 in.) (2 required) . . . . . Agilent 10503A

**Procedure**

---

**NOTE**

---

To simulate a cold start adequately, the spectrum analyzer must have been allowed to sit at room temperature, with power off, at least 60 minutes before beginning this test.

1. After a 60 minute cool-down with power off, connect the equipment as shown in [Figure 10-1](#).
2. Set the spectrum analyzer line switch to ON. Record the power-on time below. If an X is displayed to the left side of the display, press **PRESET**, then record the current time as the power-on time. An X denotes that the analyzer is in external frequency reference mode (internal oscillator is turned off). Pressing **PRESET** sets the analyzer to the internal frequency reference.

Power-on time (hours/minutes/seconds): \_\_\_\_\_

3. Set the frequency counter controls as follows:

Function/data . . . . . Frequency A  
Input A  
×10 Attenuation . . . . . off  
AC . . . . . off  
50 Ω . . . . . off  
Automatic trigger. . . . . on  
100 kHz filter A . . . . . off

4. On the frequency counter, select a 10-second gate time by pressing **GATE TIME**, 10, **GATE TIME**. Offset the displayed frequency –10 MHz by pressing **MATH**, **SELECT/ENTER**, **CHS/EEX**, 10, **CHS/EEX**, 6. Press **SELECT/ENTER** and **SELECT ENTER**. The frequency counter should now display the difference between the INPUT A signal and 10.0 MHz with 0.001 Hz resolution.

1. 10 MHz Reference Output Accuracy

- 5. Perform the next step 5 minutes after the power-on time recorded in step 2.
- 6. Wait at least two gate times for the frequency counter to settle. Record the frequency counter reading below as reading #1 with 0.001 Hz resolution.

Reading #1: \_\_\_\_\_ Hz

- 7. Proceed with the next step 15 minutes after the power-on time recorded in step 2.
- 8. Record the frequency counter reading below as reading #2 with 0.001 Hz resolution.

Reading #2: \_\_\_\_\_ Hz

- 9. Perform the next step 60 minutes after the power-on time recorded in step 2. During this waiting period, other performance tests may be executed, under the following conditions:
  - a. The analyzer is powered on at all times.
  - b. The analyzer is always at room temperature.
  - c. The analyzer is never placed in EXT REFERENCE mode.

10. Connect the equipment as shown in Figure 10-1.

11. Set the frequency counter controls as follows:

Function/data ..... Frequency A  
Input A  
×10 Attenuation ..... off  
AC ..... off  
50 Ω ..... off  
Automatic trigger ..... on  
100 kHz filter A ..... off

12. On the frequency counter, select a 10-second gate time by pressing **GATE TIME**, 10, **GATE TIME**. Offset the displayed frequency –10 MHz by pressing **MATH**, **SELECT/ENTER**, **CHS/EEX**, 10, **CHS/EEX**, 6. Press **SELECT/ENTER** and **SELECT/ENTER**. The frequency counter should now display the difference between the INPUT A signal and 10.0 MHz with 0.001 Hz resolution.

13. Wait at least two gate times for the frequency counter to settle. Record the frequency counter reading below as reading #3 with 0.001 Hz resolution.

Reading #3: \_\_\_\_\_ Hz

14. Calculate the 5-minute warmup error by subtracting reading #3 from reading

#1 and dividing the result by 10 MHz.

$$\text{5-minute warmup error} = (\text{reading \#1} - \text{reading \#3}) / 1 \times 10^7 \text{ Hz}$$

5-minute warmup error: \_\_\_\_\_

15. Calculate the 15-minute warmup error by subtracting reading #3 from reading #2 and dividing the result by 10 MHz.

$$\text{15-minute warmup error} = (\text{reading \#2} - \text{reading \#3}) / 1 \times 10^7 \text{ Hz}$$

15-minute warmup error: \_\_\_\_\_

---

## 2. 10 MHz Reference Output Accuracy (Option 103)

### Instrument Under Test

All 8560 E-Series and EC-Series Option 103

---

#### NOTE

If the spectrum analyzer is not an Option 103, this test is not required. Instead, perform Test 1 in this chapter, “1. 10 MHz Reference Output Accuracy,” on page 534.

---

### Related Specification

Frequency Reference Accuracy

### Related Adjustment

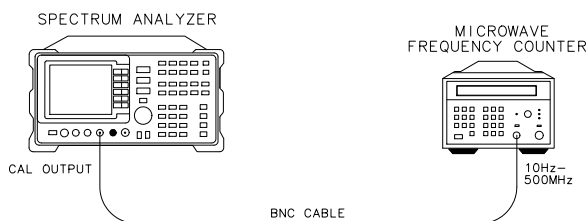
10 MHz Frequency Reference Adjustment

### Description

The 300 MHz CAL OUTPUT signal is measured to verify the 10 MHz reference signal accuracy. The CAL OUTPUT signal uses the 10 MHz signal as a reference. Measuring the CAL OUTPUT signal yields higher resolution than measuring the 10 MHz reference directly.

Figure 10-2

### Frequency Reference Accuracy Test Setup (Option 103)



dp12e

### Equipment

Microwave frequency counter . . . . . Agilent 5343A

#### Cable

BNC, 122 cm (48 in.) . . . . . Agilent 10503A

### Procedure

1. Connect the equipment as shown in <Undefined Cross-Reference>.
2. Set the Agilent 5343A controls as follows:  
Sample rate ..... midrange  
50  $\Omega$  — 1 M  $\Omega$  switch ..... 50  $\Omega$   
10 Hz — 500 MHz/500 MHz — 26.5 GHz switch .....  
..... 10 Hz — 500 MHz

---

**NOTE** The Agilent 5343A should have either an Option 001 timebase or should be connected to a house standard with an aging rate better than  $5 \times 10^{-10}$ /day.

---

3. On the spectrum analyzer, press **PRESET**.

---

**NOTE** The spectrum analyzer must be allowed to warm up for at least 5 minutes with the frequency reference set to INTERNAL. If the spectrum analyzer is warmed up with the frequency reference set to EXTERNAL, wait at least 5 minutes after pressing **PRESET** before proceeding with step 4.

---

4. Wait for the frequency counter to settle. This may take two or three gate times.
5. Read and record the frequency counter display.

Calibrator frequency: \_\_\_\_\_

---

**NOTE** The frequency reading will be invalid if any error message is displayed, especially a synthesizer-related error message. Refer to the error message descriptions in the user's guide "If You Have A Problem" chapter.

---

### 3. Fast Sweep Time Accuracy (EC-Series and E-Series with Option 007)

#### Instrument Under Test

8560 E-Series and EC-Series with Option 007

#### Related Specification

Sweep Time Accuracy <30 ms (EC-Series and E-Series with Option 007)

#### Related Adjustment

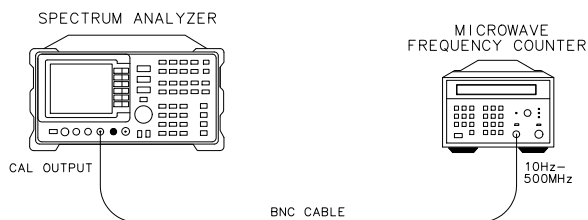
10 MHz frequency reference adjustment  
CPU clock PLL adjustment

#### Description

The sweep time accuracy for sweep times <30 ms, in EC-Series spectrum analyzers and E-Series spectrum analyzers with Option 007, is dependent on the 10 MHz frequency reference absolute accuracy. Therefore, it is only necessary to test the absolute 10 MHz reference accuracy. The procedure measures the 300 MHz CAL OUTPUT frequency since it is referenced to the 10 MHz reference. Measuring the CAL OUTPUT signal yields higher resolution than measuring the 10 MHz reference directly.

Figure 10-3

Fast Sweep Time Accuracy Test Setup (EC-Series and E-Series with Option 007)



dp12e

#### Equipment

- Microwave frequency counter . . . . . Agilent 5343A
- Cable**
- BNC, 122 cm (48 in.) . . . . . Agilent 10503A



## 3. Fast Sweep Time Accuracy (EC-Series and E-Series with Option 007)

**Procedure**

1. Connect the equipment as shown in [Figure 10-3](#).

2. Set the Agilent 5343A controls as follows:

Sample rate ..... midrange  
 50  $\Omega$  — 1 M  $\Omega$  switch ..... 50  $\Omega$   
 10 Hz — 500 MHz/500 MHz — 26.5 GHz switch .....  
 ..... 10 Hz — 500 MHz

---

**NOTE** The Agilent 5343A should have either an Option 001 timebase or should be connected to a house standard with an aging rate better than  $5 \times 10^{-10}$ /day.

---

3. On the spectrum analyzer, press **PRESET**.

---

**NOTE** The spectrum analyzer must be allowed to warm up for at least 5 minutes with the frequency reference set to INTERNAL. If the spectrum analyzer is warmed up with the frequency reference set to EXTERNAL, wait at least 5 minutes after pressing **PRESET** before proceeding with step 4.

---

4. Wait for the frequency counter to settle. This may take two or three gate times.

5. Read and record the frequency counter display.

Calibrator frequency: \_\_\_\_\_

---

**NOTE** The frequency reading will be invalid if any error message is displayed, especially a synthesizer-related error message. Refer to the error message descriptions in Chapter 5 of this manual.

---

6. Calculate and record the sweep time accuracy as follows:

$$\text{Accuracy} = \frac{100(300\text{MHz} - \text{Calibration Frequency})}{300\text{MHz}}$$

Sweep Time Accuracy: \_\_\_\_\_ %

## 4. Calibrator Amplitude Accuracy

### Instrument Under Test

All 8560 E-Series and EC-Series

### Related Specification

Calibrator Uncertainty

### Related Adjustment

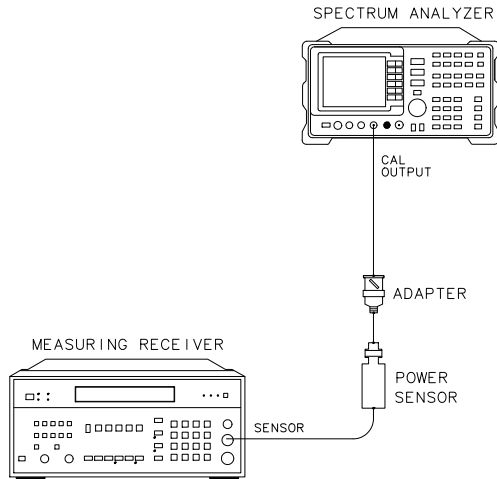
Calibrator Amplitude Adjustment

### Description

The amplitude accuracy of the analyzer CAL OUTPUT signal is checked for  $-10 \text{ dBm} \pm 0.3 \text{ dB}$ . Performing the 10 MHz Reference Output Accuracy test is sufficient for checking the calibrator frequency accuracy, since the calibrator frequency is a function of the 10 MHz reference.

Figure 10-4

Calibrator Accuracy Test Setup



dp 14e

### Equipment

Measuring receiver . . . . .	Agilent 8902A
Power sensor . . . . .	Agilent 8482A

**Adapter**

Type N (f) to BNC (m) . . . . . 1250-1477

**Procedure**

1. Zero the Agilent 8902A and calibrate the Agilent 8482A power sensor at 300 MHz in log mode, as described in the Agilent 8902A Operation Manual. Enter the power sensor 300 MHz calibration factor into the Agilent 8902A.
2. Connect the power sensor through an adapter directly to the analyzer CAL OUTPUT connector. See [Figure 10-4](#). Read the measuring receiver display. Record the reading below:

Calibrator amplitude: \_\_\_\_\_ dBm

## 5. Displayed Average Noise Level: 8560E/EC

### Instrument Under Test

8560E/EC

### Related Specification

Displayed Average Noise Level

### Related Adjustment

Frequency Response Adjustment

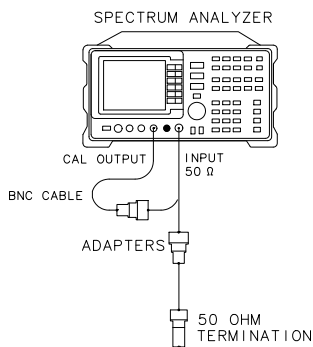
### Description

This test measures the displayed average noise level from 30 Hz to 2.9 GHz. The spectrum analyzer input is terminated in 50  $\Omega$ . The test first measures the average noise at several discrete frequencies in a narrow span. For the rest of the band, the test tunes the analyzer frequency with the highest response, then reads the average noise in a narrow span.

The noise marker is used to average several points around the frequency of interest. The noise marker also adds amplitude corrections for normalization to a 1 Hz noise bandwidth, log amplifier response, and envelope detector response. These corrections are not necessary and are subtracted out to determine the displayed average noise level.

Figure 10-5

### Displayed Average Noise Test Setup



dp121e

### Equipment

50  $\Omega$  termination ..... Agilent 908A

### Adapter

Type N (m) to BNC (f) . . . . . 1250-1476

**Cable**

BNC, 122 cm (48 in.) . . . . .Agilent 10503A

**Procedure**

1. Connect CAL OUTPUT to INPUT 50  $\Omega$ . On the spectrum analyzer, press **PRESET**. Set the controls as follows:
  - Center frequency . . . . . 300 MHz
  - Span . . . . . 100 Hz
  - Reference level . . . . . –10 dBm
  - Attenuation . . . . . 0 dB
  - Resolution BW (non-Option 103) . . . . . 1 Hz
  - Resolution BW (Option 103) . . . . . 10 Hz
  - Video BW . . . . . 1 Hz
2. Press **PEAK SEARCH CAL REF LVL ADJUST**.
3. Use the knob or step keys to adjust the REF LVL CAL number until the MKR amplitude is –10.00 dBm  $\pm$ 0.17 dB.

---

**NOTE**

---

There will be a delay in the response from changing the REF LVL ADJ value due to sweeps requiring several seconds to update.

4. Connect the Agilent 908A 50  $\Omega$  termination to the spectrum analyzer INPUT 50  $\Omega$  as shown in [Figure 10-5](#).
5. Set the spectrum analyzer controls as follows:
  - Center frequency . . . . . 150 Hz
  - Span (non-Option 103) . . . . . 375 Hz
  - Span (Option 103) . . . . . 300 Hz
  - Resolution BW (non-Option 103) . . . . . 1 Hz
  - Resolution BW (Option 103) . . . . . 10 Hz
  - Reference level . . . . . –50 dBm
  - Markers . . . . . off
6. Press **BW, VID AVG ON, 5, Hz**. Press **TRACE, CLEAR WRITE A**. Wait until VAVG 5 is displayed above the graticule. Press **SGL SWP, MKR, 30, Hz, MKRNOISE ON**. Read the marker amplitude.

**5. Displayed Average Noise Level: 8560E/EC**

7. The noise marker reading is normalized to a 1 Hz noise bandwidth and adds corrections for the log amplifiers and envelope detector. These corrections should be removed. The appropriate correction is a function of the RES BW setting, as shown below. This amplitude correction will be made to each noise marker measurement.

RES BW	Noise Marker Amplitude Correction
1 Hz	-2.27 dB
10 Hz	+7.70 dB

8. Add the appropriate noise marker amplitude correction indicated in step 7 to the marker amplitude (displayed in dBm /Hz) and record the result in [Table 10-5](#) as the displayed average noise level at 30 Hz.

Example: If the marker amplitude reads -102.6 dBm/Hz and RES BW is 1 Hz, the displayed average noise level equals -102.6 dBm/Hz -2.27 dB which equals -104.89 dBm.

9. If any of the displayed average noise level readings are within 1.10 dB of the appropriate specification, repeat the measurement in step 6 setting the number of video averages to 100.
10. Press **MKR**, **100**, **Hz**, **MKNOISE ON**. Read the marker amplitude.
11. Add the appropriate noise marker amplitude correction indicated in step 7 to the marker amplitude (displayed in dBm/Hz) and record the result in [Table 10-5](#) as the displayed average noise level at 100 Hz.
12. On the spectrum analyzer, press **FREQUENCY**, **1**, **kHz**, **MKR**, **MARKERS OFF**, **TRIG**, **SWEEP CONT**, **TRACE**, **CLEAR WRITE A**.
13. Wait until **VAVG 5** is displayed above the graticule. Press **SGL SWP**, **MKR**, **1**, **kHz**, **MKRNOISE ON**. Read the marker amplitude.
14. Add the appropriate noise marker amplitude correction indicated in step 7 to the marker amplitude (displayed in dBm/Hz) and record the result in [Table 10-5](#) as the displayed average noise level at 1 kHz.
15. Set the spectrum analyzer controls as follows:

Center frequency . . . . . 10 kHz  
 Span (non-Option 103) . . . . . 375 Hz  
 Span (Option 103) . . . . . 1770 Hz  
 Reference level . . . . . -80 dBm  
 Markers . . . . . off  
 Trigger . . . . . Continuous

16. Press **TRACE**, **CLEAR WRITE A**. Wait until **VAVG 5** is displayed above the graticule. Press **SGL SWP**, **MKR**, **10**, **kHz**, **MKRNOISE ON**. Read the marker

amplitude.

17. Add the appropriate noise marker amplitude correction indicated in step 7 to the marker amplitude (displayed in dBm/Hz) and record the result in [Table 10-5](#) as the displayed average noise level at 10 kHz.
18. On the spectrum analyzer, press **FREQUENCY, 99, kHz, MKR, MARKERS OFF, TRIG, SWEEP CONT, TRACE, CLEAR WRITE A.**

---

**NOTE**

There is a residual response at 100 kHz. Tuning to 99 kHz to avoid displaying this response will yield a displayed average noise reading worse than the actual noise at 100 kHz.

---

19. Wait until VAVG 5 is displayed above the graticule. Press **SGL SWP, MKR, 99, kHz, MKRNOISE ON.** Read the marker amplitude.
20. Add the appropriate noise marker amplitude correction indicated in step 7 to the marker amplitude (displayed in dBm/Hz) and record the result in [Table 10-5](#) as the displayed average noise level at 100 kHz.
21. On the spectrum analyzer, press **FREQUENCY, 1.02, MHz, MKR, MARKERS OFF, TRIG, SWEEP CONT, TRACE CLEAR WRITE A.**

---

**NOTE**

There is a residual response at 1 MHz. Tuning to 1.02 MHz to avoid displaying this response will yield a displayed average noise reading worse than the actual noise at 1 MHz.

---

22. Wait until VAVG 5 is displayed above the graticule. Press **SGL SWP, MKR, 1.02, MHz, MKRNOISE ON.** Read the marker amplitude.
23. Add the appropriate noise marker amplitude correction indicated in step 7 to the marker amplitude (displayed in dBm/Hz) and record the result in [Table 10-5](#) as the displayed average noise level from 1 MHz to 10 MHz.

**5. Displayed Average Noise Level: 8560E/EC**

24. Set the spectrum analyzer controls as follows:

Start frequency . . . . . 10 MHz  
Stop frequency . . . . . 2.9 GHz  
Markers . . . . . off  
Resolution BW . . . . . 1 MHz  
Video BW . . . . . 10 kHz  
Video average . . . . . off

25. Press **SGL SWP** and wait for the sweep to finish. Press **MKR, MKRNOISE ON, PEAK SEARCH**.

26. Press **MARKER** → **CF**. Set the spectrum analyzer controls as follows:

Span (non-Option 103) . . . . . 375 Hz  
Span (Option 103) . . . . . 1170 Hz  
Resolution BW (non-Option 103) . . . . . 1 Hz  
Resolution BW (Option 103) . . . . . 10 Hz  
Video BW . . . . . 1 Hz  
Video average . . . . . on  
Trigger . . . . . Continuous

27. Press **TRACE, CLEAR WRITE A**. Wait until **VAVG 5** is displayed above the graticule. Press **SGL SWP**. Read the marker amplitude.

28. Add the appropriate noise marker amplitude correction indicated in step 7 to the marker amplitude (displayed in dBm/Hz) and record the result in [Table 10-5](#) as the displayed average noise level from 10 MHz to 2.9 GHz.



**Table 10-5**      **Displayed Average Noise Level**

<b>Frequency</b>	<b>Displayed Average Noise Level (dBm)</b>	<b>Measurement Uncertainty (dB)</b>
30 Hz		+1.24/-1.37
100 Hz		+1.24/-1.37
1 kHz		+1.24/-1.37
10 kHz		+1.24/-1.37
100 kHz		+1.24/-1.37
1 MHz to 10 MHz		+1.24/-1.37
10 MHz to 2.9 GHz		+1.24/-1.37

## 6. Displayed Average Noise Level: Agilent 8561E/EC

### Instrument Under Test

Agilent 8561E/EC

### Related Specification

Displayed Average Noise Level

### Related Adjustment

Frequency Response Adjustment

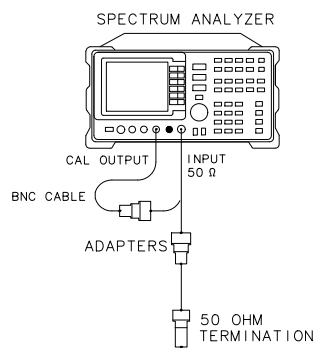
### Description

This test measures the displayed average noise level from 30 Hz to 6.5 GHz. The spectrum analyzer input is terminated in 50 ohms. In Band 0, the test first measures the average noise at several discrete frequencies in a narrow span. For the rest of Band 0, and all of Band 1, the test tunes the analyzer frequency across the band, uses the marker to locate the frequency with the highest response, then reads the average noise in a narrow span.

The noise marker is used to average several points around the frequency of interest. The noise marker also adds amplitude corrections for normalization to a 1 Hz noise bandwidth, log amplifier response, and envelope detector response. These corrections are not necessary and are subtracted out to determine the displayed average noise level.

Figure 10-6

### Displayed Average Noise Test Setup



dp121e

### Equipment

50 Ω termination . . . . . Agilent 908A

**Adapter**

Type N (m) to BNC (f) . . . . . 1250-1476

**Cable**

BNC, 122 cm (48 in.) . . . . . Agilent 10503A

**Procedure**

**Displayed Average Noise, Band 0**

1. Connect the CAL OUTPUT to INPUT 50  $\Omega$ . On the spectrum analyzer, press **PRESET**. Set the controls as follows:

Span . . . . . 100 Hz  
Center frequency . . . . . 300 MHz  
Reference level . . . . . -10 dBm  
Attenuation . . . . . 0 dB  
Resolution BW (non-Option 103) . . . . . 1 Hz  
Resolution BW (Option 103) . . . . . 10 Hz  
Video BW . . . . . 1 Hz

2. Press **PEAK SEARCH, CAL, REF LVL ADJ**.
3. Use the knob or step keys to adjust the REF LVL ADJ number until the MKR amplitude is -10.00 dBm  $\pm$ 0.17 dB.

---

**NOTE**

There will be a delay in the response from changing the REF LVL ADJ value due to sweeps requiring several seconds to update.

4. Connect the Agilent 908A 50  $\Omega$  termination to the spectrum analyzer INPUT 50  $\Omega$  as shown in [Figure 10-6](#).
5. Set the spectrum analyzer controls as follows:

Reference level . . . . . -50 dBm  
Span (non-Option 103) . . . . . 375 Hz  
Span (Option 103) . . . . . 300 Hz  
Resolution BW (non-Option 103) . . . . . 1 Hz  
Resolution BW (Option 103) . . . . . 10 Hz  
Center frequency . . . . . 150 Hz  
Markers . . . . . off

**6. Displayed Average Noise Level: Agilent 8561E/EC**

6. Press **BW, VID AVG ON, 5, Hz**. Press **TRACE, CLEAR WRITE A**. Wait until **VAVG 5** is displayed above the graticule. Press **SGL SWP, MKR, 30, Hz, MKNOISE ON**. Read the marker amplitude.
7. The noise marker reading is normalized to a 1 Hz noise bandwidth and adds corrections for the log amplifiers and envelope detector. These corrections should be removed. The appropriate correction is a function of the RES BW setting, as shown below. This amplitude correction will be made to each noise marker measurement.

RES BW	Noise Marker Amplitude Correction
1 Hz	-2.27 dB
10 Hz	+7.70 dB

8. Add the appropriate noise marker amplitude correction indicated in step 7 to the marker amplitude (displayed in dBm/Hz) and record the result in [Table 10-6](#) as the displayed average noise level at 30 Hz.  
  
Example: If the marker amplitude reads -102.6 dBm/Hz and RES BW is 1 Hz:  
Displayed average noise level = -102.6 dBm/Hz plus -2.27 dB = -104.89 dBm
9. If any of the displayed average noise level readings are within 1.10 dB of the appropriate specification, repeat the measurement in step 6 setting the number of video averages to 100.
10. Press **MKR, 100, Hz, MKNOISE ON**. Read the marker amplitude.
11. Add the appropriate noise marker amplitude correction indicated in step 7 to the marker amplitude (displayed in dBm/Hz) and record the result in [Table 10-6](#) as the displayed average noise level at 100 Hz.
12. On the spectrum analyzer, press **FREQUENCY, 1, kHz, MKR, MARKERS OFF, TRIG, SWEEP CONT, TRACE, CLEAR WRITE A**.
13. Wait until **VAVG 5** is displayed above the graticule. Press **SGL SWP, MKR, 1, kHz, MKNOISE ON**. Read the marker amplitude.
14. Add the appropriate noise marker amplitude correction indicated in step 7 to the marker amplitude (displayed in dBm/Hz) and record the result in [Table 10-6](#) as the displayed average noise level at 1 kHz.
15. Set the spectrum analyzer controls as follows:

Center frequency . . . . . 10 kHz  
Span (non-Option 103) . . . . . 375 Hz  
Span (Option 103) . . . . . 1770 Hz  
Reference level . . . . . -80 dBm  
Markers . . . . . off

## 6. Displayed Average Noise Level: Agilent 8561E/EC

Trigger . . . . . Continuous

16. Press **TRACE, CLEAR WRITE A**. Wait until **VAVG 5** is displayed above the graticule. Press **SGL SWP, MKR, 10, kHz, MKNOISE ON**. Read the marker amplitude.
17. Add the appropriate noise marker amplitude correction indicated in step 7 to the marker amplitude (displayed in dBm/Hz) and record the result in [Table 10-6](#) as the displayed average noise level at 10 kHz.
18. On the spectrum analyzer, press **FREQUENCY, 99, kHz, MKR, MARKERS OFF, TRIG, SWEEP CONT, TRACE CLEAR WRITE A**.

**NOTE**

There is a residual response at 100 kHz. Tuning to 99 kHz to avoid displaying this response will yield a displayed average noise reading worse than the actual noise at 100 kHz.

19. Wait until **VAVG 5** is displayed above the graticule. Press **SGL SWP, MKR, 99, kHz, MKNOISE ON**. Read the marker amplitude.
20. Add the appropriate noise marker amplitude correction indicated in step 7 to the marker amplitude (displayed in dBm/Hz) and record the result in [Table 10-6](#) as the displayed average noise level at 100 kHz.
21. On the spectrum analyzer, press **FREQUENCY, 1.02, MHz, MKR, MARKERS OFF, TRIG, SWEEP CONT, TRACE, CLEAR WRITE A**.

**NOTE**

There is a residual response at 1 MHz. Tuning to 1.02 MHz to avoid displaying this response will yield a displayed average noise reading worse than the actual noise at 1 MHz.

22. Wait until **VAVG 5** is displayed above the graticule. Press **SGL SWP, MKR, 1.02, MHz, MKNOISE ON**. Read the marker amplitude.
23. Add the appropriate noise marker amplitude correction indicated in step 7 to the marker amplitude (displayed in dBm/Hz) and record the result in [Table 10-6](#) as the displayed average noise level from 1 MHz to 10 MHz.
24. Set the spectrum analyzer controls as follows:
  - Start frequency . . . . . 10 MHz
  - Stop frequency . . . . . 2.9 GHz
  - Markers . . . . . off
  - Resolution BW . . . . . 1 MHz
  - Video BW . . . . . 10 kHz
  - Video average . . . . . off
25. Press **SGL SWP** and wait for a new sweep to finish. Press **MKR, MKNOISE ON, PEAK SEARCH**.

**6. Displayed Average Noise Level: Agilent 8561E/EC**

26. Press **MARKER** → **CF**. Set the controls as follows:

Span (non-Option 103) . . . . . 375 Hz  
 Span (Option 103) . . . . . 1770 Hz  
 Resolution BW (non-Option 103) . . . . . 1 Hz  
 Resolution BW (Option 103) . . . . . 10 Hz  
 Video BW . . . . . 1 Hz  
 Video average . . . . . on  
 Trigger . . . . . Continuous

27. Press **TRACE**, **CLEAR WRITE A**. Wait until **VAVG 5** is displayed above the graticule. Press **SGL SWP**. Read the marker amplitude.

28. Add the appropriate noise marker amplitude correction indicated in step 7 to the marker amplitude (displayed in dBm/Hz) and record the result in [Table 10-6](#) as the displayed average noise level from 10 MHz to 2.9 GHz.

**Displayed Average Noise, Band 1**

29. Set the spectrum analyzer controls as follows:

Start frequency . . . . . 2.9 GHz  
 Stop frequency . . . . . 6.5 GHz  
 Markers . . . . . off  
 Resolution BW . . . . . 1 MHz  
 Video BW . . . . . 10 kHz  
 Video average . . . . . OFF

30. Repeat steps 25 through 27.

31. Add the appropriate noise marker amplitude correction indicated in step 7 to the marker amplitude (displayed in dBm/Hz) and record the result in [Table 10-6](#) as the displayed average noise level from 2.9 GHz to 6.5 GHz.

**Table 10-6****Displayed Average Noise Level**

Frequency	Displayed Average Noise Level (dBm)	Measurement Uncertainty (dB)
30 Hz		+1.24/-1.37
100 Hz		+1.24/-1.37
1 kHz		+1.24/-1.37

**Table 10-6**      **Displayed Average Noise Level**

<b>Frequency</b>	<b>Displayed Average Noise Level (dBm)</b>	<b>Measurement Uncertainty (dB)</b>
10 kHz		+1.24/-1.37
100 kHz		+1.24/-1.37
1 MHz to 10 MHz		+1.24/-1.37
10 MHz to 2.9 GHz		+1.24/-1.37
2.9 to 6.5 GHz		+1.24/-1.37

## 7. Displayed Average Noise Level: Agilent 8562E/EC

### Instrument Under Test

Agilent 8562E/EC

### Related Specification

Displayed Average Noise Level

### Related Adjustment

Frequency Response Adjustment

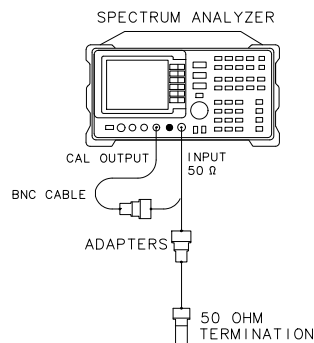
### Description

This test measures the displayed average noise level from 9 kHz to 13.2 GHz (30 Hz to 13.2 GHz if analyzer has Option 006). The spectrum analyzer input is terminated in 50 ohms. In Band 0, the test first measures the average noise at several discrete frequencies in a narrow span. For the rest of Band 0, and all other bands, the test tunes the analyzer frequency across the band, uses the marker to locate the frequency with the highest response, then reads the average noise in a narrow span.

The noise marker is used to average several points around the frequency of interest. The noise marker also adds amplitude corrections for normalization to a 1 Hz noise bandwidth, log amplifier response, and envelope detector response. These corrections are not necessary and are subtracted out to determine the displayed average noise level.

Figure 10-7

### Displayed Average Noise Test Setup



dp121e



## Equipment

50  $\Omega$  termination . . . . . Agilent 909A

### Adapters

Type N (m) to BNC (f) . . . . . 1250-1476

Type N (m) to APC 3.5 (f) . . . . . 1250-1744

Type N (f) to APC 3.5 (f) (Option 026 only) . . . . . 1250-1745

APC 3.5 (f) to APC 3.5 (f) (Option 026 only) . . . . . 5061-5311

### Cable

BNC, 122 cm (48 in.) . . . . . Agilent 10503A

## Procedure

### Displayed Average Noise, Band 0

1. Connect the CAL OUTPUT to INPUT 50  $\Omega$ . On the spectrum analyzer, press **PRESET FREQUENCY 300 MHz**. Set the controls as follows:

Span . . . . . 100 Hz

Reference level . . . . . -10 dBm

Attenuation . . . . . 0 dB

Resolution BW (non-Option 103) . . . . . 1 Hz

Resolution BW (Option 103) . . . . . 10 Hz

Video BW . . . . . 1 Hz

2. Press **PEAK SEARCH CAL REF LVL ADJ**.
3. Use the knob or step keys to adjust the REF LVL ADJ number until the MKR amplitude is -10.00 dBm  $\pm$ 0.17 dB. Press **STORE REF LVL**.

---

### NOTE

There will be a delay in the response from changing the REF LVL ADJ value due to sweeps requiring several seconds to update.

4. Connect the Agilent 909A 50  $\Omega$  termination to the spectrum analyzer INPUT 50  $\Omega$  as shown in [Figure 10-7](#).
5. A noise marker reading is normalized to a 1 Hz noise bandwidth and has corrections added for the log amplifiers and envelope detector. These corrections should be removed. The appropriate correction is a function of the

**7. Displayed Average Noise Level: Agilent 8562E/EC**

resolution BW setting, as shown below. This amplitude correction will be made to each noise marker measurement.

RES BW	Noise Marker Amplitude Correction
1 Hz	-2.27 dB
10 Hz	+7.70 dB

6. Set the spectrum analyzer controls as follows:

Center frequency . . . . .	10 kHz
Span (non-Option 103) . . . . .	375 Hz
Span (Option 103) . . . . .	1770 Hz
Resolution BW (non-Option 103) . . . . .	1 Hz
Resolution BW (Option 103) . . . . .	10 Hz
Reference level . . . . .	-70 dBm
Markers . . . . .	off
Trigger . . . . .	Continuous

7. Press **BW, VID AVG ON, 5, Hz, TRACE, CLEAR WRITE A**. Wait until **VAVG 5** is displayed above the graticule. Press **SGL SWP** and wait for completion of a new sweep. Press **MKR, 10, kHz, MKNOISE ON**. Read the marker amplitude.
8. Add the appropriate noise marker amplitude correction indicated in step 5 to the marker amplitude (displayed in dBm/Hz) and record the result in [Table 10-7](#) as the displayed average noise level at 10 kHz.
9. On the spectrum analyzer, press **FREQUENCY, 99, kHz, MKR, MARKERS OFF, TRIG, SWEEP CONT, TRACE, CLEAR WRITE A**.

**NOTE**

There is a residual response at 100 kHz. Tuning to 99 kHz to avoid displaying this response will yield a displayed average noise reading worse than the actual noise at 100 kHz.

10. Wait until **VAVG 5** is displayed above the graticule. Press **SGL SWP** and wait for completion of a new sweep. Press **MKR, 99, kHz, MKNOISE ON**. Read the marker amplitude.
11. Add the appropriate noise marker amplitude correction indicated in step 5 to the marker amplitude (displayed in dBm/Hz) and record the result in [Table 10-7](#) as the displayed average noise level at 100 kHz.
12. On the spectrum analyzer, press **FREQUENCY, 1.02, MHz, MKR, MARKERS OFF, TRIG, SWEEP CONT, TRACE, CLEAR WRITE A**.

---

**NOTE**

---

There is a residual response at 1 MHz. Tuning to 1.02 MHz to avoid displaying this response will yield a displayed average noise reading worse than the actual noise at 1 MHz.

13. Wait until **VAVG 5** is displayed above the graticule. Press **SGL SWP** and wait for completion of a new sweep. Press **MKR, 1.02, MHz, MKNOISE ON**. Read the marker amplitude.

14. Add the appropriate noise marker amplitude correction indicated in step 5 to the marker amplitude (displayed in dBm/Hz) and record the result in [Table 10-7](#) as the displayed average noise level from 1 MHz to 10 MHz.

15. Set the spectrum analyzer controls as follows:

Start frequency . . . . . 10 MHz  
Stop frequency . . . . . 2.9 GHz  
Markers . . . . . off  
Resolution BW . . . . . 1 MHz  
Video BW . . . . . 10 kHz  
Video average . . . . . off

16. Press **SGL SWP** and wait for a new sweep to finish. Press **MKR, MKNOISE ON, PEAK SEARCH**.

17. Press **MARKER**→ **CF**. Set the controls as follows:

Span (non-Option 103) . . . . . 375 Hz  
Span (Option 103) . . . . . 1770 Hz  
Resolution BW (non-Option 103) . . . . . 1 Hz  
Resolution BW (Option 103) . . . . . 10 Hz  
Video BW . . . . . 1 Hz  
Video average . . . . . on  
Trigger . . . . . Continuous

18. Press **TRACE, CLEAR WRITE A**. Wait until **VAVG 5** is played above the graticule. Press **SGL SWP** and wait for completion of a new sweep. Read the marker amplitude.

19. Add the appropriate noise marker amplitude correction indicated in step 5 to the marker amplitude (displayed in dBm/Hz) and record the result in [Table 10-7](#) as the displayed average noise level from 10 MHz to 2.9 GHz.

**Displayed Average Noise, Band 1**

20. Set the spectrum analyzer controls as follows:

Start frequency ..... 2.9 GHz  
Stop frequency ..... 6.46 GHz  
Markers ..... off  
Resolution BW ..... 1 MHz  
Video BW ..... 10 kHz  
Video average ..... off

21. Repeat steps 17 through 19.

22. Add the appropriate noise marker amplitude correction indicated in step 5 to the marker amplitude (displayed in dBm/Hz) and record the result in [Table 10-7](#) as the displayed average noise level from 2.9 GHz to 6.46 GHz.

**Displayed Average Noise, Band 2**

23. Set the spectrum analyzer controls as follows:

Start frequency ..... 6.46 GHz  
Stop frequency ..... 13.2 GHz  
Markers ..... off  
Resolution BW ..... 1 MHz  
Video BW ..... 10 kHz  
Video average ..... off

24. Repeat steps 17 through 19.

25. Add the appropriate noise marker amplitude correction indicated in step 5 to the marker amplitude (displayed in dBm/Hz) and record the result in [Table 10-7](#) as the displayed average noise level from 6.46 GHz to 13.2 GHz.

**Table 10-7**      **Displayed Average Noise Level**

<b>Frequency</b>	<b>Displayed Average Noise Level (dBm)</b>	<b>Measurement Uncertainty (dB)</b>
30 Hz		+1.24/-1.37
1 kHz		+1.24/-1.37
10 kHz		+1.24/-1.37
100 kHz		+1.24/-1.37
1 MHz to 10 MHz		+1.24/-1.37
10 MHz to 2.9 GHz		+1.24/-1.37
2.9 to 6.46 GHz		+1.24/-1.37
6.46 to 13.2 GHz		+1.24/-1.37

## 8. Displayed Average Noise Level: Agilent 8563E/EC

### Instrument Under Test

Agilent 8563E/EC

### Related Specification

Displayed Average Noise Level

### Related Adjustment

Frequency Response Adjustment

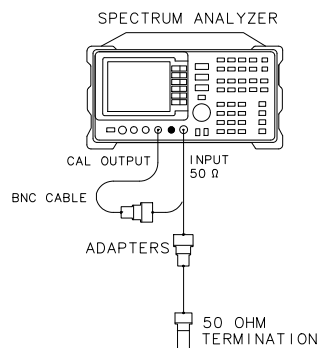
### Description

This test measures the displayed average noise level from 9 kHz to 26.5 GHz (30 Hz to 26.5 GHz if analyzer has Option 006). The spectrum analyzer input is terminated in 50 ohms. In Band 0, the test first measures the average noise at several discrete frequencies in a narrow span. For the rest of Band 0, and all other bands, the test tunes the analyzer frequency across the band, uses the marker to locate the frequency with the highest response, then reads the average noise in a narrow span.

The noise marker is used to average several points around the frequency of interest. The noise marker also adds amplitude corrections for normalization to a 1 Hz noise bandwidth, log amplifier response, and envelope detector response. These corrections are not necessary and are subtracted out to determine the displayed average noise level.

Figure 10-8

### Displayed Average Noise Test Setup



dp121e

## Equipment

50  $\Omega$  termination . . . . . Agilent 909D

### Adapters

Type N (m) to BNC (f) . . . . . 1250-1476

Type N (m) to APC 3.5 (f) . . . . . 1250-1744

Type N (f) to APC 3.5 (f) (Option 026 only) . . . . . 1250-1745

APC 3.5 (f) to APC 3.5 (f) (Option 026 only) . . . . . 5061-5311

### Cable

BNC, 122 cm (48 in.) . . . . . Agilent 10503A

## Procedure

### Displayed Average Noise, Band 0

1. Connect the CAL OUTPUT to INPUT 50  $\Omega$ . On the spectrum analyzer, press **PRESET FREQUENCY 300 MHz**. Set the controls as follows:

Span . . . . . 100 Hz

Reference level . . . . . -10 dBm

Attenuation . . . . . 0 dB

Resolution BW (non-Option 103) . . . . . 1 Hz

Resolution BW (Option 103) . . . . . 10 Hz

Video BW . . . . . 1 Hz

2. Press **PEAK SEARCH CAL REF LVL ADJ**.
3. Use the knob or step keys to adjust the REF LVL ADJ number until the MKR amplitude is -10.00 dBm  $\pm$ 0.17 dB. Press **STORE REF LVL**.

---

### NOTE

There will be a delay in the response from changing the REF LVL ADJ value due to sweeps requiring several seconds to update.

4. Connect the Agilent 909D 50  $\Omega$  termination to the spectrum analyzer INPUT 50  $\Omega$  as shown in [Figure 10-8](#).
5. A noise marker reading is normalized to a 1 Hz noise bandwidth and has corrections added for the log amplifiers and envelope detector. These corrections should be removed. The appropriate correction is a function of the

**8. Displayed Average Noise Level: Agilent 8563E/EC**

resolution BW setting, as shown below. This amplitude correction will be made to each noise marker measurement.

RES BW	Noise Marker Amplitude Correction
1 Hz	-2.27 dB
10 Hz	+7.70 dB

6. If spectrum analyzer is an Option 006, do the following steps, (otherwise continue with step 7):
  - a. Set the spectrum analyzer controls as follows:
 

Reference level . . . . .	-50 dBm
Span (non-Option 103) . . . . .	375 Hz
Span (Option 103) . . . . .	300 Hz
Resolution BW (non-Option 103) . . . . .	1 Hz
Resolution BW (Option 103) . . . . .	10 Hz
Center frequency . . . . .	150 Hz
Markers . . . . .	off
  - b. Press **BW, VID AVG ON, 5, Hz**. Press **TRACE, CLEAR WRITE A**. Wait until **VAVG 5** is displayed above the graticule. Press **SGL SWP** and wait for completion of a new sweep. Press **MKR, 30, Hz, MKNOISE ON**. Read the marker amplitude.
  - c. Add the appropriate noise marker amplitude correction indicated in step 5 to the marker amplitude (displayed in dBm/Hz) and record the result in [Table 10-8](#) as the displayed average noise level at 30 Hz.  
  
Example: If the marker amplitude reads -102.6 dBm/Hz and RES BW is 1 Hz: Displayed average noise level = -102.6 dBm/Hz - 2.27 dB = -104.89 dBm
  - d. If any of the displayed average noise level readings are within 1.10 dB of the appropriate specification, repeat the measurement in step b setting the number of video averages to 100.
  - e. On the spectrum analyzer, press **FREQUENCY, 1, kHz, MKR, MARKERS OFF, TRIG, SWEEP CONT, TRACE, CLEAR WRITE A**.
  - f. Wait until **VAVG 5** is displayed above the graticule. Press **SGL SWP** and wait for completion of a new sweep. Press **MKR, 1, kHz, MKNOISE ON**. Read the marker amplitude.
  - g. Add the appropriate noise marker amplitude correction indicated in step 5 to the marker amplitude (displayed in dBm/Hz) and record the result in [Table 10-8](#) as the displayed average noise level at 1 kHz.
7. Set the spectrum analyzer controls as follows:



## 8. Displayed Average Noise Level: Agilent 8563E/EC

Center frequency . . . . . 10 kHz  
 Span (non-Option 103) . . . . . 375 Hz  
 Span (Option 103) . . . . . 1770 Hz  
 Resolution BW (non-Option 103) . . . . . 1 Hz  
 Resolution BW (Option 103) . . . . . 10 Hz  
 Reference level . . . . . -70 dBm  
 Markers . . . . . off  
 Trigger . . . . . Continuous

8. Press **BW, VID AVG ON, 5, Hz, TRACE, CLEAR WRITE A**. Wait until VAVG 5 is displayed above the graticule. Press **SGL SWP** and wait for completion of a new sweep. Press **MKR, 10, kHz, MKNOISE ON**. Read the marker amplitude.
9. Add the appropriate noise marker amplitude correction indicated in step 5 to the marker amplitude (displayed in dBm/Hz) and record the result in [Table 10-8](#) as the displayed average noise level at 10 kHz.
10. On the spectrum analyzer, press **FREQUENCY, 99, kHz, MKR, MARKERS OFF, TRIG, SWEEP CONT, TRACE, CLEAR WRITE A**.

**NOTE**

There is a residual response at 100 kHz. Tuning to 99 kHz to avoid displaying this response will yield a displayed average noise reading worse than the actual noise at 100 kHz.

11. Wait until VAVG 5 is displayed above the graticule. Press **SGL SWP** and wait for completion of a new sweep. Press **MKR, 99, kHz, MKNOISE ON**. Read the marker amplitude.
12. Add the appropriate noise marker amplitude correction indicated in step 5 to the marker amplitude (displayed in dBm/Hz) and record the result in [Table 10-8](#) as the displayed average noise level at 100 kHz.
13. On the spectrum analyzer, press **FREQUENCY, 1.02, MHz, MKR, MARKERS OFF, TRIG, SWEEP CONT, TRACE, CLEAR WRITE A**.

**NOTE**

There is a residual response at 1 MHz. Tuning to 1.02 MHz to avoid displaying this response will yield a displayed average noise reading worse than the actual noise at 1 MHz.

14. Wait until VAVG 5 is displayed above the graticule. Press **SGL SWP** and wait for completion of a new sweep. Press **MKR, 1.02, MHz, MKNOISE ON**. Read the marker amplitude.
15. Add the appropriate noise marker amplitude correction indicated in step 5 to the marker amplitude (displayed in dBm/Hz) and record the result in [Table 10-8](#) as the displayed average noise level from 1 MHz to 10 MHz.
16. Set the spectrum analyzer controls as follows:

**8. Displayed Average Noise Level: Agilent 8563E/EC**

Start frequency ..... 10 MHz  
 Stop frequency ..... 2.9 GHz  
 Markers ..... off  
 Resolution BW ..... 1 MHz  
 Video BW ..... 10 kHz  
 Video average ..... off

17. Press **SGL SWP** and wait for a new sweep to finish. Press **MKR, MKNOISE ON, PEAK SEARCH**.

18. Press **MARKER**→ **CF**. Set the controls as follows:

Span (non-Option 103) ..... 375 Hz  
 Span (Option 103) ..... 1770 Hz  
 Resolution BW (non-Option 103) ..... 1 Hz  
 Resolution BW (Option 103) ..... 10 Hz  
 Video BW ..... 1 Hz  
 Video average ..... on  
 Trigger ..... Continuous

19. Press **TRACE, CLEAR WRITE A**. Wait until **VAVG 5** is played above the graticule. Press **SGL SWP** and wait for completion of a new sweep. Read the marker amplitude.

20. Add the appropriate noise marker amplitude correction indicated in step 5 to the marker amplitude (displayed in dBm/Hz) and record the result in [Table 10-8](#) as the displayed average noise level from 10 MHz to 2.9 GHz.

### Displayed Average Noise, Band 1

21. Set the spectrum analyzer controls as follows:

Start frequency . . . . . 2.9 GHz  
Stop frequency . . . . . 6.46 GHz  
Markers . . . . . off  
Resolution BW . . . . . 1 MHz  
Video BW . . . . . 10 kHz  
Video average . . . . . off

22. Repeat steps 17 through 19.

23. Add the appropriate noise marker amplitude correction indicated in step 5 to the marker amplitude (displayed in dBm/Hz) and record the result in [Table 10-8](#) as the displayed average noise level from 2.9 GHz to 6.46 GHz.

### Displayed Average Noise, Band 2

24. Set the spectrum analyzer controls as follows:

Start frequency . . . . . 6.46 GHz  
Stop frequency . . . . . 13.2 GHz  
Markers . . . . . off  
Resolution BW . . . . . 1 MHz  
Video BW . . . . . 10 kHz  
Video average . . . . . off

25. Repeat steps 17 through 19.

26. Add the appropriate noise marker amplitude correction indicated in step 5 to the marker amplitude (displayed in dBm/Hz) and record the result in [Table 10-8](#) as the displayed average noise level from 6.46 GHz to 13.2 GHz.

**Displayed Average Noise, Band 3, 13.2 GHz to 22 GHz**

27. Set the spectrum analyzer controls as follows:

Start frequency . . . . . 13.2 GHz  
 Stop frequency . . . . . 22.0 GHz  
 Markers . . . . . off  
 Resolution BW . . . . . 1 MHz  
 Video BW . . . . . 10 kHz  
 Video average . . . . . off

28. Press **SGL SWP** and wait for a new sweep to finish. Press **MKR, MKNOISE ON, PEAK SEARCH**.

29. Press **MARKER**→ **CF**. Set the controls as follows:

Span (non-Option 103) . . . . . 400 Hz  
 Span (Option 103) . . . . . 1770 Hz  
 Resolution BW (non-Option 103) . . . . . 1 Hz  
 Resolution BW (Option 103) . . . . . 10 Hz  
 Video BW . . . . . 1 Hz  
 Video average . . . . . on  
 Trigger . . . . . Continuous

30. Press **TRACE, CLEAR WRITE A**. Wait until **VAVG 5** is displayed above the graticule. Press **SGL SWP** and wait for completion of a new sweep. Read the marker amplitude.

31. Add the appropriate noise marker amplitude correction indicated in step 5 to the marker amplitude (displayed in dBm/Hz) and record the result in [Table 10-8](#) as the displayed average noise level from 13.2 GHz to 22.0 GHz.

**Displayed Average Noise, Band 3, 22 GHz to 26.5 GHz**

32. Set the spectrum analyzer controls as follows:

Start frequency . . . . . 22.0 GHz  
 Stop frequency . . . . . 26.5 GHz  
 Markers . . . . . off  
 Resolution BW . . . . . 1 MHz

Video BW ..... 10 kHz  
 Video average .....off

33. Repeat steps 28 through 30.
34. Add the appropriate noise marker amplitude correction indicated in step 5 to the marker amplitude (displayed in dBm/Hz) and record the result in [Table 10-8](#) as the displayed average noise level from 22.0 GHz to 26.5 GHz.

**Table 10-8**      **Displayed Average Noise Level**

Frequency	Displayed Average Noise Level (dBm)	Measurement Uncertainty (dB)
30 Hz*		+1.24/-1.37
1 kHz*		+1.24/-1.37
10 kHz		+1.24/-1.37
100 kHz		+1.24/-1.37
1 MHz to 10 MHz		+1.24/-1.37
10 MHz to 2.9 GHz		+1.24/-1.37
2.9 to 6.46 GHz		+1.24/-1.37
6.46 to 13.2 GHz		+1.24/-1.37
13.2 to 22.0 GHz		+1.24/-1.37
22.0 to 26.5 GHz		+1.24/-1.37
*The 30 Hz and 1 kHz measurements apply only to analyzers equipped with Option 006.		

## 9. Displayed Average Noise Level: Agilent 8564E/EC

### Instrument Under Test

Agilent 8564E/EC

### Related Specification

Displayed Average Noise Level

### Related Adjustment

Frequency Response Adjustment

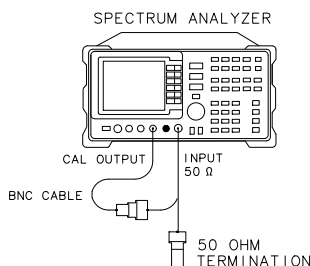
### Description

This test measures the displayed average noise level from 9 kHz to 40 GHz (30 Hz to 40 GHz if analyzer has Option 006). The spectrum analyzer input is terminated in 50 ohms. In Band 0, the test first measures the average noise at several discrete frequencies in a narrow span. For the rest of Band 0, and all other bands, the test tunes the analyzer frequency across the band, uses the marker to locate the frequency with the highest response, then reads the average noise in a narrow span.

The noise marker is used to average several points around the frequency of interest. The noise marker also adds amplitude corrections for normalization to a 1 Hz noise bandwidth, log amplifier response, and envelope detector response. These corrections are not necessary and are subtracted out to determine the displayed average noise level.

Figure 10-9

### Displayed Average Noise Test Setup



xj18e

### Equipment

50 Ω termination ..... Agilent 85138B

### Adapters

Type N (m) to BNC (f) . . . . .	1250-1476
Type N (f) to 2.4 mm (f) . . . . .	Agilent 11903B

**Cable**

BNC, 122 cm (48 in.) . . . . .	Agilent 10503A
--------------------------------	----------------

**Procedure**

**Displayed Average Noise, Band 0**

1. Connect the CAL OUTPUT to INPUT 50  $\Omega$ . On the spectrum analyzer, press **PRESET, FREQUENCY, 300, MHz.**, Set the controls as follows:

Span . . . . .	100 Hz
Reference level . . . . .	-10 dBm
Attenuation . . . . .	0 dB
Resolution BW (non-Option 103) . . . . .	1 Hz
Resolution BW (Option 103) . . . . .	10 Hz
Video BW . . . . .	1 Hz

2. Press **PEAK SEARCH, CAL, REF LVL ADJ.**
3. Use the knob or step keys to adjust the REF LVL ADJ number until the MKR amplitude is -10.00 dBm  $\pm$ 0.17 dB. Press **STORE REF LVL.**

---

**NOTE**

---

There will be a delay in the response from changing the REF LVL ADJ value due to sweeps requiring several seconds to update.

4. Connect the Agilent 85138B 50  $\Omega$  termination to the spectrum analyzer INPUT 50  $\Omega$  as shown in [Figure 10-9](#).

**9. Displayed Average Noise Level: Agilent 8564E/EC**

5. A noise marker reading is normalized to a 1 Hz noise bandwidth and has corrections added for the log amplifiers and envelope detector. These corrections should be removed. The appropriate correction is a function of the resolution BW setting, as shown below. This amplitude correction will be made to each noise marker measurement.

RES BW	Noise Marker Amplitude Correction
1 Hz	-2.27 dB
10 Hz	+7.70 dB

6. If spectrum analyzer is an Option 006, do the following steps, (otherwise continue with step 7):
- Set the spectrum analyzer controls as follows:
 

Reference level	.....	-50 dBm
Span (non-Option 103)	.....	375 Hz
Span (Option 103)	.....	300 Hz
Resolution BW (non-Option 103)	.....	1 Hz
Resolution BW (Option 103)	.....	10 Hz
Center frequency	.....	150 Hz
Markers	.....	off
  - Press **BW, VID AVG ON, 5, Hz**. Press **TRACE, CLEAR WRITE A**. Wait until **VAVG 5** is displayed above the graticule. Press **SGL SWP** and wait for completion of a new sweep. Press **MKR, 30, Hz, MKNOISE ON**. Read the marker amplitude.
  - Add the appropriate noise marker amplitude correction indicated in step 5 to the marker amplitude (displayed in dBm/Hz) and record the result in [Table 10-9](#) as the displayed average noise level at 30 Hz.  
  
Example: If the marker amplitude reads -102.6 dBm/Hz and RES BW is 1 Hz: Displayed average noise level = -102.6 dBm/Hz - 2.27 dB = -104.89 dBm
  - If any of the displayed average noise level readings are within 1.10 dB of the appropriate specification, repeat the measurement in step b setting the number of video averages to 100.
  - On the spectrum analyzer, press **FREQUENCY, 1, kHz, MKR, MARKERS OFF, TRIG, SWEEP CONT, TRACE, CLEAR WRITE A**.



## 9. Displayed Average Noise Level: Agilent 8564E/EC

- f. Wait until **VAVG 5** is displayed above the graticule. Press **SGL SWP** and wait for completion of a new sweep. Press **MKR, 1, kHz, MKNOISE ON**. Read the marker amplitude.
- g. Add the appropriate noise marker amplitude correction indicated in step 5 to the marker amplitude (displayed in dBm/Hz) and record the result in [Table 10-9](#) as the displayed average noise level at 1 kHz.
7. Set the spectrum analyzer controls as follows:
- |  |            |
|--|------------|
| Center frequency . . . . .               | 10 kHz     |
| Span (non-Option 103) . . . . .          | 375 Hz     |
| Span (Option 103) . . . . .              | 1770 Hz    |
| Resolution BW (non-Option 103) . . . . . | 1 Hz       |
| Resolution BW (Option 103) . . . . .     | 10 Hz      |
| Reference level . . . . .                | -70 dBm    |
| Markers . . . . .                        | off        |
| Trigger . . . . .                        | Continuous |
8. Press **BW, VID AVG ON, 5, Hz, TRACE, CLEAR WRITE A**. Wait until **VAVG 5** is displayed above the graticule. Press **SGL SWP** and wait for completion of a new sweep. Press **MKR, 10, kHz, MKNOISE ON**. Read the marker amplitude.
9. Add the appropriate noise marker amplitude correction indicated in step 5 to the marker amplitude (displayed in dBm/Hz) and record the result in [Table 10-9](#) as the displayed average noise level at 10 kHz.
10. On the spectrum analyzer, press **FREQUENCY, 99, kHz, MKR, MARKERS OFF, TRIG, SWEEP CONT, TRACE, CLEAR WRITE A**.

---

**NOTE**

---

There is a residual response at 100 kHz. Tuning to 99 kHz to avoid displaying this response will yield a displayed average noise reading worse than the actual noise at 100 kHz.

11. Wait until **VAVG 5** is displayed above the graticule. Press **SGL SWP** and wait for completion of a new sweep. Press **MKR, 99, kHz, MKNOISE ON**. Read the marker amplitude.
12. Add the appropriate noise marker amplitude correction indicated in step 5 to the marker amplitude (displayed in dBm/Hz) and record the result in [Table 10-9](#) as the displayed average noise level at 100 kHz.
13. On the spectrum analyzer, press **FREQUENCY, 1.02, MHz, MKR, MARKERS OFF, TRIG, SWEEP CONT, TRACE, CLEAR WRITE A**.

**NOTE**

There is a residual response at 1 MHz. Tuning to 1.02 MHz to avoid displaying this response will yield a displayed average noise reading worse than the actual noise at 1 MHz.

14. Wait until **VAVG 5** is displayed above the graticule. Press **SGL SWP** and wait for completion of a new sweep. Press **MKR**, **1.02**, **MHz**, **MKNOISE ON**. Read the marker amplitude.

15. Add the appropriate noise marker amplitude correction indicated in step 5 to the marker amplitude (displayed in dBm/Hz) and record the result in [Table 10-9](#) as the displayed average noise level from 1 MHz to 10 MHz.

16. Set the spectrum analyzer controls as follows:

Start frequency . . . . . 10 MHz  
 Stop frequency . . . . . 2.9 GHz  
 Markers . . . . . off  
 Resolution BW . . . . . 1 MHz  
 Video BW . . . . . 10 kHz  
 Video average . . . . . off

17. Press **SGL SWP** and wait for a new sweep to finish. Press **MKR**, **MKNOISE ON**, **PEAK SEARCH**.

18. Press **MARKER**→**CF**. Set the controls as follows:

Span (non-Option 103) . . . . . 375 Hz  
 Span (Option 103) . . . . . 1770 Hz  
 Resolution BW (non-Option 103) . . . . . 1 Hz  
 Resolution BW (Option 103) . . . . . 10 Hz  
 Video BW . . . . . 1 Hz  
 Video average . . . . . on  
 Trigger . . . . . Continuous

19. Press **TRACE**, **CLEAR WRITE A**. Wait until **VAVG 5** is played above the graticule. Press **SGL SWP** and wait for completion of a new sweep. Read the marker amplitude.

20. Add the appropriate noise marker amplitude correction indicated in step 5 to the marker amplitude (displayed in dBm/Hz) and record the result in [Table 10-9](#) as the displayed average noise level from 10 MHz to 2.9 GHz.

### Displayed Average Noise, Band 1

21. Set the spectrum analyzer controls as follows:

Start frequency . . . . . 2.9 GHz  
Stop frequency . . . . . 6.46 GHz  
Markers . . . . . off  
Resolution BW . . . . . 1 MHz  
Video BW . . . . . 10 kHz  
Video average . . . . . off

22. Repeat steps 17 through 19.

23. Add the appropriate noise marker amplitude correction indicated in step 5 to the marker amplitude (displayed in dBm/Hz) and record the result in [Table 10-9](#) as the displayed average noise level from 2.9 GHz to 6.46 GHz.

### Displayed Average Noise, Band 2

24. Set the spectrum analyzer controls as follows:

Start frequency . . . . . 6.46 GHz  
Stop frequency . . . . . 13.2 GHz  
Markers . . . . . off  
Resolution BW . . . . . 1 MHz  
Video BW . . . . . 10 kHz  
Video average . . . . . off

25. Repeat steps 17 through 19.

26. Add the appropriate noise marker amplitude correction indicated in step 5 to the marker amplitude (displayed in dBm/Hz) and record the result in [Table 10-9](#) as the displayed average noise level from 6.46 GHz to 13.2 GHz.

**Displayed Average Noise, Band 3, 13.2 GHz to 22 GHz**

27. Set the spectrum analyzer controls as follows:

Start frequency . . . . . 13.2 GHz  
 Stop frequency . . . . . 22.0 GHz  
 Markers . . . . . off  
 Resolution BW . . . . . 1 MHz  
 Video BW . . . . . 10 kHz  
 Video average . . . . . off

28. Press **SGL SWP** and wait for a new sweep to finish. Press **MKR, MKNOISE ON, PEAK SEARCH**.

29. Press **MARKER**→ **CF**. Set the controls as follows:

Span (non-Option 103) . . . . . 400 Hz  
 Span (Option 103) . . . . . 1770 Hz  
 Resolution BW (non-Option 103) . . . . . 1 Hz  
 Resolution BW (Option 103) . . . . . 10 Hz  
 Video BW . . . . . 1 Hz  
 Video average . . . . . on  
 Trigger . . . . . Continuous

30. Press **TRACE, CLEAR WRITE A**. Wait until **VAVG 5** is displayed above the graticule. Press **SGL SWP** and wait for completion of a new sweep. Read the marker amplitude.

31. Add the appropriate noise marker amplitude correction indicated in step 5 to the marker amplitude (displayed in dBm/Hz) and record the result in [Table 10-9](#) as the displayed average noise level from 13.2 GHz to 22.0 GHz.

**Displayed Average Noise, Band 3, 22 GHz to 26.8 GHz**

32. Set the spectrum analyzer controls as follows:

Start frequency . . . . . 22.0 GHz  
 Stop frequency . . . . . 26.8 GHz  
 Markers . . . . . off  
 Resolution BW . . . . . 1 MHz

Video BW . . . . . 10 kHz  
 Video average . . . . . off

33. Repeat steps 28 through 30.

34. Add the appropriate noise marker amplitude correction indicated in step 5 to the marker amplitude (displayed in dBm/Hz) and record the result in [Table 10-9](#) as the displayed average noise level from 22.0 GHz to 26.8 GHz.

#### Displayed Average Noise, Band 4, 26.8 GHz to 31.15 GHz

35. Set the spectrum analyzer controls as follows:

Start frequency . . . . . 26.8 GHz  
 Stop frequency . . . . . 31.15 GHz  
 Markers . . . . . off  
 Resolution BW . . . . . 1 MHz  
 Video BW . . . . . 10 kHz  
 Video average . . . . . off

36. Press **SGL SWP** and wait for a new sweep to finish. Press **MKR, MKNOISE ON, PEAK SEARCH**.

37. Press **MARKER**→ **CF**. Set the controls as follows:

Span (non-Option 103) . . . . . 400 Hz  
 Span (Option 103) . . . . . 1770 Hz  
 Resolution BW (non-Option 103) . . . . . 1 Hz  
 Resolution BW (Option 103) . . . . . 10 Hz  
 Video BW . . . . . 1 Hz  
 Video average . . . . . on  
 Trigger . . . . . Continuous

38. Press **TRACE, CLEAR WRITE A**. Wait until **VAVG 5** is displayed above the graticule. Press **SGL SWP** and wait for completion of a new sweep. Read the marker amplitude.

39. Add the appropriate noise marker amplitude correction indicated in step 5 to the marker amplitude (displayed in dBm/Hz) and record the result in [Table 10-9](#) as the displayed average noise level from 26.8 GHz to 31.15 GHz.

#### Displayed Average Noise, Band 4, 31.15 GHz to 40 GHz

**9. Displayed Average Noise Level: Agilent 8564E/EC**

40. Set the spectrum analyzer controls as follows:

Reference level . . . . . -60 dBm  
 Start frequency . . . . . 31.15 GHz  
 Stop frequency . . . . . 40 GHz  
 Markers . . . . . off  
 Resolution BW . . . . . 1 MHz  
 Video BW . . . . . 10 kHz  
 Video average . . . . . off

41. Repeat steps 36 through 38.

42. Add the appropriate noise marker amplitude correction indicated in step 5 to the marker amplitude (displayed in dBm/Hz) and record the result in [Table 10-9](#) as the displayed average noise level from 31.15 GHz to 40 GHz.

**Table 10-9**

**Displayed Average Noise Level**

Frequency	Displayed Average Noise Level (dBm)	Measurement Uncertainty (dB)
30 Hz*		+1.24/-1.37
1 kHz*		+1.24/-1.37
10 kHz		+1.24/-1.37
100 kHz		+1.24/-1.37
1 MHz to 10 MHz		+1.24/-1.37
10 MHz to 2.9 GHz		+1.24/-1.37
2.9 to 6.46 GHz		+1.24/-1.37
6.46 to 13.2 GHz		+1.24/-1.37
13.2 to 22.0 GHz		+1.24/-1.37
22.0 to 26.8 GHz		+1.24/-1.37
26.8 to 31.15 GHz		+1.24/-1.37
31.15 to 40 GHz		+1.24/-1.37
*The 30 Hz and 1 kHz measurements apply only to analyzers equipped with Option 006.		

## 10. Displayed Average Noise Level: Agilent 8565E/EC

### Instrument Under Test

Agilent 8565E/EC

### Related Specification

Displayed Average Noise Level

### Related Adjustment

Frequency Response Adjustment

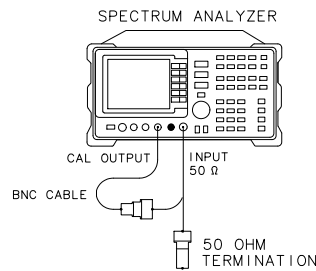
### Description

This test measures the displayed average noise level from 9 kHz to 50 GHz (30 Hz to 50 GHz if analyzer has Option 006). The spectrum analyzer input is terminated in 50 ohms. In Band 0, the test first measures the average noise at several discrete frequencies in a narrow span. For the rest of Band 0, and all other bands, the test tunes the analyzer frequency across the band, uses the marker to locate the frequency with the highest response, then reads the average noise in a narrow span.

The noise marker is used to average several points around the frequency of interest. The noise marker also adds amplitude corrections for normalization to a 1 Hz noise bandwidth, log amplifier response, and envelope detector response. These corrections are not necessary and are subtracted out to determine the displayed average noise level.

Figure 10-10

### Displayed Average Noise Test Setup



xj18e

### Equipment

50 Ω termination . . . . . Agilent 85138B

### Adapters

**10. Displayed Average Noise Level: Agilent 8565E/EC**

Type N (m) to BNC (f) . . . . . 1250-1476

Type N (f) to 2.4 mm (f) . . . . . Agilent 11903B

**Cable**

BNC, 122 cm (48 in.) . . . . . Agilent 10503A

**Procedure**

**Displayed Average Noise, Band 0**

1. Connect the CAL OUTPUT to INPUT 50 Ω. On the spectrum analyzer, press **PRESET, FREQUENCY, 300, MHz**. Set the controls as follows:

Span . . . . . 100 Hz

Reference level . . . . . -10 dBm

Attenuation . . . . . 0 dB

Resolution BW (non-Option 103) . . . . . 1 Hz

Resolution BW (Option 103) . . . . . 10 Hz

Video BW . . . . . 1 Hz

2. Press **PEAK SEARCH, CAL, REF LVL ADJ**.
3. Use the knob or step keys to adjust the REF LVL ADJ number until the MKR amplitude is -10.00 dBm ±0.17 dB. Press **STORE REF LVL**.

---

**NOTE**

There will be a delay in the response from changing the REF LVL ADJ value due to sweeps requiring several seconds to update.

4. Connect the Agilent 85138B 50 Ω termination to the spectrum analyzer INPUT 50 Ω as shown in [Figure 10-10](#).
5. A noise marker reading is normalized to a 1 Hz noise bandwidth and has corrections added for the log amplifiers and envelope detector. These corrections should be removed. The appropriate correction is a function of the resolution BW setting, as shown below. This amplitude correction will be made to each noise marker measurement.

RES BW	Noise Marker Amplitude Correction
1 Hz	-2.27 dB
10 Hz	+7.70 dB

6. If spectrum analyzer is an Option 006, do the following steps, (otherwise continue with step 7):



## 10. Displayed Average Noise Level: Agilent 8565E/EC

- a. Set the spectrum analyzer controls as follows:

Reference level . . . . . –50 dBm  
 Span (non-Option 103) . . . . . 375 Hz  
 Span (Option 103) . . . . . 300 Hz  
 Resolution BW (non-Option 103) . . . . . 1 Hz  
 Resolution BW (Option 103) . . . . . 10 Hz  
 Center frequency . . . . . 150 Hz  
 Markers . . . . . off

- b. Press **BW, VID AVG ON, 5, Hz**. Press **TRACE, CLEAR WRITE A**. Wait until **VAVG 5** is displayed above the graticule. Press **SGL SWP** and wait for completion of a new sweep. Press **MKR, 30, Hz, MKNOISE ON**. Read the marker amplitude.

- c. Add the appropriate noise marker amplitude correction indicated in step 5 to the marker amplitude (displayed in dBm/Hz) and record the result in [Table 10-10](#) as the displayed average noise level at 30 Hz.

Example: If the marker amplitude reads –102.6 dBm/Hz and RES BW is 1 Hz: Displayed average noise level = –102.6 dBm/Hz – 2.27 dB = –104.89 dBm

- d. If any of the displayed average noise level readings are within 1.10 dB of the appropriate specification, repeat the measurement in step b setting the number of video averages to 100.

- e. On the spectrum analyzer, press **FREQUENCY, 1, kHz, MKR, MARKERS OFF, TRIG, SWEEP CONT, TRACE, CLEAR WRITE A**.

- f. Wait until **VAVG 5** is displayed above the graticule. Press **SGL SWP** and wait for completion of a new sweep. Press **MKR, 1, kHz, MKNOISE ON**. Read the marker amplitude.

- g. Add the appropriate noise marker amplitude correction indicated in step 5 to the marker amplitude (displayed in dBm/Hz) and record the result in [Table 10-10](#) as the displayed average noise level at 1 kHz.

7. Set the spectrum analyzer controls as follows:

Center frequency . . . . . 10 kHz  
 Span (non-Option 103) . . . . . 375 Hz  
 Span (Option 103) . . . . . 1770 Hz  
 Resolution BW (non-Option 103) . . . . . 1 Hz  
 Resolution BW (Option 103) . . . . . 10 Hz  
 Reference level . . . . . –70 dBm

**10. Displayed Average Noise Level: Agilent 8565E/EC**

Markers . . . . . off

Trigger . . . . . Continuous

8. Press **BW VID AVG ON 5 Hz TRACE CLEAR WRITE**
  - A. Wait until **VAVG 5** is displayed above the graticule. Press **SGL SWP** and wait for completion of a new sweep. Press **MKR 10 kHz MKNOISE ON**. Read the marker amplitude.
9. Add the appropriate noise marker amplitude correction indicated in step 5 to the marker amplitude (displayed in dBm/Hz) and record the result in [Table 45, on page 587](#) as the displayed average noise level at 10 kHz.
10. On the spectrum analyzer, press **FREQUENCY 99 kHz MKR MARKERS OFF TRIG SWEEP CONT TRACE CLEAR WRITE A**.

---

**NOTE**

There is a residual response at 100 kHz. Tuning to 99 kHz to avoid displaying this response will yield a displayed average noise reading worse than the actual noise at 100 kHz.

---

11. Wait until **VAVG 5** is displayed above the graticule. Press **SGL SWP** and wait for completion of a new sweep. Press **MKR, 99, kHz, MKNOISE ON**. Read the marker amplitude.
12. Add the appropriate noise marker amplitude correction indicated in step 5 to the marker amplitude (displayed in dBm/Hz) and record the result in [Table 10-10](#) as the displayed average noise level at 100 kHz.
13. On the spectrum analyzer, press **FREQUENCY, 1.02, MHz, MKR, MARKERS OFF, TRIG SWEEP, CONT, TRACE, CLEAR WRITE A**.

---

**NOTE**

There is a residual response at 1 MHz. Tuning to 1.02 MHz to avoid displaying this response will yield a displayed average noise reading worse than the actual noise at 1 MHz.

---

14. Wait until **VAVG 5** is displayed above the graticule. Press **SGL SWP** and wait for completion of a new sweep. Press **MKR, 1.02, MHz, MKNOISE ON**. Read the marker amplitude.
15. Add the appropriate noise marker amplitude correction indicated in step 5 to the marker amplitude (displayed in dBm/Hz) and record the result in [Table 10-10](#) as the displayed average noise level from 1 MHz to 10 MHz.
16. Set the spectrum analyzer controls as follows:
  - Start frequency . . . . . 10 MHz
  - Stop frequency . . . . . 2.9 GHz
  - Markers . . . . . off
  - Resolution BW . . . . . 1 MHz

**10. Displayed Average Noise Level: Agilent 8565E/EC**

Video BW ..... 10 kHz

Video average .....off

17. Press **SGL SWP** and wait for a new sweep to finish. Press **MKR, MKNOISE ON, PEAK SEARCH**.

18. Press **MARKER**→ **CF**. Set the controls as follows:

Span (non-Option 103) ..... 375 Hz

Span (Option 103) ..... 1770 Hz

Resolution BW (non-Option 103) ..... 1 Hz

Resolution BW (Option 103) ..... 10 Hz

Video BW ..... 1 Hz

Video average ..... on

Trigger ..... Continuous

19. Press **TRACE, CLEAR WRITE A**. Wait until **VAVG 5** is played above the graticule. Press **SGL SWP** and wait for completion of a new sweep. Read the marker amplitude.

20. Add the appropriate noise marker amplitude correction indicated in step 5 to the marker amplitude (displayed in dBm/Hz) and record the result in [Table 10-10](#) as the displayed average noise level from 10 MHz to 2.9 GHz.

**Displayed Average Noise, Band 1**

21. Set the spectrum analyzer controls as follows:

- Start frequency .....2.9 GHz
- Stop frequency ..... 6.46 GHz
- Markers ..... off
- Resolution BW ..... 1 MHz
- Video BW .....10 kHz
- Video average ..... off

22. Repeat steps 17 through 19.

23. Add the appropriate noise marker amplitude correction indicated in step 5 to the marker amplitude (displayed in dBm/Hz) and record the result in [Table 10-10](#) as the displayed average noise level from 2.9 GHz to 6.46 GHz.

**Displayed Average Noise, Band 2**

24. Set the spectrum analyzer controls as follows:

- Start frequency .....6.46 GHz
- Stop frequency .....13.2 GHz
- Markers ..... off
- Resolution BW ..... 1 MHz
- Video BW .....10 kHz
- Video average ..... off

25. Repeat steps 17 through 19.

26. Add the appropriate noise marker amplitude correction indicated in step 5 to the marker amplitude (displayed in dBm/Hz) and record the result in [Table 10-10](#) as the displayed average noise level from 6.46 GHz to 13.2 GHz.

**Displayed Average Noise, Band 3, 13.2 GHz to 22 GHz**

27. Set the spectrum analyzer controls as follows:

Start frequency . . . . . 13.2 GHz  
Stop frequency . . . . . 22.0 GHz  
Markers . . . . . off  
Resolution BW . . . . . 1 MHz  
Video BW . . . . . 10 kHz  
Video average . . . . . off

28. Press **SGL SWP** and wait for a new sweep to finish. Press **MKR, MKNOISE ON, PEAK SEARCH**.

29. Press **MARKER**→ **CF**. Set the controls as follows:

Span (non-Option 103) . . . . . 400 Hz  
Span (Option 103) . . . . . 1770 Hz  
Resolution BW (non-Option 103) . . . . . 1 Hz  
Resolution BW (Option 103) . . . . . 10 Hz  
Video BW . . . . . 1 Hz  
Video average . . . . . on  
Trigger . . . . . Continuous

30. Press **TRACE, CLEAR WRITE A**. Wait until **VAVG 5** is displayed above the graticule. Press **SGL SWP** and wait for completion of a new sweep. Read the marker amplitude.

31. Add the appropriate noise marker amplitude correction indicated in step 5 to the marker amplitude (displayed in dBm/Hz) and record the result in [Table 10-10](#) as the displayed average noise level from 13.2 GHz to 22.0 GHz.

**Displayed Average Noise, Band 3, 22 GHz to 26.8 GHz**

32. Set the spectrum analyzer controls as follows:

Start frequency . . . . . 22.0 GHz  
Stop frequency . . . . . 26.8 GHz  
Markers . . . . . off  
Resolution BW . . . . . 1 MHz

**10. Displayed Average Noise Level: Agilent 8565E/EC**

Video BW . . . . .10 kHz

Video average . . . . . off

33. Repeat steps 28 through 30.

34. Add the appropriate noise marker amplitude correction indicated in step 5 to the marker amplitude (displayed in dBm/Hz) and record the result in [Table 10-10](#) as the displayed average noise level from 22.0 GHz to 26.8 GHz.

**Displayed Average Noise, Band 4, 26.8 GHz to 31.15 GHz**

35. Set the spectrum analyzer controls as follows:

Start frequency . . . . .26.8 GHz

Stop frequency . . . . .31.15 GHz

Markers . . . . . off

Resolution BW . . . . . 1 MHz

Video BW . . . . .10 kHz

Video average . . . . . off

36. Press **SGL SWP** and wait for a new sweep to finish. Press **MKR, MKNOISE ON, PEAK SEARCH**.

37. Press **MARKER**→ **CF**. Set the controls as follows:

Span (non-Option 103) . . . . .400 Hz

Span (Option 103) . . . . .1770 Hz

Resolution BW (non-Option 103) . . . . . 1 Hz

Resolution BW (Option 103) . . . . .10 Hz

Video BW . . . . . 1 Hz

Video average . . . . . on

Trigger . . . . . Continuous

38. Press **TRACE, CLEAR WRITE A**. Wait until **VAVG 5** is displayed above the graticule. Press **SGL SWP** and wait for completion of a new sweep. Read the marker amplitude.

39. Add the appropriate noise marker amplitude correction indicated in step 5 to the marker amplitude (displayed in dBm/Hz) and record the result in [Table 10-10](#) as the displayed average noise level from 26.8 GHz to 31.15 GHz.

**Displayed Average Noise, Band 4, 31.15 GHz to 40 GHz**

**10. Displayed Average Noise Level: Agilent 8565E/EC**

40. Set the spectrum analyzer controls as follows:

Reference level . . . . . –60 dBm  
 Start frequency . . . . . 31.15 GHz  
 Stop frequency . . . . . 40 GHz  
 Markers . . . . . off  
 Resolution BW . . . . . 1 MHz  
 Video BW . . . . . 10 kHz  
 Video average . . . . . off

41. Repeat steps 36 through 38.

42. Add the appropriate noise marker amplitude correction indicated in step 5 to the marker amplitude (displayed in dBm/Hz) and record the result in [Table 10-10](#) as the displayed average noise level from 31.15 GHz to 40 GHz.

**Displayed Average Noise, Band 4, 40 GHz to 50 GHz**

43. Set the spectrum analyzer controls as follows:

Reference level . . . . . –60 dBm  
 Start frequency . . . . . 40 GHz  
 Stop frequency . . . . . 50 GHz  
 Markers . . . . . off  
 Resolution BW . . . . . 1 MHz  
 Video BW . . . . . 10 kHz  
 Video average . . . . . off

44. Repeat steps 36 through 38.

45. Add the appropriate noise marker amplitude correction indicated in step 5 to the marker amplitude (displayed in dBm/Hz) and record the result in [Table 10-10](#) as the displayed average noise level from 40 GHz to 50 GHz.

**Table 10-10**

**Displayed Average Noise Level**

Frequency	Displayed Average Noise Level (dBm)	Measurement Uncertainty (dB)
30 Hz*		+1.24/–1.37
1 kHz*		+1.24/–1.37
10 kHz		+1.24/–1.37

Table 10-10

Displayed Average Noise Level (Continued)

Frequency	Displayed Average Noise Level (dBm)	Measurement Uncertainty (dB)
100 kHz		+1.24/–1.37
1 MHz to 10 MHz		+1.24/–1.37
10 MHz to 2.9 GHz		+1.24/–1.37
2.9 to 6.46 GHz		+1.24/–1.37
6.46 to 13.2 GHz		+1.24/–1.37
13.2 to 22.0 GHz		+1.24/–1.37
22.0 to 26.8 GHz		+1.24/–1.37
26.8 to 31.15 GHz		+1.24/–1.37
31.15 to 40 GHz		+1.24/–1.37
40 to 50 GHz		+1.24/–1.37
*The 30 Hz and 1 kHz measurements apply only to analyzers equipped with Option 006.		



## 11. Resolution Bandwidth Switching and IF Alignment Uncertainty

### Instrument Under Test

All 8560 E-Series and EC-Series except Option EMI

### Related Specifications

Resolution Bandwidth Switching Uncertainty

IF Alignment Uncertainty

### Related Adjustment

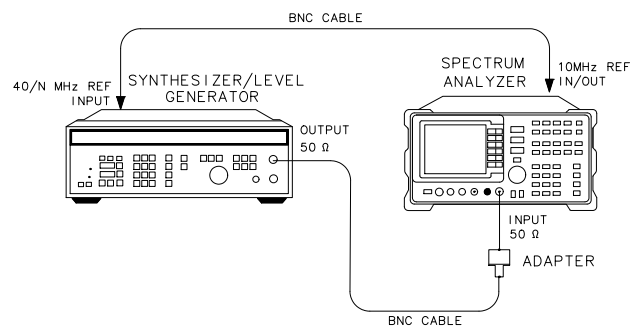
There is no related adjustment procedure for this performance test.

### Description

A signal source is applied to the input of the spectrum analyzer, and an amplitude reference is set with the RES BW at 300 kHz. At each of the analyzer resolution bandwidth settings, the amplitude of the source is adjusted to place the signal at the analyzer reference level. The source amplitude is compared with the amplitude at the analyzer 300 kHz RES BW setting. The difference between the settings equals the RES BW switching uncertainty. For the 300 Hz resolution bandwidth setting, the difference between settings equals the sum of the resolution bandwidth switching uncertainty and IF alignment uncertainty.

Figure 10-11

### Resolution BW Switching and IF Alignment Uncertainty Test Setup



dp16e

**Equipment**

Frequency synthesizer . . . . . Agilent 3335A

**Adapters**

Type N (m) to BNC (f) . . . . . 1250-1476

Type N (f) to 2.4 mm (f) . . . . . Agilent 11903B

*(for Agilent 8564E/EC and Agilent 8565E/EC)*

**Cable**

BNC, 122 cm (48 in.) (2 required) . . . . . Agilent 10503A

**Procedure**

1. Connect the equipment as shown in [Figure 10-11](#). The spectrum analyzer provides the frequency reference for the Agilent 3335A.
2. Set the Agilent 3335A controls as follows:
  - Frequency . . . . . 50 MHz
  - Amplitude . . . . . –5 dBm
  - Amplitude increment . . . . . 0.01 dB
3. Press **PRESET**, **CAL**, **FULL IF ADJ** on the spectrum analyzer. Wait for the **IF ADJUST STATUS**: message to disappear, then set the controls as follows:
  - Center frequency . . . . . 50 MHz
  - Span . . . . . 1 MHz
  - Log dB/division . . . . . 1 dB
  - Resolution BW . . . . . 300 kHz
4. On the spectrum analyzer, press **CAL**, **IF ADJ OFF**. Press **PEAK SEARCH**, **MKR** →, **MARKER** →, **REF LVL**. Wait for the completion of a new sweep.
5. Press **PEAK SEARCH**, **MARKER DELTA**.
6. Set the spectrum analyzer controls as follows:
  - Span . . . . . 10 MHz
  - Resolution BW . . . . . 2 MHz
  - Video BW/Resolution BW ratio . . . . . 0.100
7. Press **CAL**, **ADJ CURR IF STATE**. Wait for the **IF ADJUST STATUS** message to disappear.

**11. Resolution Bandwidth Switching and IF Alignment Uncertainty**

8. Press **PEAK SEARCH** on the spectrum analyzer.
9. Press **AMPLITUDE** on the Agilent 3335A, then use the INCR keys to adjust the amplitude until the marker amplitude displayed on the spectrum analyzer reads 0 dB  $\pm$ 0.05 dB.
10. Record the Agilent 3335A amplitude setting in [Table 10-11](#).
11. Calculate the amplitude difference by subtracting the Agilent 3335A **AMPLITUDE** setting from  $-5$  dBm. Record the result in the Amplitude Difference column of [Table 10-11](#).  
  
Amplitude difference =  $-5$  dBm – Agilent 3335A **AMPLITUDE** setting
12. Repeat steps 6 through 11 for the remaining spectrum analyzer SPAN and RES BW settings in [Table 10-11](#). The 3 Hz and 1 Hz RES BW settings are not available in analyzers with Option 103.

**Table 10-11****Resolution Bandwidth Switching and IF Alignment Uncertainty**

Spectrum Analyzer Settings		Agilent 3335A Amplitude (dBm)	Amplitude Difference (dB)	Measurement Uncertainty (dB)
Span	Res BW			
1 MHz	300 kHz	$-5$ (Ref.)	0 (Ref.)	$\pm 0.037$
10 MHz	2 MHz			$\pm 0.037$
5 MHz	1 MHz			$\pm 0.037$
500 kHz	100 kHz			$\pm 0.037$
100 kHz	30 kHz			$\pm 0.037$
50 kHz	10 kHz			$\pm 0.037$
10 kHz	3 kHz			$\pm 0.037$
5 kHz	1 kHz			$\pm 0.037$
1 kHz	300 Hz			$\pm 0.037$
500 Hz	100 Hz			$\pm 0.037$
100 Hz	30 Hz			$\pm 0.037$
100 Hz	10 Hz			$\pm 0.037$
100 Hz	3 Hz*			$\pm 0.037$
100 Hz	1 Hz*			$\pm 0.037$

\*These bandwidths are not available in spectrum analyzers with Option 103.

## 12. Resolution Bandwidth Accuracy and Selectivity

### Instrument Under Test

All 8560 E-Series and EC-Series, except Option EMI

### Related Specifications

Resolution Bandwidth Accuracy  
Resolution Bandwidth Selectivity

### Related Adjustment

There is no related adjustment procedure for this performance test.

### Description

The output of a synthesizer is connected to the input of the spectrum analyzer. The spectrum analyzer is set to a span approximately twice the resolution bandwidth setting (for measuring the  $-3$  dB bandwidth). The actual span error is determined by moving the synthesizer frequency and comparing the measured frequency difference to the actual difference between the two synthesizer frequencies.

The synthesizer output is then reduced in amplitude by 3 dB to determine the actual  $-3$  dB point. A marker reference is set and the synthesizer output is increased by 3 dB to its previous level. A sweep is then taken and the markers are used to measure the 3 dB bandwidth. The measured bandwidth is then corrected for the span error and a percent error between the ideal bandwidth and the corrected bandwidth is calculated and recorded.

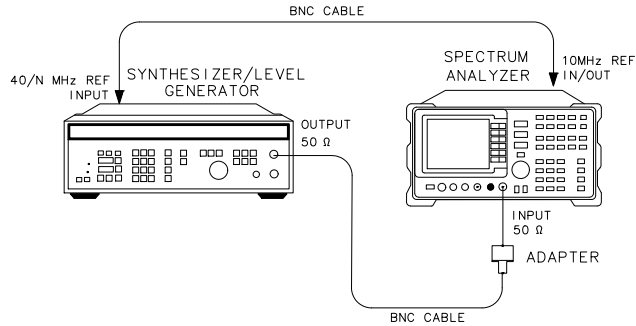
The span error is not measured in the narrower spans. To measure the span error accurately, the span-to-resolution bandwidth ratio should be approximately 100:1 with a resolution bandwidth  $\geq 300$  Hz. This criteria cannot be met in the narrower spans.

The  $-60$  dB bandwidths are measured in a similar manner, with the span set to about 15 to 20 times the resolution bandwidth setting. The ratio between the  $-60$  dB and  $-3$  dB bandwidths is calculated and recorded.

RES BW settings  $\leq 100$  Hz are not measured. These bandwidths are digitally-derived; therefore, their accuracy and shape are guaranteed by design.

**Figure 10-12**

**Resolution Bandwidth Accuracy and Selectivity Test Setup**



dp16e

**Equipment**

Synthesizer/level generator . . . . . Agilent 3335A

**Adapter**

BNC (f) to type N (m) . . . . . 1250-1476

Type N (f) to 2.4 mm (f) . . . . . Agilent 11903B  
*(for Agilent 8564E/EC and Agilent 8565E/EC)*

**Cable**

BNC, 122 cm (48 in.) (2 required) . . . . . Agilent 10503A

**Procedure**

1. Connect the equipment as shown in [Figure 10-12](#). The spectrum analyzer provides the frequency reference for the frequency synthesizer.
2. Set the Agilent 3335A controls as follows:
  - Frequency . . . . . 40 MHz
  - Amplitude . . . . . –5 dBm
  - Amplitude increment . . . . . 1 dB
3. On the spectrum analyzer, press **PRESET**, **SAVE**, **SAVELOCK OFF**, **CAL**, **FULL IF ADJ**. Wait for the IF ADJUST STATUS: message to disappear. Press **IF ADJ OFF**. Set the controls as follows:
  - Center frequency . . . . . 40 MHz
  - Span . . . . . 4 MHz

**12. Resolution Bandwidth Accuracy and Selectivity**

Log dB/division .....	1 dB
Resolution BW .....	2 MHz
Video BW .....	300 Hz

**Resolution Bandwidth Accuracy**

4. Adjust the Agilent 3335A output amplitude to place the signal two to three divisions (2 dB to 3 dB) below the reference level. Set the Agilent 3335A **AMPTD INCR** to 3 dB.
5. On the spectrum analyzer, press **CAL, ADJ CURR IF STATE**. Wait for the **IF ADJUST STATUS:** message to disappear before continuing.
6. If the RES BW setting is 3 kHz or less, proceed directly to step 13.
7. Set the Agilent 3335A frequency to F1 as indicated in [Table 10-12](#) for the current RES BW setting of the analyzer.
8. Press **SAVE, SAVE STATE, STATE 0**, then press **AUTO COUPLE, ALL, PEAK SEARCH, MARKER DELTA** on the spectrum analyzer.
9. Set the Agilent 3335A frequency to F2 as indicated in [Table 10-12](#) for the current RES BW setting of the analyzer.
10. Press **PEAK SEARCH** on the spectrum analyzer. Record the  $\Delta$  MKR frequency reading as the actual SPAN measurement in [Table 10-13](#) for the RES BW setting to be measured.
11. Press **RECALL, RECALL STATE, STATE 0** on the spectrum analyzer.
12. Set the Agilent 3335A frequency to 40 MHz.
13. Press **AMPLITUDE** ↓ on the Agilent 3335A.
14. On the spectrum analyzer, press **PEAK SEARCH, MARKER DELTA**.
15. On the Agilent 3335A, press **AMPLITUDE**, ↑.
16. On the spectrum analyzer, press **SGL SWP** and wait for the completion of a new sweep.
17. Press **MKR** on the spectrum analyzer. Rotate the RPG knob counterclockwise until the  $\Delta$  MKR amplitude reads 0 dB  $\pm$ 0.017 dB. The marker should be on the left-hand skirt of the signal. If the marker cannot be set exactly to 0 dB, note whether the marker is just above or just below the actual –3 dB point.
18. Press **MARKER DELTA**, then rotate the RPG knob clockwise until the  $\Delta$  MKR amplitude reads 0 dB  $\pm$ 0.017 dB. The active marker should be on the right-hand skirt of the signal. If the marker was set just above –3 dB in the previous step, set the marker just below the –3 dB point. If the marker was set just below the –3 dB point in the previous step, set the marker just above the –3 dB point.
19. If the RES BW setting is 3 kHz or less, record the  $\Delta$  MKR frequency reading as

**12. Resolution Bandwidth Accuracy and Selectivity**

the corrected –3 dB bandwidth in [Table 10-13](#) and continue with step 23. It is not necessary to correct for span accuracy.

20. Record the  $\Delta$  MKR frequency reading as the measured –3 dB bandwidth in [Table 10-13](#) for the current RES BW setting.
21. Calculate the corrected –3 dB bandwidth as shown below and record the result in [Table 10-13](#).

$$\text{Corrected } -3 \text{ dB BW} = (\text{actual span} / \text{ideal span}) \times \text{measured } -3 \text{ dB BW}$$

Example:

Resolution BW Setting = 1 MHz

Ideal Span = 1.0 MHz

Actual Span = 1.05 MHz

Measured –3 dB BW = 913 kHz

$$\text{corrected } -3 \text{ dB BW} = (1.05/1.00) \times 913 \text{ kHz} = 958.65 \text{ kHz}$$

22. Record the corrected –3 dB bandwidth in [Table 10-13](#) for the current RES BW setting.
23. Calculate the 3 dB BW error shown below and record the result in [Table 10-13](#) for the current RES BW setting.

$$3 \text{ dB BW error} = 100 \times (\text{corr'd } -3 \text{ dB BW} - \text{RES BW setting}) / \text{RES BW setting}$$

Following the example above:

$$\begin{aligned} 3 \text{ dB BW error} &= 100 \times (0.95865 \text{ MHz} - 1.0 \text{ MHz RES BW setting}) / 1.0 \text{ MHz} \\ \text{RES BW setting} &= -4.135\% \end{aligned}$$

24. On the spectrum analyzer, press **MKR, MARKERS OFF, TRIG, SWEEP CONT.**
25. Repeat steps 5 through 24 for the remaining RES BW and SPAN settings listed in [Table 10-12](#) and [Table 10-13](#).

**Resolution Bandwidth Selectivity**

26. Set the spectrum analyzer controls as follows:

Span . . . . . 20 MHz

Resolution BW . . . . . 2 MHz

Video BW . . . . . 300 Hz

Log dB/division . . . . . 10 dB

27. Set the Agilent 3335A as follows:

Amplitude . . . . . –3 dBm

**12. Resolution Bandwidth Accuracy and Selectivity**

Amplitude increment .....1 dB

28. On the spectrum analyzer, press **CAL, ADJ CURR IF STATE**. Wait for the **IF ADJUST STATUS**: message to disappear before continuing. Press **PEAK SEARCH**.
29. Adjust the Agilent 3335A **AMPLITUDE** until the spectrum analyzer **MKR** amplitude reads 0 dBm  $\pm$ 1.00 dB.
30. Set the Agilent 3335A **AMPTD INCR** to 60 dB.
31. Set the Agilent 3335A frequency to F1 as indicated in [Table 10-14](#) for the current spectrum analyzer **RES BW** setting.
32. On the spectrum analyzer, press **SAVE, SAVE STATE, STATE 0, AUTO COUPLE, ALL**. If the **RES BW** setting is now less than 300 Hz, press **BW 300 Hz**.
33. Press **PEAK SEARCH, MARKER DELTA**.
34. Set the Agilent 3335A frequency to F2 as indicated in [Table 10-14](#) for the current spectrum analyzer **RES BW** setting.
35. Press **PEAK SEARCH** on the spectrum analyzer. Record the  $\Delta$  **MKR** frequency as the Actual **SPAN** Measurement in [Table 10-15](#) for the current **RES BW** setting.
36. On the spectrum analyzer, press **RECALL, RECALL STATE, STATE 0**.
37. Set the Agilent 3335A frequency to 40 MHz.
38. Press **AMPLITUDE** ↓ on the Agilent 3335A.
39. On the spectrum analyzer, press **PEAK SEARCH, MARKER DELTA**.
40. On the Agilent 3335A, press **AMPLITUDE**, ↑.
41. On the spectrum analyzer, press **SGL SWP** and wait for the completion of a new sweep.
42. Press **MKR** on the spectrum analyzer. Rotate the **RPG** knob counterclockwise until the  $\Delta$  **MKR** amplitude reads 0 dB  $\pm$ 0.50 dB. The marker should be on the left-hand skirt of the signal. If the marker cannot be set to exactly 0 dB, note whether the marker is just above or just below the actual –60 dB point.
43. Press **MARKER DELTA** on the spectrum analyzer. Rotate the **RPG** knob clockwise until the  $\Delta$  **MKR** amplitude reads 0 dB  $\pm$ 0.50 dB. The active marker should be on the right-hand skirt of the signal. If the marker was set just above the –60 dB point in the previous step, set the marker just below the –60 dB point. If the marker was set just below the –60 dB point in the preceding step, set the marker just above the –60 dB point.
44. Record the  $\Delta$  **MKR** reading as the Measured –60 dB bandwidth in [Table 10-15](#) for the current **RES BW** setting.
45. Calculate the corrected –60 dB bandwidth as shown below, then record the result in [Table 10-15](#).



corrected  $-60$  dB BW = (actual span/ideal span)  $\times$  measured  $-60$  dB BW

Example:

RES BW setting = 1 MHz

Ideal span = 16 MHz

Actual span = 17 MHz

Measured  $-60$  dB BW = 9.82 MHz

Corrected  $-60$  dB BW =  $(17/16) \times 9.82$  MHz = 10.43 MHz

46. Record the corrected  $-60$  dB BW in [Table 10-15](#) for the current RES BW setting.
47. Calculate the selectivity by dividing the corrected  $-60$  dB BW by the corrected  $-3$  dB BW (from [Table 10-13](#)), then record the result in [Table 10-15](#).

Selectivity = corrected  $-60$  dB BW / corrected  $-3$  dB BW

Example:

Selectivity = 10.43 MHz / 0.9415 MHz = 11.08

48. Press **MKR**, **MARKERS OFF**, **TRIG**, **SWEEP CONT** on the spectrum analyzer.
49. Repeat steps 28 through 47 for the remaining RES BW and SPAN settings listed in [Table 10-14](#) and [Table 10-15](#).

**Table 10-12** –3 dB Bandwidth Instrument Settings

Spectrum Analyzer Settings		Agilent 3335A Frequencies		Measurement Uncertainty (%)
RES BW	SPAN	F1 (MHz)	F2 (MHz)	
2 MHz	4 MHz	39.0	41.0	±1.34
1 MHz	2 MHz	39.5	40.5	±1.34
300 kHz	500 kHz	39.85	40.15	±1.34
100 kHz	200 kHz	39.95	40.05	±1.34
30 kHz	50 kHz	39.985	40.015	±1.34
10 kHz	20 kHz	39.995	40.005	±1.34
3 kHz	5 kHz	N/A	N/A	±1.34
1 kHz	2 kHz	N/A	N/A	±1.34
300 Hz	600 Hz	N/A	N/A	±1.34

**Table 10-13** –3 dB Bandwidth Measurement Data

RES BW Setting	Span Measurement		–3 dB BW Measurement		3 dB BW Error (%)
	Ideal	Actual	Measured	Corrected	
2 MHz	2 MHz	MHz			
1 MHz	1.0 MHz	MHz			
300 kHz	300 kHz	kHz			
100 kHz	100 kHz	kHz			
30 kHz	30 kHz	kHz			
10 kHz	10 kHz	kHz			
3 kHz*	N/A	N/A			
1 kHz*	N/A	N/A			
300 Hz*	N/A	N/A			

\*Span Error Measurement not required for RES BW settings of 3 kHz and less.

**Table 10-14 –60 dB Bandwidth Instrument Settings**

Spectrum Analyzer Settings		Agilent 3335A Frequencies		Measurement Uncertainty (%)
RES BW	SPAN	F1 (MHz)	F2 (MHz)	
2 MHz	20 MHz	35.0	45.0	±0.98
1 MHz	20 MHz	32.0	48.0	±0.98
300 kHz	5 MHz	38.0	42.0	±0.98
100 kHz	2 MHz	39.2	40.8	±0.98
30 kHz	500 kHz	39.8	40.2	±0.98
10 kHz	200 kHz	39.92	40.08	±0.98
3 kHz	50 kHz	39.98	40.02	±0.98
1 kHz	20 kHz	39.992	40.008	±0.98
300 Hz	5 kHz	39.998	40.002	±0.98

**Table 10-15 –60 dB Bandwidth Measurement Data**

RES BW Setting	Span Measurement		–60 dB Bandwidth		Selectivity
	Ideal	Actual	Measured	Corrected	
2 MHz	10 MHz	MHz			
1 MHz	16 MHz	MHz			
300 kHz	4 MHz	MHz			
100 kHz	1.6 MHz	MHz			
30 kHz	400 kHz	kHz			
10 kHz	160 kHz	kHz			
3 kHz	40 kHz	kHz			
1 kHz	16 kHz	kHz			
300 Hz	4 kHz	kHz			

## 13. Input Attenuator Switching Uncertainty: 8560E/EC, Agilent 8561E/EC, Agilent 8562E/EC/, Agilent 8563E/EC

### Instrument Under Test

8560E/EC  
Agilent 8561E/EC  
Agilent 8562E/EC  
Agilent 8563E/EC

### Related Specification

Input Attenuator Switching Uncertainty

### Related Adjustment

There is no related adjustment procedure for this performance test.

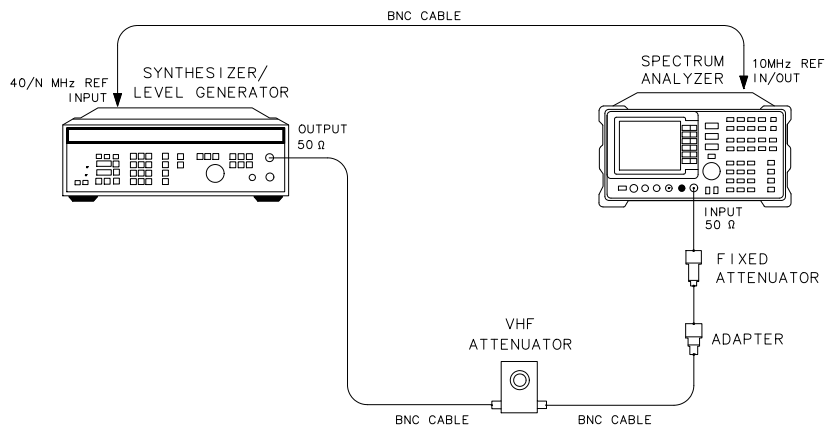
### Description

This test measures the input attenuator switching uncertainty over the full 70 dB range at 50 MHz. The synthesizer/level generator is phase-locked to the spectrum analyzer 10 MHz reference. Switching uncertainty is referenced to the 10 dB attenuator setting. The attenuator in the synthesizer/level generator is the measurement standard.

The input attenuator switching uncertainty at 2.9 GHz is measured using IF substitution. The IF gains are characterized at 50 MHz.

Figure 10-13

Input Attenuator Test Setup, 50 MHz

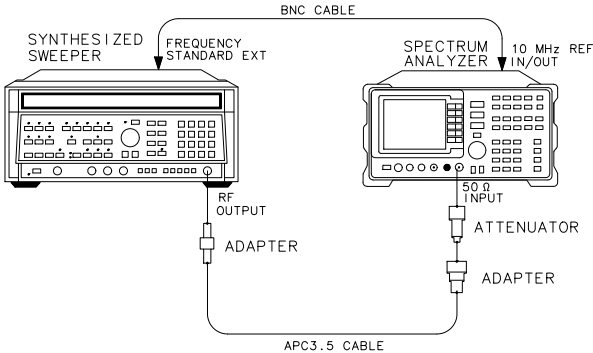


dp17e

13. Input Attenuator Switching Uncertainty: 8560E/EC, Agilent 8561E/EC, Agilent 8562E/EC/, Agilent 8563E/EC

Figure 10-14

Input Attenuator Test Setup, >50 MHz



dp18e

Equipment

- Synthesized sweeper . . . . . Agilent 8340A/B
- Synthesizer/level generator . . . . . Agilent 3335A
- 20 dB coaxial fixed attenuator . . . . . Agilent 8491B (Option 020)
- 10 dB coaxial fixed attenuator . . . . . Agilent 8491B (Option 010)
- 1 dB VHF step attenuator . . . . . Agilent 355C

Adapters

- Type N (m) to BNC (f) . . . . . 1250-1476
- Type N (m) to APC 3.5 (f) . . . . . 1250-1744
- APC 3.5 (f) to APC 3.5 (f) . . . . . 5061-5311

Cables

- BNC, 122 cm (48 in.) (3 required) . . . . . Agilent 10503A
- SMA, 61 cm (24 in.) . . . . . 8120-1578

Procedure

Attenuator Switching Uncertainty

1. Connect the equipment as shown in Figure 10-13 using the Agilent 8491B Option 020. The spectrum analyzer provides the frequency reference for the Agilent 3335A.

**13. Input Attenuator Switching Uncertainty: 8560E/EC, Agilent 8561E/EC, Agilent 8562E/EC/, Agilent 8563E/EC**

2. Set the Agilent 3335A controls as follows:

- Frequency . . . . . 50 MHz
- Amplitude . . . . . –50 dBm
- Amplitude increment . . . . . 10 dB
- Output . . . . . 50 Ω

3. On the spectrum analyzer, press **PRESET, CAL, REALIGN LO & IF**. Wait for adjustments to complete. Then, set the controls as follows:

- Center frequency . . . . . 50 MHz
- Span . . . . . 0 Hz
- Reference level . . . . . –70 dBm
- Log dB/division . . . . . 1 dB
- Resolution BW . . . . . 3 kHz
- Video BW . . . . . 1 Hz

4. Set the Agilent 355C to 0 dB.

5. Adjust the Agilent 355C step attenuator to place the peak of the signal two to three divisions below the spectrum analyzer reference level.

6. On the spectrum analyzer, press **SGL SWP, SGL SWP**.

7. Wait for a new sweep to finish. Press **MKR, MARKER DELTA**.

8. Set the Agilent 3335A amplitude as indicated in row 2 of [Table 10-16](#) by pressing **AMPLITUDE** and entering the next dBm value.

9. On the spectrum analyzer, set **AMPLITUDE, REF LVL, 60, –dBm, ATTEN, 20, dB** as indicated in row 2 of [Table 10-16](#).

10. On the spectrum analyzer, press **SGL SWP**.

11. Wait for a sweep to finish. Record the Δ MKR amplitude in [Table 10-16](#) as the actual Δ MKR reading.

12. Repeat steps 8 through 11 for each row of instrument settings in [Table 10-16](#).

13. For each attenuator setting other than 10 dB, subtract the actual Δ MKR reading from the ideal Δ MKR reading in [Table 10-16](#) and record the result as the cumulative switching uncertainty (CSU).

$$\text{CSU} = \text{ideal } \Delta \text{ MKR reading} - \text{actual } \Delta \text{ MKR reading}$$

14. For attenuator settings from 20 through 70 dB, subtract the CSU value of the preceding setting from the current CSU value and record the result in [Table 10-16](#) as the incremental switching uncertainty.

$$\text{Incremental switching uncertainty} = \text{current CSU} - \text{previous CSU}$$

15. Set the Agilent 3335A controls as follows:

**13. Input Attenuator Switching Uncertainty: 8560E/EC, Agilent 8561E/EC, Agilent 8562E/EC/, Agilent 8563E/EC**

Frequency . . . . . 50 MHz  
 Amplitude . . . . . +5 dBm  
 Amplitude increment . . . . . 10 dB  
 Output . . . . . 50  $\Omega$

16. On the spectrum analyzer, press **PRESET**, **CAL**, **REALIGN LO AND IF**. Wait for adjustments to complete. Then, set the controls as follows:

Center frequency . . . . . 50 MHz  
 Span . . . . . 0 Hz  
 Reference level . . . . . -10 dBm  
 Attenuation . . . . . 0 dB  
 Log dB/division . . . . . 1 dB  
 Resolution BW . . . . . 1 kHz  
 Video BW . . . . . 1 Hz

17. Set the Agilent 355C to 5 dB and replace the Agilent 8491B Option 020 with the Agilent 8491B Option 010 10 dB attenuator.
18. Adjust the Agilent 355C to place the signal two to three divisions below the reference level.
19. On the spectrum analyzer, press **MKR**, **MARKER DELTA**.
20. Set the Agilent 3335A **AMPLITUDE** and the spectrum analyzer **REF LVL** according to [Table 10-17](#). Record the spectrum analyzer  $\Delta$  MKR reading for each setting as the actual  $\Delta$  MKR reading.
21. For each row in [Table 10-17](#), subtract the ideal  $\Delta$  MKR reading from the actual  $\Delta$  MKR reading. Record the result as the IF gain deviation.

### Calculating IF Gain Correction

22. Calculate and record the IF gain correction factors in [Table 10-18](#) as described in the following steps:
  - a. For each IF gain correction entry, there is a pair of numbers in parentheses. These numbers represent spectrum analyzer REF LVL settings from [Table 10-17](#).
  - b. Look up the IF gain deviation values in [Table 10-17](#) that correspond to these REF LVL settings.
  - c. Substitute test values for the numbers in parentheses in the IF gain correction entry and calculate the correction value. As an example, when calculating [Table 10-18](#) IF gain correction for the 20 dB ATTEN setting, look up the IF gain deviation values listed in [Table 10-17](#) for the –30 and –20 dBm REF LVL settings.
  - d. If the IF gain deviation for the –30 dBm REF LVL is +0.2 dB and the IF gain deviation for the –20 dBm REF LVL is –0.3 dB, then the IF gain correction for the 20 dB ATTEN setting is:

$$(+0.2) - (-0.3) = +0.5 \text{ dB}$$

### Input Attenuator Switching Uncertainty, 2.9 GHz

23. Connect the equipment as shown in [Figure 10-14](#) using the Agilent 8491B Option 010 10 dB attenuator. The spectrum analyzer provides the frequency reference for the Agilent 8340A/B.
24. On the spectrum analyzer, press **FREQUENCY**, 2.9, **GHz**.
25. On the spectrum analyzer, press **AMPLITUDE**, 10, **–dBm**, **ATTEN**, 10, **+dBm**, **MKR**, **MARKERS OFF**.
26. On the Agilent 8340A/B, press **INSTR PRESET** and set the controls as follows:  
CW frequency . . . . . 2.9 GHz  
Power level . . . . . 0 dBm
27. On the spectrum analyzer, press **MKR**.
28. Adjust the Agilent 8340A/B **POWER LEVEL** for a spectrum analyzer MKR amplitude reading of –13 dBm ±0.05 dB.
29. On the spectrum analyzer press **MKR**, **MARKER DELTA**, **AMPLITUDE**, **ATTEN**, 20, **dB**.
30. After a new sweep has finished, record the spectrum analyzer Δ MKR amplitude reading in [Table 10-18](#) as the Δ MKR Reading (column 2).
31. Set the spectrum analyzer **ATTEN** to the settings indicated in [Table 10-18](#).



**13. Input Attenuator Switching Uncertainty: 8560E/EC, Agilent 8561E/EC, Agilent 8562E/EC/, Agilent 8563E/EC**

Repeat step 30 for each ATTEN setting.

32. For each ATTEN setting in [Table 10-18](#), subtract the IF gain correction from the  $\Delta$  MKR reading (column 2) and record the result as the CSU.
33. For each attenuator setting from 20 through 70 dB, subtract the CSU value of the preceding setting from the current CSU value and record the result in [Table 10-18](#) as the incremental switching uncertainty.

Incremental switching uncertainty = current CSU – previous CSU

**Table 10-16 Input Attenuator Switching Accuracy, 50 MHz**

Agilent 3335A Amplitude (dBm)	Spectrum Analyzer		$\Delta$ MKR Reading		Cumulative Switching Uncertainty (dB)	Incremental Switching Uncertainty (dB)	Measurement Uncertainty (dB)
	REF LVL (dBm)	ATTEN (dB)	Ideal (dB)	Actual (dB)			
-50	-70	10	0 (Ref.)	0 (Ref.)	0 (Ref.)	0 (Ref.)	0 (Ref.)
-40	-60	20	+10				$\pm 0.178$
-30	-50	30	+20				$\pm 0.178$
-20	-40	40	+30				$\pm 0.178$
-10	-30	50	+40				$\pm 0.178$
0	-20	60	+50				$\pm 0.178$
+10	-10	70	+60				$\pm 0.178$

Table 10-17 IF Gain Deviation

Spectrum Analyzer Ref Lvl (dBm)	Agilent 3335A Amplitude (dBm)	Δ MKR Reading		IF Gain Deviation (dB)
		Actual (dB)	Ideal (dB)	
-10	+5	0 (Ref.)	0 (Ref.)	0 (Ref.)
-20	-5		-10	
-30	-15		-20	
-40	-25		-30	
-50	-35		-40	
-60	-45		-50	
-70	-55		-60	
-80	-65		-70	

Table 10-18 Input Attenuator Switching Uncertainty, 2.9 GHz

Spectrum Analyzer ATTEN (dB)	Δ MKR Reading (dB)	IF Gain Correction (dB)		Cumulative Switching Uncertainty (dB)	Incremental Switching Uncertainty (dB)	Measurement Uncertainty (dB)
10	0 (Ref.)	0 (Ref.)		0 (Ref.)	0 (Ref.)	0 (Ref.)
20			[(-30)– (-20)]			±0.23
30			[(-40)– (-20)]			±0.23
40			[(-50)– (-20)]			±0.23
50			[(-60)– (-20)]			±0.23
60			[(-70)– (-20)]			±0.24
70			[(-80)– (-20)]			±0.24

## 14. Input Attenuator Switching Uncertainty: Agilent 8564E/EC, Agilent 8565E/EC

### Instrument Under Test

Agilent 8564E/EC

Agilent 8565E/EC

### Related Specification

Input Attenuator Switching Uncertainty

### Related Adjustment

There is no related adjustment procedure for this performance test.

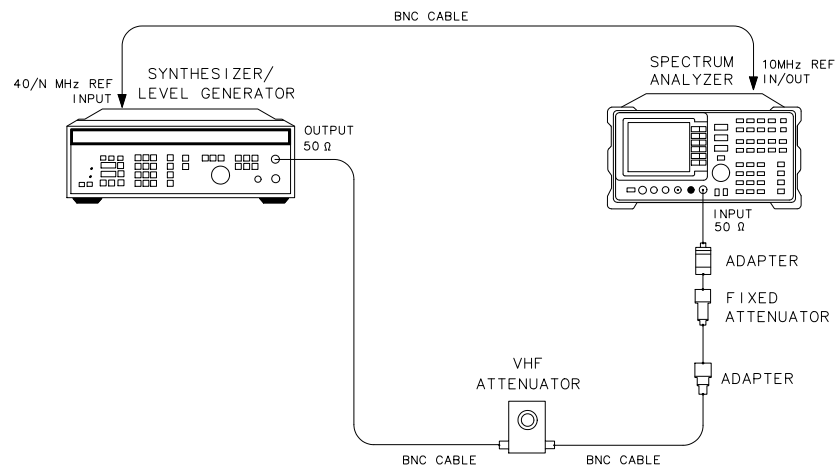
### Description

This test measures the input attenuator switching uncertainty over the full 60 dB range at 50 MHz. The synthesizer/level generator is phase-locked to the spectrum analyzer 10 MHz reference. Switching uncertainty is referenced to the 10 dB attenuator setting. The attenuator in the synthesizer/level generator is the measurement standard.

The input attenuator switching uncertainty at 2.9 GHz is measured using IF substitution. The IF gains are characterized at 50 MHz.

Figure 10-15

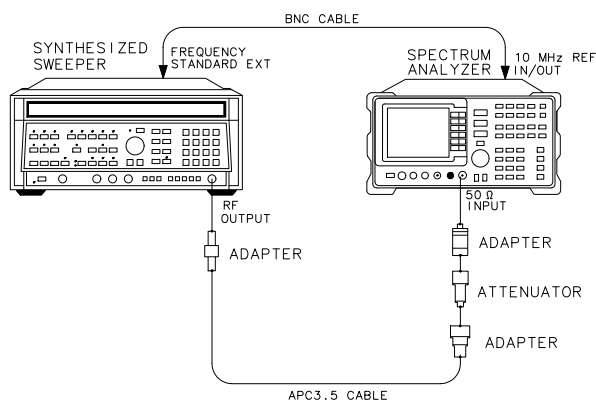
### Input Attenuator Test Setup, 50 MHz



xj13e

Figure 10-16

Input Attenuator Test Setup, >50 MHz



xj14e

### Equipment

Synthesized sweeper . . . . .	Agilent 8340A/B
Synthesizer/level generator . . . . .	Agilent 3335A
20 dB coaxial fixed attenuator . . . . .	Agilent 8491B (Option 020)
10 dB coaxial fixed attenuator . . . . .	Agilent 8491B (Option 010)
1 dB VHF step attenuator . . . . .	Agilent 355C

### Adapters

Type N (m) to BNC (f) . . . . .	1250-1476
Type N (m) to APC 3.5 (f) . . . . .	1250-1744
APC 3.5 (f) to APC 3.5 (f) . . . . .	5061-5311
Type N (f) to 2.4 mm (f) . . . . .	Agilent 11903B

### Cables

BNC, 122 cm (48 in.) (3 required) . . . . .	Agilent 10503A
SMA, 61 cm (24 in.) . . . . .	8120-1578

### Procedure

#### Attenuator Switching Uncertainty

1. Connect the equipment as shown in [Figure 10-15](#) using the Agilent 8491B Option 020. The spectrum analyzer provides the frequency reference for the Agilent 3335A.

**14. Input Attenuator Switching Uncertainty: Agilent 8564E/EC, Agilent 8565E/EC**

2. Set the Agilent 3335A controls as follows:

Frequency . . . . . 50 MHz  
 Amplitude . . . . . -50 dBm  
 Amplitude increment . . . . . 10 dB  
 Output . . . . . 50  $\Omega$

3. On the spectrum analyzer, press **PRESET, CAL, REALIGN LO &IF**. Wait for adjustments to complete. Then, set the controls as follows:

Center frequency . . . . . 50 MHz  
 Span . . . . . 0 Hz  
 Reference level . . . . . -70 dBm  
 Log dB/division . . . . . 1 dB  
 Resolution BW . . . . . 3 kHz  
 Video BW . . . . . 1 Hz

4. Set the Agilent 355C to 0 dB.
5. Adjust the Agilent 355C step attenuator to place the peak of the signal two to three divisions below the spectrum analyzer reference level.
6. On the spectrum analyzer, press **SGL SWP, SGL SWP**.
7. Wait for a new sweep to finish. Press **MKR, MARKER DELTA**.
8. Set the Agilent 3335A amplitude as indicated in row 2 of [Table 10-19](#) by pressing **AMPLITUDE** and entering the next dBm value.
9. On the spectrum analyzer, set **AMPLITUDE REF LVL 60 -dBm ATTEN 20 dB** as indicated in row 2 of [Table 10-19](#).
10. On the spectrum analyzer, press **SGL SWP**.
11. Wait for a sweep to finish. Record the  $\Delta$  MKR amplitude in [Table 10-19](#) as the actual  $\Delta$  MKR reading.
12. Repeat steps 8 through 11 for each row of instrument settings in [Table 10-19](#).
13. For each attenuator setting other than 10 dB, subtract the actual  $\Delta$  MKR reading from the ideal  $\Delta$  MKR reading in [Table 10-19](#) and record the result as the cumulative switching uncertainty (CSU).

$$\text{CSU} = \text{ideal } \Delta \text{ MKR reading} - \text{actual } \Delta \text{ MKR reading}$$

**14. Input Attenuator Switching Uncertainty: Agilent 8564E/EC, Agilent 8565E/EC**

14. For attenuator settings from 20 through 60 dB, subtract the CSU value of the preceding setting from the current CSU value and record the result in [Table 10-19](#) as the incremental switching uncertainty.

Incremental switching uncertainty = current CSU – previous CSU

15. Set the Agilent 3335A controls as follows:

Frequency . . . . . 50 MHz  
 Amplitude . . . . . +5 dBm  
 Amplitude increment . . . . . 10 dB  
 Output . . . . . 50  $\Omega$

16. On the spectrum analyzer, press **PRESET**, **CAL**, **REALIGN LO AND IF**. Wait for adjustments to complete. Then, set the controls as follows:

Center frequency . . . . . 50 MHz  
 Span . . . . . 0 Hz  
 Reference level . . . . . –10 dBm  
 Attenuation . . . . . 0 dB  
 Log dB/division . . . . . 1 dB  
 Resolution BW . . . . . 1 kHz  
 Video BW . . . . . 1 Hz

17. Set the Agilent 355C to 5 dB and replace the Agilent 8491B Option 020 with the Agilent 8491B Option 010 10 dB attenuator.

18. Adjust the Agilent 355C to place the signal two to three divisions below the reference level.

19. On the spectrum analyzer, press **MKR**, **MARKER DELTA**.

20. Set the Agilent 3335A **AMPLITUDE** and the spectrum analyzer **REF LVL** according to [Table 10-20](#). Record the spectrum analyzer  $\Delta$  MKR reading for each setting as the actual  $\Delta$  MKR reading.

21. For each row in [Table 10-20](#), subtract the ideal  $\Delta$  MKR reading from the actual  $\Delta$  MKR reading. Record the result as the IF gain deviation.

**14. Input Attenuator Switching Uncertainty: Agilent 8564E/EC, Agilent 8565E/EC****Calculating IF Gain Correction**

22. Calculate and record the IF gain correction factors in [Table 10-21](#) as described in the following steps:
- For each IF gain correction entry, there is a pair of numbers in parentheses. These numbers represent spectrum analyzer REF LVL settings from [Table 10-20](#).
  - Look up the IF gain deviation values in [Table 10-20](#) that correspond to these REF LVL settings.
  - Substitute test values for the numbers in parentheses in the IF gain correction entry and calculate the correction value. As an example, when calculating [Table 10-21](#) IF gain correction for the 20 dB ATTEN setting, look up the IF gain deviation values listed in [Table 10-20](#) for the –30 and –20 dBm REF LVL settings.
  - If the IF gain deviation for the –30 dBm REF LVL is +0.2 dB and the IF gain deviation for the –20 dBm REF LVL is –0.3 dB, then the IF gain correction for the 20 dB ATTEN setting is:

$$(+0.2) - (-0.3) = +0.5 \text{ dB}$$

**Input Attenuator Switching Uncertainty, 2.9 GHz**

23. Connect the equipment as shown in [Figure 10-16](#) using the Agilent 8491B Option 010 10 dB attenuator. The spectrum analyzer provides the frequency reference for the Agilent 8340A/B.
24. On the spectrum analyzer press, **FREQUENCY, 2.9, GHz**.
25. On the spectrum analyzer press, **AMPLITUDE, 10, –dBm, ATTEN, 10, +dBm, MKR, MARKERS OFF**.
26. On the Agilent 8340A/B, press **INSTR PRESET** and set the controls as follows:
- CW frequency . . . . . 2.9 GHz
- Power level . . . . . 0 dBm
27. On the spectrum analyzer press **MKR**.
28. Adjust the Agilent 8340A/B **POWER LEVEL** for a spectrum analyzer MKR amplitude reading of –13 dBm ±0.05 dB.
29. On the spectrum analyzer press **MKR, MARKER DELTA, AMPLITUDE, ATTEN, 20, dB**.

**14. Input Attenuator Switching Uncertainty: Agilent 8564E/EC, Agilent 8565E/EC**

30. After a new sweep has finished, record the spectrum analyzer  $\Delta$  MKR amplitude reading in [Table 10-21](#) as the  $\Delta$  MKR Reading (column 2).
31. Set the spectrum analyzer **ATTEN** to the settings indicated in [Table 10-21](#). Repeat step 30 for each **ATTEN** setting.
32. For each **ATTEN** setting in [Table 10-21](#), subtract the IF gain correction from the  $\Delta$  MKR reading (column 2) and record the result as the CSU.
33. For each attenuator setting from 20 through 60 dB, subtract the CSU value of the preceding setting from the current CSU value and record the result in [Table 10-21](#) as the incremental switching uncertainty.

Incremental switching uncertainty = current CSU – previous CSU

**Table 10-19**                      **Input Attenuator Switching Accuracy, 50 MHz**

Agilent 3335A Amplitude (dBm)	Spectrum Analyzer		$\Delta$ MKR Reading		Cumulative Switching Uncertainty (dB)	Incremental Switching Uncertainty (dB)	Measurement Uncertainty (dB)
	REF LVL (dBm)	ATTEN (dB)	Ideal (dB)	Actual (dB)			
-50	-70	10	0 (Ref.)	0 (Ref.)	0 (Ref.)	0 (Ref.)	0 (Ref.)
-40	-60	20	+10				$\pm 0.178$
-30	-50	30	+20				$\pm 0.178$
-20	-40	40	+30				$\pm 0.178$
-10	-30	50	+40				$\pm 0.178$
0	-20	60	+50				$\pm 0.178$

**Table 10-20**                      **IF Gain Deviation**

Spectrum Analyzer Ref Lvl (dBm)	Agilent 3335A Amplitude (dBm)	$\Delta$ MKR Reading		IF Gain Deviation (dB)
		Actual (dB)	Ideal (dB)	
-10	+5	0 (Ref.)	0 (Ref.)	0 (Ref.)
-20	-5		-10	
-30	-15		-20	
-40	-25		-30	
-50	-35		-40	
-60	-45		-50	
-70	-55		-60	



## 14. Input Attenuator Switching Uncertainty: Agilent 8564E/EC, Agilent 8565E/EC

Table 10-21 Input Attenuator Switching Uncertainty, 2.9 GHz

Spectrum Analyzer ATTEN (dB)	$\Delta$ MKR Reading (dB)	IF Gain Correction (dB)		Cumulative Switching Uncertainty (dB)	Incremental Switching Uncertainty (dB)	Measurement Uncertainty (dB)
10	0 (Ref.)	0 (Ref.)		0 (Ref.)	0 (Ref.)	0 (Ref.)
20			[(-30)– (-20)]			$\pm 0.23$
30			[(-40)– (-20)]			$\pm 0.23$
40			[(-50)– (-20)]			$\pm 0.23$
50			[(-60)– (-20)]			$\pm 0.23$
60			[(-70)– (-20)]			$\pm 0.24$

## 15. IF Gain Uncertainty

### Instrument Under Test

All 8560 E-Series and EC-Series

### Related Specification

IF Gain Uncertainty

### Related Adjustment

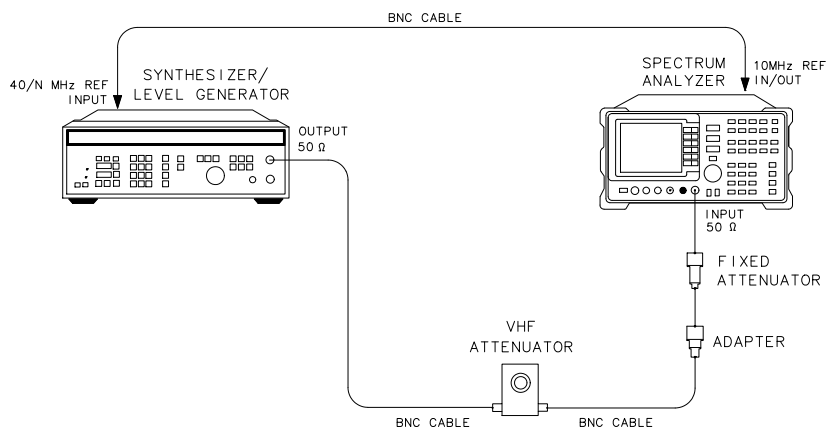
IF Amplitude Adjustment

### Description

This test measures the log (10 dB and 1 dB) and linear IF gain uncertainties. A 0 dBm signal is displayed near the reference level for each test. The input signal level is decreased as the spectrum analyzer reference level is decreased (IF gain increased). Since the signal level decreases in accurate steps, any error between the reference level and the signal level is caused by the analyzer IF gain. The frequency synthesizer is phase-locked to the spectrum analyzer 10 MHz reference.

Figure 10-17

### IF Gain Uncertainty Test Setup



dp17e

### Equipment

- Frequency synthesizer . . . . . Agilent 3335A
- 10 dB coaxial fixed attenuator . . . . . Agilent 8491B, Option 010
- 1 dB VHF step attenuator . . . . . Agilent 355C

**Adapter**

- Type N (m) to BNC (f) . . . . . 1250-1476
- Type N (f) to 2.4 mm (f) . . . . . Agilent 11903B  
(for Agilent 8564E/EC and Agilent 8565E/EC)

**Cable**

- BNC, 122 cm (48 in.) (3 required) . . . . . Agilent 10503A

**Procedure**

1. Connect the equipment as shown in [Figure 10-17](#). The spectrum analyzer under test provides the frequency reference for the Agilent 3335A.

**Log Gain Uncertainty (10 dB Steps)**

2. Set the Agilent 3335A controls as follows:
  - Frequency . . . . . 50 MHz
  - Amplitude . . . . . +10 dB
  - Amplitude increment . . . . . 10 dB
  - Output . . . . . 50  $\Omega$
3. On the spectrum analyzer, press **PRESET, CAL, REALIGN LO &IF**. Wait for the adjustments to finish.
4. Set the controls as follows:
  - Center frequency . . . . . 50 MHz
  - Span . . . . . 0 Hz
  - Log dB/division . . . . . 1 dB
  - Resolution BW . . . . . 1 kHz
  - Video BW . . . . . 1 Hz
5. Set the Agilent 355C to 0 dB attenuation.
6. On the spectrum analyzer, press **MKR**.
7. Adjust the Agilent 355C to place the signal 2 or 3 dB (two to three divisions) below the spectrum analyzer reference level.
8. On the spectrum analyzer, press **SGL SWP, SGL SWP, MKR, MARKER DELTA**.

**15. IF Gain Uncertainty**

9. On the Agilent 3335A, press **AMPLITUDE**, then **INCR**, ↓.
10. Set spectrum analyzer reference level: **AMPLITUDE**, **REF LVL**, 10, **-dBm**, **SGL SWP**. Wait for the sweep to finish.
11. Record the spectrum analyzer  $\Delta$  MKR amplitude reading in [Table 10-22](#) as the actual  $\Delta$  MKR reading.
12. Repeat steps 9 through 11 for the remaining spectrum analyzer REF LVL settings listed in [Table 10-22](#).

**Log Gain Uncertainty (1 dB Steps)**

13. On the Agilent 3335A, press **AMPLITUDE**, 10, **+dBm**, **AMPTD INCR**, 1, **dB**.
14. Set the spectrum analyzer controls as follows:  
Marker . . . . . normal  
Reference level . . . . . 0 dBm  
Log dB/division . . . . . 1 dB  
Trigger . . . . . Continuous
15. Adjust the Agilent 355C to place the signal 2 dB to 3 dB (two to three divisions) below the spectrum analyzer reference level.
16. On the spectrum analyzer, press **SGL SWP**, **SGL SWP**, **MKR**, **MARKER DELTA**.
17. On the Agilent 3335A, press **AMPLITUDE**, **INCR**, ↓.
18. On the spectrum analyzer, press **AMPLITUDE**, ↓, **SGL SWP**. Wait for the sweep to finish.
19. Record the spectrum analyzer  $\Delta$  MKR amplitude reading in [Table 10-23](#) as the actual  $\Delta$  MKR reading.
20. Repeat steps 17 through 19 for the remaining spectrum analyzer REF LVL settings listed in [Table 10-23](#).

**Linear Gain Uncertainty**

21. On the Agilent 3335A, press **AMPLITUDE**, 10, **+dBm**, **AMPTD INCR**, 10, **dB**.

22. Set the controls on the spectrum analyzer under test to the following:
- Marker . . . . . normal
  - Reference level . . . . . 0 dBm
  - Amplitude scale . . . . . linear
  - Units . . . . . dBm
  - Trigger . . . . . Continuous
23. Adjust the Agilent 355C to place the signal two to three divisions below the spectrum analyzer reference level. The marker should read between –2 dBm and –3 dBm.
24. On the spectrum analyzer, press **SGL SWP, SGL SWP, MKR, MARKER DELTA**.
25. On the Agilent 3335A, press **AMPLITUDE**.
26. On the Agilent 3335A, press **INCR, ↓**.
27. Set the spectrum analyzer REF LVL to –10 dBm.
28. On the spectrum analyzer, press **SGL SWP**.
29. Record the spectrum analyzer  $\Delta$  MKR amplitude reading in [Table 10-24](#) as the actual  $\Delta$  MKR reading.
30. Repeat steps 25 through 29 for the remaining spectrum analyzer REF LVL settings listed in [Table 10-24](#).

**Table 10-22 Log IF Gain Uncertainty (10 dB Steps)**

Spectrum Analyzer REF LVL (dBm)	Agilent 3335A Amplitude (dBm)	$\Delta$ MKR Reading Actual (dB)	Measurement Uncertainty (dB)
0	+10 (Ref.)	0 (Ref.)	$\pm 0.11$
–10	0		$\pm 0.11$
–20	–10		$\pm 0.11$
–30	–20		$\pm 0.11$
–40	–30		$\pm 0.11$
–50	–40		$\pm 0.11$
–60	–50		$\pm 0.14$
–70	–60		$\pm 0.14$
–80	–70		$\pm 0.14$

**Table 10-23 Log IF Gain Uncertainty (1 dB Steps)**

Spectrum Analyzer REF LVL (dBm)	Agilent 3335A Amplitude (dBm)	$\Delta$ MKR Reading Actual (dB)	Measurement Uncertainty (dB)
0	+10 (Ref.)	0 (Ref.)	$\pm 0.11$
-1	+9		$\pm 0.11$
-2	+8		$\pm 0.11$
-3	+7		$\pm 0.11$
-4	+6		$\pm 0.11$
-5	+5		$\pm 0.11$
-6	+4		$\pm 0.11$
-7	+3		$\pm 0.11$
-8	+2		$\pm 0.11$
-9	+1		$\pm 0.11$
-10	0		$\pm 0.11$
-11	-1		$\pm 0.11$
-12	-2		$\pm 0.11$

**Table 10-24 Linear IF Gain Uncertainty**

Spectrum Analyzer REF LVL (dBm)	Agilent 3335A Amplitude (dBm)	$\Delta$ MKR Reading Actual (dB)	Measurement Uncertainty (dB)
0	+10 (Ref.)	0 (Ref.)	$\pm 0.11$
-10	0		$\pm 0.11$
-20	-10		$\pm 0.11$
-30	-20		$\pm 0.11$
-40	-30		$\pm 0.11$
-50	-40		$\pm 0.11$
-60	-50		$\pm 0.14$
-70	-60		$\pm 0.14$
-80	-70		$\pm 0.14$

## 16. Scale Fidelity

### Instrument Under Test

All 8560 E-Series and EC-Series

### Related Specification

Log Fidelity  
Linear Fidelity

### Related Adjustment

IF Amplitude Adjustments  
Log Amplifier Adjustments

### Description

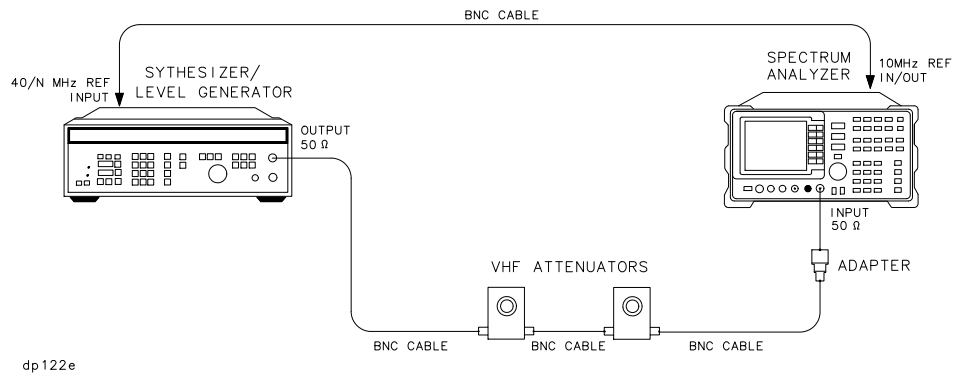
The 10 dB/div, 2 dB/div, and linear scales are tested for fidelity. The 10 dB/div scale is tested in RES BW settings of 10 Hz and 300 Hz. A signal is set to the reference level for each scale. As the signal amplitude is decreased, the displayed signal amplitude is compared to the reference level.

Incremental log fidelity is calculated from the cumulative log fidelity data. The nominal difference between the cumulative log fidelity data points selected is 12 dB for the 10 dB/div scale and 2 dB for the 2 dB/div scale. These differences ensure that the uncertainty due to the marker amplitude resolution is less than one-fourth of the specification.

The spectrum analyzer provides the 10 MHz reference to the synthesizer/level generator.

Figure 10-18

Scale Fidelity Test Setup



**16. Scale Fidelity****Equipment**

Synthesizer/level generator . . . . .	Agilent 3335A
1 dB VHF step attenuator . . . . .	Agilent 355C
10 dB VHF step attenuator . . . . .	Agilent 355D

**Adapter**

Type N (m) to BNC (f) . . . . .	1250-1476
Type N (f) to 2.4 mm (f) . . . . .	Agilent 11903B
<i>(for Agilent 8564E/EC and Agilent 8565E/EC)</i>	

**Cable**

BNC, 122 cm (48 in.) ( <i>4 required</i> ) . . . . .	Agilent 10503A
--	----------------

**Procedure**

1. Connect the equipment as shown in [Figure 10-18](#). The spectrum analyzer provides the frequency reference for the Agilent 3335A.
2. Set the Agilent 3335A controls as follows:
 

Frequency . . . . .	50 MHz
Amplitude . . . . .	+12 dBm
Amplitude increment . . . . .	0.05 dB
Output . . . . .	50 $\Omega$
3. On the spectrum analyzer, press **PRESET**, **CAL**, **REALIGN LO & IF**. Wait for the adjustments to finish. Set the controls as follows:
 

Center frequency . . . . .	50 MHz
Span . . . . .	.0 Hz
Resolution BW . . . . .	300 Hz
Video BW . . . . .	100 Hz
Sweep time . . . . .	2 s
4. Set the Agilent 355C to 6 dB and Agilent 355D to 10 dB.
5. On the spectrum analyzer, press **MKR**.
6. Adjust the Agilent 355C and the Agilent 355D until the spectrum analyzer marker amplitude reads between 0 dBm and –1 dBm.



**10 dB/Div Log Scale, RES BW ≥ 300 Hz**

7. On the Agilent 3335A, press **AMPLITUDE** and use the **INCR** keys to adjust the amplitude until the spectrum analyzer marker reads exactly 0 dBm ±0.17 dB.
8. On the Agilent 3335A, set **AMPTD INCR** to 6 dB. Press **AMPLITUDE**.
9. On the spectrum analyzer, press **SGL SWP, MKR, MKRNOISE ON, MARKER DELTA**. Press **AMPLITUDE, MORE 1 OF 3, REF LVL OFFSET, 22.8, dB, SGL SWP**. The reference level offset effectively removes the noise marker corrections for the envelope detector, log amplifiers, and noise bandwidth correction.
10. Press **INCR ↓** key on the Agilent 3335A to set the amplitude to the next nominal value listed in [Table 10-25](#).
11. On the spectrum analyzer, press **SGL SWP** and wait for the completion of a new sweep. Subtract 0.02 dB from the  $\Delta$ MKR amplitude reading and record the result as the  $\Delta$ MKR reading in [Table 10-25](#), column 3.

---

**NOTE**

The noise marker subtracts 22.78 dB from the 32 data point average. The reference level offset can only correct for 22.8 dB of this difference due to its 0.1 dB resolution. Subtracting 0.02 dB from the  $\Delta$ MKR reading corrects for the 0.02 dB residual error.

---

12. Repeat steps 10 and 11 for each (nominal) Agilent 3335A amplitude setting in [Table 10-25](#).
13. The log fidelity incremental error in the 10 dB/div scale is calculated only for readings from –12 dB to –90 dB from the reference level.
14. Calculate the incremental error for a given dB from REF LVL as follows:
  - a. Set current  $\Delta$ MKR equal to the  $\Delta$ MKR reading for the current dB from REF LVL setting.
  - b. Set previous  $\Delta$ MKR equal to the  $\Delta$ MKR reading for the dB from REF LVL setting listed in parenthesis in the incremental error column for the current dB from REF LVL setting.
  - c. Calculate the incremental error as follows:

$$\text{Incremental error (dB/dB)} = (\text{current } \Delta\text{MKR} - \text{previous } \Delta\text{MKR} + 12 \text{ dB}) / 12$$

For example, given:

$\Delta$ MKR reading at –18 dB from REF LVL = –17.83 dB

$\Delta$ MKR reading at –24 dB from REF LVL = –24.17 dB

$\Delta$ MKR reading at –30 dB from REF LVL = –30.33 dB

The incremental error for the –30 dB  $\Delta$ MKR reading from the REF LVL

**16. Scale Fidelity**

setting (–30.33 dB) is calculated as follows:

$$\begin{aligned} \text{Incremental error} &= (-30.33 - (-17.83) + 12) / 12 \\ &= -0.50 / 12 \\ &= -0.042 \text{ dB/dB} \end{aligned}$$

**10 dB/Div Log Scale, RES BW ≤ 100 Hz**

15. Set the spectrum analyzer controls as follows:

Trigger . . . . . Continuous  
 Reference level offset . . . . . 0 dB  
 Markers . . . . . off  
 Span . . . . . 100 Hz  
 Resolution BW . . . . . 10 Hz  
 Sweep time . . . . . Automatic

16. Set the Agilent 3335A controls as follows:

Amplitude . . . . . +12 dBm  
 Amplitude increment . . . . . 0.05 dB

17. Set the Agilent 355C to 6 dB and Agilent 355D to 10 dB.

18. On the spectrum analyzer, press **PEAK SEARCH**.

19. Adjust the Agilent 355C and the Agilent 355D until the spectrum analyzer marker amplitude reads between 0 dBm and –1 dBm.

20. On the Agilent 3335A, press **AMPLITUDE** and use the **INCR** keys to adjust the amplitude until the spectrum analyzer marker reads exactly 0 dBm ±0.17 dB.

21. On the Agilent 3335A, set **AMPTD INCR** to 6 dB. Press **AMPLITUDE**.

22. On the spectrum analyzer, press **SGL SWP**, **PEAK SEARCH**, **MARKER DELTA**.

23. Press **INCR** ↓ key on the Agilent 3335A to set the amplitude to the next nominal value listed in [Table 10-26](#).

**NOTE**

Set **AMPTD INCR** to 4 dB before setting the Agilent 3335A amplitude to the last two power levels.

24. If the dB from REF LVL (nominal) is  $\geq -80$  dB ( $-40$  dB, for example), press **SGL SWP** and wait until a new sweep is completed. Press **PEAK SEARCH** and record the  $\Delta$ MKR amplitude reading in [Table 10-26](#), column 3.
25. If the dB from REF LVL (nominal) is  $< -80$  dB ( $-84$  dB, for example), press **TRIG, CONT, BW, VID AVG ON, 1, 0, HZ**, and wait for  $V_{AVG} 10$  to be displayed above the graticule. Press **SGL SWP** and wait until a new sweep is completed. Press **PEAK SEARCH** and record the  $\Delta$ MKR amplitude reading in [Table 10-26](#), column 3.
26. Repeat steps 23, 24, and 25 for each (nominal) Agilent 3335A amplitude setting in [Table 10-26](#).
27. Calculate the incremental error for a given dB from REF LVL as follows:
  - a. Set current  $\Delta$ MKR equal to the  $\Delta$ MKR reading for the current dB from REF LVL setting.
  - b. Set previous  $\Delta$ MKR equal to the  $\Delta$ MKR reading for the dB from REF LVL setting listed in parenthesis in the incremental error column for the current dB from REF LVL setting.
  - c. Calculate the incremental error as follows:

$$\text{Incremental error (dB/dB)} = (\text{current } \Delta\text{MKR} - \text{previous } \Delta\text{MKR} + 12 \text{ dB}) / 6$$

For example, given:

$\Delta$ MKR reading at  $-18$  dB from REF LVL =  $-17.83$  dB

$\Delta$ MKR reading at  $-24$  dB from REF LVL =  $-24.17$  dB

$\Delta$ MKR reading at  $-30$  dB from REF LVL =  $-30.33$  dB

The incremental error for the  $-30$  dB from REF LVL setting is calculated as follows:

$$\begin{aligned} \text{Incremental error} &= (-30.33 - (-17.83) + 12) / 6 \\ &= -0.50 / 6 \\ &= -0.083 \text{ dB/2 dB} \end{aligned}$$

### 2 dB/Div Log Scale

28. Set the spectrum analyzer controls as follows:

Trigger . . . . . Continuous  
 Markers . . . . . off  
 Log dB/division . . . . . 2 dB  
 Span . . . . . 0 Hz  
 Resolution BW . . . . . 1 kHz

**16. Scale Fidelity**

Video BW . . . . .300 Hz

Sweep time . . . . . 1 s

Video average . . . . . off

29. Set the Agilent 3335A controls as follows:

Amplitude . . . . .+12 dBm

Amplitude increment . . . . . 0.01 dB

30. Set the Agilent 355C and Agilent 355D to 0 dB.

31. On the spectrum analyzer, press **MKR**.

32. Adjust the Agilent 355C and the Agilent 355D until the spectrum analyzer marker amplitude reads between 0 dBm and –1 dBm.

33. On the Agilent 3335A, press **AMPLITUDE** and use the **INCR** keys to adjust the amplitude until the spectrum analyzer marker reads exactly 0 dBm ±0.02 dB.

34. On the Agilent 3335A, set **AMPTD INCR** to 2 dB. Press **AMPLITUDE**.

35. On the spectrum analyzer, press **SGL SWP**, **MKR**, **MARKER DELTA**.

36. Press **INCR** ↓ key on the Agilent 3335A to set the amplitude to the next nominal value listed in [Table 10-27](#).

37. On the spectrum analyzer, press **SGL SWP** and wait for the completion of a new sweep. Record the ΔMKR amplitude reading in [Table 10-27](#), column 3.

38. Repeat steps 36 and 37 for each (nominal) Agilent 3335A amplitude setting in [Table 10-27](#).

39. From each ΔMKR reading in [Table 10-27](#), subtract the previous ΔMKR reading. Add 2 dB to this number. Divide this result by 2 dB and record the result as the incremental error in [Table 10-27](#).

$$\text{Incremental error} = (\text{current } \Delta\text{MKR} - \text{previous } \Delta\text{MKR} + 2) / 2$$

### Linear Scale

40. Set the spectrum analyzer controls as follows:
  - Trigger . . . . . Continuous
  - Amplitude scale . . . . . linear
  - Amplitude units . . . . . dBm
41. Set the Agilent 3335A controls as follows:
  - Amplitude . . . . . +12 dBm
  - Amplitude increment . . . . . 0.01 dB
42. Set the Agilent 355C and Agilent 355D to 0 dB.
43. On the spectrum analyzer, press **MKR, MARKER NORMAL**.
44. Adjust the Agilent 355C and the Agilent 355D until the spectrum analyzer marker amplitude reads between 0 dBm and –1 dBm.
45. On the Agilent 3335A, press **AMPLITUDE** and use the INCR keys to adjust the amplitude until the spectrum analyzer marker reads exactly 0 dBm ± 0.02 dB.
46. On the Agilent 3335A, set **AMPTD INCR** to 2 dB. Press **AMPLITUDE**.
47. On the spectrum analyzer, press **SGL SWP, MKR, MARKER DELTA**.
48. Press **INCR** ↓ key on the Agilent 3335A to set the amplitude to the next nominal value listed in [Table 10-28](#).
49. On the spectrum analyzer, press **SGL SWP** and wait for the completion of a new sweep. Record the ΔMKR amplitude reading in [Table 10-28](#), column 3.
50. Repeat steps 48 and 49 for each (nominal) Agilent 3335A amplitude setting in [Table 10-28](#).

## 16. Scale Fidelity

Table 10-25

10 dB/Div Log Scale Fidelity (RES BW  $\geq 300$  Hz)

Agilent 3335A Amplitude* (dBm, nominal)	dB from REF LVL (nominal)	$\Delta$ MKR Reading (dB)	Incremental Error (dB)	Measurement Uncertainty (dB)
+12	0	0 (Ref)	0 (Ref)	0
+6	-6		N/A	$\pm 0.24$
+0	-12		(0)	$\pm 0.24$
-6	-18		(-6)	$\pm 0.24$
-12	-24		(-12)	$\pm 0.24$
-18	-30		(-18)	$\pm 0.24$
-24	-36		(-24)	$\pm 0.24$
-30	-42		(-30)	$\pm 0.24$
-36	-48		(-36)	$\pm 0.24$
-42	-54		(-42)	$\pm 0.24$
-48	-60		(-48)	+0.25/-0.26
-54	-66		(-54)	+0.25/-0.26
-60	-72		(-60)	+0.25/-0.26
-66	-78		(-66)	+0.25/-0.26
-72	-84		(-72)	+0.25/-0.26
-78	-90		(-78)	+0.25/-0.26

\*These are nominal amplitude values only, assuming the signal is at the reference level with the Agilent 3335A set to +12 dBm. Use the in INCR keys to step the amplitude precise 6 dB (or 4 dB) steps.

**Table 10-26**      **10 dB/Div Log Scale Fidelity (RES BW ≤100 Hz)**

Agilent 3335A Amplitude* (dBm, nominal)	dB from REF LVL (nominal)	Δ MKR Reading (dB)	Incremental Error (dB)	Measurement Uncertainty (dB)
+12	0	0 (Ref)	0 (Ref)	0
+6	-6		N/A	±0.24
+0	-12		(0)	±0.24
-6	-18		(-6)	±0.24
-12	-24		(-12)	±0.24
-18	-30		(-18)	±0.24
-24	-36		(-24)	±0.24
-30	-42		(-30)	±0.24
-36	-48		(-36)	±0.24
-42	-54		(-42)	±0.24
-48	-60		(-48)	±0.24
-54	-66		(-54)	±0.24
-60	-72		(-60)	+0.25/-0.26
-66	-78		(-66)	+0.25/-0.26
-72	-84		(-72)	+0.25/-0.26
-78	-90		(-78)	+0.25/-0.26
-82†	-94		N/A	+0.25/-0.26
-86†	-98		N/A	+0.25/-0.26

\* These are nominal amplitude values only, assuming the signal is at the reference level with the Agilent 3335A set to +12 dBm. Use the INCR keys to step the amplitude in precise 6 dB (or 4 dB) steps.

† INCR keys cannot be used to set this step; key in the amplitude from the previous step (that is, -78 dBm, nominal, -4 dB).

**Table 10-27      2 dB/Div Log Scale Fidelity**

Agilent 3335A Amplitude* (dBm, nominal)	dB from REF LVL (nominal)	$\Delta$ MKR Reading (dB)	Incremental Error (dB)	Measurement Uncertainty (dB)
+12	0	0 (Ref)	0 (Ref)	0
+10	-2			$\pm 0.053$
+8	-4			$\pm 0.053$
+6	-6			$\pm 0.053$
+4	-8			$\pm 0.053$
+2	-10			$\pm 0.053$
+0	-12			$\pm 0.053$
-2	-14			$\pm 0.053$
-4	-16			$\pm 0.053$
-6	-18			$\pm 0.053$

\* These are nominal amplitude values only, assuming the signal is at the reference level with the Agilent 3335A set to +12 dBm. Use the INCR keys to step the amplitude in precise 2 dB steps.

**Table 10-28      Linear Scale Fidelity**

Agilent 3335A Amplitude* (dBm, nominal)	dB from REF LVL (nominal)	$\Delta$ MKR Reading (dB)	Measurement Uncertainty (dB)
+12	0	0 (Ref)	0
+10	-2		$\pm 0.03$
+8	-4		$\pm 0.03$
+6	-6		$\pm 0.03$
+4	-8		$\pm 0.03$
+2	-10		$\pm 0.03$
+0	-12		$\pm 0.03$
-2	-14		$\pm 0.03$
-4	-16		$\pm 0.03$
-6	-18		$\pm 0.03$

\* These are nominal amplitude values only, assuming the signal is at the reference level with the Agilent 3335A set to +12 dBm. Use the INCR keys to step the amplitude in precise 2 dB steps.



# 17. Residual FM

## Instrument Under Test

All 8560 E-Series and EC-Series

## Related Specification

Residual FM

## Related Adjustment

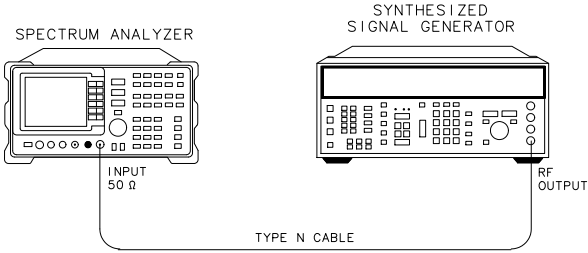
There is no related adjustment for this performance test.

## Description

This test measures the inherent short-term instability of the spectrum analyzer. A stable signal is applied to the spectrum analyzer input. The analyzer is set to zero span and the signal is slope-detected on the skirt of the 10 Hz RES BW. Any instability in the spectrum analyzer LO system is transferred to the IF in the mixing process. The markers are used to locate a 20 ms portion of the trace with the greatest amplitude deviation. This amplitude deviation is converted to a frequency deviation, the residual FM, by multiplying the deviation by the slope of the 10 Hz filter.

Figure 10-19

## Residual FM Test Setup



dp110e

## Equipment

Synthesized signal generator. . . . . Agilent 8663A

### Adapter

Type N (f) to APC 3.5 (f) (Option 026 only) . . . . . 1250-1745

Type N (f) to 2.4 mm (f) . . . . . Agilent 11903B

## 17. Residual FM

(for Agilent 8564E/EC and Agilent 8565E/EC)

### Cable

Type N, 183 cm (79 inches) . . . . . Agilent 11500A

### Procedure

1. Connect the equipment as shown in [Figure 10-19](#).
2. Set the Agilent 8663A controls as follows:  
Frequency . . . . . 2500 MHz  
Amplitude . . . . . 0 dBm
3. Press **PRESET** on the spectrum analyzer. Set the spectrum analyzer controls as follows:  
Center frequency . . . . . 2.5 GHz  
Span . . . . . 1 MHz
4. On the spectrum analyzer, press **PEAK SEARCH, MKR, SIG TRK ON, SPAN, 5, kHz**. Wait for the signal to be centered in a 5 kHz span.
5. On the spectrum analyzer, press **BW, 10, Hz, SPAN, 100, Hz**. Wait for the signal to be centered in a 100 Hz span.
6. On the spectrum analyzer, press **MKR, SIG TRK OFF, AMPLITUDE, LOG dB/DIV, 2, dB**.
7. Press **PEAK SEARCH, MKR →, MARKER → REF LVL, PEAK SEARCH, MARKER DELTA**.
8. On the spectrum analyzer, rotate the knob counterclockwise until the  $\Delta$ MKR amplitude is  $-10 \text{ dB} \pm 0.5 \text{ dB}$ .
9. On the spectrum analyzer, press **MARKER NORMAL, MARKER → CF, SPAN, ZERO SPAN, SWEEP, 200, ms**.
10. If the displayed trace is not about 5 divisions below the reference level, press **FREQUENCY** and use the knob to adjust the center frequency until the trace is approximately 5 divisions below the reference level.
11. Press **SGL SWP, MKR**.

12. Locate the horizontal division with the greatest amplitude deviation. Rotate the knob to place the marker at the highest point in the horizontal division with the greatest amplitude division. Press **MARKER DELTA**. Rotate the knob to place the marker at the lowest point within the same division. Record the absolute value of the  $\Delta$ MKR amplitude below as the amplitude deviation.

Amplitude deviation \_\_\_\_\_ dB

13. Multiply the amplitude deviation above by 0.457 Hz/dB. This is the slope of the 10 Hz RES BW filter at 10 dB below the peak of the filter. Record the result below as the residual FM.

Residual FM \_\_\_\_\_ Hz

## 18. Noise Sidebands: 8560E, Agilent 8561E, Agilent 8563E

### Instrument Under Test

8560E/, serial number prefix <3424A

Agilent 8561E, serial number prefix <3424A

Agilent 8563E, serial number prefix <3436A

### Related Specification

Noise Sidebands

### Related Adjustment

There is no related adjustment procedure for this performance test.

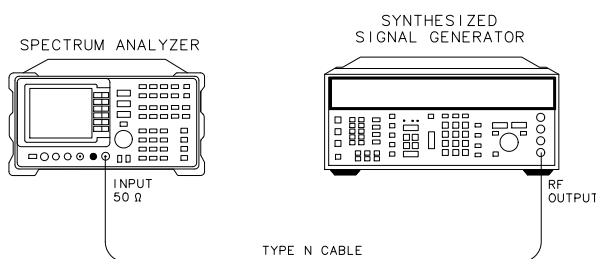
### Description

The noise sidebands of a 1.0 GHz, –10 dBm signal are measured at offsets of 100 Hz, 1 kHz, 10 kHz, 30 kHz, and 100 kHz from the carrier. The noise marker and video averaging functions are used to average the noise sidebands at each offset.

#### NOTE

Do not use this test for 8560E/EC, Agilent 8561E/EC, or Agilent 8563E/EC spectrum analyzers with serial number prefixes greater than or equal to those listed above. For these newer analyzers, use test 19 instead.

**Figure 10-20** Noise Sidebands Test Setup



dp110e

### Equipment

Synthesized signal generator . . . . . Agilent 8663A

**Cable**

Type N, 183 cm (72 in.) . . . . . Agilent 11500A

**Procedure**

1. Connect the equipment as shown in [Figure 10-20](#).
2. Set the Agilent 8663A controls as follows:
  - CW frequency . . . . . 1.0 GHz
  - Power level . . . . . –15 dBm
3. On the spectrum analyzer, press **PRESET**. Set the controls as follows:
  - Center frequency . . . . . 1.0 GHz
  - Center frequency step . . . . . 100 Hz
  - Span . . . . . 10 kHz
  - Reference level . . . . . –10 dBm
  - Attenuation . . . . . 0 dB
4. Press **PEAK SEARCH, MKR, SIG TRK ON, SPAN, 100, Hz**. Wait for the completion of two sweeps in a 100 Hz span, then press **MKR, SIG TRK OFF, BW, 10, Hz, VIDEO BW, 1, Hz**.
5. Adjust the signal generator amplitude as necessary to place the peak of the signal at the spectrum analyzer reference level.
6. On the spectrum analyzer, press **SGL SWP**. Wait for the sweep to complete, then press **PEAK SEARCH, MKR, MKR NOISE ON, MARKER DELTA, AMPLITUDE, 50, –dBm, BW, VID AVG ON, 5, Hz**.
7. On the spectrum analyzer, press **FREQUENCY, ↑ TRIG, SWEEP CONT, TRACE, CLEAR WRITE A**.
8. Wait until **VAVG 5** is displayed above the graticule. Press **SGL SWP** and wait for the sweep to complete.
9. Record the  $\Delta$  MKR amplitude in [Table 10-29](#), column 2, as single sideband noise for +100 Hz offset.
10. On the spectrum analyzer, press **FREQUENCY, ↓, ↓, TRIG, SWEEP CONT, TRACE, CLEAR WRITE A**.
11. Wait until **VAVG 5** is displayed above the graticule. Press **SGL SWP** and wait for the sweep to complete.
12. Record the  $\Delta$  MKR amplitude in [Table 10-29](#), column 2, as the single sideband noise for –100 Hz offset.
13. On the spectrum analyzer, press **FREQUENCY, ↑, CF STEP, 1, kHz**.

**18. Noise Sidebands: 8560E, Agilent 8561E, Agilent 8563E**

14. Repeat steps 7 through 12 for a center frequency step of 1 kHz. Record the  $\Delta$  MKR amplitudes in [Table 10-29](#), column 2, as single sideband noise for +1 kHz and –1 kHz offsets.
15. On the spectrum analyzer, press **FREQUENCY**,  $\uparrow$ , **CF STEP**, 10, **kHz**.
16. Repeat steps 7 through 12 for a center frequency step of 10 kHz. Record the  $\Delta$  MKR amplitudes in [Table 10-29](#), column 2, as single sideband noise for +10 kHz and –10 kHz offsets.
17. On the spectrum analyzer, press **FREQUENCY**,  $\uparrow$ , **CF STEP**, 30, **kHz**.
18. Repeat steps 7 through 12 for a center frequency step of 30 kHz. Record the  $\Delta$  MKR amplitudes in [Table 10-29](#), column 2, as single sideband noise for +30 kHz and –30 kHz offsets.
19. On the spectrum analyzer, press **FREQUENCY**,  $\uparrow$ , **CF STEP**, 100, **kHz**.
20. Repeat steps 7 through 12 for a center frequency step of 100 kHz. Record the  $\Delta$  MKR amplitudes in [Table 10-29](#), column 2, as single sideband noise for +100 kHz and –100 kHz offsets.

**Table 10-29****Noise Sidebands**

<b>Offset (kHz)</b>	<b>Single Sideband Noise (dBc/Hz)</b>	<b>Measurement Uncertainty (dB)</b>
+0.1		+1.22/–1.34
–0.1		+1.22/–1.34
+1		+1.22/–1.34
–1		+1.22/–1.34
+10		+1.22/–1.34
–10		+1.22/–1.34
+30		+1.22/–1.34
–30		+1.22/–1.34
+100		+1.22/–1.34
–100		+1.22/–1.34

# 19. Noise Sidebands

## Instrument Under Test

8560E/EC, serial number prefix  $\geq 3424A$   
Agilent 8561E/EC, serial number prefix  $\geq 3424A$   
Agilent 8562E/EC  
Agilent 8563E/EC, serial number prefix  $\geq 3436A$   
Agilent 8564E/EC  
Agilent 8565E/EC

## Related Specification

Noise Sidebands

## Related Adjustment

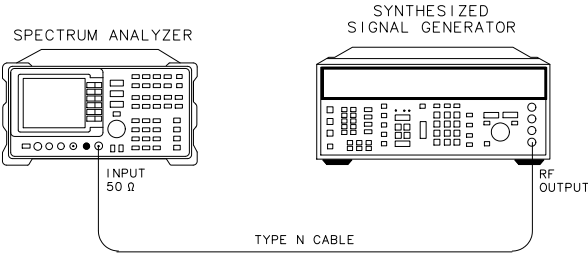
There is no related adjustment procedure for this performance test.

## Description

The noise sidebands of a 1.0 GHz,  $-10$  dBm signal are measured at offsets of 100 Hz, 1 kHz, 10 kHz, 30 kHz, and 100 kHz from the carrier. The noise marker and video averaging functions are used to average the noise sidebands at each offset.

Figure 10-21

Noise Sidebands Test Setup



dp110e

## Equipment

Synthesized signal generator. . . . . Agilent 8663A

### Adapter

Type N (f) to 2.4 mm (f) . . . . . Agilent 11903B

**19. Noise Sidebands****Cable**

Type N, 183 cm (72 in.) . . . . . Agilent 11500A

**Procedure**

1. Connect the equipment as shown in [Figure 10-21](#).
2. Set the Agilent 8663A controls as follows:
  - CW frequency . . . . . 1.0 GHz
  - Power level . . . . . –15 dBm
3. On the spectrum analyzer, press **PRESET**. Set the controls as follows:
  - Center frequency . . . . . 1.0 GHz
  - Center frequency step . . . . . 100 Hz
  - Span . . . . . 10 kHz
  - Reference level . . . . . –10 dBm
  - Attenuation . . . . . 0 dB
4. Press **PEAK SEARCH, MKR, SIG TRK ON, SPAN, 100, Hz**. Wait for the completion of two sweeps in a 100 Hz span, then press **MKR, SIG TRK OFF, BW, 10, Hz, VIDEO BW, 1, Hz**.
5. Adjust the signal generator amplitude as necessary to place the peak of the signal at the spectrum analyzer reference level.
6. On the spectrum analyzer, press **SGL SWP**. Wait for the sweep to complete, then press **PEAK SEARCH, MKR, MKR NOISE ON, MARKER DELTA, AMPLITUDE, 50, –dBm, BW, VID AVG ON, 5, Hz**.
7. On the spectrum analyzer, press **FREQUENCY, ↑, TRIG, SWEEP CONT, TRACE, CLEAR WRITE A**.
8. Wait until  $\Delta$  **VAVG** 5 is displayed above the graticule. Press **SGL SWP** and wait for the sweep to complete.
9. Record the  $\Delta$  **MKR** amplitude in [Table 10-30](#), column 2, as single sideband noise for +100 Hz offset.
10. On the spectrum analyzer, press **FREQUENCY, ↓, ↓, TRIG, SWEEP CONT, TRACE, CLEAR WRITE A**.
11. Wait until  $\Delta$  **VAVG** 5 is displayed above the graticule. Press **SGL SWP** and wait for the sweep to complete.
12. Record the  $\Delta$  **MKR** amplitude in [Table 10-30](#), column 2, as the single sideband noise for –100 Hz offset.
13. On the spectrum analyzer, press **FREQUENCY, ↑, CF STEP, 1, kHz**.



14. Repeat steps 7 through 12 for a center frequency step of 1 kHz. Record the  $\Delta$  MKR amplitudes in Table 10-30, column 2, as single sideband noise for +1 kHz and -1 kHz offsets.
15. On the spectrum analyzer, press **FREQUENCY**,  $\uparrow$ , **CF STEP**, 10, **kHz**.
16. Repeat steps 7 through 12 for a center frequency step of 10 kHz. Record the  $\Delta$  MKR amplitudes in Table 10-30, column 2, as single sideband noise for +10 kHz and -10 kHz offsets.
17. On the spectrum analyzer, press **FREQUENCY**,  $\uparrow$ , **CF STEP**, 30, **kHz**.
18. Repeat steps 7 through 12 for a center frequency step of 30 kHz. Record the  $\Delta$  MKR amplitudes in Table 10-30, column 2, as single sideband noise for +30 kHz and -30 kHz offsets.
19. On the spectrum analyzer, press **FREQUENCY**,  $\uparrow$ , **CF STEP**, 97, **kHz**.
20. Set the spectrum analyzer controls as follows:
 

Span . . . . .	10 kHz
Reference level . . . . .	-10 dBm
Markers . . . . .	off
Video average . . . . .	off
Resolution bandwidth . . . . .	3 kHz
Video bandwidth . . . . .	100 Hz
Trigger . . . . .	Continuous
21. Press **PEAK SEARCH**.
22. Adjust the signal generator amplitude as necessary to place the peak of the signal at the spectrum analyzer reference level.
23. On the spectrum analyzer, press **SGL SWP**. Wait for the sweep to complete, then press **PEAK SEARCH**, **MKR**, **MKR NOISE ON**, **MARKER DELTA**, **AMPLITUDE**, 50, **-dBm**, **BW**, **VID AVG ON**, 5, **Hz**.
24. Repeat steps 7 through 12 for a center frequency step of 100 kHz. Record the  $\Delta$  MKR amplitudes in Table 10-30, column 2, as single sideband noise for +100 kHz and -100 kHz offsets.

**Table 10-30**      **Noise Sidebands**

<b>Offset (kHz)</b>	<b>Single Sideband Noise (dBc/Hz)</b>	<b>Measurement Uncertainty (dB)</b>
+0.1		+1.22/-1.34
-0.1		+1.22/-1.34
+1		+1.22/-1.34
-1		+1.22/-1.34
+10		+1.22/-1.34
-10		+1.22/-1.34
+30		+1.22/-1.34
-30		+1.22/-1.34
+100		+1.22/-1.34
-100		+1.22/-1.34

## 20. Image, Multiple, and Out-of-Range Responses: 8560E/EC

### Instrument Under Test

8560E/EC

### Related Specification

Image and Multiple Responses

Out-of-Range Responses

### Related Adjustment

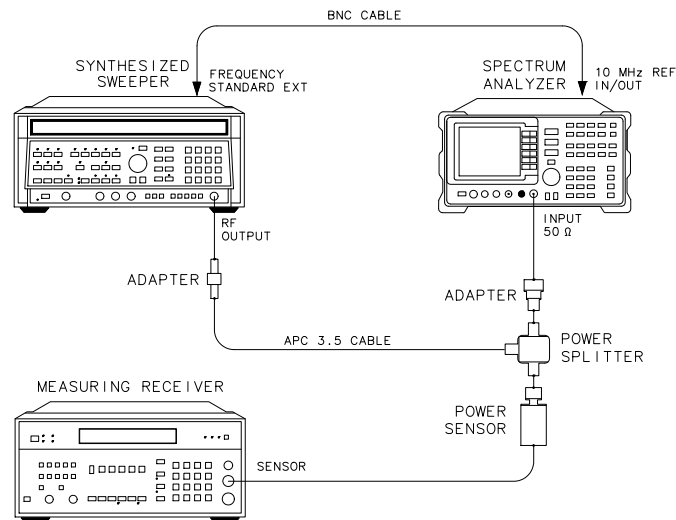
There is no related adjustment procedure for this performance test.

### Description

Image, multiple, and out-of-range responses are tested by first applying a signal to the analyzer that is at the tuned frequency, and making a reference amplitude measurement. The source is then tuned to a frequency which causes either an image, multiple, or out-of-range response. The amplitude displayed on the spectrum analyzer is measured and recorded.

Figure 10-22

### Image, Multiple, and Out-of-Range Responses Test Setup



dp111e

**Equipment**

Synthesized sweeper . . . . .	Agilent 8340A/B
Measuring receiver . . . . .	Agilent 8902A
Power sensor . . . . .	Agilent 8485A
Power splitter . . . . .	Agilent 11667B

**Adapters**

Type N (m) to APC 3.5 (m) . . . . .	1250-1743
-------------------------------------	-----------

**Cables**

BNC, 122 cm (48 in) . . . . .	Agilent 10503A
APC 3.5, 91 cm (36 in) . . . . .	8120-4921

**Procedure**

1. Connect the equipment as shown in [Figure 10-22](#), but do not connect the power sensor to the power splitter.
2. On the Agilent 8340A/B, press **INSTR PRESET**. Set the controls as follows:
 

CW frequency . . . . .	2 GHz
Power level . . . . .	-10 dBm
Frequency standard switch (rear panel) . . . . .	.EXT
3. On the spectrum analyzer, press **PRESET**. Set the controls as follows:
 

Center frequency . . . . .	2 GHz
Span . . . . .	10 kHz
Reference level . . . . .	-10 dBm
Attenuation . . . . .	.0 dB
Resolution BW . . . . .	1 kHz
4. Zero and calibrate the Agilent 8902A and the Agilent 8485A. Enter the power sensor 2 GHz calibration factor into the Agilent 8902A. Connect the Agilent 8485A to the Agilent 11667B power splitter.
5. Adjust the Agilent 8340A/B power level to place the signal peak at the reference level.
6. Press **RATIO** on the Agilent 8902A.
7. On the spectrum analyzer, press **PEAK SEARCH**, **MKR→**, **MARKER→ REF LVL**, **SGL SWP**, **PEAK SEARCH**, **MARKER DELTA**.

**20. Image, Multiple, and Out-of-Range Responses: 8560E/EC**

8. For each of the frequencies listed in [Table 10-31](#), do the following:
  - a. Set the Agilent 8340A/B to the listed CW key frequency.
  - b. Enter the appropriate power sensor calibration factor into the Agilent 8902A.
  - c. Set the Agilent 8340A/B power level for a 0 dB reading on the Agilent 8902A.
  - d. On the spectrum analyzer, press **SGL SWP**. Wait for completion of the sweep before continuing.
  - e. On the spectrum analyzer, press **PEAK SEARCH**, and record the  $\Delta$  MKR amplitude in [Table 10-31](#) as the response amplitude.

**Table 10-31****Image, Multiple, and Out-of-Range Responses**

<b>8560E/EC Center Freq (GHz)</b>	<b>Agilent 8340A/B CW (MHz)</b>	<b>Response Amplitude (dBc)</b>	<b>Measurement Uncertainty (dB)</b>
2.0	2021.4*		+0.82/–0.87
2.0	2621.4*		+0.82/–0.87
2.0	2321.4†		+0.82/–0.87
2.0	2600.0†		+0.82/–0.87
2.0	7910.7‡		+0.82/–0.87
2.0	9821.4‡		+0.82/–0.87
* Image response ‡ Out-of-range response † Multiple response			

## 21. Image, Multiple, Out-of-Band, and Out-of-Range Responses: Agilent 8561E/EC

### Instrument Under Test

Agilent 8561E/EC

### Related Specification

Image, Multiple, and Out-of-Band Responses  
Out-of-Range Responses

### Related Adjustment

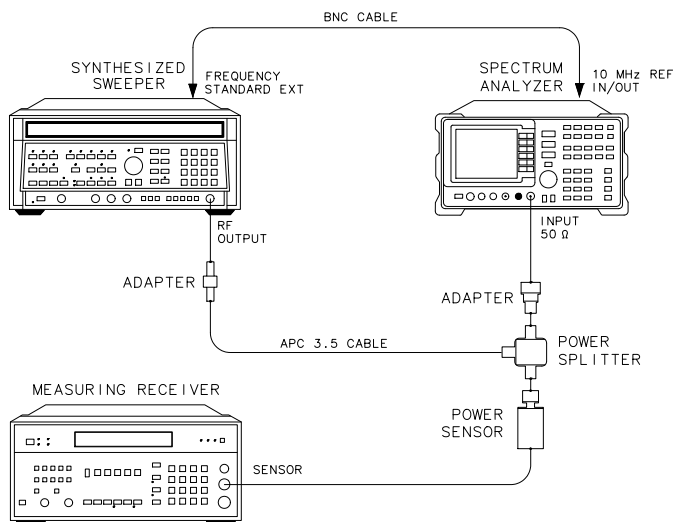
SYTF Adjustment

### Description

Image, multiple, out-of-band, and out-of-range responses are tested by first applying a signal to the analyzer that is at the tuned frequency, and making a reference amplitude measurement. The source is then tuned to a frequency which causes either an image, multiple, out-of-band, or out-of-range response. The amplitude displayed on the spectrum analyzer is measured and recorded.

Figure 10-23

Image, Multiple, Out-of-Band, and Out-of-Range Responses Test Setup



### Equipment

Synthesized sweeper . . . . . Agilent 8340A/B

**21. Image, Multiple, Out-of-Band, and Out-of-Range Responses: Agilent 8561E/EC**

Measuring receiver . . . . .	Agilent 8902A
Power sensor . . . . .	Agilent 8485A
Power splitter . . . . .	Agilent 11667B

**Adapter**

Type N (m) to APC 3.5 (m) . . . . .	1250-1743
-------------------------------------	-----------

**Cables**

BNC, 122 cm (48 in.) . . . . .	Agilent 10503A
APC 3.5, 91 cm (36 in.) . . . . .	8120-4921

**Procedure**

1. Connect the equipment as shown in [Figure 10-23](#), but do not connect the power sensor to the power splitter.
2. On the Agilent 8340A/B, press **INSTR PRESET**. Set the controls as follows:
 

CW frequency . . . . .	2 GHz
Power level . . . . .	-10 dBm
Frequency standard switch (rear panel). . . . .	EXT
3. On the spectrum analyzer, press **PRESET**. Set the controls as follows:
 

Center frequency . . . . .	2 GHz
Span . . . . .	10 kHz
Reference level . . . . .	-10 dBm
Attenuation . . . . .	0 dB
Resolution BW . . . . .	1 kHz
4. Zero and calibrate the Agilent 8902A and the Agilent 8485A. Enter the power sensor 2 GHz calibration factor into the Agilent 8902A. Connect the Agilent 8485A to the Agilent 11667B power splitter.
5. Adjust the Agilent 8340A/B power level to place the signal peak at the reference level.
6. Press **RATIO** on the Agilent 8902A.
7. On the spectrum analyzer, press **PEAK SEARCH**, **MKR**→, **MARKER**→ **REF LVL**, **SGL SWP**, **PEAK SEARCH**, **MARKER DELTA**.
8. For each of the frequencies listed in [Table 10-32](#), do the following:
  - a. Set the Agilent 8340A/B to the listed CW key frequency.

**21. Image, Multiple, Out-of-Band, and Out-of-Range Responses: Agilent 8561E/EC**

- b. Enter the appropriate power sensor calibration factor into the Agilent 8902A.
  - c. Set the Agilent 8340A/B power level for a 0 dB reading on the Agilent 8902A.
  - d. On the spectrum analyzer, press **SGL SWP**. Wait for completion of the sweep before continuing.
  - e. On the spectrum analyzer, press **PEAK SEARCH**, and record the  $\Delta$  MKR amplitude in [Table 10-32](#) as the response amplitude.
9. On the spectrum analyzer, press **MARKER, MARKERS OFF, TRIG, SWEEP CONT**.
10. Press **RATIO** on the Agilent 8902A.

**Band 1 Responses**

11. On the spectrum analyzer, press **FREQUENCY, CENTER FREQUENCY, 4, GHz**.
12. On the Agilent 8340A/B, set CW to 4 GHz and POWER LEVEL to –10 dBm.
13. Enter the power sensor 4 GHz calibration factor into the Agilent 8902A.
14. On the spectrum analyzer, press **AUX CTRL, INTERNAL MIXER, PRESEL AUTO PK**. Wait for the peaking message to disappear, then press **MARKER, MARKERS OFF**.
15. Repeat steps 5 through 9 for the Agilent 8340A/B frequencies listed in [Table 10-32](#) for Band 1.



## 21. Image, Multiple, Out-of-Band, and Out-of-Range Responses: Agilent 8561E/EC

Table 10-32

## Image, Multiple, and Out-of-Range Responses

Band	Agilent 8561E/EC Center Freq (GHz)	Agilent 8340A/B CW (MHz)	Response Amplitude (dBc)	Measurement Uncertainty (dB)
0	2.0	2021.4*		+0.82/–1.01
	2.0	2621.4*		+0.82/–1.01
	2.0	2321.4†		+0.82/–1.01
	2.0	2600.0†		+0.82/–1.01
	2.0	5600.0‡		+0.82/–1.01
	2.0	6221.4‡		+0.82/–1.01
	2.0	7910.7§		+0.82/–1.01
	2.0	9821.4§		+0.82/–1.01
1	4.0	4021.4*		+0.82/–1.01
	4.0	4621.4*		+0.82/–1.01
	4.0	4321.4†		+0.82/–1.01
	4.0	4600.0†		+0.82/–1.01
	4.0	289.3‡		+0.82/–1.01
	4.0	8310.7§		+0.82/–1.01
	4.0	8932.1§		+0.82/–1.01
* Image response † Multiple response ‡ Out-of-band response § Out-of-range response				

## 22. Image, Multiple, and Out-of-Band Responses: Agilent 8562E/EC

### Instrument Under Test

Agilent 8562E/EC

### Related Specification

Image, Multiple, and Out-of-Band Responses

### Related Adjustment

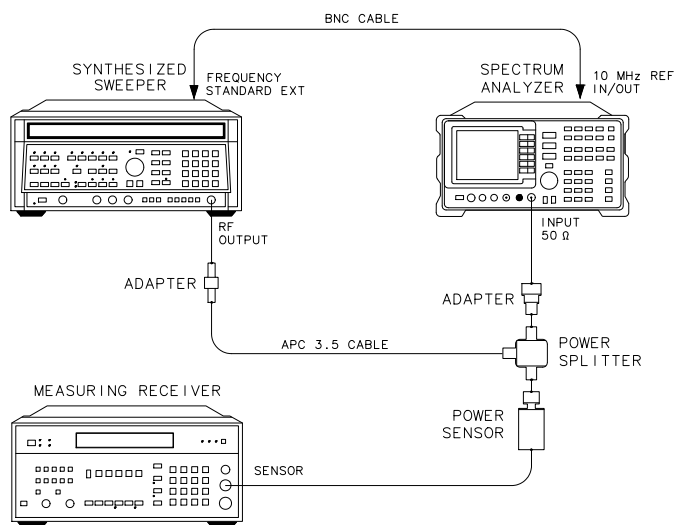
RHYTHM Adjustment

### Description

Image, multiple, and out-of-band responses are tested in all frequency bands. A signal is applied to the signal analyzer INPUT 50 Ω, then a reference amplitude measurement is made. The signal source is then tuned to a frequency which causes either an image, multiple, or out-of-band response. The amplitude displayed on the spectrum analyzer is measured and recorded.

Figure 10-24

Image, Multiple, and Out-of-Band Responses Test Setup



dp111e

### Equipment

Synthesized sweeper . . . . .	Agilent 8340A/B
Measuring receiver . . . . .	Agilent 8902A

**22. Image, Multiple, and Out-of-Band Responses: Agilent 8562E/EC**

Power sensor . . . . .	Agilent 8485A
Power splitter . . . . .	Agilent 11667A/B

**Adapter**

Type N (m) to APC 3.5 (m) . . . . .	1250-1743
-------------------------------------	-----------

**Cables**

BNC, 122 cm (48 in.) . . . . .	Agilent 10503A
APC 3.5, 91 cm (36 in.) . . . . .	8120-4921

**Procedure****Band 0**

1. Connect the equipment as shown in [Figure 10-24](#), but do not connect the power sensor to the power splitter.
2. On the Agilent 8340A/B, press **INSTR PRESET**. Set the controls as follows:
 

CW frequency . . . . .	2 GHz
Power level . . . . .	-10 dBm
Frequency standard switch (rear panel). . . . .	EXT
3. On the spectrum analyzer, press **PRESET, RECALL, MORE 1 OF 2, FACTORY PRSEL PK**. Set the controls as follows:
 

Center frequency . . . . .	2 GHz
Span . . . . .	10 kHz
Reference level . . . . .	-10 dBm
Attenuation . . . . .	0 dB
Resolution BW . . . . .	1 kHz
4. Zero and calibrate the Agilent 8902A and the Agilent 8485A. Enter the power sensor 2 GHz calibration factor into the Agilent 8902A. Connect the Agilent 8485A to the Agilent 11667A/B power splitter.
5. Adjust the Agilent 8340A/B power level to place the signal peak at the reference level.
6. Press **RATIO** on the Agilent 8902A.
7. On the spectrum analyzer, press **PEAK SEARCH, MKR →, MKR → REF LVL, SGL SWP, PEAK SEARCH, MARKER DELTA**.

**22. Image, Multiple, and Out-of-Band Responses: Agilent 8562E/EC**

8. For each of the frequencies listed in [Table 10-33](#) for Band 0, do the following:
  - a. Set the Agilent 8340A/B to the listed CW frequency.
  - b. Enter the appropriate power sensor calibration factor into the Agilent 8902A.
  - c. Set the Agilent 8340A/B power level for a 0 dB reading on the Agilent 8902A.
  - d. On the spectrum analyzer, press **SGL SWP**. Wait for completion of the sweep before continuing. Press **PEAK SEARCH**, and record the  $\Delta$  MKR amplitude in [Table 10-33](#) as the response amplitude.
9. On the spectrum analyzer, press **MKR, MARKERS OFF, TRIG, SWEEP CONT**.
10. Press **RATIO** on the Agilent 8902A.

**Band 1**

11. On the spectrum analyzer, press **FREQUENCY, CENTER FREQ, 4, GHz**.
12. On the Agilent 8340A/B, set the CW to 4 GHz and POWER LEVEL to -10 dBm.
13. Enter the power sensor 4 GHz calibration factor into the Agilent 8902A.
14. On the spectrum analyzer, press **PEAK SEARCH, AMPLITUDE, MORE 1 OF 3, MORE 2 OF 3, PRESEL AUTO PK**. Wait for the PEAKING! message to disappear. Press **MKR, MARKERS OFF**.
15. Repeat steps 5 through 8 for the Agilent 8340A/B frequencies listed in [Table 24, on page 649](#) for Band 1.
16. On the spectrum analyzer, press **MKR, MARKERS OFF, TRIG, SWEEP CONT**.
17. Press **RATIO** on the Agilent 8902A.

**Band 2**

18. On the spectrum analyzer, press **FREQUENCY, CENTER FREQ, 9, GHz**.
19. On the Agilent 8340A/B, set the CW to 9 GHz and POWER LEVEL to -10 dBm.
20. Enter the power sensor 9 GHz calibration factor into the Agilent 8902A.
21. On the spectrum analyzer, press **PEAK SEARCH, AMPLITUDE, MORE 1 OF 3, MORE 2 OF 3, PRESEL AUTO PK**. Wait for the PEAKING! message to disappear. Press **MKR, MARKERS OFF**.
22. Repeat steps 5 through 8 for the Agilent 8340A/B frequencies listed in [Table 24, on page 649](#) for Band 2.

## 22. Image, Multiple, and Out-of-Band Responses: Agilent 8562E/EC

23. On the spectrum analyzer, press **MKR**, **MARKERS OFF**, **TRIG**, **SWEEP CONT**.

24. Press **RATIO** on the Agilent 8902A.

**Table 10-33 Image, Multiple, and Out-of-Band Responses**

Band	Agilent 8563E/EC Center Freq (GHz)	Agilent 8340A/B CW (MHz)	Response Amplitude (dBc)	Measurement Uncertainty (dB)
0	2.0	2021.4*		+0.82/–1.01
	2.0	2621.4*		+0.82/–1.01
	2.0	2321.4†		+0.82/–1.01
	2.0	2600.0†		+0.82/–1.01
	2.0	7910.7‡		+0.82/–1.01
	2.0	9821.4‡		+0.82/–1.01
1	4.0	4021.4*		+0.82/–1.01
	4.0	4621.4*		+0.82/–1.01
	4.0	4321.4†		+0.82/–1.01
	4.0	4600.0†		+0.82/–1.01
	4.0	8310.7‡		+0.82/–1.01
	4.0	8932.1‡		+0.82/–1.01
2	9.0	9021.4*		+0.82/–1.01
	9.0	9621.4*		+0.82/–1.01
	9.0	9321.4†		+0.82/–1.01
	9.0	9600.0†		+0.82/–1.01
	9.0	4344.65‡		+0.82/–1.01
	9.0	4966.05‡		+0.82/–1.01
* Image response † Multiple response ‡ Out-of-band response				

## 23. Image, Multiple, and Out-of-Band Responses: Agilent 8563E/EC

### Instrument Under Test

Agilent 8563E/EC

### Related Specification

Image, Multiple, and Out-of-Band Responses

### Related Adjustment

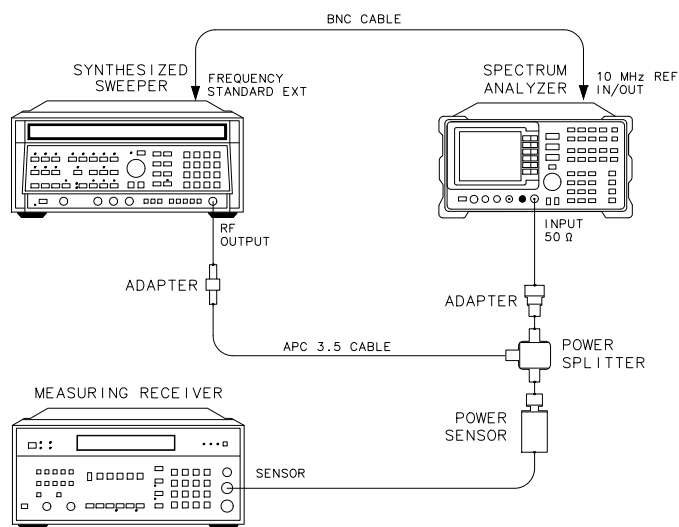
RHYTHM Adjustment

### Description

Image, multiple, and out-of-band responses are tested in all frequency bands. A signal is applied to the signal analyzer INPUT 50 Ω, then a reference amplitude measurement is made. The signal source is then tuned to a frequency which causes either an image, multiple, or out-of-band response. The amplitude displayed on the spectrum analyzer is measured and recorded.

Figure 10-25

Image, Multiple, and Out-of-Band Responses Test Setup



dp111e

### Equipment

Synthesized sweeper .....	Agilent 8340A/B
Measuring receiver .....	Agilent 8902A

**23. Image, Multiple, and Out-of-Band Responses: Agilent 8563E/EC**

Power sensor . . . . .	Agilent 8485A
Power splitter . . . . .	Agilent 11667B

**Adapter**

Type N (m) to APC 3.5 (m) . . . . .	1250-1743
-------------------------------------	-----------

**Cables**

BNC, 122 cm (48 in.) . . . . .	Agilent 10503A
APC 3.5, 91 cm (36 in.) . . . . .	8120-4921

**Procedure****Band 0**

1. Connect the equipment as shown in [Figure 10-25](#), but do not connect the power sensor to the power splitter.
2. On the Agilent 8340A/B, press **INSTR PRESET**. Set the controls as follows:
 

CW frequency . . . . .	2 GHz
Power level . . . . .	–10 dBm
Frequency standard switch (rear panel). . . . .	EXT
3. On the spectrum analyzer, press **PRESET, RECALL, MORE 1 OF 2, FACTORY PRSEL PK**. Set the controls as follows:
 

Center frequency . . . . .	2 GHz
Span . . . . .	10 kHz
Reference level . . . . .	–10 dBm
Attenuation . . . . .	0 dB
Resolution BW . . . . .	1 kHz
4. Zero and calibrate the Agilent 8902A and the Agilent 8485A. Enter the power sensor 2 GHz calibration factor into the Agilent 8902A. Connect the Agilent 8485A to the Agilent 11667B power splitter.
5. Adjust the Agilent 8340A/B power level to place the signal peak at the reference level.
6. Press **RATIO** on the Agilent 8902A.
7. On the spectrum analyzer, press **PEAK SEARCH, MKR →, MKR → REF LVL, SGL SWP, PEAK SEARCH, MARKER DELTA**.

**23. Image, Multiple, and Out-of-Band Responses: Agilent 8563E/EC**

8. For each of the frequencies listed in [Table 10-34](#) for Band 0, do the following:
  - a. Set the Agilent 8340A/B to the listed CW frequency.
  - b. Enter the appropriate power sensor calibration factor into the Agilent 8902A.
  - c. Set the Agilent 8340A/B power level for a 0 dB reading on the Agilent 8902A.
  - d. On the spectrum analyzer, press **SGL SWP**. Wait for completion of the sweep before continuing. Press **PEAK SEARCH**, and record the  $\Delta$  MKR amplitude in [Table 10-34](#) as the response amplitude.
9. On the spectrum analyzer, press **MKR, MARKERS OFF, TRIG, SWEEP CONT**.
10. Press **RATIO** on the Agilent 8902A.

**Band 1**

11. On the spectrum analyzer, press **FREQUENCY, CENTER FREQ, 4, GHz**.
12. On the Agilent 8340A/B, set the CW to 4 GHz and POWER LEVEL to -10 dBm.
13. Enter the power sensor 4 GHz calibration factor into the Agilent 8902A.
14. On the spectrum analyzer, press **PEAK SEARCH, AMPLITUDE, MORE 1 OF 3, MORE 2 OF 3, PRESEL AUTO PK**. Wait for the PEAKING! message to disappear. Press **MKR, MARKERS OFF**.
15. Repeat steps 5 through 8 for the Agilent 8340A/B frequencies listed in [Table 10-34](#) for Band 1.
16. On the spectrum analyzer, press **MKR, MARKERS OFF, TRIG, SWEEP CONT**.
17. Press **RATIO** on the Agilent 8902A.

**Displayed Average Noise, Band 2**

18. On the spectrum analyzer, press **FREQUENCY, CENTER FREQ, 9, GHz**.
19. On the Agilent 8340A/B, set the CW to 9 GHz and POWER LEVEL to -10 dBm.
20. Enter the power sensor 9 GHz calibration factor into the Agilent 8902A.
21. On the spectrum analyzer, press **PEAK SEARCH, AMPLITUDE, MORE 1 OF 3, MORE 2 OF 3, PRESEL AUTO PK**. Wait for the PEAKING! message to disappear. Press **MKR, MARKERS OFF**.
22. Repeat steps 5 through 8 for the Agilent 8340A/B frequencies listed in [Table 10-34](#) for Band 2.



**23. Image, Multiple, and Out-of-Band Responses: Agilent 8563E/EC**

23. On the spectrum analyzer, press **MKR, MARKERS OFF, TRIG, SWEEP CONT.**
24. Press **RATIO** on the Agilent 8902A.

**Band 3**

25. On the spectrum analyzer, press **FREQUENCY, CENTER FREQ, 15, GHz.**
26. On the Agilent 8340A/B, set the CW to 15 GHz and POWER LEVEL to –10 dBm.
27. Enter the power sensor 15 GHz calibration factor into the Agilent 8902A.
28. On the spectrum analyzer, press **PEAK SEARCH, AMPLITUDE, MORE 1 OF 3, MORE 2 OF 3, PRESEL AUTO PK.** Wait for the **PEAKING!** message to disappear. Press **MKR, MARKERS OFF.**
29. Repeat steps 5 through 8 for the Agilent 8340A/B frequencies listed in <Undefined Cross-Reference> for Band 3 for 15 GHz center frequency.
30. On the spectrum analyzer, press **MKR, MARKERS OFF, TRIG, SWEEP CONT.**
31. Press **RATIO** on the Agilent 8902A.
32. On the spectrum analyzer, press **FREQUENCY, CENTER FREQ, 20, GHz.**
33. On the Agilent 8340A, set the CW to 20 GHz and POWER LEVEL to –10 dBm.
34. Enter the power sensor 20 GHz calibration factor into the Agilent 8902A.
35. On the spectrum analyzer, press **PEAK SEARCH, AMPLITUDE, MORE 1 OF 3, MORE 2 OF 3, PRESEL AUTO PK.** Wait for the **PEAKING!** message to disappear. Press **MKR, MARKERS OFF.**
36. Repeat steps 5 through 8 for the Agilent 8340A/B frequencies listed in [Table 10-34](#) for Band 3 for 20 GHz center frequency.

**Table 10-34** Image, Multiple, and Out-of-Band Responses

Band	Agilent 8563E/EC Center Freq (GHz)	Agilent 8340A/B CW (MHz)	Response Amplitude (dBc)	Measurement Uncertainty (dB)
0	2.0	2021.4*		+0.82/–1.01
	2.0	2621.4*		+0.82/–1.01
	2.0	2321.4†		+0.82/–1.01
	2.0	2600.0†		+0.82/–1.01
	2.0	7910.7‡		+0.82/–1.01
	2.0	9821.4‡		+0.82/–1.01
1	4.0	4021.4*		+0.82/–1.01
	4.0	4621.4*		+0.82/–1.01
	4.0	4321.4†		+0.82/–1.01
	4.0	4600.0†		+0.82/–1.01
	4.0	8310.7‡		+0.82/–1.01
	4.0	8932.1‡		+0.82/–1.01
2	9.0	9021.4*		+0.82/–1.01
	9.0	9621.4*		+0.82/–1.01
	9.0	9321.4†		+0.82/–1.01
	9.0	9600.0†		+0.82/–1.01
	9.0	18310.7‡		+0.82/–1.01
	9.0	18932.1‡		+0.82/–1.01

## 23. Image, Multiple, and Out-of-Band Responses: Agilent 8563E/EC

Table 10-34 Image, Multiple, and Out-of-Band Responses (Continued)

Band	Agilent 8563E/EC Center Freq (GHz)	Agilent 8340A/B CW (MHz)	Response Amplitude (dBc)	Measurement Uncertainty (dB)
3	15.0	15021.400*		+0.82/-1.08
	15.0	15621.400*		+0.82/-1.08
	15.0	22655.350†		+0.82/-1.08
	15.0	23276.750†		+0.82/-1.08
	15.0	7344.650‡		+0.82/-1.08
	15.0	7966.050‡		+0.82/-1.08
3	20.0	20021.400*		+0.82/-1.08
	20.0	20621.400*		+0.82/-1.08
	20.0	15543.725†		+0.82/-1.08
	20.0	25699.075†		+0.82/-1.08
	20.0	9844.650‡		+0.82/-1.08
	20.0	10466.050‡		+0.82/-1.08
* Image response † Multiple response ‡ Out-of-band response				

## 24. Image, Multiple, and Out-of-Band Responses: Agilent 8564E/EC

### Instrument Under Test

Agilent 8564E/EC

### Related Specification

Image, Multiple, and Out-of-Band Responses

### Related Adjustment

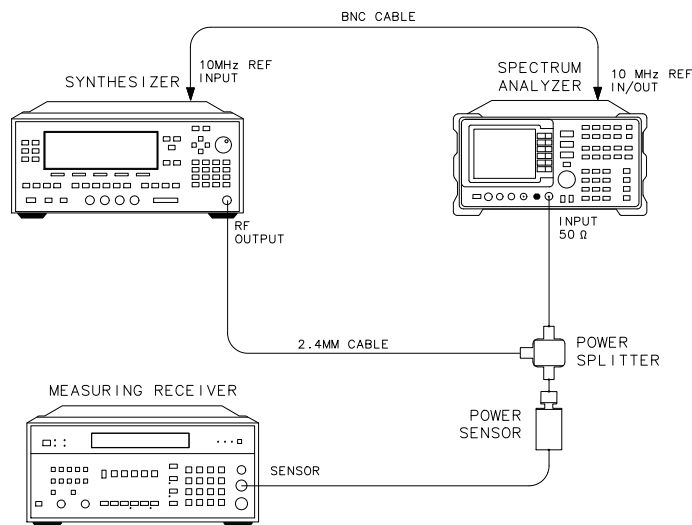
RYTHM Adjustment, SBTX Adjustment

### Description

Image, multiple, and out-of-band responses are tested in all frequency bands. A signal is applied to the signal analyzer INPUT 50  $\Omega$ , then a reference amplitude measurement is made. The signal source is then tuned to a frequency which causes either an image, multiple, or out-of-band response. The amplitude displayed on the spectrum analyzer is measured and recorded.

Figure 10-26

### Image, Multiple, and Out-of-Band Responses Test Setup



xj15e

### Equipment

Synthesized sweeper .....	Agilent 83650A
Measuring receiver .....	Agilent 8902A

**24. Image, Multiple, and Out-of-Band Responses: Agilent 8564E/EC**

Power sensor . . . . .	Agilent 8487A
Power splitter . . . . .	Agilent 11667C

**Cables**

BNC, 122 cm (48 in.) . . . . .	Agilent 10503A
2.4 mm, 91 cm (36 in.) . . . . .	8120-6164

**Procedure****Band 0**

1. Connect the equipment as shown in [Figure 10-26](#), but do not connect the power sensor to the power splitter.
2. On the Agilent 83650A, press **PRESET**. Set the controls as follows:
 

CW frequency . . . . .	2 GHz
Power level . . . . .	–10 dBm
3. On the spectrum analyzer, press **PRESET, RECALL, MORE 1 OF 2, FACTORY PSEL PK**. Set the controls as follows:
 

Center frequency . . . . .	2 GHz
Span . . . . .	10 kHz
Reference level . . . . .	–10 dBm
Attenuation . . . . .	0 dB
Resolution BW . . . . .	1 kHz
Video bandwidth . . . . .	100 Hz
4. Zero and calibrate the Agilent 8902A and the Agilent 8487A. Enter the power sensor 2 GHz calibration factor into the Agilent 8902A. Connect the Agilent 8487A to the Agilent 11667C power splitter.
5. Adjust the Agilent 83650A power level to place the signal peak at the reference level.
6. Press **RATIO** on the Agilent 8902A.
7. On the spectrum analyzer, press **PEAK SEARCH, MKR →, MKR → REF LVL, SGL SWP, PEAK SEARCH, MARKER DELTA**.
8. For each of the frequencies listed in [Table 10-35](#) for Band 0, do the following:
  - a. Set the Agilent 83650A to the listed CW frequency.
  - b. Enter the appropriate power sensor calibration factor into the

**24. Image, Multiple, and Out-of-Band Responses: Agilent 8564E/EC**

Agilent 8902A.

- c. Set the Agilent 83650A power level for a 0 dB reading on the Agilent 8902A.
  - d. On the spectrum analyzer, press **SGL SWP**. Wait for completion of the sweep before continuing. Press **PEAK SEARCH**, and record the  $\Delta$  MKR amplitude in [Table 10-35](#) as the response amplitude.
9. On the spectrum analyzer, press **MKR, MARKERS OFF, TRIG, SWEEP CONT**.
  10. Press **RATIO** on the Agilent 8902A.

**Band 1**

11. On the spectrum analyzer, press **FREQUENCY, CENTER FREQ, 4, GHz**.
12. On the Agilent 83650A, set the CW to 4 GHz and POWER LEVEL to -10 dBm.
13. Enter the power sensor 4 GHz calibration factor into the Agilent 8902A.
14. On the spectrum analyzer, press **PEAK SEARCH, AMPLITUDE, MORE 1 OF 3, MORE 2 OF 3, PRESEL AUTO PK**. Wait for the PEAKING! message to disappear. Press **MKR, MARKERS OFF**.
15. Repeat steps 5 through 8 for the Agilent 83650A frequencies listed in <Undefined Cross-Reference> for Band 1.
16. On the spectrum analyzer, press **MKR, MARKERS OFF, TRIG, SWEEP CONT**.
17. Press **RATIO** on the Agilent 8902A.

**Band 2**

18. On the spectrum analyzer, press **FREQUENCY, CENTER FREQ, 9, GHz**.
19. On the Agilent 83650A, set the CW to 9 GHz and POWER LEVEL to -10 dBm.
20. Enter the power sensor 9 GHz calibration factor into the Agilent 8902A.
21. On the spectrum analyzer, press **PEAK SEARCH, AMPLITUDE, MORE 1 OF 3, MORE 2 OF 3, PRESEL AUTO PK**. Wait for the PEAKING! message to disappear. Press **MKR, MARKERS OFF**.
  - a. Repeat steps 5 through 8 for the Agilent 83650A frequencies listed in [Table 10-35](#) for Band 2.
22. On the spectrum analyzer, press **MKR, MARKERS OFF, TRIG, SWEEP CONT**.
23. Press **RATIO** on the Agilent 8902A.

**Band 3**

24. On the spectrum analyzer, press **FREQUENCY, CENTER FREQ, 15, GHz**.
25. On the Agilent 83650A, set the CW to 15 GHz and POWER LEVEL to –10 dBm.
26. Enter the power sensor 15 GHz calibration factor into the Agilent 8902A.
27. On the spectrum analyzer, press **PEAK SEARCH, AMPLITUDE, MORE 1 OF 3, MORE 2 OF 3, PRESEL AUTO PK**. Wait for the PEAKING! message to disappear. Press **MKR, MARKERS OFF**.
28. Repeat steps 5 through 8 for the Agilent 83650A frequencies listed in <Undefined Cross-Reference> for Band 3 for 15 GHz center frequency.
29. On the spectrum analyzer, press **MKR, MARKERS OFF TRIG SWEEP CONT**.
30. Press **RATIO** on the Agilent 8902A.
31. On the spectrum analyzer, press **FREQUENCY, CENTER FREQ, 20, GHz**.
32. On the Agilent 83650A, set the CW to 20 GHz and POWER LEVEL to –10 dBm.
33. Enter the power sensor 20 GHz calibration factor into the Agilent 8902A.
34. On the spectrum analyzer, press **PEAK SEARCH, AMPLITUDE, MORE 1 OF 3, MORE 2 OF 3, PRESEL AUTO PK**. Wait for the PEAKING! message to disappear. Press **MKR, MARKERS OFF**.
35. Repeat steps 5 through 8 for the Agilent 83650A frequencies listed in [Table 10-35](#) for Band 3 for 20 GHz center frequency.

**Band 4**

36. On the spectrum analyzer, press **FREQUENCY, CENTER FREQ, 29, GHz**.
37. On the Agilent 83650A, set the CW to 29 GHz and POWER LEVEL to –20 dBm.
38. Enter the power sensor 29 GHz calibration factor into the Agilent 8902A.
39. On the spectrum analyzer, press **PEAK SEARCH, AMPLITUDE, –20, dBm, ATTEN, 10, dB, MORE 1 OF 3, MORE 2 OF 3, PRESEL AUTO PK**. Wait for the PEAKING! message to disappear. Press **MKR, MARKERS OFF**.
40. Repeat steps 5 through 8 for the Agilent 83650A frequencies listed in [Table 10-35](#) for Band 4 with 29 GHz center frequency.
41. On the spectrum analyzer, press **MKR, MARKERS OFF, TRIG, SWEEP CONT**.

**Band 5**

**24. Image, Multiple, and Out-of-Band Responses: Agilent 8564E/EC**

42. Press **RATIO** on the Agilent 8902A.
43. On the spectrum analyzer, press **FREQUENCY, CENTER FREQ, 35, GHz**.
44. On the Agilent 83650A, set the CW to 35 GHz and POWER LEVEL to –10 dBm.
45. Enter the power sensor 35 GHz calibration factor into the Agilent 8902A.
46. On the spectrum analyzer, press **PEAK SEARCH, AMPLITUDE, MORE 1 OF 3, MORE 2 OF 3, PRESEL AUTO PK**. Wait for the PEAKING! message to disappear. Press **MKR, MARKERS OFF**.
47. Repeat steps 5 through 8 for the Agilent 83650A frequencies listed in [Table 10-35](#) for Band 5 for 35 GHz center frequency.

**Table 10-35****Image, Multiple, and Out-of-Band Responses**

Band	8564E/EC Center Freq (GHz)	Agilent 8340A/B CW (MHz)	Response Amplitude (dBc)	Measurement Uncertainty (dB)
0	2.0	2021.4*		+0.83/–0.88
	2.0	2621.4*		+0.83/–0.88
	2.0	2321.4†		+0.83/–0.88
	2.0	2600.0†		+0.83/–0.88
	2.0	7910.7‡		+0.83/–0.88
	2.0	9821.4‡		+0.83/–0.88
1	4.0	4021.4*		+0.83/–0.88
	4.0	4621.4*		+0.83/–0.88
	4.0	4321.4†		+0.83/–0.88
	4.0	4600.0†		+0.83/–0.88
	4.0	8310.7‡		+0.83/–0.88
	4.0	8932.1‡		+0.83/–0.88



Table 10-35

Image, Multiple, and Out-of-Band Responses (Continued)

Band	8564E/EC Center Freq (GHz)	Agilent 8340A/B CW (MHz)	Response Amplitude (dBc)	Measurement Uncertainty (dB)
2	9.0	9021.4*		+0.83/-0.88
	9.0	9621.4*		+0.83/-0.88
	9.0	9321.4†		+0.83/-0.88
	9.0	9600.0†		+0.83/-0.88
	9.0	18310.7‡		+0.83/-0.88
	9.0	18932.1‡		+0.83/-0.88
3	15.0	15021.400*		+0.85/-0.91
	15.0	15621.400*		+0.85/-0.91
	15.0	22655.350†		+0.85/-0.91
	15.0	23276.750†		+0.85/-0.91
	15.0	7344.650‡		+0.85/-0.91
	15.0	7966.050‡		+0.85/-0.91
3	20.0	20021.400*		+0.85/-0.91
	20.0	20621.400*		+0.85/-0.91
	20.0	15543.725†		+0.85/-0.91
	20.0	25699.075†		+0.85/-0.91
	20.0	9844.650‡		+0.85/-0.91
	20.0	10466.050‡		+0.85/-0.91

Table 10-35

Image, Multiple, and Out-of-Band Responses (Continued)

Band	8564E/EC Center Freq (GHz)	Agilent 8340A/B CW (MHz)	Response Amplitude (dBc)	Measurement Uncertainty (dB)
4	29.0	28378.600*		+0.88/−0.96
	29.0	23978.600*		+0.88/−0.96
	29.0	24450.925†		+0.88/−0.96
	29.0	28700.000†		+0.88/−0.96
	29.0	16455.350‡		+0.88/−0.96
	29.0	35272.325‡		+0.88/−0.96
5	35.0	35021.400*		+0.88/−0.96
	35.0	35621.400*		+0.88/−0.96
	35.0	33093.725†		+0.88/−0.96
	35.0	35321.400†		+0.88/−0.96
	35.0	8774.538‡		+0.88/−0.96
	35.0	15544.650‡		+0.88/−0.96
* Image response † Multiple response ‡ Out-of-band response				

## 25. Image, Multiple, and Out-of-Band Responses: Agilent 8565E/EC

### Instrument Under Test

Agilent 8565E/EC

### Related Specification

Image, Multiple, and Out-of-Band Responses

### Related Adjustment

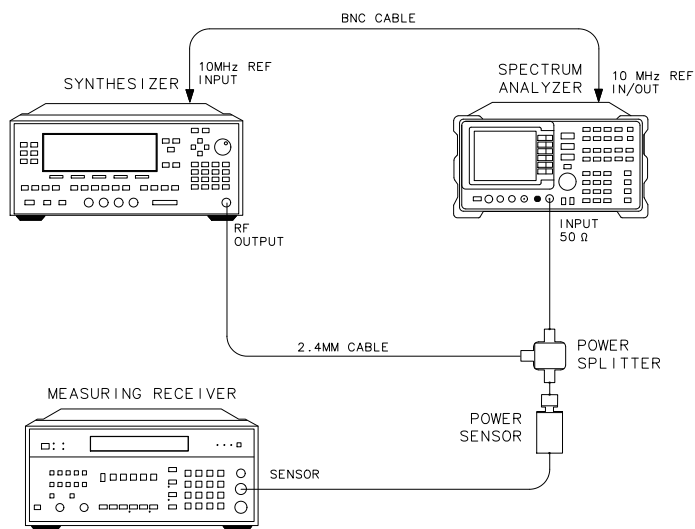
RYTHM Adjustment, SBTX Adjustment

### Description

Image, multiple, and out-of-band responses are tested in all frequency bands. A signal is applied to the signal analyzer INPUT 50 Ω, then a reference amplitude measurement is made. The signal source is then tuned to a frequency which causes either an image, multiple, or out-of-band response. The amplitude displayed on the spectrum analyzer is measured and recorded.

**Figure 10-27**

**Image, Multiple, and Out-of-Band Responses Test Setup**



xj15e

### Equipment

Synthesized sweeper . . . . . Agilent 83650A  
 Measuring receiver . . . . . Agilent 8902A

**25. Image, Multiple, and Out-of-Band Responses: Agilent 8565E/EC**

Power sensor . . . . .	Agilent 8487A
Power splitter . . . . .	Agilent 11667C

**Cables**

BNC, 122 cm (48 in.) . . . . .	Agilent 10503A
2.4 mm, 91 cm (36 in.) . . . . .	8120-6164

**Procedure**

**Band 0**

1. Connect the equipment as shown in [Figure 10-27](#), but do not connect the power sensor to the power splitter.
2. On the Agilent 83650A, press **PRESET**. Set the controls as follows:
 

CW frequency . . . . .	2 GHz
Power level . . . . .	-10 dBm
3. On the spectrum analyzer, press **PRESET, RECALL, MORE 1 OF 2, FACTORY PRSEL PK**. Set the controls as follows:
 

Center frequency . . . . .	2 GHz
Span . . . . .	10 kHz
Reference level . . . . .	-10 dBm
Attenuation . . . . .	.0 dB
Resolution BW . . . . .	1 kHz
Video bandwidth . . . . .	100 Hz
4. Zero and calibrate the Agilent 8902A and the Agilent 8487A. Enter the power sensor 2 GHz calibration factor into the Agilent 8902A. Connect the Agilent 8487A to the Agilent 11667C power splitter.
5. Adjust the Agilent 83650A power level to place the signal peak at the reference level.
6. Press **RATIO** on the Agilent 8902A.
7. On the spectrum analyzer, press **PEAK SEARCH, MKR →, MKR → REF LVL, SGL SWP, PEAK SEARCH, MARKER DELTA**.
8. For each of the frequencies listed in [Table 10-36](#) for Band 0, do the following:
  - a. Set the Agilent 83650A to the listed CW frequency.
  - b. Enter the appropriate power sensor calibration factor into the

**25. Image, Multiple, and Out-of-Band Responses: Agilent 8565E/EC**

Agilent 8902A.

- c. Set the Agilent 83650A power level for a 0 dB reading on the Agilent 8902A.
  - d. On the spectrum analyzer, press **SGL SWP**. Wait for completion of the sweep before continuing. Press **PEAK SEARCH**, and record the  $\Delta$  MKR amplitude in [Table 10-36](#) as the response amplitude.
9. On the spectrum analyzer, press **MKR, MARKERS OFF, TRIG, SWEEP CONT**.
  10. Press **RATIO** on the Agilent 8902A.

**Band 1**

11. On the spectrum analyzer, press **FREQUENCY, CENTER FREQ, 4, GHz**.
12. On the Agilent 83650A, set the CW to 4 GHz and POWER LEVEL to  $-10$  dBm.
13. Enter the power sensor 4 GHz calibration factor into the Agilent 8902A.
14. On the spectrum analyzer, press **PEAK SEARCH, AMPLITUDE, MORE 1 OF 3, MORE 2 OF 3, PRESEL AUTO PK**. Wait for the PEAKING! message to disappear. Press **MKR, MARKERS OFF**.
15. Repeat steps 5 through 8 for the Agilent 83650A frequencies listed in [Table 54, on page 667](#) for Band 1.
16. On the spectrum analyzer, press **MKR, MARKERS OFF, TRIG, SWEEP CONT**.
17. Press **RATIO** on the Agilent 8902A.

**Band 2**

18. On the spectrum analyzer, press **FREQUENCY, CENTER FREQ, 9, GHz**.
19. On the Agilent 83650A, set the CW to 9 GHz and POWER LEVEL to  $-10$  dBm.
20. Enter the power sensor 9 GHz calibration factor into the Agilent 8902A.
21. On the spectrum analyzer, press **PEAK SEARCH, AMPLITUDE, MORE 1 OF 3, MORE 2 OF 3, PRESEL AUTO PK**. Wait for the PEAKING! message to disappear. Press **MKR, MARKERS OFF**.
22. Repeat steps 5 through 8 for the Agilent 83650A frequencies listed in [Table 54, on page 667](#) for Band 2.
23. On the spectrum analyzer, press **MKR, MARKERS OFF, TRIG, SWEEP CONT**.

**25. Image, Multiple, and Out-of-Band Responses: Agilent 8565E/EC**

24. Press **RATIO** on the Agilent 8902A.

**Band 3**

25. On the spectrum analyzer, press **FREQUENCY, CENTER FREQ, 15, GHz**.

26. On the Agilent 83650A, set the CW to 15 GHz and POWER LEVEL to –10 dBm.

27. Enter the power sensor 15 GHz calibration factor into the Agilent 8902A.

28. On the spectrum analyzer, press **PEAK SEARCH, AMPLITUDE, MORE 1 OF 3, MORE 2 OF 3, PRESEL AUTO PK**. Wait for the PEAKING! message to disappear. Press **MKR, MARKERS OFF**.

29. Repeat steps 5 through 8 for the Agilent 83650A frequencies listed in [Table 10-36](#) for Band 3 for 15 GHz center frequency.

30. On the spectrum analyzer, press **MKR, MARKERS OFF, TRIG, SWEEP CONT**.

31. Press **RATIO** on the Agilent 8902A.

32. On the spectrum analyzer, press **FREQUENCY, CENTER FREQ, 20, GHz**.

33. On the Agilent 83650A, set the CW to 20 GHz and POWER LEVEL to –10 dBm.

34. Enter the power sensor 20 GHz calibration factor into the Agilent 8902A.

35. On the spectrum analyzer, press **PEAK SEARCH, AMPLITUDE, MORE 1 OF 3, MORE 2 OF 3, PRESEL AUTO PK**. Wait for the PEAKING! message to disappear. Press **MKR, MARKERS OFF**.

36. Repeat steps 5 through 8 for the Agilent 83650A frequencies listed in [Table 10-36](#) for Band 3 for 20 GHz center frequency.

**Band 4**

37. On the spectrum analyzer, press **FREQUENCY, CENTER FREQ, 29, GHz**.

38. On the Agilent 83650A, set the CW to 29 GHz and POWER LEVEL to –20 dBm.

39. Enter the power sensor 29 GHz calibration factor into the Agilent 8902A.

40. On the spectrum analyzer, press **PEAK SEARCH, AMPLITUDE, –20, dBm, ATTN, 10, dB, MORE 1 OF 3, MORE 2 OF 3, PRESEL AUTO PK**. Wait for the PEAKING! message to disappear. Press **MKR, MARKERS OFF**.

41. Repeat steps 5 through 8 for the Agilent 83650A frequencies listed in [Table 10-36](#) for Band 4.

42. On the spectrum analyzer, press **MKR, MARKERS OFF, TRIG**,

**25. Image, Multiple, and Out-of-Band Responses: Agilent 8565E/EC****SWEEP CONT.****Band 5**

43. Press **RATIO** on the Agilent 8902A.
44. On the spectrum analyzer, press **FREQUENCY, CENTER FREQ, 35, GHz**.
45. On the Agilent 83650A, set the CW to 35 GHz and POWER LEVEL to –10 dBm.
46. Enter the power sensor 35 GHz calibration factor into the Agilent 8902A.
47. On the spectrum analyzer, press **PEAK SEARCH, AMPLITUDE, MORE 1 OF 3, MORE 2 OF 3, PRESEL AUTO PK**. Wait for the PEAKING! message to disappear. Press **MKR, MARKERS OFF**.
48. Repeat steps 5 through 8 for the Agilent 83650A frequencies listed in [Table 10-36](#) for Band 5 for 35 GHz center frequency.
49. Press **RATIO** on the Agilent 8902A.
50. On the spectrum analyzer, press **FREQUENCY, CENTER FREQ, 45, GHz**.
51. On the Agilent 83650A, set the CW to 45 GHz and POWER LEVEL to –10 dBm.
52. Enter the power sensor 45 GHz calibration factor into the Agilent 8902A.
53. On the spectrum analyzer, press **PEAK SEARCH, AMPLITUDE, MORE 1 OF 3, MORE 2 OF 3, PRESEL AUTO PK**. Wait for the PEAKING! message to disappear. Press **MKR, MARKERS OFF**.
54. Repeat steps 5 through 8 for the Agilent 83650A frequencies listed in [Table 10-36](#) for Band 5 for 45 GHz center frequency.

**Table 10-36****Image, Multiple, and Out-of-Band Responses**

Band	Agilent 8565E/EC Center Freq (GHz)	Agilent 8340A/B CW (MHz)	Response Amplitude (dBc)	Measurement Uncertainty (dB)
0	2.0	2021.4*		+0.83/–0.88
	2.0	2621.4*		+0.83/–0.88
	2.0	2321.4†		+0.83/–0.88
	2.0	2600.0†		+0.83/–0.88
	2.0	7910.7‡		+0.83/–0.88
	2.0	9821.4‡		+0.83/–0.88

Table 10-36

Image, Multiple, and Out-of-Band Responses (Continued)

Band	Agilent 8565E/EC Center Freq (GHz)	Agilent 8340A/B CW (MHz)	Response Amplitude (dBc)	Measurement Uncertainty (dB)
1	4.0	4021.4*		+0.83/–0.88
	4.0	4621.4*		+0.83/–0.88
	4.0	4321.4†		+0.83/–0.88
	4.0	4600.0†		+0.83/–0.88
	4.0	8310.7‡		+0.83/–0.88
	4.0	8932.1‡		+0.83/–0.88
2	9.0	9021.4*		+0.83/–0.88
	9.0	9621.4*		+0.83/–0.88
	9.0	9321.4†		+0.83/–0.88
	9.0	9600.0†		+0.83/–0.88
	9.0	18310.7‡		+0.83/–0.88
	9.0	18932.1‡		+0.83/–0.88
3	15.0	15021.400*		+0.85/–0.91
	15.0	15621.400*		+0.85/–0.91
	15.0	22655.350†		+0.85/–0.91
	15.0	23276.750†		+0.85/–0.91
	15.0	7344.650‡		+0.85/–0.91
	15.0	7966.050‡		+0.85/–0.91



Table 10-36

Image, Multiple, and Out-of-Band Responses (Continued)

Band	Agilent 8565E/EC Center Freq (GHz)	Agilent 8340A/B CW (MHz)	Response Amplitude (dBc)	Measurement Uncertainty (dB)
3	20.0	20021.400*		+0.85/–0.91
	20.0	20621.400*		+0.85/–0.91
	20.0	15543.725†		+0.85/–0.91
	20.0	25699.075†		+0.85/–0.91
	20.0	9844.650‡		+0.85/–0.91
	20.0	10466.050‡		+0.85/–0.91
4	29.0	28378.600*		+0.88/–0.96
	29.0	23978.600*		+0.88/–0.96
	29.0	24450.925†		+0.88/–0.96
	29.0	28700.000†		+0.88/–0.96
	29.0	16455.350‡		+0.88/–0.96
	29.0	35272.325‡		+0.88/–0.96
5	35.0	35021.400*		+0.88/–0.96
	35.0	35621.400*		+0.88/–0.96
	35.0	33093.725†		+0.88/–0.96
	35.0	35321.400†		+0.88/–0.96
	35.0	8774.538‡		+0.88/–0.96
	35.0	15544.650‡		+0.88/–0.96

Table 10-36

Image, Multiple, and Out-of-Band Responses (Continued)

Band	Agilent 8565E/EC Center Freq (GHz)	Agilent 8340A/B CW (MHz)	Response Amplitude (dBc)	Measurement Uncertainty (dB)
5	45.0	45021.400*		+0.94/-1.07
	45.0	45621.400*		+0.94/-1.07
	45.0	34479.888†		+0.94/-1.07
	45.0	40593.725†		+0.94/-1.07
	45.0	8316.975‡		+0.94/-1.07
	45.0	20544.650‡		+0.94/-1.07
* Image response † Multiple response ‡ Out-of-band response				

## 26. Frequency Readout/Frequency Count Marker Accuracy: 8560E/EC

### Instrument Under Test

8560E/EC

### Related Specification

Frequency Readout Accuracy  
 Frequency Count Marker Accuracy

### Related Adjustment

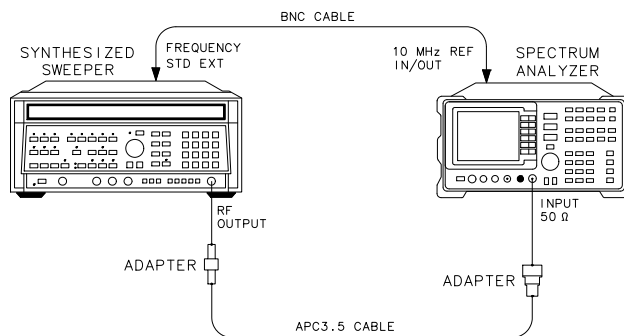
YTO Adjustment  
 10 MHz Frequency Reference Adjustment

### Description

The accuracy of the spectrum analyzer frequency readout/frequency count marker is tested with an input signal of known frequency. The spectrum analyzer provides the frequency reference for the synthesized sweeper, thus eliminating the (frequency readout × frequency readout accuracy) term. Performing the appropriate 10 MHz Reference Output Accuracy test satisfies checking the effect of this term.

Figure 10-28

Frequency Readout/Frequency Count Marker Accuracy Test Setup



dp112e

### Equipment

Synthesized sweeper . . . . . Agilent 8340A/B

**26. Frequency Readout/Frequency Count Marker Accuracy: 8560E/EC**

**Adapters**

Type N (m) to APC 3.5 (f) . . . . .	1250-1744
APC 3.5 (f) to APC 3.5 (f) . . . . .	5061-5311

**Cables**

APC 3.5, 91 cm (36 in) . . . . .	8120-4921
BNC, 122 cm (48 in) . . . . .	Agilent 10503A

**Procedure**

1. Connect the equipment as shown in [Figure 10-28](#). The spectrum analyzer provides the frequency reference for the synthesized sweeper.

**Frequency Readout Accuracy**

2. On the Agilent 8340A/B, press **INSTR PRESET**. Set the controls as follows:
 

CW frequency . . . . .	1.5 GHz
Power level . . . . .	-10 dBm
Frequency standard switch (rear panel) . . . . .	.EXT
3. On the spectrum analyzer, press **PRESET**. Set the controls as follows:
 

Center frequency . . . . .	1.5 GHz
Span . . . . .	1 MHz
4. On the spectrum analyzer, press **PEAK SEARCH**.
5. Record the MKR frequency in [Table 10-37](#) as the marker reading.
6. Repeat steps 4 and 5 for all frequency and span combinations listed in [Table 10-37](#).

**Frequency Count Marker Accuracy**

7. On the spectrum analyzer press **SPAN, 1, MHz, FREQ COUNT, COUNTER RES, 1, Hz**.
8. Key in the Agilent 8340A/B CW frequencies and the spectrum analyzer center frequencies as indicated in [Table 10-38](#). For the pair of settings, press **PEAK SEARCH** on the spectrum analyzer, and record the MKR frequency at each point, in [Table 10-38](#).

## 26. Frequency Readout/Frequency Count Marker Accuracy: 8560E/EC

Table 10-37 Frequency Readout Accuracy

Agilent 8340A/B Frequency (GHz)	8560E/EC		Marker Reading (GHz)	Measurement Uncertainty (Hz)
	Span	Center Freq		
1.5	1 MHz	1.5 GHz		±1
1.5	10 MHz	1.5 GHz		±1
1.5	20 MHz	1.5 GHz		±1
1.5	50 MHz	1.5 GHz		±1
1.5	100 MHz	1.5 GHz		±1
1.5	1 GHz	1.5 GHz		±1

Table 10-38 Frequency Count Marker Accuracy

Agilent 8340A/B Frequency (GHz)	8560E/EC Frequency (GHz)	Marker Frequency (GHz)	Measurement Uncertainty (Hz)
1.5	1.5		±1

## 27. Frequency Readout/Frequency Count Marker Accuracy: Agilent 8561E/EC

### Instrument Under Test

Agilent 8561E/EC

### Related Specification

Frequency Readout Accuracy  
 Frequency Count Marker Accuracy

### Related Adjustment

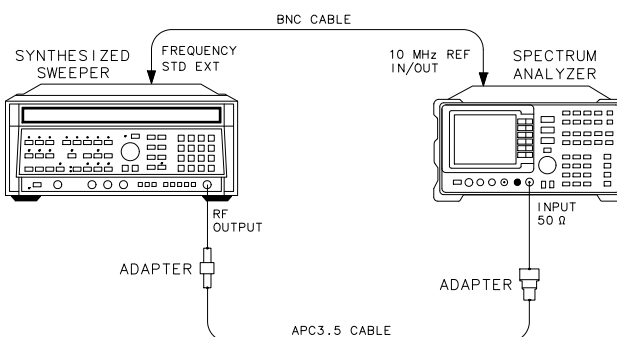
YTO Adjustment  
 10 MHz Frequency Reference Adjustment

### Description

The accuracy of the spectrum analyzer frequency readout/frequency count marker is tested with an input signal of known frequency. The spectrum analyzer provides the frequency reference for the synthesized sweeper, thus eliminating the (frequency readout  $\times$  frequency readout accuracy) term. Performing the appropriate 10 MHz Reference Output Accuracy test satisfies checking the effect of this term.

Figure 10-29

### Frequency Readout/Frequency Count Marker Accuracy Test Setup



dp112e

### Equipment

Synthesized sweeper . . . . . Agilent 8340A/B

**27. Frequency Readout/Frequency Count Marker Accuracy: Agilent 8561E/EC****Adapters**

Type N (m) to APC 3.5 (f) .....	1250-1744
APC 3.5 (f) to APC 3.5 (f) .....	5061-5311

**Cables**

APC 3.5, 91 cm (36 in.) .....	8120-4921
BNC, 122 cm (48 in.) .....	Agilent 10503A

**Procedure**

1. Connect the equipment as shown in [Figure 10-29](#). The spectrum analyzer provides the frequency reference for the synthesized sweeper.

**Frequency Readout Accuracy**

2. On the Agilent 8340A/B, press **INSTR PRESET**. Set the controls as follows:
 

CW frequency .....	1.5 GHz
Power level .....	-10 dBm
Frequency standard switch (rear panel).....	EXT
3. On the spectrum analyzer, press **PRESET**. Set the controls as follows:
 

Center frequency .....	1.5 GHz
Span.....	1 MHz
4. On the spectrum analyzer, press **PEAK SEARCH**.
5. Record the MKR frequency in [Table 10-39](#) as the marker reading.
6. Repeat steps 4 and 5 for all frequency and span combinations listed in [Table 10-39](#).

**Frequency Count Marker Accuracy**

7. On the spectrum analyzer press **SPAN, 1, MHz, FREQ COUNT, COUNTER RES, 1, Hz**.
8. Key in the Agilent 8340A/B CW frequencies and the spectrum analyzer center frequencies as indicated in [Table 10-40](#). For the pair of settings, press **PEAK SEARCH** on the spectrum analyzer, and record the MKR frequency at each point, in [Table 10-40](#).

Table 10-39

## Frequency Readout Accuracy

Agilent 8340A/B Frequency (GHz)	Agilent 8561E/EC		Marker Reading (GHz)	Measurement Uncertainty (Hz)
	Span	Center Freq		
1.5	1 MHz	1.5 GHz		±1
1.5	10 MHz	1.5 GHz		±1
1.5	20 MHz	1.5 GHz		±1
1.5	50 MHz	1.5 GHz		±1
1.5	100 MHz	1.5 GHz		±1
1.5	1 GHz	1.5 GHz		±1
4.0	1 MHz	4 GHz		±1
4.0	10 MHz	4 GHz		±1
4.0	20 MHz	4 GHz		±1
4.0	50 MHz	4 GHz		±1
4.0	100 MHz	4 GHz		±1
4.0	1 GHz	4 GHz		±1

Table 10-40

## Frequency Count Marker Accuracy

Agilent 8340A/B Frequency (GHz)	Agilent 8561E/EC Frequency (GHz)	Marker Frequency (GHz)	Measurement Uncertainty (Hz)
1.5	1.5		±1
4.0	4.0		±1



## 28. Frequency Readout Accuracy/Frequency Count Marker Accuracy: Agilent 8562E/EC

### Instrument Under Test

Agilent 8562E/EC

### Related Specification

Frequency Readout Accuracy  
Frequency Count Marker Accuracy

### Related Adjustment

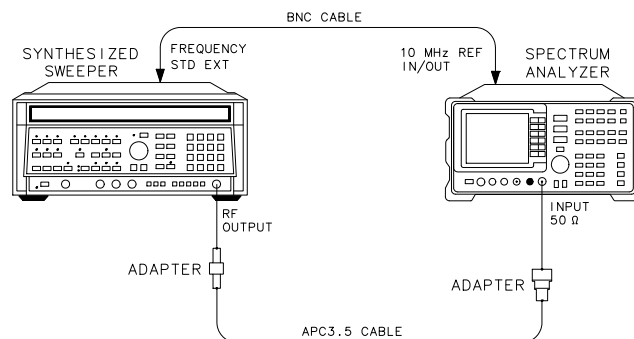
YTO Adjustment  
10 MHz Frequency Reference Adjustment

### Description

The accuracy of the spectrum analyzer frequency readout/frequency count marker is tested with an input signal of known frequency. The spectrum analyzer provides the frequency reference for the synthesized sweeper, thus eliminating the (frequency readout  $\times$  frequency reference accuracy) term. Performing the appropriate 10 MHz Reference Output Accuracy test in this chapter satisfies checking the effect of this term.

Figure 10-30

### Frequency Readout Accuracy/Frequency Count Marker Accuracy Test Setup



dp112e

### Equipment

Synthesized sweeper . . . . . Agilent 8340A/B

**28. Frequency Readout Accuracy/Frequency Count Marker Accuracy: Agilent 8562E/EC**

**Adapter**

Type N (m) to APC 3.5 (f) . . . . . 1250-1744

**Cables**

APC 3.5, 91 cm (36 in.) . . . . . 8120-4921

BNC, 122 cm (48 in.) . . . . . Agilent 10503A

**Procedure**

1. Connect the equipment as shown in [Figure 10-30](#).

**Frequency Readout Accuracy**

2. On the 8340A, Press **INSTR PRESET**. Set the controls as follows:
  - CW frequency . . . . . 1.5 GHz
  - Power level . . . . . –10 dBm
  - Frequency standard switch (REAR PANEL) . . . . . EXT
3. On the spectrum analyzer, press **PRESET**. Set the controls as follows:
  - Center frequency . . . . . 1.5 GHz
  - Span . . . . . 1 MHz
4. On the spectrum analyzer, press **RECALL, MORE 1 OF 2, FACTORY PRSEL PK**.
5. On the spectrum analyzer, press **PEAK SEARCH**.
6. Record the MKR frequency in [Table 10-41](#) as the marker reading.
7. Repeat steps 5 and 6 for all frequency and span combinations listed in [Table 10-41](#). Peak the spectrum analyzer preselector after tuning the analyzer center frequency and the Agilent 8340A/B CW to frequencies of 4 GHz and above.

**Frequency Count Marker Accuracy**

8. On the spectrum analyzer, press **SPAN, 1, MHz, FREQ COUNT, COUNTER RES, 1, Hz**.
9. Key in the Agilent 8340A/B CW frequencies and the spectrum analyzer center frequencies as indicated in [Table 10-42](#). Press **PEAK SEARCH**, and record the MKR frequency in [Table 10-42](#).

**28. Frequency Readout Accuracy/Frequency Count Marker Accuracy: Agilent  
8562E/EC**

**Table 10-41**      **Frequency Readout Accuracy**

Agilent 8340A/B Frequency (GHz)	Agilent 8563E/EC		Marker Reading (GHz)	Measurement Uncertainty (Hz)
	Span	Center Freq		
1.5	1 MHz	1.5 GHz		±1
1.5	10 MHz	1.5 GHz		±1
1.5	20 MHz	1.5 GHz		±1
1.5	50 MHz	1.5 GHz		±1
1.5	100 MHz	1.5 GHz		±1
1.5	1 GHz	1.5 GHz		±1
4.0	1 MHz	4 GHz		±1
4.0	10 MHz	4 GHz		±1
4.0	20 MHz	4 GHz		±1
4.0	50 MHz	4 GHz		±1
4.0	100 MHz	4 GHz		±1
4.0	1 GHz	4 GHz		±1
9.0	1 MHz	9.0 GHz		±2
9.0	10 MHz	9.0 GHz		±2
9.0	20 MHz	9.0 GHz		±2
9.0	50 MHz	9.0 GHz		±2
9.0	100 MHz	9.0 GHz		±2
9.0	1 GHz	9.0 GHz		±2

**Table 10-42**      **Frequency Count Marker Accuracy**

Agilent 8340A/B Frequency (GHz)	Agilent 8563E/EC Frequency (GHz)	Marker Frequency	Measurement Uncertainty (Hz)
1.5	1.5		±1
4.0	4.0		±1
9.0	9.0		±2

## 29. Frequency Readout Accuracy/Frequency Count Marker Accuracy: Agilent 8563E/EC

### Instrument Under Test

Agilent 8563E/EC

### Related Specification

Frequency Readout Accuracy  
 Frequency Count Marker Accuracy

### Related Adjustment

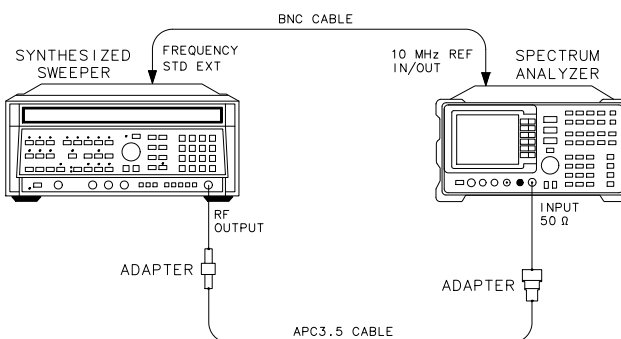
YTO Adjustment  
 10 MHz Frequency Reference Adjustment

### Description

The accuracy of the spectrum analyzer frequency readout/frequency count marker is tested with an input signal of known frequency. The spectrum analyzer provides the frequency reference for the synthesized sweeper, thus eliminating the (frequency readout × frequency reference accuracy) term. Performing the appropriate 10 MHz Reference Output Accuracy test in this chapter satisfies checking the effect of this term.

Figure 10-31

Frequency Readout Accuracy/Frequency Count Marker Accuracy Test Setup



dp112e

### Equipment

Synthesized sweeper ..... Agilent 8340A/B

## 29. Frequency Readout Accuracy/Frequency Count Marker Accuracy: Agilent 8563E/EC

### Adapter

Type N (m) to APC 3.5 (f) ..... 1250-1744

### Cables

APC 3.5, 91 cm (36 in.) ..... 8120-4921

BNC, 122 cm (48 in.) ..... Agilent 10503A

## Procedure

1. Connect the equipment as shown in [Figure 10-31](#).

### Frequency Readout Accuracy

2. On the 8340A, Press **INSTR PRESET**. Set the controls as follows:
  - CW frequency ..... 1.5 GHz
  - Power level ..... -10 dBm
  - Frequency standard switch (REAR PANEL) ..... EXT
3. On the spectrum analyzer, press **PRESET**. Set the controls as follows:
  - Center frequency ..... 1.5 GHz
  - Span ..... 1 MHz
4. On the spectrum analyzer, press **RECALL, MORE 1 OF 2, FACTORY PRSEL PK**.
5. On the spectrum analyzer, press **PEAK SEARCH**.
6. Record the MKR frequency in [Table 10-43](#) as the marker reading.
7. Repeat steps 5 and 6 for all frequency and span combinations listed in [Table 10-43](#). Peak the spectrum analyzer preselector after tuning the analyzer center frequency and the Agilent 8340A/B CW to frequencies of 4 GHz and above.

### Frequency Count Marker Accuracy

8. On the spectrum analyzer, press **SPAN, 1, MHz, FREQ COUNT, COUNTER RES, 1, Hz**.
9. Key in the Agilent 8340A/B CW frequencies and the spectrum analyzer center frequencies as indicated in [Table 10-44](#). Press **PEAK SEARCH**, and record the MKR frequency in [Table 10-44](#).

**29. Frequency Readout Accuracy/Frequency Count Marker Accuracy: Agilent 8563E/EC**

Table 10-43

**Frequency Readout Accuracy**

Agilent 8340A/B Frequency (GHz)	Agilent 8563E/EC		Marker Reading (GHz)	Measurement Uncertainty (Hz)
	Span	Center Freq		
1.5	1 MHz	1.5 GHz		±1
1.5	10 MHz	1.5 GHz		±1
1.5	20 MHz	1.5 GHz		±1
1.5	50 MHz	1.5 GHz		±1
1.5	100 MHz	1.5 GHz		±1
1.5	1 GHz	1.5 GHz		±1
4.0	1 MHz	4 GHz		±1
4.0	10 MHz	4 GHz		±1
4.0	20 MHz	4 GHz		±1
4.0	50 MHz	4 GHz		±1
4.0	100 MHz	4 GHz		±1
4.0	1 GHz	4 GHz		±1
9.0	1 MHz	9.0 GHz		±2
9.0	10 MHz	9.0 GHz		±2
9.0	20 MHz	9.0 GHz		±2
9.0	50 MHz	9.0 GHz		±2
9.0	100 MHz	9.0 GHz		±2
9.0	1 GHz	9.0 GHz		±2
16.0	1 MHz	16.0 GHz		±3
16.0	10 MHz	16.0 GHz		±3
16.0	20 MHz	16.0 GHz		±3
16.0	50 MHz	16.0 GHz		±3
16.0	100 MHz	16.0 GHz		±3
16.0	1 GHz	16.0 GHz		±3
21.0	1 MHz	21.0 GHz		±4
21.0	10 MHz	21.0 GHz		±4
21.0	20 MHz	21.0 GHz		±4
21.0	50 MHz	21.0 GHz		±4
21.0	100 MHz	21.0 GHz		±4
21.0	1 GHz	21.0 GHz		±4

**29. Frequency Readout Accuracy/Frequency Count Marker Accuracy: Agilent 8563E/EC****Table 10-44****Frequency Count Marker Accuracy**

<b>Agilent 8340A/B Frequency (GHz)</b>	<b>Agilent 8563E/EC Frequency (GHz)</b>	<b>Marker Frequency</b>	<b>Measurement Uncertainty (Hz)</b>
1.5	1.5		±1
4.0	4.0		±1
9.0	9.0		±2
16.0	16.0		±3
21.0	21.0		±4

## 30. Frequency Readout Accuracy/Frequency Count Marker Accuracy: Agilent 8564E/EC

### Instrument Under Test

Agilent 8564E/EC

### Related Specification

Frequency Readout Accuracy  
Frequency Count Marker Accuracy

### Related Adjustment

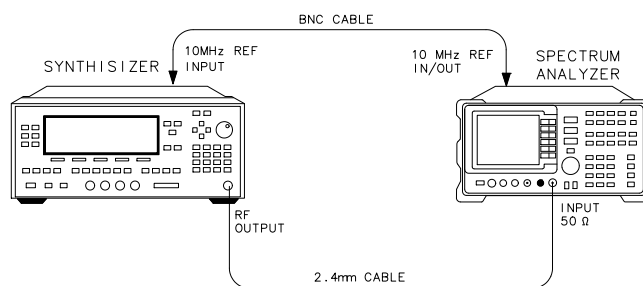
YTO Adjustment  
10 MHz Frequency Reference Adjustment

### Description

The accuracy of the spectrum analyzer frequency readout/frequency count marker is tested with an input signal of known frequency. The spectrum analyzer provides the frequency reference for the synthesized sweeper, thus eliminating the (frequency readout  $\times$  frequency reference accuracy) term. Performing the appropriate 10 MHz Reference Output Accuracy test in this chapter satisfies checking the effect of this term.

Figure 10-32

Frequency Readout Accuracy/Frequency Count Marker Accuracy Test Setup



xj17e

### Equipment

Synthesized sweeper ..... Agilent 83650A



### 30. Frequency Readout Accuracy/Frequency Count Marker Accuracy: Agilent 8564E/EC

#### Adapter

2.4 mm (f) to 2.4 mm (f) . . . . . Agilent 11900B

#### Cables

2.4 mm, 91 cm (36 in.) . . . . . 8120-6164

BNC, 122 cm (48 in.) . . . . . Agilent 10503A

#### Procedure

1. Connect the equipment as shown in [Figure 10-32](#).

#### Frequency Readout Accuracy

2. On the 83650A, Press **PRESET**. Set the controls as follows:
  - CW frequency . . . . . 1.5 GHz
  - Power level . . . . . –10 dBm
3. On the spectrum analyzer, press **PRESET**. Set the controls as follows:
  - Center frequency . . . . . 1.5 GHz
  - Span . . . . . 1 MHz
4. On the spectrum analyzer, press **RECALL, MORE 1 OF 2, FACTORY PRSEL PK**.
5. On the spectrum analyzer, press **PEAK SEARCH**.
6. Record the MKR frequency in [Table 10-45](#) as the marker reading.
7. Repeat steps 5 and 6 for all frequency and span combinations listed in [Table 10-45](#). Peak the spectrum analyzer preselector after tuning the analyzer center frequency and the Agilent 83650A CW to frequencies of 4 GHz and above.

#### Frequency Count Marker Accuracy

8. On the spectrum analyzer, press **SPAN, 1, MHz, FREQ COUNT, COUNTER RES, 1, Hz**.
9. Key in the Agilent 83650A CW frequencies and the spectrum analyzer center frequencies as indicated in [Table 10-46](#). Press **PEAK SEARCH**, and record the MKR frequency in [Table 10-46](#).

**30. Frequency Readout Accuracy/Frequency Count Marker Accuracy: Agilent 8564E/EC****Table 10-45****Frequency Readout Accuracy**

Agilent 8340A/B Frequency (GHz)	Agilent 8564E/EC		Marker Reading (GHz)	Measurement Uncertainty (Hz)
	Span	Center Freq		
1.5	1 MHz	1.5 GHz		±1
1.5	10 MHz	1.5 GHz		±1
1.5	20 MHz	1.5 GHz		±1
1.5	50 MHz	1.5 GHz		±1
1.5	100 MHz	1.5 GHz		±1
1.5	1 GHz	1.5 GHz		±1
4.0	1 MHz	4 GHz		±1
4.0	10 MHz	4 GHz		±1
4.0	20 MHz	4 GHz		±1
4.0	50 MHz	4 GHz		±1
4.0	100 MHz	4 GHz		±1
4.0	1 GHz	4 GHz		±1
9.0	1 MHz	9.0 GHz		±2
9.0	10 MHz	9.0 GHz		±2
9.0	20 MHz	9.0 GHz		±2
9.0	50 MHz	9.0 GHz		±2
9.0	100 MHz	9.0 GHz		±2
9.0	1 GHz	9.0 GHz		±2
16.0	1 MHz	16.0 GHz		±3
16.0	10 MHz	16.0 GHz		±3
16.0	20 MHz	16.0 GHz		±3
16.0	50 MHz	16.0 GHz		±3
16.0	100 MHz	16.0 GHz		±3
16.0	1 GHz	16.0 GHz		±3
21.0	1 MHz	21.0 GHz		±4
21.0	10 MHz	21.0 GHz		±4
21.0	20 MHz	21.0 GHz		±4

**30. Frequency Readout Accuracy/Frequency Count Marker Accuracy: Agilent 8564E/EC**

**Table 10-45 Frequency Readout Accuracy (Continued)**

Agilent 8340A/B Frequency (GHz)	Agilent 8564E/EC		Marker Reading (GHz)	Measurement Uncertainty (Hz)
	Span	Center Freq		
21.0	50 MHz	21.0 GHz		±4
21.0	100 MHz	21.0 GHz		±4
21.0	1 GHz	21.0 GHz		±4
29.0	1 MHz	29.0 GHz		±6
29.0	10 MHz	29.0 GHz		±6
29.0	20 MHz	29.0 GHz		±6
29.0	50 MHz	29.0 GHz		±6
29.0	100 MHz	29.0 GHz		±6
29.0	1 GHz	29.0 GHz		±6
35.0	1 MHz	35.0 GHz		±6
35.0	10 MHz	35.0 GHz		±6
35.0	20 MHz	35.0 GHz		±6
35.0	50 MHz	35.0 GHz		±6
35.0	100 MHz	35.0 GHz		±6
35.0	1 GHz	35.0 GHz		±6

**Table 10-46 Frequency Count Marker Accuracy**

Agilent 8340A/B Frequency (GHz)	Agilent 8564E/EC Frequency (GHz)	Marker Frequency	Measurement Uncertainty (Hz)
1.5	1.5		±1
4.0	4.0		±1
9.0	9.0		±2
16.0	16.0		±3
21.0	21.0		±4
29.0	29.0		±6
35.0	35.0		±6

## 31. Frequency Readout Accuracy/Frequency Count & Marker Accuracy: Agilent 8565E/EC

### Instrument Under Test

Agilent 8565E/EC

### Related Specification

Frequency Readout Accuracy  
 Frequency Count Marker Accuracy

### Related Adjustment

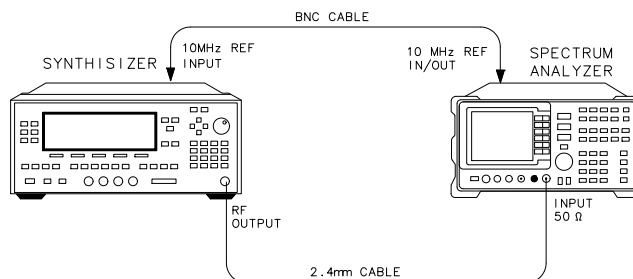
YTO Adjustment  
 10 MHz Frequency Reference Adjustment

### Description

The accuracy of the spectrum analyzer frequency readout/frequency count marker is tested with an input signal of known frequency. The spectrum analyzer provides the frequency reference for the synthesized sweeper, thus eliminating the (frequency readout × frequency reference accuracy) term. Performing the appropriate 10 MHz Reference Output Accuracy test in this chapter satisfies checking the effect of this term.

Figure 10-33

Frequency Readout Accuracy/Frequency Count Marker Accuracy Test Setup



xj17e

### Equipment

Synthesized sweeper . . . . . Agilent 83650A

### 31. Frequency Readout Accuracy/Frequency Count & Marker Accuracy: Agilent 8565E/EC

#### Adapter

2.4 mm (f) to 2.4 mm (f) . . . . . Agilent 11900B

#### Cables

2.4 mm, 91 cm (36 in.) . . . . . 8120-6164

BNC, 122 cm (48 in.) . . . . . Agilent 10503A

#### Procedure

1. Connect the equipment as shown in [Figure 10-33](#).

#### Frequency Readout Accuracy

2. On the 83650A, Press **PRESET**. Set the controls as follows:
  - CW frequency . . . . . 1.5 GHz
  - Power level . . . . . -10 dBm
3. On the spectrum analyzer, press **PRESET**. Set the controls as follows:
  - Center frequency . . . . . 1.5 GHz
  - Span . . . . . 1 MHz
4. On the spectrum analyzer, press **RECALL, MORE 1 OF 2, FACTORY PRSEL PK**.
5. On the spectrum analyzer, press **PEAK SEARCH**.
6. Record the MKR frequency in [Table 10-47](#) as the marker reading.
7. Repeat steps 5 and 6 for all frequency and span combinations listed in [Table 10-47](#). Peak the spectrum analyzer preselector after tuning the analyzer center frequency and the Agilent 83650A CW to frequencies of 4 GHz and above.

#### Frequency Count Marker Accuracy

8. On the spectrum analyzer, press **SPAN, 1, MHz, FREQ COUNT, COUNTER RES, 1, Hz**.
9. Key in the Agilent 83650A CW frequencies and the spectrum analyzer center frequencies as indicated in [Table 10-48](#). Press **PEAK SEARCH**, and record the MKR frequency in [Table 10-48](#).

**31. Frequency Readout Accuracy/Frequency Count& Marker Accuracy: Agilent 8565E/EC****Table 10-47****Frequency Readout Accuracy**

Agilent 8340A/B Frequency (GHz)	Agilent 8565E/EC		Marker Reading (GHz)	Measurement Uncertainty (Hz)
	Span	Center Freq		
1.5	1 MHz	1.5 GHz		±1
1.5	10 MHz	1.5 GHz		±1
1.5	20 MHz	1.5 GHz		±1
1.5	50 MHz	1.5 GHz		±1
1.5	100 MHz	1.5 GHz		±1
1.5	1 GHz	1.5 GHz		±1
4.0	1 MHz	4 GHz		±1
4.0	10 MHz	4 GHz		±1
4.0	20 MHz	4 GHz		±1
4.0	50 MHz	4 GHz		±1
4.0	100 MHz	4 GHz		±1
4.0	1 GHz	4 GHz		±1
9.0	1 MHz	9.0 GHz		±2
9.0	10 MHz	9.0 GHz		±2
9.0	20 MHz	9.0 GHz		±2
9.0	50 MHz	9.0 GHz		±2
9.0	100 MHz	9.0 GHz		±2
9.0	1 GHz	9.0 GHz		±2
16.0	1 MHz	16.0 GHz		±3
16.0	10 MHz	16.0 GHz		±3
16.0	20 MHz	16.0 GHz		±3
16.0	50 MHz	16.0 GHz		±3
16.0	100 MHz	16.0 GHz		±3
16.0	1 GHz	16.0 GHz		±3
21.0	1 MHz	21.0 GHz		±4
21.0	10 MHz	21.0 GHz		±4
21.0	20 MHz	21.0 GHz		±4
21.0	50 MHz	21.0 GHz		±4

**31. Frequency Readout Accuracy/Frequency Count & Marker Accuracy: Agilent  
8565E/EC**

Table 10-47

Frequency Readout Accuracy (Continued)

Agilent 8340A/B Frequency (GHz)	Agilent 8565E/EC		Marker Reading (GHz)	Measurement Uncertainty (Hz)
	Span	Center Freq		
21.0	100 MHz	21.0 GHz		±4
21.0	1 GHz	21.0 GHz		±4
29.0	1 MHz	29.0 GHz		±6
29.0	10 MHz	29.0 GHz		±6
29.0	20 MHz	29.0 GHz		±6
29.0	50 MHz	29.0 GHz		±6
29.0	100 MHz	29.0 GHz		±6
29.0	1 GHz	29.0 GHz		±6
35.0	1 MHz	35.0 GHz		±6
35.0	10 MHz	35.0 GHz		±6
35.0	20 MHz	35.0 GHz		±6
35.0	50 MHz	35.0 GHz		±6
35.0	100 MHz	35.0 GHz		±6
35.0	1 GHz	35.0 GHz		±6
45.0	1 MHz	45.0 GHz		±8
45.0	10 MHz	45.0 GHz		±8
45.0	20 MHz	45.0 GHz		±8
45.0	50 MHz	45.0 GHz		±8
45.0	100 MHz	45.0 GHz		±8
45.0	1 GHz	45.0 GHz		±8

**31. Frequency Readout Accuracy/Frequency Count & Marker Accuracy: Agilent 8565E/EC****Table 10-48****Frequency Count Marker Accuracy**

<b>Agilent 8340A/B Frequency (GHz)</b>	<b>Agilent 8565E/EC Frequency (GHz)</b>	<b>Marker Frequency</b>	<b>Measurement Uncertainty (Hz)</b>
1.5	1.5		±1
4.0	4.0		±1
9.0	9.0		±2
16.0	16.0		±3
21.0	21.0		±4
29.0	29.0		±6
35.0	35.0		±6
45.0	45.0		±8



## 32. Pulse Digitization Uncertainty

### Instrument Under Test

All 8560 E-Series and EC-Series

### Related Specification

Pulse Digitization Uncertainty

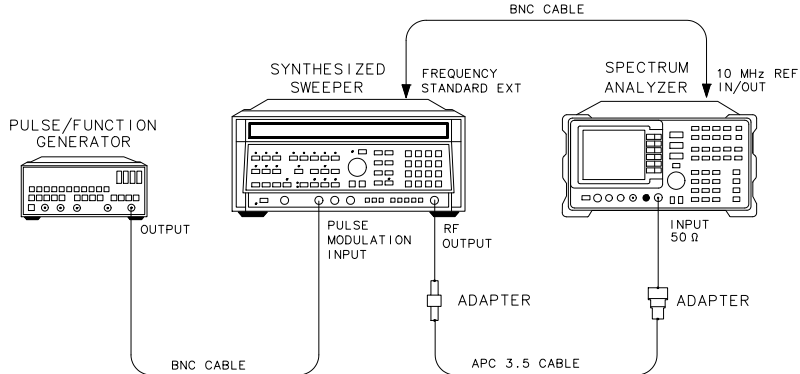
### Related Adjustment

There is no related adjustment procedure for this performance test.

### Description

This test measures the ability of the spectrum analyzer analog-to-digital circuitry to respond to pulsed RF signals. The synthesized sweeper is phase-locked to the spectrum analyzer 10 MHz reference. The only log scale tested is 5 dB/DIV, because this is the worst case. Linear scale is also tested.

**Figure 10-34** Pulse Digitization Uncertainty Test Setup



dp113e

### Equipment

- Synthesized sweeper . . . . . Agilent 8340A/B
- Pulse/function generator . . . . . Agilent 8116A

### Adapters

- Type N (m) to APC 3.5 (f) . . . . . 1250-1744
- APC 3.5 (f) to APC 3.5 (f) . . . . . 5061-5311

**32. Pulse Digitization Uncertainty**

Type N (f) to 2.4 mm (f) . . . . . Agilent 11903B  
*(for Agilent 8564E/EC and Agilent 8565E/EC)*

**Cables**

BNC, 122 cm (48 in.) (2 required) . . . . . Agilent 10503A  
 APC 3.5, 91 cm (36 in.) . . . . . 8120-4921

**Procedure**

1. Connect the equipment as shown in [Figure 10-34](#).
2. On the Agilent 8340A/B, press **INSTR PRESET**. Set the controls as follows:
  - CW frequency . . . . . 2500 MHz
  - Modulation . . . . . PULSE
  - Power level . . . . . –15 dB
  - RF output . . . . . on
  - Leveling . . . . . Internal
  - Frequency standard switch (rear panel) . . . . . EXT
3. Set the Agilent 8116A controls as follows:
  - Function . . . . . Pulse
  - Frequency . . . . . 144 kHz
  - Pulse width . . . . . 200 ns
  - Amplitude . . . . . 5.0 V
  - Offset . . . . . 0.0 V
  - Mode . . . . . Normal
  - CTRL . . . . . off
4. On the spectrum analyzer, press **PRESET, TRACE, MORE 1 OF 3, DETECTOR MODES, DETECTOR POS PEAK**. Set the controls as follows:
  - Center frequency . . . . . 2500 MHz
  - Span . . . . . 0 Hz
  - Reference level . . . . . –10 dBm
  - Resolution BW . . . . . 1 MHz
  - Video BW . . . . . 3 MHz

Sweep time ..... 50 ms  
 dB/division ..... 5 dB

5. On the Agilent 8116A, use the RANGE switch to set FREQ to 144 kHz.
6. On the spectrum analyzer, press **SGL SWP, PEAK SEARCH**. In [Table 10-49](#), record the marker amplitude reading as the maximum level for 144 kHz PRF.
7. Press **MKR**. Using the RPG knob, move the marker until it is at the lowest point on the trace. In [Table 10-49](#), record the marker amplitude reading as the minimum level for 144 kHz PRF.
8. On the Agilent 8116A, use the RANGE switch to set FREQ to 14.4 kHz.
9. On the spectrum analyzer, press **SGL SWP, SGL SWP, PEAK SEARCH**. In [Table 10-49](#), record the marker amplitude reading as the maximum level for 14.4 kHz PRF.
10. Press **MKR**. Using the RPG knob, move the marker until it is at the lowest point on the trace. In [Table 10-49](#), record the marker amplitude reading as the minimum level for 14.4 kHz PRF.
11. On the spectrum analyzer, press **AMPLITUDE, LINEAR, TRIG, SWEEP CONT, AMPLITUDE, REF LVL**. Adjust the reference level to place the trace one division below the top of the screen. Note the reference level setting in [Table 10-49](#).
12. Repeat steps 5 through 10 for the linear scale.
13. On the spectrum analyzer, press **BW, RES BW, 2, MHz**. Press **AMPLITUDE, LOG dB/DIV, 5, dB, TRIG, SWEEP CONT, AMPLITUDE, REF LVL, -10, dBm**.
14. Repeat steps 5 through 12.
15. For each row of entries in [Table 10-49](#) for the Log 5 dB/DIV scale, subtract the lowest Min. marker amplitude reading from the highest maximum marker amplitude reading. Record the result as the PDU (pulse digitization uncertainty).
16. For each row of entries in [Table 10-49](#) for the linear scale, calculate the PDU as a percentage of reference level using the equation below.

$$\text{PDU} = 100 \times [(\text{highest max. marker amplitude} - \text{lowest min. marker amplitude}) / \text{reference level setting}]$$

**Table 10-49 Pulse Digitization Uncertainty**

Res BW	Scale	Marker Amplitude Readings				PDU	Ref Level
		144 kHz PRF		14.4 kHz PRF			
		Max.	Min.	Max.	Min.		
1 MHz	Log 5 dB/DIV	dBm	dBm	dBm	dBm	dB	N/A

**Table 10-49 Pulse Digitization Uncertainty**

Res BW	Scale	Marker Amplitude Readings				PDU	Ref Level
		144 kHz PRF		14.4 kHz PRF			
		Max.	Min.	Max.	Min.		
1 MHz	Linear	mV	mV	mV	mV	%	mV
2 MHz	Log 5 dB/DIV	dBm	dBm	dBm	dBm	dB	N/A
2 MHz	Linear	mV	mV	mV	mV	%	mV

## 33. Second Harmonic Distortion: Agilent 8560E/EC

### Instrument Under Test

8560E/EC

### Related Specification

Second Harmonic Distortion

### Related Adjustment

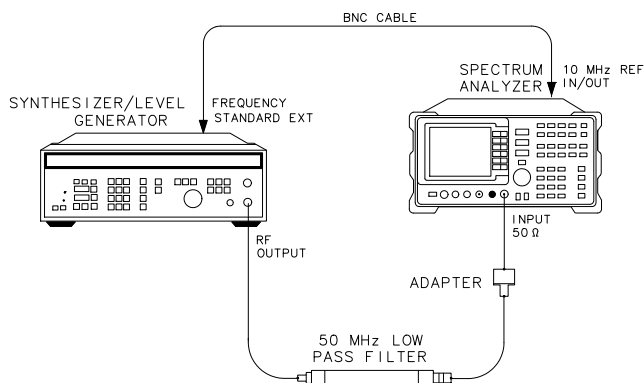
There is no related adjustment procedure for this performance test.

### Description

A synthesizer/level generator and low-pass filter provide the signal for measuring second harmonic distortion. The low-pass filter eliminates any harmonic distortion originating at the signal source. The synthesizer is phase-locked to the spectrum analyzer 10 MHz reference. This test is performed at an input frequency of 40 MHz.

**Figure 10-35**

**Second Harmonic Distortion Test Setup**



xj12e

### Equipment

Synthesizer/level generator . . . . . Agilent 3335A  
 50 MHz low-pass filter . . . . . 0955-0306

### Adapter

Type N (m) to BNC (f) (2 required) . . . . . 1250-1476

**33. Second Harmonic Distortion: Agilent 8560E/EC**

**Cable**

BNC, 122 cm (48 in) (2 required) . . . . . Agilent 10503A

**Procedure**

1. Connect the equipment as shown in [Figure 10-35](#). The spectrum analyzer provides the frequency reference for the synthesizer.
2. Set the Agilent 3335A controls as follows:
  - Frequency . . . . . 40 MHz
  - Amplitude . . . . . –30 dBm
  - Amplitude increment . . . . . 0.05 dB
  - Output . . . . . 50  $\Omega$
3. On the spectrum analyzer, press **PRESET**. Set the controls as follows:
  - Center frequency . . . . . 40 MHz
  - Span . . . . . .1 kHz
  - Reference level . . . . . –30 dBm
4. On the spectrum analyzer, press **PEAK SEARCH**. On the Agilent 3335A adjust the output power level for a spectrum analyzer marker amplitude reading of –30 dBm  $\pm$ 0.17 dB.
5. On the spectrum analyzer, press **SGL SWP**. Wait for the completion of the sweep, then press **PEAK SEARCH, MKR→, MARKER → CF STEP**.
6. Press **MKR, MARKER DELTA, FREQUENCY,  $\uparrow$ , SGL SWP**.
7. After the spectrum analyzer completes a new sweep, press **PEAK SEARCH**. Record the  $\Delta$  MKR amplitude reading as the Second Harmonic Distortion.

Second harmonic distortion: \_\_\_\_\_ dBc

(Measurement uncertainty: +1.87/–2.28 dB)

## 34. Second Harmonic Distortion: Agilent 8561E/EC

### Instrument Under Test

Agilent 8561E/EC

### Related Specification

Second Harmonic Distortion

### Related Adjustment

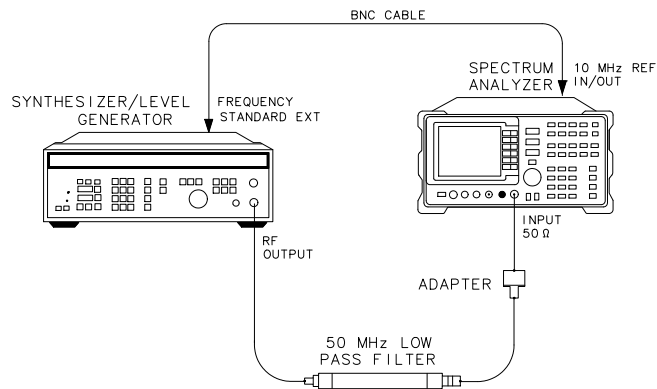
There is no related adjustment procedure for this performance test.

### Description

A synthesizer/level-generator (or synthesized sweeper) and low-pass filter provide the signal for measuring second harmonic distortion. The low-pass filter eliminates any harmonic distortion originating at the signal source. The spectrum analyzer frequency response is calibrated out for the >1.45 GHz test. The synthesizer (or synthesized sweeper) is phase-locked to the spectrum analyzer 10 MHz reference.

Figure 10-36

### Second Harmonic Distortion Test Setup, Band 0



xj12e





## Procedure

### Second Harmonic Distortion, <1.45 GHz

1. Connect the equipment as shown in [Figure 10-36](#), using the 50 MHz low-pass filter. The spectrum analyzer provides the frequency reference for the synthesizer.
2. Set the Agilent 3335A controls as follows:
  - Frequency . . . . . 40 MHz
  - Amplitude . . . . . –30 dBm
  - Amplitude increment . . . . . 0.05 dB
  - Output . . . . . 50  $\Omega$
3. On the spectrum analyzer, press **PRESET**. Set the controls as follows:
  - Center frequency . . . . . 40 MHz
  - Span . . . . . 1 kHz
  - Reference level . . . . . –30 dBm
4. On the spectrum analyzer, press **PEAK SEARCH**. On the Agilent 3335A adjust the output power level for a spectrum analyzer marker amplitude reading of –30 dBm  $\pm$ 0.17 dB.
5. On the spectrum analyzer, press **SGL SWP**. Wait for the completion of the sweep, then press **PEAK SEARCH, MKR**→, **MARKER** → **CF STEP**.
6. Press **MKR, MARKER DELTA, FREQUENCY,  $\uparrow$ , SGL SWP**.
7. After the spectrum analyzer completes a new sweep, press **PEAK SEARCH**. Record the  $\Delta$  MKR amplitude reading as the second harmonic distortion (<1.45 GHz).

Second harmonic distortion (<1.45 GHz): \_\_\_\_\_ dBc

### Second Harmonic Distortion, >1.45 GHz

8. Zero and calibrate the Agilent 8485A in LOG mode (readout in dBm). Enter the power sensor 3 GHz calibration factor into the Agilent 8902A.
9. Connect the equipment as shown in [Figure 10-37](#), without the filters in place.
10. On the spectrum analyzer, set the controls as follows:
  - Center frequency . . . . . 2.95 GHz
  - Center frequency step . . . . . 2.95 GHz

**34. Second Harmonic Distortion: Agilent 8561E/EC**

Reference level . . . . . 0 dBm

Span . . . . . 10 kHz

Resolution BW . . . . . 300 Hz

11. On the Agilent 8340A/B, set the controls as follows:

CW frequency . . . . . 2.95 GHz

Power level . . . . . –10 dBm

12. On the spectrum analyzer, press **TRIG, SWEEP CONT, MKR, MARKERS OFF, PEAK SEARCH**.

13. Press **AMPLITUDE, MORE 1 OF 3, MORE 2 OF 3, PRESEL AUTO PK**. Wait for the **PEAKING** message to disappear before continuing to the next step.

14. On the Agilent 8340A/B, adjust the power level for a spectrum analyzer MKR reading of –5 dBm.

15. On the Agilent 8902A, press **RATIO**. Enter the power sensor 6 GHz calibration factor into the Agilent 8902A.

16. Set the Agilent 8340A/B CW to 5.9 GHz.

17. On the spectrum analyzer, press **FREQUENCY, ↑, PEAK SEARCH**.

18. Press **AMPLITUDE, MORE 1 OF 3, MORE 2 OF 3, PRESEL AUTO PK**. Wait for the **PEAKING** message to disappear before continuing to the next step.

19. On the Agilent 8340A/B, adjust the power level for a spectrum analyzer MKR reading of –5 dBm.

20. Record the Agilent 8902A reading here, as the frequency response error:

Frequency response error: \_\_\_\_\_ dB

21. Connect the equipment as shown in [Figure 10-37](#), with the filter in place.

22. On the Agilent 8340A/B, set the controls as follows:

CW frequency . . . . . 2.95 GHz

Power level . . . . . –5 dBm

23. On the spectrum analyzer, press **MKR, MARKERS OFF, FREQUENCY, ↓, PEAK SEARCH**.

24. On the Agilent 8340A/B, adjust the power level for a spectrum analyzer marker amplitude reading of 0 dBm.

25. On the spectrum analyzer, press **SGL SWP, SGL SWP, PEAK SEARCH, MARKER DELTA, FREQUENCY, ↑**.

26. Press **AMPLITUDE, 30, –dBm, SGL SWP** then wait for the completion of a new sweep.

**34. Second Harmonic Distortion: Agilent 8561E/EC**

27. Press **PEAK SEARCH**. Record the  $\Delta$  MKR amplitude reading here:

$\Delta$  MKR amplitude reading: \_\_\_\_\_ dBc

28. Algebraically add the frequency response error recorded in step 20 to the  $\Delta$  MKR amplitude reading in step 27. Record the result here, as the second harmonic distortion (>1.45 GHz).

Second harmonic  
distortion (>1.45 GHz): \_\_\_\_\_ dBc

## 35. Second Harmonic Distortion: Agilent 8562E/EC, Agilent 8563E/EC, Agilent 8564E/EC, Agilent 8565E/EC

### Instrument Under Test

Agilent 8562E/EC  
Agilent 8563E/EC  
Agilent 8564E/EC  
Agilent 8565E/EC

### Related Specification

Second Harmonic Distortion

### Related Adjustment

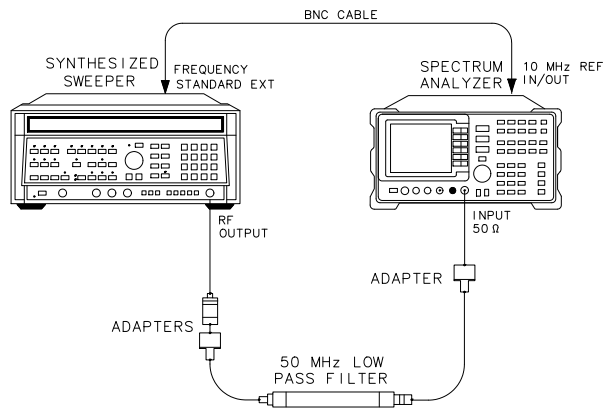
There is no related adjustment procedure for this performance test.

### Description

A synthesized sweeper and low-pass filter provide the signal for measuring second harmonic distortion. The low-pass filter eliminates any harmonic distortion originating at the signal source. The spectrum analyzer frequency response is calibrated out for the >1.45 GHz tests. The synthesized sweeper is phase-locked to the spectrum analyzer 10 MHz reference.

Figure 10-38

Second Harmonic Distortion Test Setup, <1.45 GHz

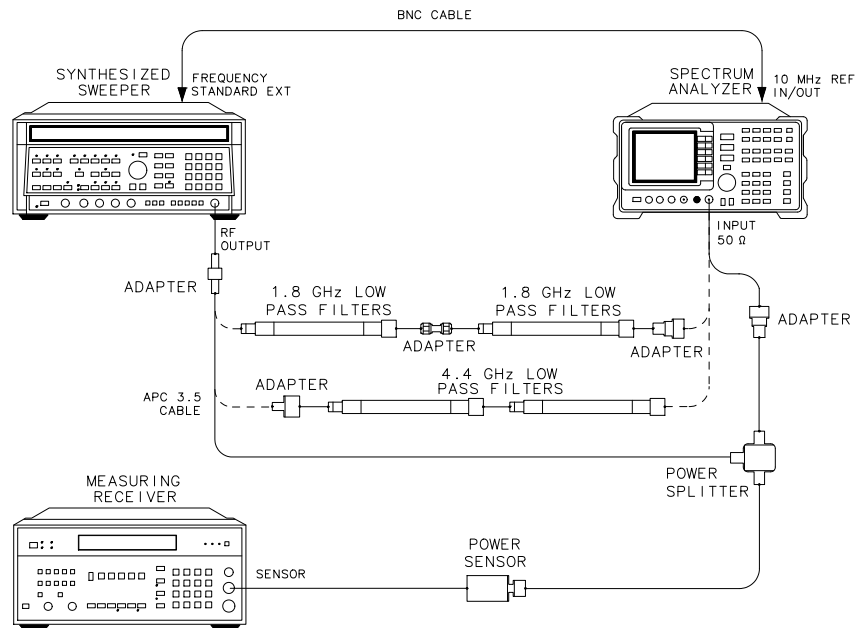


dp114e

**35. Second Harmonic Distortion: Agilent 8562E/EC, Agilent 8563E/EC, Agilent 8564E/EC, Agilent 8565E/EC**

**Figure 10-39**

**Second Harmonic Distortion Test Setup, >1.45 GHz**



dp120e

**Equipment**

Synthesized sweeper . . . . .	Agilent 8340A/B
Measuring receiver . . . . .	Agilent 8902A
Power sensor . . . . .	Agilent 8485A
1.8 GHz low-pass filter (2 required) . . . . .	0960-0159
50 MHz low-pass filter . . . . .	0955-0306
4.4 GHz low-pass filter (2 required) . . . . .	Agilent 11689A
Power splitter . . . . .	Agilent 11667B

**Adapters**

Type N (m) to BNC (f) (2 required) . . . . .	1250-1476
Type N (m) to SMA (f) . . . . .	1250-1250
Type N (f) to APC 3.5 (f) . . . . .	1250-1745
Type N (m) to APC 3.5 (m) . . . . .	1250-1743
APC 3.5 (f) to APC 3.5 (f) . . . . .	5061-5311
SMA (m) to SMA (m) . . . . .	1250-1159

**35. Second Harmonic Distortion: Agilent 8562E/EC, Agilent 8563E/EC, Agilent 8564E/EC, Agilent 8565E/EC**

Type N (f) to 2.4 mm (f) . . . . . Agilent 11903B

*(for Agilent 8564E/EC and Agilent 8565E/EC)*

APC 3.5 (m) to 2.4 mm (f) . . . . . Agilent 11901D

*(for Agilent 8564E/EC and Agilent 8565E/EC)*

**Cables**

BNC, 122 cm (48 in.) (2 required) . . . . . Agilent 10503A

APC 3.5, 91 cm (36 in.) . . . . . 8120-4921

**Procedure**

**Distortion, <1.45 GHz**

1. Connect the equipment as shown in [Figure 10-38](#), using the 50 MHz low-pass filter and BNC cable. The spectrum analyzer provides the frequency reference for the synthesized sweeper.
2. On the Agilent 8340A/B, set the controls as follows:
  - CW frequency . . . . . 39 MHz
  - Power level . . . . . –30 dBm
  - Power step . . . . . 0.05 dB
  - RF power . . . . . on
  - Frequency standard switch (Rear Panel) . . . . . EXT
3. On the spectrum analyzer, press **PRESET**. Set the controls as follows:
  - Center frequency . . . . . 39 MHz
  - Span . . . . . 1 kHz
  - Reference level . . . . . –30 dBm
4. On the spectrum analyzer, press **PEAK SEARCH**. On the Agilent 8340A/B, adjust the power level for a spectrum analyzer marker amplitude reading of –30 dBm ±0.17 dB.
5. On the spectrum analyzer, press **SGL SWP** and wait for the sweep to complete. Press **PEAK SEARCH**, **MARKER** →, **MARKER** → **CF STEP** then **MKR**, **MARKER DELTA**, **FREQUENCY**, ↑.
6. Press **SGL SWP**.

**35. Second Harmonic Distortion: Agilent 8562E/EC, Agilent 8563E/EC, Agilent 8564E/EC, Agilent 8565E/EC**

- After the spectrum analyzer completes a new sweep, press **PEAK SEARCH**. Record the  $\Delta$  MKR reading here:

Second harmonic distortion (<1.45 GHz): \_\_\_\_\_ dBc

**Frequency Response Characterization, 1.5 GHz**

- Zero and calibrate the Agilent 8902A/Agilent 8485A combination in LOG mode (readout in dBm). Enter the power sensor 1.5 GHz calibration factor into the Agilent 8902A.
- Connect the equipment as shown in [Figure 10-39](#), without the filters in place.
- On the spectrum analyzer, set the controls as follows:

Center frequency . . . . . 1.5 GHz  
 Center frequency step . . . . . 1.5 GHz  
 Reference level . . . . . 0 dBm  
 Span . . . . . 10 kHz  
 Resolution BW . . . . . 1 kHz

- On the Agilent 8340A/B, set the controls as follows:

CW frequency . . . . . 1.5 GHz  
 Power level . . . . . -10 dBm

- On the spectrum analyzer, press **TRIG, SWEEP CONT, MKR, MARKERS OFF, PEAK SEARCH**.
- On the Agilent 8340A/B, adjust the power level for a spectrum analyzer MKR reading of -5 dBm.
- On the Agilent 8902, press **RATIO**. Enter the power sensor 3 GHz calibration factor into the Agilent 8902A.
- Set the Agilent 8340A/B CW to 3 GHz.
- On the spectrum analyzer, press **FREQUENCY, ↑, PEAK SEARCH**.
- Press **AUX CTRL, INTERNAL MIXER, PRESEL AUTO PK**. Wait for the PEAKING! message to disappear before continuing to the next step.
- On the Agilent 8340A/B, adjust the power level for a spectrum analyzer MKR reading of -5 dBm.
- Record the Agilent 8902A reading here, as the frequency response error (1.5 GHz):

Frequency response error (1.5 GHz): \_\_\_\_\_ dB

**Frequency Response Characterization, 2.95 GHz**

**35. Second Harmonic Distortion: Agilent 8562E/EC, Agilent 8563E/EC, Agilent 8564E/EC, Agilent 8565E/EC**

20. Press **RATIO** on the Agilent 8902A.

21. On the spectrum analyzer, set the controls as follows:

Center frequency . . . . . 2.95 GHz

Center frequency step . . . . . 2.95 GHz

22. On the Agilent 8340A/B, set the controls as follows:

CW frequency . . . . . 2.95 GHz

Power level . . . . . –10 dBm

23. On the spectrum analyzer, press **PEAK SEARCH**.

24. Press **AUX CTRL, INTERNAL MIXER, PRESEL AUTO PK**. Wait for the **PEAKING!** message to disappear before continuing to the next step.

25. On the Agilent 8340A/B, adjust the power level for a spectrum analyzer MKR reading of –5 dBm.

26. On the Agilent 8902, press **RATIO**. Enter the power sensor 6 GHz calibration factor into the Agilent 8902A.

27. Set the Agilent 8340A/B CW to 5.9 GHz.

28. On the spectrum analyzer, press **FREQUENCY, ↑, PEAK SEARCH**.

29. Press **AUX CTRL, INTERNAL MIXER, PRESEL AUTO PK**. Wait for the **PEAKING!** message to disappear before continuing to the next step.

30. On the Agilent 8340A/B, adjust the power level for a spectrum analyzer MKR reading of –5 dBm.

31. Record the Agilent 8902A reading here, as the frequency response error (2.95 GHz):

Frequency response error (2.95 GHz): \_\_\_\_\_ dB

**Distortion, 1.45 GHz to 2.0 GHz**

32. Connect the equipment as shown in [Figure 10-39](#), with the 1.8 GHz filters in place.

33. On the Agilent 8340A/B, set the controls as follows:

CW frequency . . . . . 1.5 GHz

Power level . . . . . –5 dBm

34. Set the spectrum analyzer as follows:

Center frequency . . . . . 1.5 GHz



**35. Second Harmonic Distortion: Agilent 8562E/EC, Agilent 8563E/EC, Agilent 8564E/EC, Agilent 8565E/EC**

Center frequency step ..... 1.5 GHz  
 Span ..... 1 kHz  
 Resolution BW ..... AUTO  
 Markers ..... off

35. Press **PEAK SEARCH** on the spectrum analyzer.

36. On the Agilent 8340A/B, adjust the power level for a spectrum analyzer marker amplitude reading of 0 dBm.

37. On the spectrum analyzer, press **SGL SWP, PEAK SEARCH, MARKER DELTA, FREQUENCY**,  $\uparrow$ .

38. Press **AMPLITUDE 30 –dBm SGL SWP**.

39. Wait for completion of a new sweep, then press **PEAK SEARCH**. Record the  $\Delta$  MKR amplitude reading here:

$\Delta$  MKR amplitude reading: \_\_\_\_\_ dBc

40. Algebraically add the frequency response error (1.5 GHz) recorded in step 19 to the  $\Delta$  MKR amplitude reading in step 39. Record the result here, as the second harmonic distortion (1.5 GHz).

Second harmonic distortion (1.5 GHz): \_\_\_\_\_ dBc

41. On the spectrum analyzer, press **TRIG, SWEEP CONT, AMPLITUDE, 0, dBm**.

**Distortion, >2.0 GHz**

42. Connect the equipment as shown in [Figure 10-39](#), with the 4.4 GHz filters in place.

43. On the Agilent 8340A/B, set the controls as follows:

CW frequency ..... 2.95 GHz  
 Power level ..... –5 dBm

44. On the spectrum analyzer, press **MKR, MARKERS OFF, FREQUENCY, 2.95, GHz, CF STEP, 2.95, GHz, PEAK SEARCH**.

45. On the Agilent 8340A/B, adjust the power level for a spectrum analyzer marker amplitude reading of 0 dBm.

46. On the spectrum analyzer, press **SGL SWP, PEAK SEARCH, MARKER DELTA, FREQUENCY**,  $\uparrow$ .

47. Press **AMPLITUDE, 30, –dBm, SGL SWP**.

48. Wait for completion of a new sweep, then press **PEAK SEARCH**. Record the  $\Delta$

**35. Second Harmonic Distortion: Agilent 8562E/EC, Agilent 8563E/EC, Agilent 8564E/EC, Agilent 8565E/EC**

MKR amplitude reading here:

$\Delta$  MKR amplitude reading: \_\_\_\_\_ dBc

49. Algebraically add the frequency response error recorded in step 31 to the  $\Delta$  MKR amplitude reading in step 49. Record the result here, as the second harmonic distortion (>2.0 GHz).

Second harmonic distortion (>2.0 GHz): \_\_\_\_\_ dBc

## 36. Frequency Response: 8560E/EC

### Instrument Under Test

8560E/EC

### Related Specification

Relative Frequency Response  
Absolute Frequency Response

### Related Adjustment

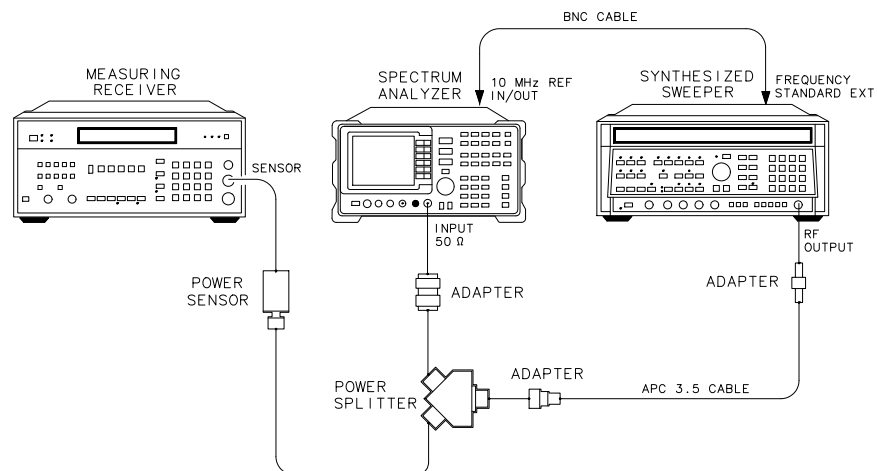
Frequency Response Adjustment  
LO Distribution Amplifier Adjustment

### Description

The output of the synthesized sweeper is fed through a power splitter to a power sensor, then to the spectrum analyzer. The synthesized sweeper power level is adjusted at 300 MHz to place the displayed signal at the spectrum analyzer center horizontal graticule line. The measuring receiver, used as a power meter, is placed in ratio mode. At each new synthesized sweeper frequency and spectrum analyzer center frequency, the sweeper power level is adjusted to place the signal at the center horizontal graticule line. The measuring receiver displays the inverse of the frequency response relative to the calibrator.

Figure 10-40

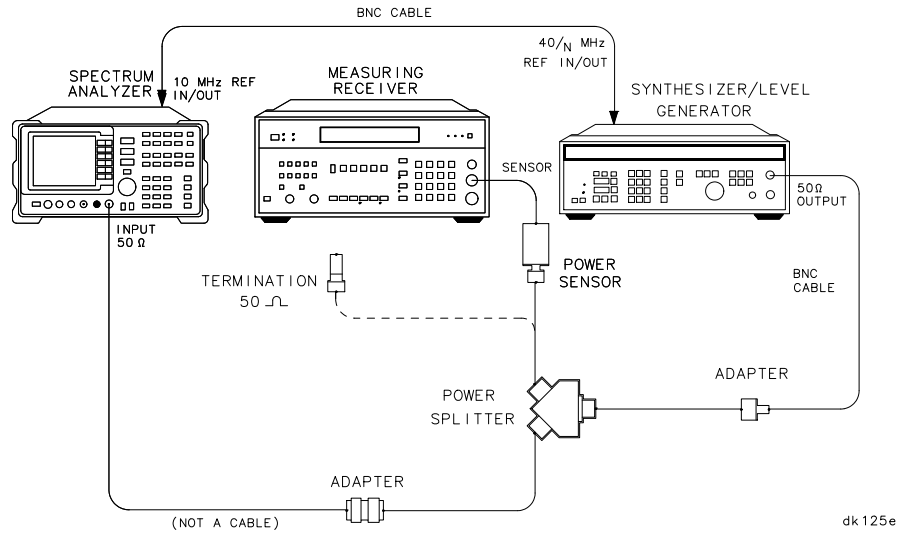
### Frequency Response Test Setup, 50 MHz to 2.9 GHz



dk 124 e

**Figure 10-41**

**Frequency Response Test Setup, <50 MHz**



**Equipment**

Measuring receiver . . . . .	Agilent 8902A
Synthesized sweeper . . . . .	Agilent 8340A/B
Synthesizer/level generator . . . . .	Agilent 3335A
Power sensor . . . . .	Agilent 8482A
Power splitter . . . . .	Agilent 11667A
Coaxial 50 Ω termination . . . . .	Agilent 908A

**Adapters**

APC 3.5 (f) to APC 3.5 (f) . . . . .	5061-5311
Type N (m) to type N (m) . . . . .	1250-1475
Type N (m) to BNC (f) . . . . .	1250-1476
Type N (m) to APC 3.5 (f) . . . . .	1250-1744

**Cables**

BNC, 122 cm (48 in) (2 required) . . . . .	Agilent 10503A
APC 3.5, 91 cm (36 in) . . . . .	8120-4921

## Procedure

1. Zero and calibrate the Agilent 8902A and the Agilent 8482A in log mode, as described in the Agilent 8902A Operation Manual. Enter the power sensor 300 MHz calibration factor into the Agilent 8902A.
2. Connect the equipment as shown in [Figure 10-40](#).
3. On the Agilent 8340A/B, press **INSTR PRESET**. Set the controls as follows:
  - CW frequency . . . . . 300 MHz
  - Frequency step . . . . . 100 MHz
  - Power level . . . . . -4 dBm
  - Frequency standard switch (rear panel) . . . . . EXT
4. On the spectrum analyzer, press **PRESET**. Set the controls as follows:
  - Center frequency . . . . . 300 MHz
  - Center frequency step . . . . . 100 MHz
  - Span . . . . . 0 Hz
  - Reference level . . . . . -5 dBm
  - dB/division . . . . . 1 dB
  - Resolution BW . . . . . 300 kHz
5. On the spectrum analyzer, press **MKR**.
6. On the Agilent 8340A/B, adjust the power level for a MKR amplitude of -10 dBm  $\pm$ 0.05 dB.
7. Press **RATIO** on the Agilent 8902A.

### DC Coupled Frequency Response ( $\geq$ 50 MHz)

8. On the spectrum analyzer, press **AMPLITUDE, MORE 1 OF 3, COUPLING DC**.
9. Set the Agilent 8340A/B CW to 50 MHz.
10. On the spectrum analyzer, press **FREQUENCY, CENTER FREQ, 50, MHz**.
11. On the Agilent 8340A/B, adjust the power level for a spectrum analyzer MKR amplitude reading of -10 dBm  $\pm$ 0.05 dB.
12. Record the negative of the power ratio displayed on the Agilent 8902A in [Table 10-50](#), column 2. Record the power ratio here exactly as it is displayed on the Agilent 8902A:

Agilent 8902A reading at 50 MHz: \_\_\_\_\_ dB

13. Set the Agilent 8340A/B CW to 100 MHz.
14. On the spectrum analyzer, press **FREQUENCY, CENTER FREQ, 100, MHz**.
15. On the Agilent 8340A/B, adjust the power level for a spectrum analyzer MKR amplitude reading of  $-10 \text{ dBm} \pm 0.05 \text{ dB}$ .
16. Record the negative of the power ratio displayed on the Agilent 8902A, in [Table 10-50](#), column 2.
17. On the Agilent 8340A/B, press **CW**  $\uparrow$ .
18. On the spectrum analyzer, press **FREQUENCY**,  $\uparrow$ , to step through the remaining frequencies listed in [Table 10-50](#). At each new frequency, repeat steps 15 through 17, entering the power sensor calibration factors into the Agilent 8902A as indicated in [Table 10-50](#).

#### AC Coupled Frequency Response ( $\geq 50 \text{ MHz}$ )

19. On the spectrum analyzer, press **AMPLITUDE, MORE 1 OF 3, COUPLING AC**.
20. Set the Agilent 8340A/B CW to 50 MHz.
21. On the spectrum analyzer, press **FREQUENCY, CENTER FREQ, 50, MHz**.
22. On the Agilent 8340A/B, adjust the power level for a spectrum analyzer MKR amplitude reading of  $-10 \text{ dBm} \pm 0.05 \text{ dB}$ .
23. Record the negative of the power ratio displayed on the Agilent 8902A, in [Table 10-51](#), column 2. Record the power ratio here exactly as it is displayed on the Agilent 8902A:

Agilent 8902A reading at 50 MHz: \_\_\_\_\_ dB

24. Set the Agilent 8340A/B CW to 100 MHz.
25. On the spectrum analyzer, press **FREQUENCY, CENTER FREQ, 100, MHz**.
26. On the Agilent 8340A/B, adjust the power level for a spectrum analyzer MKR amplitude reading of  $-10 \text{ dBm} \pm 0.05 \text{ dB}$ .
27. Record the negative of the power ratio displayed on the Agilent 8902A, in [Table 10-51](#), column 2.
28. On the Agilent 8340A/B, press **CW**,  $\uparrow$
29. On the spectrum analyzer, press **FREQUENCY**,  $\uparrow$  to step through the remaining frequencies listed in [Table 10-51](#). At each new frequency, repeat steps 26 through 28, entering the power sensor calibration factors into the Agilent 8902A as indicated in [Table 10-51](#).

#### DC Coupled Frequency Response ( $< 50 \text{ MHz}$ )

30. Connect the equipment as shown in [Figure 10-40](#) with the power sensor connected to the power splitter.

31. On the spectrum analyzer, press **AMPLITUDE MORE 1 OF 3 COUPLING DC**. Set the controls as follows:

- Center frequency . . . . . 50 MHz
- Span . . . . . 100 Hz
- Resolution BW . . . . . 10 Hz
- Marker . . . . . off
- Video BW . . . . . 1 Hz

32. On the Agilent 3335A, set the controls as follows:

- Frequency . . . . . 50 MHz
- Amplitude . . . . . -4 dBm
- Output . . . . . 50  $\Omega$
- Amplitude increment . . . . . 0.01 dB

33. Enter the power sensor 50 MHz calibration factor into the Agilent 8902A.

34. Adjust the Agilent 3335A amplitude until the Agilent 8902A display reads the same value as recorded in step 12. Record the Agilent 3335A amplitude here, and in [Table 10-52](#):

Agilent 3335A amplitude (50 MHz): \_\_\_\_\_ dBm

35. Replace the Agilent 8482A power sensor with the Agilent 908A 50  $\Omega$  termination.

36. On the spectrum analyzer, press **PEAK SEARCH, MARKER DELTA**.

37. Set the spectrum analyzer CENTER FREQ and the Agilent 3335A frequency to the frequencies listed in [Table 10-52](#). At each frequency press **PEAK SEARCH** on the spectrum analyzer and adjust the Agilent 3335A amplitude for a  $\Delta$  MKR amplitude reading of  $0.00 \pm 0.05$  dB. Record the Agilent 3335A amplitude setting in [Table 10-52](#), column 2, as the Agilent 3335A amplitude.

38. For each of the frequencies listed in [Table 10-52](#), subtract the Agilent 3335A amplitude reading (column 2) from the Agilent 3335A amplitude (50 MHz) recorded in step 36. Record the results as the response relative to 50 MHz in [Table 10-52](#), column 3.

39. Add to each of the response relative to 50 MHz entries in [Table 10-52](#) the Agilent 8902A reading for 50 MHz listed in [Table 10-50](#). Use the value from [Table 10-52](#) for the ac coupled frequency. Record the results as the response relative to 300 MHz, in [Table 10-52](#), column 4.

**AC Coupled Frequency Response (<50 MHz)**

40. Connect the equipment as shown in [Figure 10-40](#) with the power sensor connected to the power splitter.
41. On the spectrum analyzer, press **AMPLITUDE, MORE 1 OF 3, COUPLING AC**.
42. Set the controls as follows:

Center frequency . . . . . 50 MHz  
Span . . . . . 100 Hz  
Resolution BW . . . . . 10 Hz  
Marker . . . . . off  
Video BW . . . . . 1 Hz

43. On the Agilent 3335A, set the controls as follows:

Frequency . . . . . 50 MHz  
Amplitude . . . . . -4 dBm  
Output . . . . . 50  $\Omega$

44. Enter the power sensor 50 MHz calibration factor into the Agilent 8902A.
45. Adjust the Agilent 3335A AMPTD until the Agilent 8902A display reads the same value as recorded in step 23. Record the Agilent 3335A amplitude here and in [Table 10-53](#):

Agilent 3335A amplitude (50 MHz): \_\_\_\_\_ dB

46. Replace the Agilent 8482A power sensor with the Agilent 908A 50  $\Omega$  termination.
47. On the spectrum analyzer, press **PEAK SEARCH, MARKER DELTA**.
48. Set the spectrum analyzer center frequency and the Agilent 3335A frequency to the frequencies listed in [Table 10-53](#). At each frequency, press **PEAK SEARCH** on the spectrum analyzer, and adjust the Agilent 3335A amplitude for a  $\Delta$  MKR amplitude reading of  $0.00 \pm 0.05$  dB. Record the Agilent 3335A amplitude setting in [Table 10-53](#), column 2, as the Agilent 3335A amplitude.
49. For each of the frequencies listed in [Table 10-53](#), subtract the Agilent 3335A amplitude reading (column 2) from the Agilent 3335A amplitude (50 MHz) recorded in step 46. Record the results as the response relative to 50 MHz in [Table 10-53](#), column 3.
50. Add to each of the response relative to 50 MHz entries in [Table 10-53](#) the Agilent 8902A reading for 50 MHz listed in [Table 10-50](#). Record the results as the response relative to 300 MHz, in [Table 10-53](#), column 4.
51. Press **PRESET** on the spectrum analyzer.



**Test Results**

52. Record dc coupled frequency response results below:

- a. Enter the most positive number from [Table 10-52](#), column 4. \_\_\_\_\_ dB
- b. Enter the most positive number from [Table 10-50](#), column 2. \_\_\_\_\_ dB
- c. Of (a) and (b), enter whichever number is *more* positive. \_\_\_\_\_ dB
- d. Enter the most negative number from [Table 10-52](#), column 4. \_\_\_\_\_ dB
- e. Enter the most negative number from [Table 10-50](#), column 2. \_\_\_\_\_ dB
- f. Of (d) and (e), enter whichever number is *more* negative. \_\_\_\_\_ dB
- g. Subtract (f) from (c). \_\_\_\_\_ dB

53. Record ac coupled frequency response results below:

- a. Enter the most positive number from [Table 10-53](#), column 4. \_\_\_\_\_ dB
- b. Enter the most positive number from [Table 10-51](#), column 2. \_\_\_\_\_ dB
- c. Of (a) and (b), enter whichever number is *more* positive. \_\_\_\_\_ dB
- d. Enter the most negative number from [Table 10-53](#), column 4. \_\_\_\_\_ dB
- e. Enter the most negative number from [Table 10-51](#), column 2. \_\_\_\_\_ dB
- f. Of (d) and (e), enter whichever number is *more* negative. \_\_\_\_\_ dB
- g. Subtract (f) from (c). \_\_\_\_\_ dB

54. This step applies only to spectrum analyzers with serial number prefixes 3632A and later. Record the dc coupled frequency response results over the 100 MHz to 2.9 GHz range:

- a. Enter the most positive number from [Table 10-50](#), column 2, for center frequencies between 100 MHz and 2.9 GHz. \_\_\_\_\_ dB
- b. Enter the most negative number from [Table 10-50](#), column 2, for center frequencies between 100 MHz and 2.9 GHz. \_\_\_\_\_ dB
- c. Subtract (b) from (a). \_\_\_\_\_ dB

**Table 10-50**

**DC Coupled Frequency Response ( $\geq 50$  MHz)**

<b>Column 1 Frequency (MHz)</b>	<b>Column 2 Agilent 8902A Reading (dB)</b>	<b>Column 3 Cal Factor Frequency (GHz)</b>	<b>Column 4 Measurement Uncertainty (dB)</b>
50		0.050	+0.32/-0.34
100		0.050	+0.32/-0.34
200		0.30	+0.32/-0.34
300		0.30	+0.32/-0.34
400		0.30	+0.32/-0.34
500		0.30	+0.32/-0.34
600		0.30	+0.32/-0.34
700		1.0	+0.32/-0.34
800		1.0	+0.32/-0.34
900		1.0	+0.32/-0.34
1000		1.0	+0.32/-0.34
1100		1.0	+0.32/-0.34
1200		1.0	+0.32/-0.34
1300		1.0	+0.32/-0.34
1400		1.0	+0.32/-0.34
1500		2.0	+0.32/-0.34
1600		2.0	+0.32/-0.34
1700		2.0	+0.32/-0.34
1800		2.0	+0.32/-0.34
1900		2.0	+0.32/-0.34
2000		2.0	+0.32/-0.34
2100		2.0	+0.32/-0.34
2200		2.0	+0.32/-0.34
2300		2.0	+0.32/-0.34
2400		2.0	+0.32/-0.34
2500		3.0	+0.32/-0.34
2600		3.0	+0.32/-0.34
2700		3.0	+0.32/-0.34
2800		3.0	+0.32/-0.34
2900		3.0	+0.32/-0.34

**Table 10-51 AC Coupled Frequency Response ( $\geq 50$  MHz)**

<b>Column 1 Frequency (MHz)</b>	<b>Column 2 Agilent 8902A Reading (dB)</b>	<b>Column 3 Cal Factor Frequency (GHz)</b>	<b>Column 4 Measurement Uncertainty (dB)</b>
50		0.050	+0.32/-0.34
100		0.050	+0.32/-0.34
200		0.30	+0.32/-0.34
300		0.30	+0.32/-0.34
400		0.30	+0.32/-0.34
500		0.30	+0.32/-0.34
600		0.30	+0.32/-0.34
700		1.0	+0.32/-0.34
800		1.0	+0.32/-0.34
900		1.0	+0.32/-0.34
1000		1.0	+0.32/-0.34
1100		1.0	+0.32/-0.34
1200		1.0	+0.32/-0.34
1300		1.0	+0.32/-0.34
1400		1.0	+0.32/-0.34
1500		2.0	+0.32/-0.34
1600		2.0	+0.32/-0.34
1700		2.0	+0.32/-0.34
1800		2.0	+0.32/-0.34
1900		2.0	+0.32/-0.34
2000		2.0	+0.32/-0.34
2100		2.0	+0.32/-0.34
2200		2.0	+0.32/-0.34
2300		2.0	+0.32/-0.34
2400		2.0	+0.32/-0.34
2500		3.0	+0.32/-0.34
2600		3.0	+0.32/-0.34
2700		3.0	+0.32/-0.34
2800		3.0	+0.32/-0.34
2900		3.0	+0.32/-0.34

**Table 10-52**

**DC Coupled Frequency Response (<50 MHz)**

<b>Column 1 Frequency</b>	<b>Column 2 Agilent 3335A AMPLITUDE (dBm)</b>	<b>Column 3 Response Relative to 50 MHz</b>	<b>Column 4 Response Relative to 300 MHz</b>	<b>Column 5 Measurement Uncertainty (dB)</b>
50 MHz		0 (Ref)		+0.27/-0.28
20 MHz				+0.27/-0.28
10 MHz				+0.27/-0.28
1 MHz				+0.27/-0.28
100 kHz				+0.27/-0.28
10 kHz				+0.27/-0.28
1 kHz				+0.27/-0.28
500 Hz				+0.27/-0.28
200 Hz				+0.27/-0.28

**Table 10-53**

**AC Coupled Frequency Response (<50 MHz)**

<b>Column 1 Frequency</b>	<b>Column 2 Agilent 3335A AMPLITUDE (dBm)</b>	<b>Column 3 Response Relative to 50 MHz</b>	<b>Column 4 Response Relative to 300 MHz</b>	<b>Column 5 Measurement Uncertainty (dB)</b>
50 MHz		0 (Ref)		+0.27/-0.28
20 MHz				+0.27/-0.28
10 MHz				+0.27/-0.28
5 MHz				+0.27/-0.28
1 MHz				+0.27/-0.28
500 kHz				+0.27/-0.28
100 kHz				+0.27/-0.28

## 37. Frequency Response: Agilent 8561E/EC

### Instrument Under Test

Agilent 8561E/EC

### Related Specification

Relative Frequency Response  
Absolute Frequency Response  
Band Switching Uncertainty

### Related Adjustment

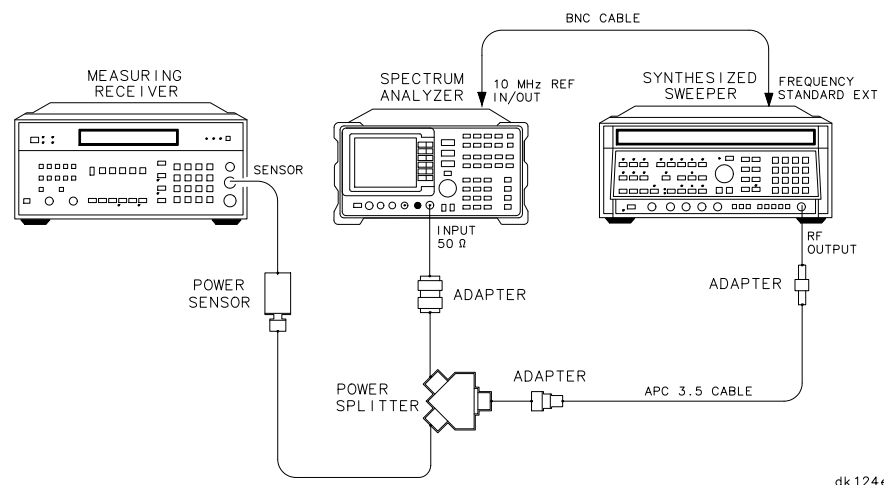
Frequency Response Adjustment  
LO Distribution Amplifier Adjustment

### Description

The output of a synthesized sweeper is fed through a power splitter to a power sensor, then to the spectrum analyzer. The synthesized sweeper power level is adjusted at 300 MHz to place the displayed signal at the spectrum analyzer center horizontal graticule line. The measuring receiver, used as a power meter, is placed in ratio mode. At each new synthesized sweeper frequency and spectrum analyzer center frequency, the sweeper power level is adjusted to place the signal at the center horizontal graticule line. The measuring receiver displays the inverse of the frequency response relative to the calibrator.

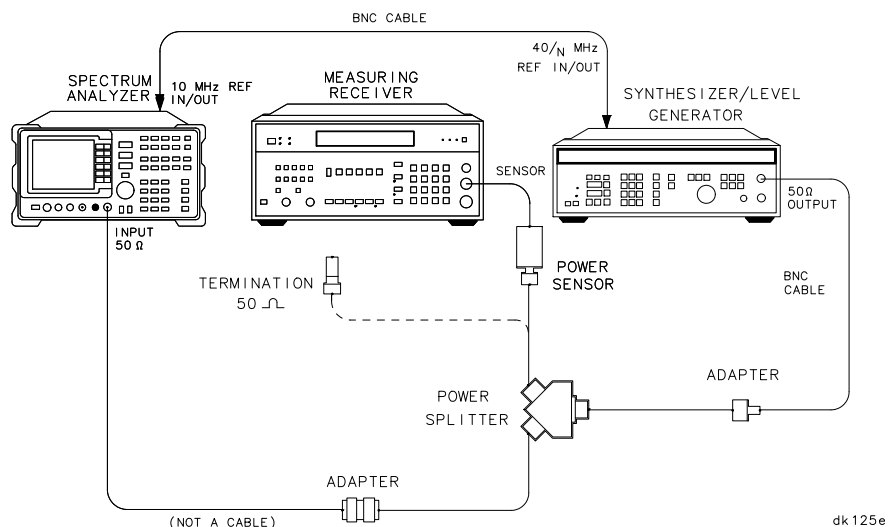
Figure 10-42

Frequency Response Test Setup, 50 MHz to 6.5 GHz



**Figure 10-43**

**Frequency Response Test Setup, <50 MHz**



**Equipment**

Measuring receiver . . . . .	Agilent 8902A
Synthesized sweeper . . . . .	Agilent 8340A/B
Synthesizer/level generator . . . . .	Agilent 3335A
Power sensor . . . . .	Agilent 8481A
Power splitter . . . . .	Agilent 11667A
Coaxial 50 Ω termination . . . . .	Agilent 908A

**Adapters**

APC 3.5 (f) to APC 3.5 (f) . . . . .	5061-5311
Type N (m) to type N (m) . . . . .	1250-1475
Type N (m) to BNC (f) . . . . .	1250-1476
Type N (f) to APC 3.5 (f) . . . . .	1250-1744

**Cables**

BNC, 122 cm (48 in.) (2 required) . . . . .	Agilent 10503A
APC 3.5, 91 cm (36 in.) . . . . .	8120-4921

## Procedure

1. Zero and calibrate the Agilent 8902A and the Agilent 8481A in log mode, as described in the Agilent 8902A Operation Manual. Enter the power sensor 300 MHz calibration factor into the Agilent 8902A.
2. Connect the equipment as shown in [Figure 10-42](#).
3. On the Agilent 8340A/B, press **INSTR PRESET**. Set the controls as follows:
  - CW frequency . . . . . 300 MHz
  - Frequency step . . . . . 100 MHz
  - Power level . . . . . –4 dBm
  - Frequency standard switch (rear panel) . . . . . EXT
4. On the spectrum analyzer, press **PRESET**. Set the controls as follows:
  - Center frequency . . . . . 300 MHz
  - Center frequency step . . . . . 100 MHz
  - Span . . . . . 0 Hz
  - Reference level . . . . . –5 dBm
  - dB/division . . . . . 1 dB
  - Resolution BW . . . . . 300 kHz
5. On the spectrum analyzer, press **MKR**.
6. On the Agilent 8340A/B, adjust the power level for a MKR amplitude of –10 dBm  $\pm$ 0.05 dB.
7. Press **RATIO** on the Agilent 8902A.

### DC Coupled Frequency Response, Band 0 ( $\geq$ 50 MHz)

8. On the spectrum analyzer, press **AMPLITUDE, MORE 1 OF 3, COUPLING DC**.
9. Set the Agilent 8340A/B CW to 50 MHz.
10. On the spectrum analyzer, press **FREQUENCY, CENTER FREQ, 50, MHz**.
11. On the Agilent 8340A/B, adjust the power level for a spectrum analyzer MKR amplitude reading of –10 dBm  $\pm$ 0.05 dB.
12. Record the negative of the power ratio displayed on the Agilent 8902A in [Table 10-54](#), column 2. Record the power ratio here:

Agilent 8902A reading at 50 MHz (dc coupled): \_\_\_\_\_ dB

13. Set the Agilent 8340A/B CW to 150 MHz.

**37. Frequency Response: Agilent 8561E/EC**

14. On the spectrum analyzer, press **FREQUENCY, CENTER FREQ, 150, MHz**.
15. On the Agilent 8340A/B, adjust the power level for a spectrum analyzer MKR amplitude reading of  $-10 \text{ dBm} \pm 0.05 \text{ dB}$ .
16. Record the negative of the power ratio displayed on the Agilent 8902A, in [Table 10-54](#), column 2.
17. On the Agilent 8340A/B, press **CW, ↑**.
18. On the spectrum analyzer, press **FREQUENCY ↓** to step through the remaining frequencies listed in [Table 10-54](#). At each new frequency, repeat steps 15 through 17, entering the power sensor calibration factors into the Agilent 8902A as indicated in [Table 10-54](#).

---

**NOTE**

It will be necessary to enter the last synthesizer sweeper and spectrum analyzer frequency, 2.9 GHz, manually; the step functions will set the frequency to 2.95 GHz.

---

**DC Coupled Frequency Response, Band 1**

19. If the instrument has warmed up for 30 minutes or more and is in a 20 to 30 °C environment, Preselector Auto Peak is **not** necessary.
20. On the spectrum analyzer, press **FREQUENCY, 2.95, GHz**.
21. Set the Agilent 8340A/B CW to 2.95 GHz.
22. On the spectrum analyzer, press **AUX CTRL, INTERNAL MIXER, PRESEL AUTO PK**. Wait for the **PEAKING** message to disappear.
23. On the Agilent 8340A/B adjust the power level for a spectrum analyzer MKR amplitude reading of  $-10 \text{ dBm} \pm 0.05 \text{ dB}$ .
24. Record the negative of the power ratio displayed on the Agilent 8902A in [Table 10-55](#), column 2.
25. Press **CW, ↑** on the Agilent 8340A/B.
26. On the spectrum analyzer, press **FREQUENCY, ↑** to step through the remaining frequencies listed in [Table 10-55](#). At each new frequency, repeat steps 21 through 24, entering the power sensor calibration factors into the Agilent 8902A as indicated in [Table 10-55](#).

---

**NOTE**

It will be necessary to enter the last synthesizer sweeper and spectrum analyzer frequency, 6.5 GHz, manually; the step functions will set the frequency to 6.55 GHz.

---

**AC Coupled Frequency Response, Band 0 ( $\check{S} \geq 50 \text{ MHz}$ )**

27. Enter the power sensor 50 MHz calibration factor into the Agilent 8902A.



28. On the spectrum analyzer, press **AMPLITUDE, MORE 1 OF 3, COUPLING AC**.
29. Set the Agilent 8340A/B CW to 50 MHz.
30. On the spectrum analyzer, press **FREQUENCY, CENTER FREQ, 50, MHz**.
31. On the Agilent 8340A/B, adjust the power level for a spectrum analyzer MKR amplitude reading of  $-10 \text{ dBm} \pm 0.05 \text{ dB}$ .
32. Record the negative of the power ratio displayed on the Agilent 8902A, in [Table 10-56](#), column 2. Record the power ratio below:  
  
Agilent 8902A reading at 50 MHz (ac coupled): \_\_\_\_\_ dB
33. Set the Agilent 8340A/B CW to 150 MHz.
34. On the spectrum analyzer, press **FREQUENCY, CENTER FREQ, 150, MHz**.
35. On the Agilent 8340A/B, adjust the power level for a spectrum analyzer MKR amplitude reading of  $-10 \text{ dBm} \pm 0.05 \text{ dB}$ .
36. Record the negative of the power ratio displayed on the Agilent 8902A, in [Table 10-56](#), column 2.
37. On the Agilent 8340A/B, press **CW, ↑**.
38. On the spectrum analyzer, press **FREQUENCY, ↑** to step through the remaining frequencies listed in [Table 10-56](#). At each new frequency, repeat steps 34 through 36, entering the power sensor calibration factors into the Agilent 8902A as indicated in [Table 10-56](#).

---

**NOTE**

It is necessary to enter the last synthesized sweeper and spectrum analyzer frequency, (2.9 GHz) manually. The step functions will set the frequency to 2.95 GHz.

---

### **AC Coupled Frequency Response, Band 1**

39. If the instrument has warmed up for 30 minutes or more and is in a 20 to 30 °C environment, Preselector Auto Peak is **not** necessary.
40. On the spectrum analyzer, press **FREQUENCY, 2.95, GHz**.
41. Set the Agilent 8340A/B CW to 2.95 GHz.
42. On the spectrum analyzer, press **AUX CTRL, INTERNAL MIXER, PRESEL AUTO PK**. Wait for the **PEAKING** message to disappear.
43. On the Agilent 8340A/B adjust the power level for a spectrum analyzer MKR amplitude reading of  $-10 \text{ dBm} \pm 0.05 \text{ dB}$ .
44. Record the negative of the power ratio displayed on the Agilent 8902A in [Table 10-57](#), column 2.

**37. Frequency Response: Agilent 8561E/EC**

45. Press **CW**  $\uparrow$  on the Agilent 8340A/B.
46. On the spectrum analyzer, press **FREQUENCY**,  $\uparrow$  to step through the remaining frequencies listed in [Table 10-57](#). At each new frequency, repeat steps 40 through 43, entering the power sensor calibration factors into the Agilent 8902A as indicated in [Table 10-57](#).

---

**NOTE**

It will be necessary to enter the last synthesizer sweeper and spectrum analyzer frequency, 6.5 GHz, manually; the step functions will set the frequency to 6.55 GHz.

---

**DC Coupled Frequency Response (<50 MHz)**

47. Connect the equipment as shown in [Figure 10-43](#) with the power sensor still connected to the power splitter.
48. On the spectrum analyzer, press **AMPLITUDE, MORE 1 OF 3, COUPLING DC**. Set the controls as follows:

Center frequency . . . . . 50 MHz  
 Span . . . . . 100 Hz  
 Resolution BW . . . . . 10 Hz  
 Marker. . . . . off  
 Video BW . . . . . 1 Hz

49. On the Agilent 3335A, set the controls as follows:

Frequency . . . . . 50 MHz  
 Amplitude . . . . . -4 dBm  
 Amplitude increment . . . . . 0.01 dB

50. Enter the power sensor 50 MHz calibration factor into the Agilent 8902A.
51. Adjust the Agilent 3335A amplitude until the Agilent 8902A display reads the same value as recorded in step 12. Record the Agilent 3335A amplitude here, and in [Table 10-58](#):

Agilent 3335A amplitude (50 MHz): \_\_\_\_\_ dBm

52. Replace the Agilent 8481A power sensor with the Agilent 908A 50  $\Omega$  termination and adapter.
53. On the spectrum analyzer, press **PEAK SEARCH, MARKER DELTA**.
54. Set the spectrum analyzer center frequency and the Agilent 3335A frequency to the frequencies listed in [Table 10-58](#). At each frequency press **PEAK SEARCH** on the spectrum analyzer and adjust the Agilent 3335A amplitude for a  $\Delta$  MKR amplitude reading of  $0.00 \pm 0.05$  dB. Record the Agilent 3335A amplitude

setting in Table 10-58, column 2, as the Agilent 3335A amplitude.

55. For each of the frequencies listed in Table 10-58, subtract the Agilent 3335A amplitude reading (column 2) from the Agilent 3335A amplitude (50 MHz) recorded in step 49. Record the results as the response relative to 50 MHz in Table 10-58, column 3.
56. Add to each of the response relative to 50 MHz entries in Table 10-58 the Agilent 8902A reading for 50 MHz listed in Table 10-54. Use the value from Table 10-58 for the ac coupled frequency. Record the results as the response relative to 300 MHz, in Table 10-58, column 4.

#### AC Coupled Frequency Response (<50 MHz)

57. On the spectrum analyzer, press **AMPLITUDE, MORE 1 OF 3, COUPLING AC**.

58. Set the controls as follows:

Center frequency . . . . . 50 MHz  
Span . . . . . 100 Hz  
Resolution BW . . . . . 10 Hz  
Marker . . . . . off  
Video BW . . . . . 1 Hz

59. On the Agilent 3335A, set the controls as follows:

Frequency . . . . . 50 MHz  
Amplitude . . . . . -4 dBm  
Amplitude increment . . . . . 0.01 dB

60. Enter the power sensor 50 MHz calibration factor into the Agilent 8902A. Replace the 50 Ω termination with the power sensor.

61. Adjust the Agilent 3335A amplitude until the Agilent 8902A display reads the same value as recorded in step 31. Record the Agilent 3335A amplitude here and in Table 10-59:

Agilent 3335A amplitude (50 MHz): \_\_\_\_\_ dB

62. Replace the Agilent 8481A power sensor with the Agilent 908A 50 Ω termination and adapter.

63. On the spectrum analyzer, press **PEAK SEARCH, MARKER DELTA**.

64. Set the spectrum analyzer center frequency and the Agilent 3335A frequency to the values listed in Table 10-59. At each frequency, press **PEAK SEARCH** on the spectrum analyzer, and adjust the Agilent 3335A amplitude for a Δ MKR amplitude reading of 0.00 ±0.05 dB. Record the Agilent 3335A amplitude

**37. Frequency Response: Agilent 8561E/EC**

setting in [Table 10-59](#), column 2, as the Agilent 3335A Amplitude.

65. For each of the frequencies listed in [Table 10-59](#), subtract the Agilent 3335A Amplitude Reading (column 2) from the Agilent 3335A Amplitude (50 MHz) recorded in step 59. Record the results as the response relative to 50 MHz in [Table 10-59](#), column 3.
66. Add to each of the response relative to 50 MHz entries in [Table 10-59](#) the Agilent 8902A reading for 50 MHz listed in [Table 10-56](#). Record the results as the response relative to 300 MHz, in [Table 10-59](#), column 4.
67. Press **PRESET** on the spectrum analyzer.

**Test Results**

68. Enter the results of the dc coupled frequency response, Band 0, below:

- a. Enter the most positive number from [Table 10-58](#), column 4. \_\_\_\_\_ dB
- b. Enter the most positive number from [Table 10-54](#), column 2. \_\_\_\_\_ dB
- c. Of (a) and (b), enter whichever number is *more* positive. \_\_\_\_\_ dB
- d. Enter the most negative number from [Table 10-58](#), column 4. \_\_\_\_\_ dB
- e. Enter the most negative number from [Table 10-54](#), column 2. \_\_\_\_\_ dB
- f. Of (c) and (d), enter whichever number is *more* negative. \_\_\_\_\_ dB
- g. Subtract (f) from (c). \_\_\_\_\_ dB

69. Enter the results of the dc coupled frequency response, Band 1, below:

- a. Enter the most positive number from [Table 10-55](#), column 2. \_\_\_\_\_ dB
- b. Enter the most negative number from [Table 10-55](#), column 2. \_\_\_\_\_ dB
- c. Subtract (b) from (a). \_\_\_\_\_ dB

70. Enter the results of the ac coupled frequency response, Band 0, below:

- a. Enter the most positive number from [Table 10-59](#), column 4. \_\_\_\_\_ dB
- b. Enter the most positive number from [Table 10-56](#), column 2. \_\_\_\_\_ dB
- c. Of (a) and (b), enter whichever number is *more* positive. \_\_\_\_\_ dB

- d. Enter the most negative number from Table 10-59, column 4. \_\_\_\_\_ dB
- e. Enter the most negative number from Table 10-56, column 2. \_\_\_\_\_ dB
- f. Of (d) and (e), enter whichever number is *more* negative. \_\_\_\_\_ dB
- g. Subtract (f) from (c). \_\_\_\_\_ dB
71. Enter the results of the ac coupled frequency response, Band 1, below:
- a. Enter the most positive number from Table 10-57, column 2. \_\_\_\_\_ dB
- b. Enter the most positive number from Table 10-57, column 2. \_\_\_\_\_ dB
- c. Enter the most negative number from Table 10-57, column 2. \_\_\_\_\_ dB
- d. Subtract (b) from (a). \_\_\_\_\_ dB

### Band Switching Uncertainty

72. Band 0 to Band 1 results (dc coupled):
- a. Enter the value recorded in step 66 (c): \_\_\_\_\_ dB
- b. Enter the value recorded in step 67 (b): \_\_\_\_\_ dB
- c. Compute the absolute value of the difference between these two entries.  
dB
73. Band 1 to Band 0 results (dc coupled):
- a. Enter the value recorded in step 66 (f): \_\_\_\_\_ dB
- b. Enter the value recorded in step 67 (a): \_\_\_\_\_ dB
- c. Compute the absolute value of the difference between these two entries in dB.
74. Band 0 to Band 1 results (ac coupled):
- a. Enter the value recorded in step 68 (c): \_\_\_\_\_ dB
- b. Enter the value recorded in step 69 (b): \_\_\_\_\_ dB
- c. Compute the absolute value of the difference between these two entries in dB.
75. Band 1 to Band 0 results (ac coupled):
- a. Enter the value recorded in step 68 (f): \_\_\_\_\_ dB

**37. Frequency Response: Agilent 8561E/EC**

- b. Enter the value recorded in step 69 (a): \_\_\_\_\_ dB
- c. Compute the absolute value of the difference between these two entries in dB.

**Table 10-54**

**DC Coupled Frequency Response (50 MHz to 2.9 GHz)**

<b>Column 1 Frequency (MHz)</b>	<b>Column 2 Agilent 8902A Reading (dB)</b>	<b>Column 3 Cal Factor Frequency (GHz)</b>	<b>Column 4 Measurement Uncertainty (dB)</b>
50		0.050	+0.32/-0.34
150		0.10	+0.32/-0.34
250		0.30	+0.32/-0.34
350		0.30	+0.32/-0.34
450		0.30	+0.32/-0.34
550		0.30	+0.32/-0.34
650		0.30	+0.32/-0.34
750		1.0	+0.32/-0.34
850		1.0	+0.32/-0.34
950		1.0	+0.32/-0.34
1050		1.0	+0.32/-0.34
1150		1.0	+0.32/-0.34
1250		1.0	+0.32/-0.34
1350		1.0	+0.32/-0.34
1450		1.0	+0.32/-0.34
1550		2.0	+0.32/-0.34
1650		2.0	+0.32/-0.34
1750		2.0	+0.32/-0.34
1850		2.0	+0.32/-0.34
1950		2.0	+0.32/-0.34
2050		2.0	+0.32/-0.34
2150		2.0	+0.32/-0.34
2250		2.0	+0.32/-0.34
2350		2.0	+0.32/-0.34
2450		2.0	+0.32/-0.34
2550		3.0	+0.32/-0.34
2650		3.0	+0.32/-0.34
2750		3.0	+0.32/-0.34
2850		3.0	+0.32/-0.34
2900		3.0	+0.32/-0.34

Table 10-55

## DC Coupled Frequency Response (2.9 GHz to 6.5 GHz)

Column 1 Frequency (GHz)	Column 2 Agilent 8902A Reading (dB)	Column 3 Cal Factor Frequency (GHz)	Column 4 Measurement Uncertainty (dB)
2.95		3.0	+0.44/-0.49
3.05		3.0	+0.44/-0.49
3.15		3.0	+0.44/-0.49
3.25		3.0	+0.44/-0.49
3.35		3.0	+0.44/-0.49
3.45		3.0	+0.44/-0.49
3.55		4.0	+0.44/-0.49
3.65		4.0	+0.44/-0.49
3.75		4.0	+0.44/-0.49
3.85		4.0	+0.44/-0.49
3.95		4.0	+0.44/-0.49
4.05		4.0	+0.44/-0.49
4.15		4.0	+0.44/-0.49
4.25		4.0	+0.44/-0.49
4.35		4.0	+0.44/-0.49
4.45		4.0	+0.44/-0.49
4.55		5.0	+0.44/-0.49
4.65		5.0	+0.44/-0.49
4.75		5.0	+0.44/-0.49
4.85		5.0	+0.44/-0.49
4.95		5.0	+0.44/-0.49
5.05		5.0	+0.44/-0.49
5.15		5.0	+0.44/-0.49
5.25		5.0	+0.44/-0.49
5.35		5.0	+0.44/-0.49
5.45		5.0	+0.44/-0.49
5.55		6.0	+0.44/-0.49
5.65		6.0	+0.44/-0.49
5.75		6.0	+0.44/-0.49
5.85		6.0	+0.44/-0.49
5.95		6.0	+0.44/-0.49
6.05		6.0	+0.44/-0.49
6.15		6.0	+0.44/-0.49
6.25		6.0	+0.44/-0.49
6.35		6.0	+0.44/-0.49
6.45		6.0	+0.44/-0.49
6.50		6.0	+0.44/-0.49



**Table 10-56 AC Coupled Frequency Response (50 MHz to 2.9 GHz)**

<b>Column 1 Frequency (MHz)</b>	<b>Column 2 Agilent 8902A Reading (dB)</b>	<b>Column 3 Cal Factor Frequency (GHz)</b>	<b>Column 4 Measurement Uncertainty (dB)</b>
50		0.050	+0.32/-0.34
150		0.10	+0.32/-0.34
250		0.30	+0.32/-0.34
350		0.30	+0.32/-0.34
450		0.30	+0.32/-0.34
550		0.30	+0.32/-0.34
650		0.30	+0.32/-0.34
750		1.0	+0.32/-0.34
850		1.0	+0.32/-0.34
950		1.0	+0.32/-0.34
1050		1.0	+0.32/-0.34
1150		1.0	+0.32/-0.34
1250		1.0	+0.32/-0.34
1350		1.0	+0.32/-0.34
1450		1.0	+0.32/-0.34
1550		2.0	+0.32/-0.34
1650		2.0	+0.32/-0.34
1750		2.0	+0.32/-0.34
1850		2.0	+0.32/-0.34
1950		2.0	+0.32/-0.34
2050		2.0	+0.32/-0.34
2150		2.0	+0.32/-0.34
2250		2.0	+0.32/-0.34
2350		2.0	+0.32/-0.34
2450		2.0	+0.32/-0.34
2550		3.0	+0.32/-0.34
2650		3.0	+0.32/-0.34
2750		3.0	+0.32/-0.34
2850		3.0	+0.32/-0.34
2900		3.0	+0.32/-0.34

Table 10-57

## AC Coupled Frequency Response (2.9 GHz to 6.5 GHz)

Column 1 Frequency (GHz)	Column 2 Agilent 8902A Reading (dB)	Column 3 Cal Factor Frequency (GHz)	Column 4 Measurement Uncertainty (dB)
2.95		3.0	+0.44/-0.49
3.05		3.0	+0.44/-0.49
3.15		3.0	+0.44/-0.49
3.25		3.0	+0.44/-0.49
3.35		3.0	+0.44/-0.49
3.45		3.0	+0.44/-0.49
3.55		4.0	+0.44/-0.49
3.65		4.0	+0.44/-0.49
3.75		4.0	+0.44/-0.49
3.85		4.0	+0.44/-0.49
3.95		4.0	+0.44/-0.49
4.05		4.0	+0.44/-0.49
4.15		4.0	+0.44/-0.49
4.25		4.0	+0.44/-0.49
4.35		4.0	+0.44/-0.49
4.45		4.0	+0.44/-0.49
4.55		4.0	+0.44/-0.49
4.65		5.0	+0.44/-0.49
4.75		5.0	+0.44/-0.49
4.85		5.0	+0.44/-0.49
4.95		5.0	+0.44/-0.49
5.05		5.0	+0.44/-0.49
5.15		5.0	+0.44/-0.49
5.25		5.0	+0.44/-0.49
5.35		5.0	+0.44/-0.49
5.45		5.0	+0.44/-0.49
5.55		6.0	+0.44/-0.49
5.65		6.0	+0.44/-0.49
5.75		6.0	+0.44/-0.49
5.85		6.0	+0.44/-0.49
5.95		6.0	+0.44/-0.49
6.05		6.0	+0.44/-0.49
6.15		6.0	+0.44/-0.49
6.25		6.0	+0.44/-0.49
6.35		6.0	+0.44/-0.49
6.45		6.0	+0.44/-0.49
6.50		6.0	+0.44/-0.49

**Table 10-58 DC Coupled Frequency Response (<50 MHz)**

Column 1 Frequency	Column 2 Agilent 3335A Amplitude (dBm)	Column 3 Response Relative to 50 MHz	Column 4 Response Relative to 300 MHz	Column 5 Measurement Uncertainty (dB)
50 MHz		0 (Ref.)		+0.27/-0.28
20 MHz				+0.27/-0.28
10 MHz				+0.27/-0.28
1 MHz				+0.27/-0.28
100 kHz				+0.27/-0.28
10 kHz				+0.27/-0.28
1 kHz				+0.27/-0.28
500 Hz				+0.27/-0.28
200 Hz				+0.27/-0.28

**Table 10-59 AC Coupled Frequency Response (<50 MHz)**

Column 1 Frequency	Column 2 Agilent 3335A Amplitude (dBm)	Column 3 Response Relative to 50 MHz	Column 4 Response Relative to 300 MHz	Column 5 Measurement Uncertainty (dB)
50 MHz		0 (Ref.)		+0.27/-0.28
20 MHz				+0.27/-0.28
10 MHz				+0.27/-0.28
5 MHz				+0.27/-0.28
1 MHz				+0.27/-0.28
500 kHz				+0.27/-0.28
100 kHz				+0.27/-0.28

## 38. Frequency Response: Agilent 8562E/EC

### Instrument Under Test

Agilent 8562E/EC

### Related Specification

Relative Frequency Response  
Absolute Frequency Response  
Band Switching Uncertainty

### Related Adjustment

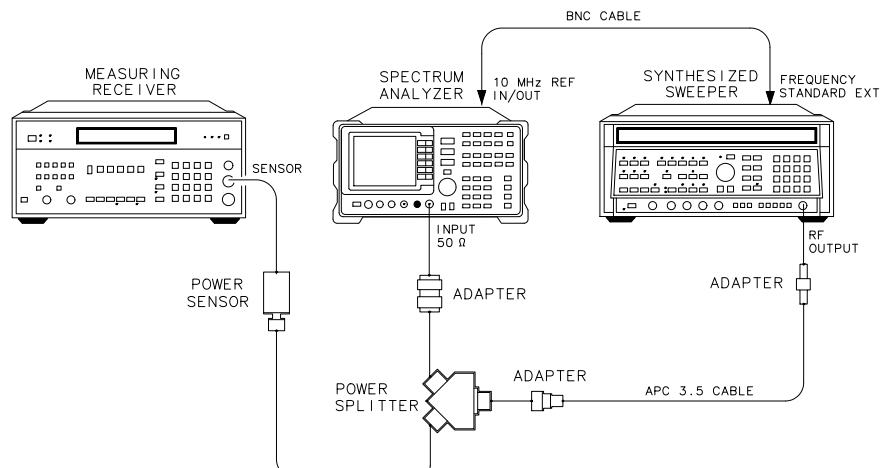
Frequency Response Adjustment  
LO Distribution Amplifier Adjustment

### Description

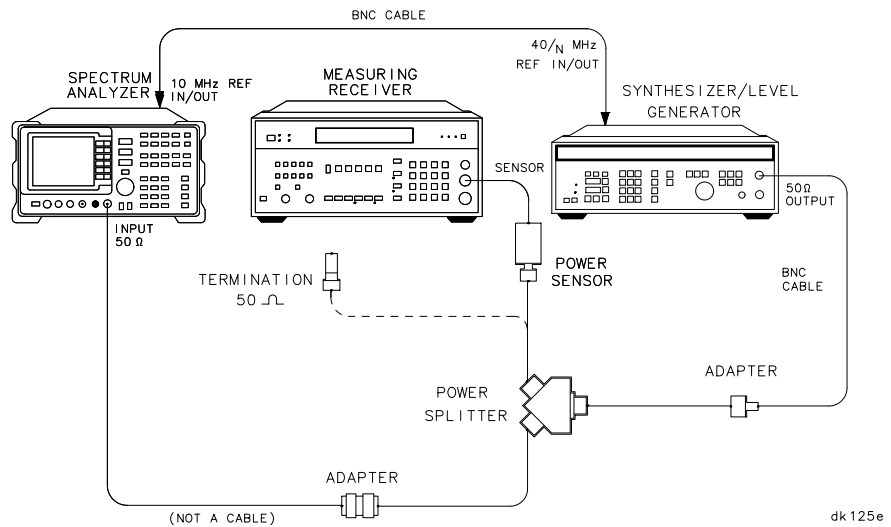
The output of a synthesized sweeper is fed through a power splitter to a power sensor, then to the spectrum analyzer. The synthesized sweeper power level is adjusted at 300 MHz to place the displayed signal at the spectrum analyzer center horizontal graticule line. The measuring receiver, used as a power meter, is placed in ratio mode. At each new synthesized sweeper frequency and spectrum analyzer center frequency, the sweeper power level is adjusted to place the signal at the center horizontal graticule line. The measuring receiver displays the inverse of the frequency response relative to the calibrator.

Figure 10-44

Frequency Response Test Setup, 50 MHz to 6.5 GHz



**Figure 10-45** Frequency Response Test Setup, <50 MHz



### Equipment

Measuring receiver . . . . .	Agilent 8902A
Synthesized sweeper . . . . .	Agilent 8340A/B
Synthesizer/level generator . . . . .	Agilent 3335A
Power sensor . . . . .	Agilent 8481A
Power splitter . . . . .	Agilent 11667A/B
Coaxial 50 Ω termination . . . . .	Agilent 908A

### Adapters

APC 3.5 (f) to APC 3.5 (f) . . . . .	5061-5311
Type N (m) to type N (m) . . . . .	1250-1475
Type N (m) to BNC (f) . . . . .	1250-1476
Type N (f) to APC 3.5 (f) . . . . .	1250-1744

### Cables

BNC, 122 cm (48 in.) (2 required) . . . . .	Agilent 10503A
---	----------------

### Procedure

1. Zero and calibrate the Agilent 8902A and the Agilent 8481A in log mode, as described in the Agilent 8902A Operation Manual. Enter the power sensor 300 MHz calibration factor into the Agilent 8902A.

**38. Frequency Response: Agilent 8562E/EC**

2. Connect the equipment as shown in [Figure 10-44](#).
3. On the Agilent 8340A/B, press **INSTR PRESET**. Set the controls as follows:
  - CW frequency . . . . . 300 MHz
  - Frequency step . . . . . 100 MHz
  - Power level . . . . . –4 dBm
  - Frequency standard switch (rear panel) . . . . . .EXT
4. On the spectrum analyzer, press **PRESET**. Set the controls as follows:
  - Center frequency . . . . . 300 MHz
  - Center frequency step . . . . . 100 MHz
  - Span . . . . . 0 Hz
  - Reference level . . . . . –5 dBm
  - dB/division . . . . . 1 dB
  - Resolution BW . . . . . 300 kHz
  - Coupling . . . . . .dc
5. On the spectrum analyzer, press **MKR**.
6. On the Agilent 8340A/B, adjust the power level for a MKR amplitude of –10 dBm ±0.05 dB.
7. Press **RATIO** on the Agilent 8902A.

**DC Coupled Frequency Response, Band 0 (≥50 MHz)**

8. Set the Agilent 8340A/B CW to 50 MHz.
9. On the spectrum analyzer, press **FREQUENCY, CENTER FREQ, 50, MHz**.
10. On the Agilent 8340A/B, adjust the power level for a spectrum analyzer MKR amplitude reading of –10 dBm ±0.05 dB.
11. Record the negative of the power ratio displayed on the Agilent 8902A in [Table 10-60](#), column 2. Record the power ratio here:

Agilent 8902A reading at 50 MHz (dc coupled): \_\_\_\_\_ dB

12. Set the Agilent 8340A/B CW to 150 MHz.
13. On the spectrum analyzer, press **FREQUENCY, CENTER FREQ, 150, MHz**.
14. On the Agilent 8340A/B, adjust the power level for a spectrum analyzer MKR amplitude reading of –10 dBm ±0.05 dB.
15. Record the negative of the power ratio displayed on the Agilent 8902A, in

Table 10-60, column 2.

16. On the Agilent 8340A/B, press **CW**,  $\uparrow$ .
17. On the spectrum analyzer, press **FREQUENCY**,  $\uparrow$  to step through the remaining frequencies listed in Table 10-60. At each new frequency, repeat steps 14 through 16, entering the power sensor calibration factors into the Agilent 8902A as indicated in Table 10-60.

---

**NOTE**

It is necessary to enter the last synthesized sweeper and spectrum analyzer frequency, (2.9 GHz) manually. The step functions will set the frequency to 2.95 GHz.

---

**DC Coupled Frequency Response, Band 1**

18. If the instrument has warmed up for 30 minutes or more and is in a 20 to 30 °C environment, Preselector Auto Peak is **not** necessary.
19. On the spectrum analyzer, press **FREQUENCY**, 2.95, **GHz**.
20. Set the Agilent 8340A/B CW to 2.95 GHz.
21. On the spectrum analyzer, press **AUX CTRL**, **INTERNAL MIXER**, **PRESEL AUTO PK**. Wait for the **PEAKING** message to disappear.
22. On the Agilent 8340A/B adjust the power level for a spectrum analyzer MKR amplitude reading of  $-10 \text{ dBm} \pm 0.05 \text{ dB}$ .
23. Record the negative of the power ratio displayed on the Agilent 8902A in Table 10-61, column 2.
24. Press **CW**  $\downarrow$  on the Agilent 8340A/B.
25. On the spectrum analyzer, press **FREQUENCY**,  $\uparrow$  to step through the remaining frequencies listed in Table 10-61. At each new frequency, repeat steps 20 through 23, entering the power sensor calibration factors into the Agilent 8902A as indicated in Table 10-61.

---

**NOTE**

It will be necessary to enter the last synthesizer sweeper and spectrum analyzer frequency, 6.5 GHz, manually; the step functions will set the frequency to 6.55 GHz.

---

**DC Coupled Frequency Response, Band 2**

26. On the spectrum analyzer, press **FREQUENCY**, 6.5, **GHz**, **CF STEP**, 200, **MHz**.
27. Set the Agilent 8340A/B CW to 6.5 GHz and the **FREQ STEP** to 200 MHz.
28. Press **AUX CTRL**, **INTERNAL MIXER**, **PRESEL AUTO PEAK**. Wait for the **PEAKING!** message to disappear.

**38. Frequency Response: Agilent 8562E/EC**

29. On the Agilent 8340A/B, adjust the power level for a spectrum analyzer MKR amplitude reading of  $-10 \text{ dBm} \pm 0.05 \text{ dB}$ .
30. Record the negative of the power ratio displayed on the Agilent 8902A in [Table 10-62](#) as the Agilent 8902A reading.
31. On the Agilent 8340A/B, press **CW**,  $\uparrow$ .
32. On the spectrum analyzer, press **FREQUENCY**,  $\uparrow$  to step through the remaining frequencies listed in [Table 10-62](#). At each new frequency, repeat steps 27 through 29, entering the power sensor calibration factors indicated in [Table 10-62](#) into the Agilent 8902A.

**AC Coupled Frequency Response, Band 0 ( $\geq 50 \text{ MHz}$ )**

33. Enter the power sensor 50 MHz calibration factor into the Agilent 8902A.
34. On the spectrum analyzer, press **AMPLITUDE, MORE 1 OF 3, COUPLING AC**.
35. Set the Agilent 8340A/B to 300 MHz, CW.
36. On the spectrum analyzer, press **FREQUENCY, CENTER FREQ, 300, MHz**. Press **MKR**.
37. On the Agilent 8340A/B, adjust the power level for a MKR amplitude of  $-10 \text{ dBm} \pm 0.05 \text{ dB}$ .
38. Press **RATIO** on the Agilent 8902A.
39. Set the Agilent 8340A/B CW to 50 MHz.
40. On the spectrum analyzer, press **FREQUENCY, CENTER FREQ, 50, MHz**.
41. On the Agilent 8340A/B, adjust the power level for a spectrum analyzer MKR amplitude reading of  $-10 \text{ dBm} \pm 0.05 \text{ dB}$ .
42. Record the negative of the power ratio displayed on the Agilent 8902A, in [Table 10-63](#), column 2. Record the power ratio below:

Agilent 8902A reading at 50 MHz (ac coupled): \_\_\_\_\_ dB

43. Set the Agilent 8340A/B CW to 150 MHz.
44. On the spectrum analyzer, press **FREQUENCY, CENTER FREQ, 150, MHz**.
45. On the Agilent 8340A/B, adjust the power level for a spectrum analyzer MKR amplitude reading of  $-10 \text{ dBm} \pm 0.05 \text{ dB}$ .
46. Record the negative of the power ratio displayed on the Agilent 8902A, in [Table 10-63](#), column 2.
47. On the Agilent 8340A/B, press **CW**,  $\uparrow$ .
48. On the spectrum analyzer, press **FREQUENCY**,  $\uparrow$  to step through the remaining frequencies listed in [Table 10-63](#). At each new frequency, repeat steps 44



through 46, entering the power sensor calibration factors into the Agilent 8902A as indicated in [Table 10-63](#).

---

**NOTE** It will be necessary to enter the last synthesizer sweeper and spectrum analyzer frequency, 2.9 GHz, manually; the step functions will set the frequency to 2.95 GHz.

---

### AC Coupled Frequency Response, Band 1

49. If the instrument has warmed up for 30 minutes or more and is in a 20 to 30 °C environment, Preselector Auto Peak is **not** necessary.
50. On the spectrum analyzer, press **FREQUENCY**, 2.95, **GHz**.
51. Set the Agilent 8340A/B CW to 2.95 GHz.
52. On the spectrum analyzer, press **AUX CTRL**, **INTERNAL MIXER**, **PRESEL AUTO PK**. Wait for the **PEAKING** message to disappear.
53. On the Agilent 8340A/B adjust the power level for a spectrum analyzer MKR amplitude reading of  $-10 \text{ dBm} \pm 0.05 \text{ dB}$ .
54. Record the negative of the power ratio displayed on the Agilent 8902A in [Table 10-64](#), column 2.
55. Press **CW**,  $\uparrow$  on the Agilent 8340A/B.
56. On the spectrum analyzer, press **FREQUENCY**,  $\uparrow$  to step through the remaining frequencies listed in [Table 10-64](#). At each new frequency, repeat steps 50 through 53, entering the power sensor calibration factors into the Agilent 8902A as indicated in [Table 10-64](#).

---

**NOTE** It will be necessary to enter the last synthesizer sweeper and spectrum analyzer frequency, 6.5 GHz, manually; the step functions will set the frequency to 6.55 GHz.

---

### AC Coupled Frequency Response, Band 2

57. On the spectrum analyzer, press **FREQUENCY**, 6.5, **GHz**, **CF STEP**, 200, **MHz**.
58. Set the Agilent 8340A/B CW to 6.5 GHz and the **FREQ STEP** to 200 MHz.
59. Press **AUX CTRL**, **INTERNAL MIXER**, **PRESEL AUTO PEAK**. Wait for the **PEAKING!** message to disappear.
60. On the Agilent 8340A/B, adjust the power level for a spectrum analyzer MKR amplitude reading of  $-10 \text{ dBm} \pm 0.05 \text{ dB}$ .
61. Record the negative of the power ratio displayed on the Agilent 8902A in [Table 10-65](#) as the Agilent 8902A reading.

**38. Frequency Response: Agilent 8562E/EC**

- 62. On the Agilent 8340A/B, press **CW**,  $\uparrow$ .
- 63. On the spectrum analyzer, press **FREQUENCY**,  $\uparrow$  to step through the remaining frequencies listed in [Table 10-65](#). At each new frequency, repeat steps 57 through 60, entering the power sensor calibration factors indicated in [Table 10-65](#) into the Agilent 8902A.

**DC Coupled Frequency Response (<50 MHz)**

- 64. Connect the equipment as shown in [Figure 10-45](#) with the power sensor still connected to the power splitter.
- 65. On the spectrum analyzer, press **AMPLITUDE, MORE 1 OF 3, COUPLING DC**. Set the controls as follows:

Center frequency . . . . . 50 MHz  
 Span . . . . . 100 Hz  
 Resolution BW . . . . . 10 Hz  
 Marker. . . . . off  
 Video BW . . . . . 1 Hz

- 66. On the Agilent 3335A, set the controls as follows:

Frequency . . . . . 50 MHz  
 Amplitude . . . . . -4 dBm  
 Amplitude increment . . . . . 0.01 dB

- 67. Enter the power sensor 50 MHz calibration factor into the Agilent 8902A.
- 68. Adjust the Agilent 3335A amplitude until the Agilent 8902A display reads the same value as recorded in step 11. Record the Agilent 3335A amplitude here, and in [Table 10-66](#):

Agilent 3335A amplitude (50 MHz): \_\_\_\_\_ dBm

- 69. Replace the Agilent 8481A power sensor with the Agilent 908A 50  $\Omega$  termination and adapter.
- 70. On the spectrum analyzer, press **PEAK SEARCH, MARKER DELTA**.
- 71. Set the spectrum analyzer center frequency and the Agilent 3335A frequency to the frequencies listed in [Table 10-66](#). At each frequency press **PEAK SEARCH** on the spectrum analyzer and adjust the Agilent 3335A amplitude for a  $\Delta$  MKR amplitude reading of  $0.00 \pm 0.05$  dB. Record the Agilent 3335A amplitude setting in [Table 10-66](#), column 2, as the Agilent 3335A amplitude.
- 72. For each of the frequencies listed in [Table 10-66](#), subtract the Agilent 3335A amplitude reading (column 2) from the Agilent 3335A amplitude (50 MHz) recorded in step 66. Record the results as the response relative to 50 MHz in

Table 10-66, column 3.

73. Add to each of the response relative to 50 MHz entries in Table 10-66 the Agilent 8902A reading for 50 MHz listed in Table 10-60. Use the value from Table 10-66 for the ac coupled frequency. Record the results as the response relative to 300 MHz, in Table 10-66, column 4.

**AC Coupled Frequency Response (<50 MHz)**

74. On the spectrum analyzer, press **AMPLITUDE MORE 1 OF 3 COUPLING AC**.

75. Set the controls as follows:

Center frequency . . . . . 50 MHz  
Span . . . . . 100 Hz  
Resolution BW . . . . . 10 Hz  
Marker . . . . . off  
Video BW . . . . . 1 Hz

76. On the Agilent 3335A, set the controls as follows:

Frequency . . . . . 50 MHz  
Amplitude . . . . . -4 dBm  
Amplitude increment . . . . . 0.01 dB

77. Enter the power sensor 50 MHz calibration factor into the Agilent 8902A. Replace the 50  $\Omega$  termination with the power sensor.

78. Adjust the Agilent 3335A amplitude until the Agilent 8902A display reads the same value as recorded in step 29. Record the Agilent 3335A amplitude here and in Table 10-67:

Agilent 3335A amplitude (50 MHz): \_\_\_\_\_ dB

79. Replace the Agilent 8481A power sensor with the Agilent 908A 50  $\Omega$  termination and adapter.

80. On the spectrum analyzer, press **PEAK SEARCH, MARKER DELTA**.

81. Set the spectrum analyzer center frequency and the Agilent 3335A frequency to the values listed in Table 10-67. At each frequency, press **PEAK SEARCH** on the spectrum analyzer, and adjust the Agilent 3335A amplitude for a  $\Delta$  MKR amplitude reading of  $0.00 \pm 0.05$  dB. Record the Agilent 3335A amplitude setting in Table 10-67, column 2, as the Agilent 3335A Amplitude.

82. For each of the frequencies listed in Table 10-67, subtract the Agilent 3335A Amplitude Reading (column 2) from the Agilent 3335A Amplitude (50 MHz) recorded in step 76. Record the results as the response relative to 50 MHz in Table 10-67, column 3.

**38. Frequency Response: Agilent 8562E/EC**

83. Add to each of the response relative to 50 MHz entries in [Table 10-67](#) the Agilent 8902A reading for 50 MHz listed in [Table 10-63](#). Record the results as the response relative to 300 MHz, in [Table 10-67](#), column 4.

84. Press **PRESET** on the spectrum analyzer.

**Test Results**

85. Enter the results of the dc coupled frequency response, Band 0, below:

- a. Enter the most positive number from [Table 10-66](#), column 4. \_\_\_\_\_ dB
- b. Enter the most positive number from [Table 10-60](#), column 2. \_\_\_\_\_ dB
- c. Of (a) and (b), enter whichever number is *more* positive. \_\_\_\_\_ dB
- d. Enter the most negative number from [Table 10-66](#), column 4. \_\_\_\_\_ dB
- e. Enter the most negative number from [Table 10-60](#), column 2. \_\_\_\_\_ dB
- f. Of (c) and (d), enter whichever number is *more* negative. \_\_\_\_\_ dB
- g. Subtract (f) from (c). \_\_\_\_\_ dB

86. Enter the results of the dc coupled frequency response, Band 1, below:

- a. Enter the most positive number from [Table 10-61](#), column 2. \_\_\_\_\_ dB
- b. Enter the most negative number from [Table 10-61](#), column 2. \_\_\_\_\_ dB
- c. Subtract (b) from (a). \_\_\_\_\_ dB

87. Enter the results of the dc coupled frequency response, Band 2, below:

- a. Enter the most positive number from [Table 10-62](#), column 2. \_\_\_\_\_ dB
- b. Enter the most negative number from [Table 10-62](#), column 2. \_\_\_\_\_ dB
- c. Subtract (b) from (a). \_\_\_\_\_ dB

88. Enter the results of the ac coupled frequency response, Band 0, below:

- a. Enter the most positive number from [Table 10-67](#), column 4. \_\_\_\_\_ dB

- b. Enter the most positive number from Table 10-63, column 2. \_\_\_\_\_ dB
- c. Of (a) and (b), enter whichever number is *more* positive. \_\_\_\_\_ dB
- d. Enter the most negative number from Table 10-67, column 4. \_\_\_\_\_ dB
- e. Enter the most negative number from Table 10-63, column 2. \_\_\_\_\_ dB
- f. Of (d) and (e), enter whichever number is *more* negative. \_\_\_\_\_ dB
- g. Subtract (f) from (c). \_\_\_\_\_ dB
89. Enter the results of the ac coupled frequency response, Band 1, below:
- a. Enter the most positive number from Table 10-64, column 2. \_\_\_\_\_ dB
- b. Enter the most positive number from Table 10-64, column 2. \_\_\_\_\_ dB
- c. Enter the most negative number from Table 10-64, column 2. \_\_\_\_\_ dB
- d. Subtract (b) from (a). \_\_\_\_\_ dB

**38. Frequency Response: Agilent 8562E/EC**

90. Enter the results of the ac coupled frequency response, Band 2, below:

- a. Enter the most positive number from [Table 10-65](#), column \_\_\_\_\_ dB  
2.
- b. Enter the most negative number from [Table 10-65](#), \_\_\_\_\_ dB  
column 2.
- c. Subtract (b) from (a). \_\_\_\_\_ dB

**Frequency Response, Band 0, 100 MHz to 2.3 GHz**

91. Enter the results of the dc coupled frequency response, Band 0, for the frequency range 100 MHz to 2.3 GHz:

- a. Enter the most positive number from [Table 10-60](#), column \_\_\_\_\_ dB  
2, for center frequencies between 100 MHz and 2.3 GHz.
- b. Enter the most negative number from [Table 10-60](#), \_\_\_\_\_ dB  
column 2, for center frequencies between 100 MHz and 2.3 GHz.
- c. Subtract (b) from (a). \_\_\_\_\_ dB

**Band Switching Uncertainty DC Coupled**

92. In the top row of [Table 10-68](#), enter the values recorded in the indicated steps. For example, if step 85 (a) has a value of 1.22 dB, enter “1.22 dB” in the top row of the Band 2 column.
93. In the left column of [Table 10-68](#), enter the values recorded in the indicated steps. For example, if step 85 (b) has a value of –0.95 dB, enter “–0.95 dB” in the left column of the Band 2 row.
94. Compute the other entries in [Table 10-68](#) by taking the absolute value of the difference between the values in the left column and the top row.

**Band Switching Uncertainty AC Coupled**

95. In the top row of [Table 10-69](#), enter the values recorded in the indicated steps. For example, if step 88 (a) has a value of 1.22 dB, enter “1.22 dB” in the top row of the Band 2 column.
96. In the left column of [Table 10-69](#), enter the values recorded in the indicated steps. For example, if step 88 (b) has a value of –0.95 dB, enter “–0.95 dB” in the left column of the Band 2 row.
97. Compute the other entries in [Table 10-69](#) by taking the absolute value of the difference between the values in the left column and the top row.

**Table 10-60 DC Coupled Frequency Response, Band 0 (50 MHz to 2.9 GHz)**

Column 1 Frequency (MHz)	Column 2 Agilent 8902A Reading (dB)	Column 3 Cal Factor Frequency (GHz)	Column 4 Measurement Uncertainty (dB)
50		0.050	+0.32/-0.34
150		0.10	+0.32/-0.34
250		0.30	+0.32/-0.34
350		0.30	+0.32/-0.34
450		0.30	+0.32/-0.34
550		0.30	+0.32/-0.34
650		0.30	+0.32/-0.34
750		1.0	+0.32/-0.34
850		1.0	+0.32/-0.34
950		1.0	+0.32/-0.34
1050		1.0	+0.32/-0.34
1150		1.0	+0.32/-0.34
1250		1.0	+0.32/-0.34
1350		1.0	+0.32/-0.34
1450		1.0	+0.32/-0.34
1550		2.0	+0.32/-0.34
1650		2.0	+0.32/-0.34
1750		2.0	+0.32/-0.34
1850		2.0	+0.32/-0.34
1950		2.0	+0.32/-0.34
2050		2.0	+0.32/-0.34
2150		2.0	+0.32/-0.34
2250		2.0	+0.32/-0.34
2350		2.0	+0.32/-0.34
2450		2.0	+0.32/-0.34
2550		3.0	+0.32/-0.34
2650		3.0	+0.32/-0.34
2750		3.0	+0.32/-0.34
2850		3.0	+0.32/-0.34
2900		3.0	+0.32/-0.34

Table 10-61

## DC Coupled Frequency Response, Band 1 (2.9 GHz to 6.5 GHz)

Column 1 Frequency (GHz)	Column 2 Agilent 8902A Reading (dB)	Column 3 Cal Factor Frequency (GHz)	Column 4 Measurement Uncertainty (dB)
2.95		3.0	+0.44/-0.49
3.05		3.0	+0.44/-0.49
3.15		3.0	+0.44/-0.49
3.25		3.0	+0.44/-0.49
3.35		3.0	+0.44/-0.49
3.45		3.0	+0.44/-0.49
3.55		4.0	+0.44/-0.49
3.65		4.0	+0.44/-0.49
3.75		4.0	+0.44/-0.49
3.85		4.0	+0.44/-0.49
3.95		4.0	+0.44/-0.49
4.05		4.0	+0.44/-0.49
4.15		4.0	+0.44/-0.49
4.25		4.0	+0.44/-0.49
4.35		4.0	+0.44/-0.49
4.45		4.0	+0.44/-0.49
4.55		5.0	+0.44/-0.49
4.65		5.0	+0.44/-0.49
4.75		5.0	+0.44/-0.49
4.85		5.0	+0.44/-0.49
4.95		5.0	+0.44/-0.49
5.05		5.0	+0.44/-0.49
5.15		5.0	+0.44/-0.49
5.25		5.0	+0.44/-0.49
5.35		5.0	+0.44/-0.49
5.45		5.0	+0.44/-0.49
5.55		6.0	+0.44/-0.49
5.65		6.0	+0.44/-0.49
5.75		6.0	+0.44/-0.49
5.85		6.0	+0.44/-0.49
5.95		6.0	+0.44/-0.49
6.05		6.0	+0.44/-0.49
6.15		6.0	+0.44/-0.49
6.25		6.0	+0.44/-0.49
6.35		6.0	+0.44/-0.49
6.45		6.0	+0.44/-0.49
6.50		6.0	+0.44/-0.49



**Table 10-62 DC Coupled Frequency Response, Band 2**

<b>Column 1 Frequency (GHz)</b>	<b>Column 2 Agilent 8902A Reading (dB)</b>	<b>Column 3 Cal Factor Frequency (GHz)</b>	<b>Column 4 Measurement Uncertainty (dB)</b>
6.5		6.0	+0.45/–0.50 dB
6.7		7.0	+0.45/–0.50 dB
6.9		7.0	+0.45/–0.50 dB
7.1		7.0	+0.45/–0.50 dB
7.3		7.0	+0.45/–0.50 dB
7.5		7.0	+0.45/–0.50 dB
7.7		8.0	+0.45/–0.50 dB
7.9		8.0	+0.45/–0.50 dB
8.1		8.0	+0.45/–0.50 dB
8.3		8.0	+0.45/–0.50 dB
8.5		8.0	+0.45/–0.50 dB
8.7		9.0	+0.45/–0.50 dB
8.9		9.0	+0.45/–0.50 dB
9.1		9.0	+0.45/–0.50 dB
9.3		9.0	+0.45/–0.50 dB
9.5		9.0	+0.45/–0.50 dB
9.7		10.0	+0.45/–0.50 dB
9.9		10.0	+0.45/–0.50 dB
10.1		10.0	+0.45/–0.50 dB
10.3		10.0	+0.45/–0.50 dB
10.5		10.0	+0.45/–0.50 dB
10.7		11.0	+0.45/–0.50 dB
10.9		11.0	+0.45/–0.50 dB
11.1		11.0	+0.45/–0.50 dB
11.3		11.0	+0.45/–0.50 dB
11.5		11.0	+0.45/–0.50 dB
11.7		12.0	+0.45/–0.50 dB
11.9		12.0	+0.45/–0.50 dB
12.1		12.0	+0.45/–0.50 dB
12.3		12.0	+0.45/–0.50 dB
12.5		12.0	+0.45/–0.50 dB
12.7		13.0	+0.45/–0.50 dB
12.9		13.0	+0.45/–0.50 dB
13.1		13.0	+0.45/–0.50 dB
13.2		13.0	+0.45/–0.50 dB

Table 10-63

## AC Coupled Frequency Response, Band 0 (50 MHz to 2.9 GHz)

Column 1 Frequency (MHz)	Column 2 HP 8902A Reading (dB)	Column 3 Cal Factor Frequency (GHz)	Column 4 Measurement Uncertainty (dB)
50		0.050	+0.32/-0.34
150		0.10	+0.32/-0.34
250		0.30	+0.32/-0.34
350		0.30	+0.32/-0.34
450		0.30	+0.32/-0.34
550		0.30	+0.32/-0.34
650		0.30	+0.32/-0.34
750		1.0	+0.32/-0.34
850		1.0	+0.32/-0.34
950		1.0	+0.32/-0.34
1050		1.0	+0.32/-0.34
1150		1.0	+0.32/-0.34
1250		1.0	+0.32/-0.34
1350		1.0	+0.32/-0.34
1450		1.0	+0.32/-0.34
1550		2.0	+0.32/-0.34
1650		2.0	+0.32/-0.34
1750		2.0	+0.32/-0.34
1850		2.0	+0.32/-0.34
1950		2.0	+0.32/-0.34
2050		2.0	+0.32/-0.34
2150		2.0	+0.32/-0.34
2250		2.0	+0.32/-0.34
2350		2.0	+0.32/-0.34
2450		2.0	+0.32/-0.34
2550		3.0	+0.32/-0.34
2650		3.0	+0.32/-0.34
2750		3.0	+0.32/-0.34
2850		3.0	+0.32/-0.34
2900		3.0	+0.32/-0.34

**Table 10-64 AC Coupled Frequency Response, Band 1 (2.9 GHz to 6.5 GHz)**

Column 1 Frequency (GHz)	Column 2 HP 8902A Reading (dB)	Column 3 Cal Factor Frequency (GHz)	Column 4 Measurement Uncertainty (dB)
2.95		3.0	+0.44/-0.49
3.05		3.0	+0.44/-0.49
3.15		3.0	+0.44/-0.49
3.25		3.0	+0.44/-0.49
3.35		3.0	+0.44/-0.49
3.45		3.0	+0.44/-0.49
3.55		4.0	+0.44/-0.49
3.65		4.0	+0.44/-0.49
3.75		4.0	+0.44/-0.49
3.85		4.0	+0.44/-0.49
3.95		4.0	+0.44/-0.49
4.05		4.0	+0.44/-0.49
4.15		4.0	+0.44/-0.49
4.25		4.0	+0.44/-0.49
4.35		4.0	+0.44/-0.49
4.45		4.0	+0.44/-0.49
4.55		4.0	+0.44/-0.49
4.65		5.0	+0.44/-0.49
4.75		5.0	+0.44/-0.49
4.85		5.0	+0.44/-0.49
4.95		5.0	+0.44/-0.49
5.05		5.0	+0.44/-0.49
5.15		5.0	+0.44/-0.49
5.25		5.0	+0.44/-0.49
5.35		5.0	+0.44/-0.49
5.45		5.0	+0.44/-0.49
5.55		6.0	+0.44/-0.49
5.65		6.0	+0.44/-0.49
5.75		6.0	+0.44/-0.49
5.85		6.0	+0.44/-0.49
5.95		6.0	+0.44/-0.49
6.05		6.0	+0.44/-0.49
6.15		6.0	+0.44/-0.49
6.25		6.0	+0.44/-0.49
6.35		6.0	+0.44/-0.49
6.45		6.0	+0.44/-0.49
6.50		6.0	+0.44/-0.49

Table 10-65

## AC Coupled Frequency Response, Band 2

Column 1 Frequency (GHz)	Column 2 HP 8902A Reading (dB)	Column 3 Cal Factor Frequency (GHz)	Column 4 Measurement Uncertainty (dB)
6.5		6.0	+0.45/-0.50 dB
6.7		7.0	+0.45/-0.50 dB
6.9		7.0	+0.45/-0.50 dB
7.1		7.0	+0.45/-0.50 dB
7.3		7.0	+0.45/-0.50 dB
7.5		7.0	+0.45/-0.50 dB
7.7		8.0	+0.45/-0.50 dB
7.9		8.0	+0.45/-0.50 dB
8.1		8.0	+0.45/-0.50 dB
8.3		8.0	+0.45/-0.50 dB
8.5		8.0	+0.45/-0.50 dB
8.7		9.0	+0.45/-0.50 dB
8.9		9.0	+0.45/-0.50 dB
9.1		9.0	+0.45/-0.50 dB
9.3		9.0	+0.45/-0.50 dB
9.5		9.0	+0.45/-0.50 dB
9.7		10.0	+0.45/-0.50 dB
9.9		10.0	+0.45/-0.50 dB
10.1		10.0	+0.45/-0.50 dB
10.3		10.0	+0.45/-0.50 dB
10.5		10.0	+0.45/-0.50 dB
10.7		11.0	+0.45/-0.50 dB
10.9		11.0	+0.45/-0.50 dB
11.1		11.0	+0.45/-0.50 dB
11.3		11.0	+0.45/-0.50 dB
11.5		11.0	+0.45/-0.50 dB
11.7		12.0	+0.45/-0.50 dB
11.9		12.0	+0.45/-0.50 dB
12.1		12.0	+0.45/-0.50 dB
12.3		12.0	+0.45/-0.50 dB
12.5		12.0	+0.45/-0.50 dB
12.7		13.0	+0.45/-0.50 dB
12.9		13.0	+0.45/-0.50 dB
13.1		13.0	+0.45/-0.50 dB
13.2		13.0	+0.45/-0.50 dB

**Table 10-66 DC Coupled Frequency Response (<50 MHz), Band 0**

<b>Column 1 Frequency</b>	<b>Column 2 Agilent 3335A Amplitude (dBm)</b>	<b>Column 3 Response Relative to 50 MHz</b>	<b>Column 4 Response Relative to 300 MHz</b>	<b>Column 5 Measurement Uncertainty (dB)</b>
50 MHz		0 (Ref.)		+0.27/-0.28
20 MHz				+0.27/-0.28
10 MHz				+0.27/-0.28
1 MHz				+0.27/-0.28
100 kHz				+0.27/-0.28
10 kHz				+0.27/-0.28
1 kHz				+0.27/-0.28
500 Hz				+0.27/-0.28
200 Hz				+0.27/-0.28

**Table 10-67 AC Coupled Frequency Response (<50 MHz), Band 0**

<b>Column 1 Frequency</b>	<b>Column 2 Agilent 3335A Amplitude (dBm)</b>	<b>Column 3 Response Relative to 50 MHz</b>	<b>Column 4 Response Relative to 300 MHz</b>	<b>Column 5 Measurement Uncertainty (dB)</b>
50 MHz		0 (Ref.)		+0.27/-0.28
20 MHz				+0.27/-0.28
10 MHz				+0.27/-0.28
5 MHz				+0.27/-0.28
1 MHz				+0.27/-0.28
500 kHz				+0.27/-0.28
100 kHz				+0.27/-0.28

**Table 10-68 Band Switching Uncertainty DC Coupled**

	<b>Band 0 Step 83 (c)</b>	<b>Band 1 Step 84 (a)</b>	<b>Band 2 Step 85 (a)</b>
<b>Band 0</b> Step 83 (f)	N/A		
<b>Band 1</b> Step 84 (b)		N/A	
<b>Band 2</b> Step 85 (b)			N/A

**Table 10-69 Band Switching Uncertainty AC Coupled**

	<b>Band 0 Step 86 (c)</b>	<b>Band 1 Step 87 (a)</b>	<b>Band 2 Step 88 (a)</b>
<b>Band 0</b> Step 86 (f)	N/A		
<b>Band 1</b> Step 87 (b)		N/A	
<b>Band 2</b> Step 88 (b)			N/A

---

## 39. Frequency Response: Agilent 8563E/EC

### Instrument Under Test

Agilent 8563E/EC

### Related Specification

Relative Frequency Response  
Absolute Frequency Response  
Band Switching Uncertainty

### Related Adjustment

RYTHM Adjustment  
Frequency Response Adjustment  
LO Distribution Amplifier Adjustment

### Description

The output of the synthesized sweeper is fed through a power splitter to a power sensor, then to the spectrum analyzer. The synthesized sweeper power level is adjusted at 300 MHz to place the displayed signal at the center horizontal graticule line of the spectrum analyzer. The measuring receiver, used as a power meter, is placed in RATIO mode. At each new synthesized sweeper frequency and spectrum analyzer center frequency, the sweeper power level is adjusted to place the signal at the center horizontal graticule line. The measuring receiver displays the inverse of the frequency response relative to the calibrator.

### Equipment

Measuring receiver . . . . . Agilent 8902A  
Synthesized sweeper . . . . . Agilent 8340A/B  
Synthesizer/level generator . . . . . Agilent 3335A  
Power sensor . . . . . Agilent 8485A  
Power splitter . . . . . Agilent 11667B  
Coaxial 50  $\Omega$  termination . . . . . Agilent 909D

### Adapters

Type N (m)-to-APC 3.5 (m) (2 required) . . . . . 1250-1743  
Type N (f)-to-BNC (m) . . . . . 1250-1476

39. Frequency Response: Agilent 8563E/EC

APC 3.5 (f)-to-APC 3.5 (f)..... 5061-5311

Cables

BNC, 122 cm (48 in.)..... Agilent 10503A

APC 3.5, 91 cm (36 in.)..... 8120-4921

Figure 10-46 Frequency Response Test Setup, 50 MHz to 26.5 GHz

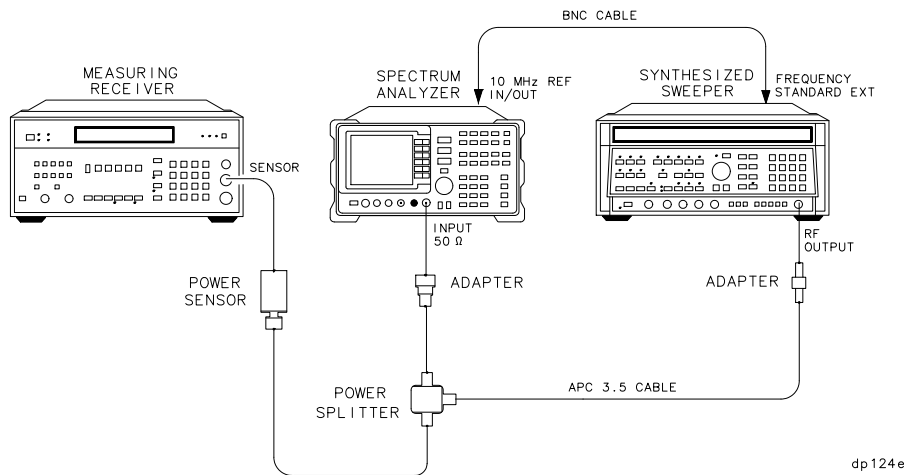
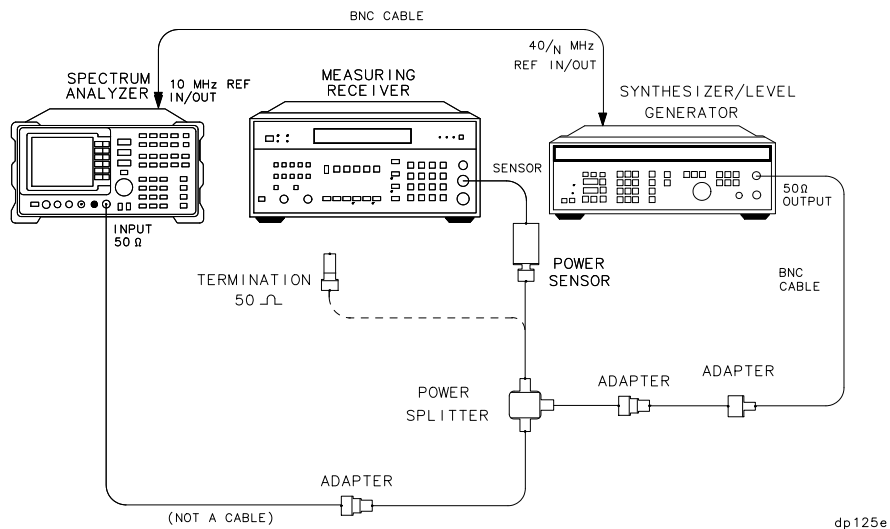


Figure 10-47 Frequency Response Test Setup, <50 MHz



Procedure

1. Zero and calibrate the Agilent 8902A and the Agilent 8485A in LOG mode, as described in the Agilent 8902A Operation Manual. Enter the power sensor 300 MHz calibration factor into the Agilent 8902A.
2. Connect the equipment as shown in Figure 10-46.



3. On the Agilent 8340A/B, press **INSTR PRESET**. Set the controls as follows:
  - CW frequency . . . . . 300 MHz
  - Frequency step . . . . . 100 MHz
  - Power level . . . . . –4 dBm
  - Frequency standard switch (rear panel). . . . . EXT
4. On the spectrum analyzer, press **PRESET**. Press **RECALL, MORE 1 OF 2, FACTORY PRSEL PK**. Set the spectrum analyzer controls as follows:
  - Center frequency . . . . . 300 MHz
  - Center frequency step . . . . . 100 MHz
  - Span . . . . . 0 Hz
  - Reference level . . . . . –5 dBm
  - dB/division . . . . . 1 dB
  - Resolution BW . . . . . 300 kHz
5. On the spectrum analyzer, press **MKR**.
6. On the Agilent 8340A/B, adjust the power level for a MKR amplitude of –10 dBm ±0.05 dB.
7. Press **RATIO** on the Agilent 8902A.

**Frequency Response, Band 0 (≥50 MHz)**

8. Set the Agilent 8340A/B CW to 50 MHz.
9. On the spectrum analyzer, press **FREQUENCY, CENTER FREQ, 50, MHz**.
10. On the Agilent 8340A/B, adjust the power level for a spectrum analyzer MKR amplitude reading of –10 dBm ±0.05 dB.
11. Record the negative of the power ratio displayed on the Agilent 8902A in [Table 10-70](#), column 2. Record the power ratio here:

Agilent 8902A reading at 50 MHz \_\_\_\_\_ dB

12. Set the Agilent 8340A/B CW to 150 MHz.
13. On the spectrum analyzer, press **FREQUENCY, CENTER FREQ, 150, MHz**.
14. On the Agilent 8340A/B, adjust the power level for a spectrum analyzer MKR amplitude reading of –10 dBm ±0.05 dB.
15. Record the negative of the power ratio displayed on the Agilent 8902A, in [Table 10-70](#), column 2.
16. On the Agilent 8340A/B, press **CW, ↑**.

**39. Frequency Response: Agilent 8563E/EC**

17. On the spectrum analyzer, press **FREQUENCY**,  $\uparrow$  to step through the remaining frequencies listed in [Table 10-70](#). At each new frequency, repeat steps 14 through 16, entering the power sensor calibration factors indicated in [Table 10-70](#) into the Agilent 8902A.

---

**NOTE**

It will be necessary to enter the last synthesized sweeper and spectrum analyzer frequency, 2.9 GHz, manually; the step functions will set the frequency to 2.95 GHz.

---

**Frequency Response, Band 1**

18. If the instrument has warmed up for 30 minutes or more and is in a 20 to 30 °C environment, Preselector Auto Peak is **not** necessary.
19. On the spectrum analyzer, press **FREQUENCY**, 2.95, **GHz**.
20. Set the Agilent 8340A/B CW to 2.95 GHz.
21. Press **AUX CTRL, INTERNAL MIXER, PRESEL AUTO PEAK**. Wait for the **PEAKING!** message to disappear.
22. On the Agilent 8340A/B, adjust the power level for a spectrum analyzer MKR amplitude reading of  $-10 \text{ dBm} \pm 0.05 \text{ dB}$ .
23. Record the negative of the power ratio displayed on the Agilent 8902A in [Table 10-71](#), column 2.
24. On the Agilent 8340A/B, press **CW**,  $\uparrow$ .
25. On the spectrum analyzer, press **FREQUENCY**,  $\uparrow\downarrow$  to step through the remaining frequencies listed in [Table 10-71](#). At each new frequency, repeat steps 20 through 23, entering the power sensor calibration factors indicated in [Table 10-71](#) into the Agilent 8902A.

**Frequency Response, Band 2**

26. On the spectrum analyzer, press **FREQUENCY**, 6.5, **GHz**, **CF STEP**, 200, **MHz**.
27. Set the Agilent 8340A/B CW to 6.5 GHz and the **FREQ STEP** to 200 MHz.
28. Press **AUX CTRL, INTERNAL MIXER, PRESEL AUTO PEAK**. Wait for the **PEAKING!** message to disappear.
29. On the Agilent 8340A/B, adjust the power level for a spectrum analyzer MKR amplitude reading of  $-10 \text{ dBm} \pm 0.05 \text{ dB}$ .
30. Record the negative of the power ratio displayed on the Agilent 8902A in [Table 10-72](#) as the Agilent 8902A reading.
31. On the Agilent 8340A/B, press **CW**,  $\uparrow$ .
32. On the spectrum analyzer, press **FREQUENCY**,  $\uparrow$  to step through the remaining

frequencies listed in [Table 10-72](#). At each new frequency, repeat steps 27 through 29, entering the power sensor calibration factors indicated in [Table 10-72](#) into the Agilent 8902A.

---

**NOTE**

It will be necessary to enter the last synthesized sweeper and spectrum analyzer frequency, 13.2 GHz, manually; the step functions will set the frequency to 13.3 GHz.

---

**Frequency Response, Band 3**

33. On the spectrum analyzer, press **FREQUENCY**, 13.25, **GHz**.
34. Set the Agilent 8340A/B CW to 13.25 GHz.
35. Press **AUX CTRL**, **INTERNAL MIXER**, **PRESEL AUTO PEAK**. Wait for the **PEAKING!** message to disappear.
36. On the Agilent 8340A/B, adjust the power level for a spectrum analyzer MKR amplitude reading of  $-10 \text{ dBm} \pm 0.05 \text{ dB}$ .
37. Record the negative of the power ratio displayed on the Agilent 8902A in [Table 10-73](#) as the Agilent 8902A reading.
38. Set the Agilent 8340A/B CW and spectrum analyzer **CENTER FREQ** to 13.3 GHz. Repeat steps 34 through 36.
39. On the Agilent 83650A, press **CW**,  $\uparrow$ .
40. On the spectrum analyzer, press **FREQUENCY**,  $\uparrow$  to step through the remaining frequencies listed in [Table 10-73](#). At each new frequency, repeat steps 34 through 39, skipping step 37, entering the power sensor calibration factors indicated in [Table 10-73](#) into the Agilent 8902A.

**Frequency Response, Band 0 (<50 MHz)**

41. Set the spectrum analyzer controls as follows:

Center frequency . . . . .	50 MHz
Span . . . . .	100 Hz
Resolution BW . . . . .	10 Hz
Marker . . . . .	off
42. Connect the equipment as shown in [Figure 10-47](#) with the power sensor connected to the power splitter.
43. On the Agilent 3335A, set the controls as follows:

Frequency . . . . .	50 MHz
Amplitude . . . . .	-4 dBm

**39. Frequency Response: Agilent 8563E/EC**

Amplitude increment . . . . . 0.01 dB

44. Enter the power sensor 50 MHz calibration factor into the Agilent 8902A.

45. Adjust the Agilent 3335A AMPLITUDE until the Agilent 8902A display reads the same value as recorded in step 11. Record the Agilent 3335A amplitude here, and in [Table 10-74](#):

Agilent 3335A amplitude (50 MHz): \_\_\_\_\_ dBm

46. Replace the Agilent 8485A power sensor with the Agilent 909D 50  $\Omega$  termination.

47. On the spectrum analyzer, press **PEAK SEARCH, MARKER DELTA**.

48. Set the spectrum analyzer CENTER FREQ and the Agilent 3335A FREQUENCY to the frequencies listed in [Table 10-74](#). Test at frequencies less than 9 kHz only if the analyzer is equipped with Option 006. At each frequency, adjust the Agilent 3335A amplitude for a  $\Delta$  MKR amplitude reading of  $0.00 \pm 0.05$  dB. Record the Agilent 3335A amplitude setting in [Table 10-67](#), column 2, as the Agilent 3335A amplitude.

49. For each of the frequencies listed in [Table 10-74](#), subtract the Agilent 3335A amplitude reading (column 2) from the Agilent 3335A amplitude (50 MHz) recorded in step 44. Record the results as the response relative to 50 MHz in [Table 10-74](#), column 3.

50. Add to each of the “response relative to 50 MHz” entries in [Table 10-74](#) the Agilent 8902A reading for 50 MHz listed in [Table 10-70](#). Record the results as the response relative to 300 MHz, in [Table 10-74](#), column 4.

### Test Results

#### 51. Frequency Response, Band 0

- a. Enter the most positive number from [Table 10-74](#), column 4. \_\_\_\_\_ dB
- b. Enter the most positive number from [Table 10-70](#), column 2. \_\_\_\_\_ dB
- c. Of (a) and (b), enter whichever number is *more* positive. \_\_\_\_\_ dB
- d. Enter the most negative number from [Table 10-74](#), column 4. \_\_\_\_\_ dB
- e. Enter the most negative number from [Table 10-70](#), column 2. \_\_\_\_\_ dB
- f. Of (d) and (e), enter whichever number is *more* negative. \_\_\_\_\_ dB
- g. Subtract (f) from (c). \_\_\_\_\_ dB

#### 52. Frequency Response, Band 1

- a. Enter the most positive number from [Table 10-71](#), column 2. \_\_\_\_\_ dB
- b. Enter the most negative number from [Table 10-71](#), column 2. \_\_\_\_\_ dB
- c. Subtract (b) from (a). \_\_\_\_\_ dB

#### 53. Frequency Response, Band 2

- a. Enter the most positive number from [Table 10-72](#), column 2. \_\_\_\_\_ dB
- b. Enter the most negative number from [Table 10-72](#), column 2. \_\_\_\_\_ dB
- c. Subtract (b) from (a). \_\_\_\_\_ dB

**39. Frequency Response: Agilent 8563E/EC**

54. Frequency Response, Band 3, 13.2 GHz to 22 GHz

- a. Enter the most positive number from [Table 10-73](#), column 2 for center frequencies less than or equal to 22 GHz. \_\_\_\_\_ dB
- b. Enter the most negative number from [Table 10-73](#), column 2 for center frequencies less than or equal to 22 GHz. \_\_\_\_\_ dB
- c. Subtract (b) from (a). \_\_\_\_\_ dB

55. Frequency Response, Band 3, 22 GHz to 26.5 GHz

- a. Enter the most positive number from [Table 10-73](#), column 2 for center frequencies greater than 22 GHz. \_\_\_\_\_ dB
- b. Enter the most negative number from [Table 10-73](#), column 2 for center frequencies greater than 22 GHz. \_\_\_\_\_ dB
- c. Subtract (b) from (a). \_\_\_\_\_ dB

**Frequency Response, Band 0, 100 MHz to 2.0 GHz**

56. This step applies only to spectrum analyzers with serial number prefix 3645A or later. Enter the results of the frequency response, Band 0, for the frequency range 100 MHz to 2.0 GHz:

- a. Enter the most positive number from [Table 10-70](#), column 2, for center frequencies between 100 MHz and 2.0 GHz. \_\_\_\_\_ dB
- b. Enter the most negative number from [Table 10-70](#), column 2, for center frequencies between 100 MHz and 2.0 GHz. \_\_\_\_\_ dB
- c. Subtract (b) from (a). \_\_\_\_\_ dB

57. Frequency Response, Band 3, 13.2 GHz to 26.5 GHz

- a. Enter the most positive number from 53 (a) and 54 (a). \_\_\_\_\_ dB
- b. Enter the most negative number from 53 (b) and 54 (b). \_\_\_\_\_ dB

### Band Switching Uncertainty

58. In the top row of [Table 10-75](#), enter the values recorded in the indicated steps. For example, if step 53 (a) has a value of 1.22 dB, enter “1.22 dB” in the top row of the Band 3 column.
59. In the left column of [Table 10-75](#), enter the values recorded in the indicated steps. For example, if step 52 (b) has a value of –0.95 dB, enter “–0.95 dB” in the left column of the Band 2 row.
60. Compute the other entries in [Table 10-75](#) by taking the absolute value of the difference between the values in the left column and the top row.

## 39. Frequency Response: Agilent 8563E/EC

Table 10-70

Frequency Response, Band 0 ( $\geq 50$  MHz)

Column 1 Frequency (MHz)	Column 2 Agilent 8902A Reading (dB)	Column 3 Cal Factor Frequency (GHz)	Column 4 Measurement Uncertainty (dB)
50		0.05	+0.32/-0.34
150		0.05	+0.32/-0.34
250		0.05	+0.32/-0.34
350		0.05	+0.32/-0.34
450		0.05	+0.32/-0.34
550		0.05	+0.32/-0.34
650		0.05	+0.32/-0.34
750		0.05	+0.32/-0.34
850		0.05	+0.32/-0.34
950		0.05	+0.32/-0.34
1050		0.05	+0.32/-0.34
1150		2.0	+0.32/-0.34
1250		2.0	+0.32/-0.34
1350		2.0	+0.32/-0.34
1450		2.0	+0.32/-0.34
1550		2.0	+0.32/-0.34
1650		2.0	+0.32/-0.34
1750		2.0	+0.32/-0.34
1850		2.0	+0.32/-0.34
1950		2.0	+0.32/-0.34
2050		2.0	+0.32/-0.34
2150		2.0	+0.32/-0.34
2250		2.0	+0.32/-0.34
2350		2.0	+0.32/-0.34
2450		2.0	+0.32/-0.34
2550		3.0	+0.32/-0.34
2650		3.0	+0.32/-0.34
2750		3.0	+0.32/-0.34
2850		3.0	+0.32/-0.34
2900		3.0	+0.32/-0.34



**Table 10-71**      **Frequency Response, Band 1**

<b>Column 1 Frequency (GHz)</b>	<b>Column 2 Agilent 8902A Reading (dB)</b>	<b>Column 3 Cal Factor Frequency (GHz)</b>	<b>Column 4 Measurement Uncertainty (dB)</b>
2.95		3.0	+0.44/-0.49
3.05		3.0	+0.44/-0.49
3.15		3.0	+0.44/-0.49
3.25		3.0	+0.44/-0.49
3.35		3.0	+0.44/-0.49
3.45		3.0	+0.44/-0.49
3.55		4.0	+0.44/-0.49
3.65		4.0	+0.44/-0.49
3.75		4.0	+0.44/-0.49
3.85		4.0	+0.44/-0.49
3.95		4.0	+0.44/-0.49
4.05		4.0	+0.44/-0.49
4.15		4.0	+0.44/-0.49
4.25		4.0	+0.44/-0.49
4.35		4.0	+0.44/-0.49
4.45		4.0	+0.44/-0.49
4.55		5.0	+0.44/-0.49
4.65		5.0	+0.44/-0.49
4.75		5.0	+0.44/-0.49
4.85		5.0	+0.44/-0.49
4.95		5.0	+0.44/-0.49
5.05		5.0	+0.44/-0.49
5.15		5.0	+0.44/-0.49
5.25		5.0	+0.44/-0.49
5.35		5.0	+0.44/-0.49
5.45		5.0	+0.44/-0.49
5.55		6.0	+0.44/-0.49
5.65		6.0	+0.44/-0.49
5.75		6.0	+0.44/-0.49
5.85		6.0	+0.44/-0.49
5.95		6.0	+0.44/-0.49
6.05		6.0	+0.44/-0.49
6.15		6.0	+0.44/-0.49
6.25		6.0	+0.44/-0.49
6.35		6.0	+0.44/-0.49
6.45		6.0	+0.44/-0.49

## 39. Frequency Response: Agilent 8563E/EC

Table 10-72

## Frequency Response, Band 2

Column 1 Frequency (GHz)	Column 2 Agilent 8902A Reading (dB)	Column 3 Cal Factor Frequency (GHz)	Column 4 Measurement Uncertainty (dB)
6.5		6.0	+0.45/–0.50 dB
6.7		7.0	+0.45/–0.50 dB
6.9		7.0	+0.45/–0.50 dB
7.1		7.0	+0.45/–0.50 dB
7.3		7.0	+0.45/–0.50 dB
7.5		7.0	+0.45/–0.50 dB
7.7		8.0	+0.45/–0.50 dB
7.9		8.0	+0.45/–0.50 dB
8.1		8.0	+0.45/–0.50 dB
8.3		8.0	+0.45/–0.50 dB
8.5		8.0	+0.45/–0.50 dB
8.7		9.0	+0.45/–0.50 dB
8.9		9.0	+0.45/–0.50 dB
9.1		9.0	+0.45/–0.50 dB
9.3		9.0	+0.45/–0.50 dB
9.5		9.0	+0.45/–0.50 dB
9.7		10.0	+0.45/–0.50 dB
9.9		10.0	+0.45/–0.50 dB
10.1		10.0	+0.45/–0.50 dB
10.3		10.0	+0.45/–0.50 dB
10.5		10.0	+0.45/–0.50 dB
10.7		11.0	+0.45/–0.50 dB
10.9		11.0	+0.45/–0.50 dB
11.1		11.0	+0.45/–0.50 dB
11.3		11.0	+0.45/–0.50 dB
11.5		11.0	+0.45/–0.50 dB
11.7		12.0	+0.45/–0.50 dB
11.9		12.0	+0.45/–0.50 dB
12.1		12.0	+0.45/–0.50 dB
12.3		12.0	+0.45/–0.50 dB
12.5		12.0	+0.45/–0.50 dB
12.7		13.0	+0.45/–0.50 dB
12.9		13.0	+0.45/–0.50 dB
13.1		13.0	+0.45/–0.50 dB
13.2		13.0	+0.45/–0.50 dB

**Table 10-73**      **Frequency Response, Band 3**

<b>Column 1 Frequency (GHz)</b>	<b>Column 2 Agilent 8902A Reading (dB)</b>	<b>Column 3 Cal Factor Frequency (GHz)</b>	<b>Column 4 Measurement Uncertainty (dB)</b>
13.25		13.0	+0.46/–0.51 dB
13.3		13.0	+0.46/–0.51 dB
13.5		13.0	+0.46/–0.51 dB
13.7		14.0	+0.46/–0.51 dB
13.9		14.0	+0.46/–0.51 dB
14.1		14.0	+0.46/–0.51 dB
14.3		14.0	+0.46/–0.51 dB
14.5		14.0	+0.46/–0.51 dB
14.7		15.0	+0.46/–0.51 dB
14.9		15.0	+0.46/–0.51 dB
15.1		15.0	+0.46/–0.51 dB
15.3		15.0	+0.46/–0.51 dB
15.5		15.0	+0.46/–0.51 dB
15.7		16.0	+0.46/–0.51 dB
15.9		16.0	+0.46/–0.51 dB
16.1		16.0	+0.46/–0.51 dB
16.3		16.0	+0.46/–0.51 dB
16.5		16.0	+0.46/–0.51 dB
16.7		17.0	+0.46/–0.51 dB
16.9		17.0	+0.46/–0.51 dB
17.1		17.0	+0.46/–0.51 dB
17.3		17.0	+0.46/–0.51 dB
17.5		17.0	+0.46/–0.51 dB
17.7		18.0	+0.46/–0.51 dB
17.9		18.0	+0.46/–0.51 dB
18.1		18.0	+0.46/–0.51 dB
18.3		18.0	+0.46/–0.51 dB
18.5		18.0	+0.46/–0.51 dB
18.7		19.0	+0.46/–0.51 dB
18.9		19.0	+0.46/–0.51 dB
19.1		19.0	+0.46/–0.51 dB
19.3		19.0	+0.46/–0.51 dB
19.5		19.0	+0.46/–0.51 dB
19.7		20.0	+0.46/–0.51 dB
19.9		20.0	+0.51/–0.58

Table 10-73

Frequency Response, Band 3 (Continued)

Column 1 Frequency (GHz)	Column 2 Agilent 8902A Reading (dB)	Column 3 Cal Factor Frequency (GHz)	Column 4 Measurement Uncertainty (dB)
20.1		20.0	+0.51/–0.58
20.3		20.5	+0.51/–0.58
20.5		20.5	+0.51/–0.58
20.7		20.5	+0.51/–0.58
20.9		21.0	+0.51/–0.58
21.1		21.0	+0.51/–0.58
21.3		21.5	+0.51/–0.58
21.5		21.5	+0.51/–0.58
21.7		21.5	+0.51/–0.58
21.9		22.0	+0.51/–0.58
22.1		22.0	+0.51/–0.58
22.3		22.5	+0.51/–0.58
22.5		22.5	+0.51/–0.58
22.7		22.5	+0.51/–0.58
22.9		23.0	+0.51/–0.58
23.1		23.0	+0.51/–0.58
23.3		23.5	+0.51/–0.58
23.5		23.5	+0.51/–0.58
23.7		23.5	+0.51/–0.58
23.9		24.0	+0.51/–0.58
24.1		24.0	+0.51/–0.58
24.3		24.5	+0.51/–0.58
24.5		24.5	+0.51/–0.58
24.7		24.5	+0.51/–0.58
24.9		25.0	+0.51/–0.58
25.1		25.0	+0.51/–0.58
25.3		25.5	+0.51/–0.58
25.5		25.5	+0.51/–0.58
25.7		25.5	+0.51/–0.58
25.9		26.0	+0.51/–0.58
26.1		26.0	+0.51/–0.58
26.3		26.5	+0.51/–0.58
26.5		26.5	+0.51/–0.58

**Table 10-74**

**Frequency Response, Band 0 (<50 MHz)**

Column 1 Frequency	Column 2 Agilent 3335A Amplitude (dBm)	Column 3 Response Relative to 50 MHz	Column 4 Response Relative to 300 MHz	Column 5 Measurement Uncertainty (dB)
50 MHz		0 (Ref.)		+0.27/-0.28
20 MHz				+0.27/-0.28
10 MHz				+0.27/-0.28
1 MHz				+0.27/-0.28
100 kHz				+0.27/-0.28
9 kHz				+0.27/-0.28
1 kHz*				+0.27/-0.28
500 Hz*				+0.27/-0.28
200 Hz*				+0.27/-0.28
*These measurements apply only to analyzers equipped with Option 006.				

**Table 10-75**

**Band Switching Uncertainty**

	Band 0 Step 50 (c)	Band 1 Step 51 (a)	Band 2 Step 52 (a)	Band 3 <22 GHz Step 53 (a)	Band 3 >22 GHz Step 54 (a)
<b>Band 0</b> Step 50 (f)	N/A				
<b>Band 1</b> Step 51 (b)		N/A			
<b>Band 2</b> Step 52 (b)			N/A		
<b>Band 3</b> <22 GHz Step 53 (b)				N/A	

**Table 10-75**

**Band Switching Uncertainty**

	<b>Band 0 Step 50 (c)</b> _____	<b>Band 1 Step 51 (a)</b> _____	<b>Band 2 Step 52 (a)</b> _____	<b>Band 3 &lt;22 GHz Step 53 (a)</b> _____	<b>Band 3 &gt;22 GHz Step 54 (a)</b> _____
<b>Band 3 &gt;22 GHz Step 54 (b)</b> _____					N/A

---

## 40. Frequency Response: Agilent 8564E/EC

### Instrument Under Test

Agilent 8564E/EC

### Related Specification

Relative Frequency Response  
Absolute Frequency Response  
Band Switching Uncertainty

### Related Adjustment

RYTHM Adjustment  
Frequency Response Adjustment  
LO Distribution Amplifier Adjustment  
SBTX Adjustment

### Description

The output of the synthesized sweeper is fed through a power splitter to a power sensor, then to the spectrum analyzer. The synthesized sweeper power level is adjusted at 300 MHz to place the displayed signal at the center horizontal graticule line of the spectrum analyzer. The measuring receiver, used as a power meter, is placed in RATIO mode. At each new synthesized sweeper frequency and spectrum analyzer center frequency, the sweeper power level is adjusted to place the signal at the center horizontal graticule line. The measuring receiver displays the inverse of the frequency response relative to the calibrator.

### Equipment

Measuring receiver . . . . . Agilent 8902A  
Synthesized sweeper . . . . . Agilent 83650A  
Synthesizer/level generator . . . . . Agilent 3335A  
Power sensor . . . . . Agilent 8487A  
Power splitter . . . . . Agilent 11667C  
Coaxial 50  $\Omega$  termination . . . . . Agilent 85138B

### Adapters

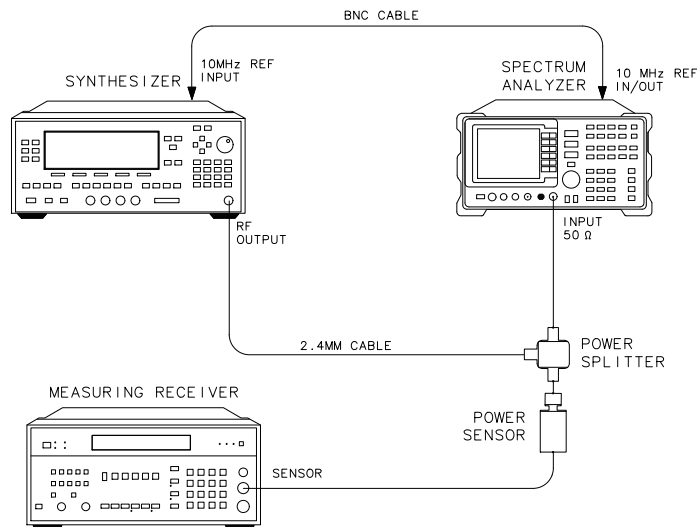
Type N (f) to 2.4 mm (m) . . . . . Agilent 11903C  
Type N (m) to BNC (f) . . . . . 1250-1476

**Cables**

BNC, 122 cm (48 in.) (2 required) . . . . . Agilent 10503A

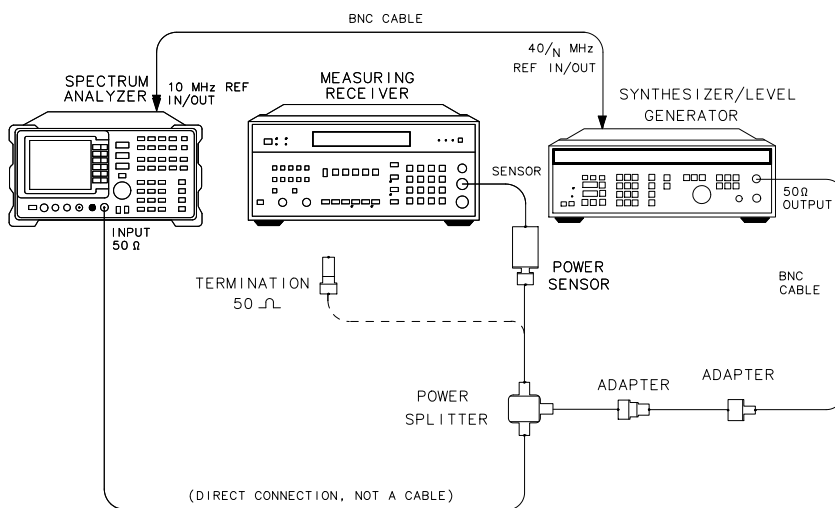
2.4 mm, 91 cm (36 in.) . . . . . 8120-6164

**Figure 10-48** Frequency Response Test Setup, 50 MHz to 40 GHz



xj15e

**Figure 10-49** Frequency Response Test Setup, <50 MHz



xj19e

**Procedure**

1. Zero and calibrate the Agilent 8902A and the Agilent 8487A in LOG mode, as described in the Agilent 8902A Operation Manual. Enter the power sensor 300 MHz calibration factor into the Agilent 8902A.



2. Connect the equipment as shown in [Figure 10-48](#).
3. On the Agilent 83650A, press **PRESET**. Set the controls as follows:
  - CW frequency . . . . . 300 MHz
  - Frequency step . . . . . 100 MHz
  - Power level . . . . . -4 dBm
4. On the spectrum analyzer, press **PRESET**. Press **RECALL, MORE 1 OF 2, FACTORY PRSEL PK**. Set the spectrum analyzer controls as follows:
  - Center frequency . . . . . 300 MHz
  - Center frequency step . . . . . 100 MHz
  - Span . . . . . 0 Hz
  - Reference level . . . . . -5 dBm
  - dB/division . . . . . 1 dB
  - Resolution BW . . . . . 300 kHz
5. On the spectrum analyzer, press **MKR**.
6. On the Agilent 83650A, adjust the power level for a MKR amplitude of -10 dBm  $\pm$ 0.05 dB.
7. Press **RATIO** on the Agilent 8902A.

**Frequency Response, Band 0 ( $\geq$ 50 MHz)**

8. Set the Agilent 83650A CW to 50 MHz.
9. On the spectrum analyzer, press **FREQUENCY, CENTER FREQ, 50, MHz**.
10. On the Agilent 83650A, adjust the power level for a spectrum analyzer MKR amplitude reading of -10 dBm  $\pm$ 0.05 dB.
11. Record the negative of the power ratio displayed on the Agilent 8902A in [Table 10-76](#), column 2. Record the power ratio here:

Agilent 8902A reading at 50 MHz \_\_\_\_\_ dB

12. Set the Agilent 83650A CW to 150 MHz.
13. On the spectrum analyzer, press **FREQUENCY, CENTER FREQ, 150, MHz**.
14. On the Agilent 83650A, adjust the power level for a spectrum analyzer MKR amplitude reading of -10 dBm  $\pm$ 0.05 dB.
15. Record the negative of the power ratio displayed on the Agilent 8902A, in [Table 10-76](#), column 2.
16. On the Agilent 83650A, press **CW,  $\uparrow$** .

**40. Frequency Response: Agilent 8564E/EC**

17. On the spectrum analyzer, press **FREQUENCY**,  $\uparrow$  to step through the remaining frequencies listed in [Table 10-76](#). At each new frequency, repeat steps 14 through 16, entering the power sensor calibration factors indicated in [Table 10-76](#) into the Agilent 8902A.

---

**NOTE**

It will be necessary to enter the last synthesized sweeper and spectrum analyzer frequency, 2.9 GHz, manually; the step functions will set the frequency to 2.95 GHz.

---

**Frequency Response, Band 1**

18. If the instrument has warmed up for 30 minutes or more and is in a 20 to 30 °C environment, Preselector Auto Peak is **not** necessary.
19. On the spectrum analyzer, press **FREQUENCY**, 2.95, **GHz**.
20. Set the Agilent 83650A CW to 2.95 GHz.
21. Press **AUX CTRL, INTERNAL MIXER, PRESEL AUTO PEAK**. Wait for the **PEAKING!** message to disappear.
22. On the Agilent 83650A, adjust the power level for a spectrum analyzer MKR amplitude reading of  $-10 \text{ dBm} \pm 0.05 \text{ dB}$ .
23. Record the negative of the power ratio displayed on the Agilent 8902A in [Table 10-77](#), column 2.
24. On the Agilent 83650A, press **CW**,  $\uparrow$ .
25. On the spectrum analyzer, press **FREQUENCY**,  $\uparrow$  to step through the remaining frequencies listed in [Table 10-77](#). At each new frequency, repeat steps 20 through 23, entering the power sensor calibration factors indicated in [Table 10-77](#) into the Agilent 8902A.

**Frequency Response, Band 2**

26. On the spectrum analyzer, press **FREQUENCY**, 6.5, **GHz**, **CF STEP**, 200, **MHz**.
27. Set the Agilent 83650A CW to 6.5 GHz and the **FREQ STEP** to 200 MHz.
28. Press **AUX CTRL, INTERNAL MIXER, PRESEL AUTO PEAK**. Wait for the **PEAKING!** message to disappear.
29. On the Agilent 83650A, adjust the power level for a spectrum analyzer MKR amplitude reading of  $-10 \text{ dBm} \pm 0.05 \text{ dB}$ .
30. Record the negative of the power ratio displayed on the Agilent 8902A in [Table 10-78](#) as the Agilent 8902A reading.
31. On the Agilent 83650A, press **CW**,  $\uparrow$ .

32. On the spectrum analyzer, press **FREQUENCY**,  $\uparrow\downarrow$  to step through the remaining frequencies listed in [Table 10-78](#). At each new frequency, repeat steps 27 through 29, entering the power sensor calibration factors indicated in [Table 10-78](#) into the Agilent 8902A.

---

**NOTE**

It will be necessary to enter the last synthesized sweeper and spectrum analyzer frequency, 13.2 GHz, manually; the step functions will set the frequency to 13.3 GHz.

---

### **Frequency Response, Band 3**

33. On the spectrum analyzer, press **FREQUENCY**, 13.25, **GHz**.
34. Set the Agilent 83650A CW to 13.25 GHz.
35. Press **AUX CTRL**, **INTERNAL MIXER**, **PRESEL AUTO PEAK**. Wait for the **PEAKING!** message to disappear.
36. On the Agilent 83650A, adjust the power level for a spectrum analyzer MKR amplitude reading of  $-10 \text{ dBm} \pm 0.05 \text{ dB}$ .
37. Record the negative of the power ratio displayed on the Agilent 8902A in [Table 10-79](#) as the Agilent 8902A reading.
38. Set the Agilent 83650A CW and spectrum analyzer **CENTER FREQ** to 13.4 GHz. Repeat steps 34 through 36.
39. On the Agilent 83650A, press **CW**,  $\uparrow$ .
40. On the spectrum analyzer, press **FREQUENCY**,  $\uparrow$  to step through the remaining frequencies listed in [Table 10-79](#). At each new frequency, repeat steps 34 through 39, skipping step 37, entering the power sensor calibration factors indicated in [Table 10-79](#) into the Agilent 8902A.

### **Frequency Response, Band 4**

41. On the spectrum analyzer, press **FREQUENCY**, 26.9, **GHz**, **CF STEP**, 300, **MHz**.
42. Set the Agilent 83650A CW to 26.9 GHz and the **FREQ STEP** to 300 MHz.
43. Press **AUX CTRL**, **INTERNAL MIXER**, **PRESEL AUTO PEAK**. Wait for the **PEAKING!** message to disappear.
44. On the Agilent 83650A, adjust the power level for a spectrum analyzer MKR amplitude reading of  $-10 \text{ dBm} \pm 0.05 \text{ dB}$ .
45. Record the negative of the power ratio displayed on the Agilent 8902A in [Table 10-80](#) as the Agilent 8902A reading.
46. On the Agilent 83650A, press **CW**,  $\uparrow$ .

**40. Frequency Response: Agilent 8564E/EC**

47. On the spectrum analyzer, press **FREQUENCY**,  $\uparrow$  to step through the remaining frequencies listed in [Table 10-80](#). At each new frequency, repeat steps 42 through 45, entering the power sensor calibration factors indicated in [Table 10-80](#) into the Agilent 8902A.

**Frequency Response, Band 5**

48. On the spectrum analyzer, press **FREQUENCY**, 31.2, GHz, **CF STEP**, 400, MHz.
49. Set the Agilent 83650A CW to 31.20 GHz and the FREQ STEP to 400 MHz.
50. Press **AUX CTRL**, **INTERNAL MIXER**, **PRESEL AUTO PEAK**. Wait for the PEAKING! message to disappear.
51. On the Agilent 83650A, adjust the power level for a spectrum analyzer MKR amplitude reading of  $-10 \text{ dBm} \pm 0.05 \text{ dB}$ .
52. Record the negative of the power ratio displayed on the Agilent 8902A in [Table 10-81](#) as the Agilent 8902A reading.
53. On the Agilent 83650A, press **CW**,  $\uparrow$ .
54. On the spectrum analyzer, press **FREQUENCY**,  $\uparrow$ .
55. On the spectrum analyzer, press **FREQUENCY**,  $\uparrow$  to step through the remaining frequencies listed in [Table 10-81](#). At each new frequency, repeat steps 49 through 53, entering the power sensor calibration factors indicated in [Table 10-81](#) into the Agilent 8902A.

**Frequency Response, Band 0 (<50 MHz)**

56. Set the spectrum analyzer controls as follows:

Center frequency . . . . . 50 MHz  
Span . . . . . 100 Hz  
Resolution BW . . . . . 10 Hz  
Marker . . . . . off

57. Connect the equipment as shown in [Figure 10-49](#) with the power sensor connected to the power splitter.

58. On the Agilent 3335A, set the controls as follows:

Frequency . . . . . 50 MHz  
Amplitude . . . . .  $-4 \text{ dBm}$   
Amplitude increment . . . . . 0.01 dB

59. Enter the power sensor 50 MHz calibration factor into the Agilent 8902A.

60. Adjust the Agilent 3335A AMPLITUDE until the Agilent 8902A display reads the same value as recorded in step 11. Record the Agilent 3335A amplitude here, and in [Table 10-82](#):

Agilent 3335A amplitude (50 MHz): \_\_\_\_\_ dBm

61. Replace the Agilent 8487A power sensor with the Agilent 85138B 50  $\Omega$  termination.
62. On the spectrum analyzer, press **PEAK SEARCH, MARKER DELTA**.
63. Set the spectrum analyzer CENTER FREQ and the Agilent 3335A FREQUENCY to the frequencies listed in [Table 10-82](#). Test at frequencies less than 9 kHz only if the analyzer is equipped with Option 006. At each frequency, adjust the Agilent 3335A amplitude for a  $\Delta$  MKR amplitude reading of  $0.00 \pm 0.05$  dB. Record the Agilent 3335A amplitude setting in [Table 10-82](#), column 2, as the Agilent 3335A amplitude.
64. For each of the frequencies listed in [Table 10-82](#), subtract the Agilent 3335A amplitude reading (column 2) from the Agilent 3335A amplitude (50 MHz) recorded in step 59. Record the results as the response relative to 50 MHz in [Table 10-82](#), column 3.
65. Add to each of the “response relative to 50 MHz” entries in [Table 10-82](#) the Agilent 8902A reading for 50 MHz listed in [Table 10-76](#). Record the results as the response relative to 300 MHz, in [Table 10-82](#), column 4.

**Test Results**

## 66. Frequency Response, Band 0

- a. Enter the most positive number from [Table 10-82](#), column 4. \_\_\_\_\_ dB
- b. Enter the most positive number from [Table 10-76](#), column 2. \_\_\_\_\_ dB
- c. Of (a) and (b), enter whichever number is *more* positive. \_\_\_\_\_ dB
- d. Enter the most negative number from [Table 10-82](#), column 4. \_\_\_\_\_ dB
- e. Enter the most negative number from [Table 10-76](#), column 2. \_\_\_\_\_ dB
- f. Of (d) and (e), enter whichever number is *more* negative. \_\_\_\_\_ dB
- g. Subtract (f) from (c). \_\_\_\_\_ dB

## 67. Frequency Response, Band 1

- a. Enter the most positive number from [Table 10-77](#), column 2. \_\_\_\_\_ dB
- b. Enter the most negative number from [Table 10-77](#), column 2. \_\_\_\_\_ dB
- c. Subtract (b) from (a). \_\_\_\_\_ dB

## 68. Frequency Response, Band 2

- a. Enter the most positive number from [Table 10-78](#), column 2. \_\_\_\_\_ dB
- b. Enter the most negative number from [Table 10-78](#), column 2. \_\_\_\_\_ dB
- c. Subtract (b) from (a). \_\_\_\_\_ dB

69. Frequency Response, Band 3, 13.2 GHz to 22 GHz

- a. Enter the most positive number from [Table 10-79](#), column 2 for center frequencies less than or equal to 22 GHz. \_\_\_\_\_ dB
- b. Enter the most negative number from [Table 10-79](#), column 2 for center frequencies less than or equal to 22 GHz. \_\_\_\_\_ dB
- c. Subtract (b) from (a). \_\_\_\_\_ dB

70. Frequency Response, Band 3, 22 GHz to 26.8 GHz

- a. Enter the most positive number from [Table 10-79](#), column 2 for center frequencies greater than 22 GHz. \_\_\_\_\_ dB
- b. Enter the most negative number from [Table 10-79](#), column 2 for center frequencies greater than 22 GHz. \_\_\_\_\_ dB
- c. Subtract (b) from (a). \_\_\_\_\_ dB

71. Frequency Response, Band 3, 13.2 GHz to 26.8 GHz

- a. Enter the most positive number from 69 (a) and 70 (a). \_\_\_\_\_ dB
- b. Enter the most negative number from 69 (b) and 70 (b). \_\_\_\_\_ dB

72. Frequency Response, Band 4

- a. Enter the most positive number from [Table 10-80](#), column 2. \_\_\_\_\_ dB
- b. Enter the most negative number from [Table 10-80](#), column 2. \_\_\_\_\_ dB
- c. Subtract (b) from (a). \_\_\_\_\_ dB

73. Frequency Response, Band 5

- a. Enter the most positive number from [Table 10-81](#), column 2. \_\_\_\_\_ dB
- b. Enter the most negative number from [Table 10-81](#), column 2. \_\_\_\_\_ dB
- c. Subtract (b) from (a). \_\_\_\_\_ dB

**40. Frequency Response: Agilent 8564E/EC**

**Frequency Response, Band 0, 100 MHz to 2.0 GHz**

74. This step applies only to spectrum analyzers with serial number prefix 3641A or later. Enter the results of the frequency response, Band 0, for the frequency range 100 MHz to 2.0 GHz:

a. Enter the most positive number from [Table 10-76](#), column \_\_\_\_\_ dB  
2, for center frequencies between 100 MHz and 2.0 GHz.

b. Enter the most negative number from [Table 10-76](#), column \_\_\_\_\_ dB  
2, for center frequencies between 100 MHz and 2.0 GHz.

c. Subtract (b) from (a). \_\_\_\_\_ dB

**Band Switching Uncertainty**

75. In the top row of [Table 10-83](#), enter the values recorded in the indicated steps. For example, if step 68 (a) has a value of 1.22 dB, enter “1.22 dB” in the top row of the Band 3 column.

76. In the left column of [Table 10-83](#), enter the values recorded in the indicated steps. For example, if step 67 (b) has a value of –0.95 dB, enter “–0.95 dB” in the left column of the Band 2 row.

77. Compute the other entries in [Table 10-83](#) by taking the absolute value of the difference between the values in the left column and the top row.



**Table 10-76**

**Frequency Response, Band 0 ( $\geq 50$  MHz)**

<b>Column 1 Frequency (MHz)</b>	<b>Column 2 Agilent 8902A Reading (dB)</b>	<b>Column 3 Cal Factor Frequency (GHz)</b>	<b>Column 4 Measurement Uncertainty (dB)</b>
50		0.05	+0.37/-0.41
150		0.05	+0.37/-0.41
250		0.05	+0.37/-0.41
350		0.05	+0.37/-0.41
450		0.05	+0.37/-0.41
550		0.05	+0.37/-0.41
650		0.05	+0.37/-0.41
750		0.05	+0.37/-0.41
850		0.05	+0.37/-0.41
950		0.05	+0.37/-0.41
1050		0.05	+0.37/-0.41
1150		2.0	+0.37/-0.41
1250		2.0	+0.37/-0.41
1350		2.0	+0.37/-0.41
1450		2.0	+0.37/-0.41
1550		2.0	+0.37/-0.41
1650		2.0	+0.37/-0.41
1750		2.0	+0.37/-0.41
1850		2.0	+0.37/-0.41
1950		2.0	+0.37/-0.41
2050		2.0	+0.37/-0.41
2150		2.0	+0.37/-0.41
2250		2.0	+0.37/-0.41
2350		2.0	+0.37/-0.41
2450		2.0	+0.37/-0.41
2550		2.0	+0.37/-0.41
2650		2.0	+0.37/-0.41
2750		2.0	+0.37/-0.41
2850		2.0	+0.37/-0.41
2900		2.0	+0.37/-0.41

Table 10-77

## Frequency Response, Band 1

Column 1 Frequency (GHz)	Column 2 Agilent 8902A Reading (dB)	Column 3 Cal Factor Frequency (GHz)	Column 4 Measurement Uncertainty (dB)
2.95		2.0	+0.49/-0.55
3.05		4.0	+0.49/-0.55
3.15		4.0	+0.49/-0.55
3.25		4.0	+0.49/-0.55
3.35		4.0	+0.49/-0.55
3.45		4.0	+0.49/-0.55
3.55		4.0	+0.49/-0.55
3.65		4.0	+0.49/-0.55
3.75		4.0	+0.49/-0.55
3.85		4.0	+0.49/-0.55
3.95		4.0	+0.49/-0.55
4.05		4.0	+0.49/-0.55
4.15		4.0	+0.49/-0.55
4.25		4.0	+0.49/-0.55
4.35		4.0	+0.49/-0.55
4.45		4.0	+0.49/-0.55
4.55		4.0	+0.49/-0.55
4.65		4.0	+0.49/-0.55
4.75		4.0	+0.49/-0.55
4.85		4.0	+0.49/-0.55
4.95		4.0	+0.49/-0.55
5.05		6.0	+0.49/-0.55
5.15		6.0	+0.49/-0.55
5.25		6.0	+0.49/-0.55
5.35		6.0	+0.49/-0.55
5.45		6.0	+0.49/-0.55
5.55		6.0	+0.49/-0.55
5.65		6.0	+0.49/-0.55
5.75		6.0	+0.49/-0.55
5.85		6.0	+0.49/-0.55
5.95		6.0	+0.49/-0.55
6.05		6.0	+0.49/-0.55
6.15		6.0	+0.49/-0.55
6.25		6.0	+0.49/-0.55
6.35		6.0	+0.49/-0.55
6.45		6.0	+0.49/-0.55

**Table 10-78**      **Frequency Response, Band 2**

<b>Column 1 Frequency (GHz)</b>	<b>Column 2 Agilent 8902A Reading (dB)</b>	<b>Column 3 Cal Factor Frequency (GHz)</b>	<b>Column 4 Measurement Uncertainty (dB)</b>
6.5		6.0	+0.49/-0.56
6.7		6.0	+0.49/-0.56
6.9		6.0	+0.49/-0.56
7.1		8.0	+0.49/-0.56
7.3		8.0	+0.49/-0.56
7.5		8.0	+0.49/-0.56
7.7		8.0	+0.49/-0.56
7.9		8.0	+0.49/-0.56
8.1		8.0	+0.49/-0.56
8.3		8.0	+0.49/-0.56
8.5		8.0	+0.49/-0.56
8.7		8.0	+0.49/-0.56
8.9		8.0	+0.49/-0.56
9.1		10.0	+0.49/-0.56
9.3		10.0	+0.49/-0.56
9.5		10.0	+0.49/-0.56
9.7		10.0	+0.49/-0.56
9.9		10.0	+0.49/-0.56
10.1		10.0	+0.49/-0.56
10.3		10.0	+0.49/-0.56
10.5		10.0	+0.49/-0.56
10.7		10.0	+0.49/-0.56
10.9		10.0	+0.49/-0.56
11.1		12.0	+0.49/-0.56
11.3		12.0	+0.49/-0.56
11.5		12.0	+0.49/-0.56
11.7		12.0	+0.49/-0.56
11.9		12.0	+0.49/-0.56
12.1		12.0	+0.49/-0.56
12.3		12.0	+0.49/-0.56
12.5		12.0	+0.49/-0.56
12.7		12.0	+0.49/-0.56
12.9		12.0	+0.49/-0.56
13.1		14.0	+0.49/-0.56
13.2		14.0	+0.49/-0.56

Table 10-79

## Frequency Response, Band 3

Column 1 Frequency (GHz)	Column 2 Agilent 8902A Reading (dB)	Column 3 Cal Factor Frequency (GHz)	Column 4 Measurement Uncertainty (dB)
13.25		14.0	+0.53/–0.60
13.4		14.0	+0.53/–0.60
13.6		14.0	+0.53/–0.60
13.8		14.0	+0.53/–0.60
14.0		14.0	+0.53/–0.60
14.2		14.0	+0.53/–0.60
14.4		14.0	+0.53/–0.60
14.6		14.0	+0.53/–0.60
14.8		14.0	+0.53/–0.60
15.0		14.0	+0.53/–0.60
15.2		16.0	+0.53/–0.60
15.4		16.0	+0.53/–0.60
15.6		16.0	+0.53/–0.60
15.8		16.0	+0.53/–0.60
16.0		16.0	+0.53/–0.60
16.2		16.0	+0.53/–0.60
16.4		16.0	+0.53/–0.60
16.6		16.0	+0.53/–0.60
16.8		16.0	+0.53/–0.60
17.0		16.0	+0.53/–0.60
17.2		18.0	+0.53/–0.60
17.4		18.0	+0.53/–0.60
17.6		18.0	+0.53/–0.60
17.8		18.0	+0.53/–0.60
18.0		18.0	+0.53/–0.60
18.2		18.0	+0.53/–0.60
18.4		18.0	+0.53/–0.60
18.6		18.0	+0.53/–0.60
18.8		18.0	+0.53/–0.60
19.0		18.0	+0.53/–0.60
19.2		20.0	+0.53/–0.60
19.4		20.0	+0.53/–0.60
19.6		20.0	+0.53/–0.60
19.8		20.0	+0.53/–0.60
20.0		20.0	+0.53/–0.60
20.2		20.0	+0.53/–0.60
20.4		20.0	+0.53/–0.60

**Table 10-79 Frequency Response, Band 3 (Continued)**

<b>Column 1 Frequency (GHz)</b>	<b>Column 2 Agilent 8902A Reading (dB)</b>	<b>Column 3 Cal Factor Frequency (GHz)</b>	<b>Column 4 Measurement Uncertainty (dB)</b>
20.6		20.0	+0.53/–0.60
20.8		20.0	+0.53/–0.60
21.0		20.0	+0.53/–0.60
21.2		21.0	+0.53/–0.60
21.4		21.0	+0.53/–0.60
21.6		21.0	+0.53/–0.60
21.8		21.0	+0.53/–0.60
22.0		22.0	+0.53/–0.60
22.2		22.0	+0.53/–0.60
22.4		22.0	+0.53/–0.60
22.6		22.0	+0.53/–0.60
22.8		22.0	+0.53/–0.60
23.0		22.0	+0.53/–0.60
23.2		24.0	+0.53/–0.60
23.4		24.0	+0.53/–0.60
23.6		24.0	+0.53/–0.60
23.8		24.0	+0.53/–0.60
24.0		24.0	+0.53/–0.60
24.2		24.0	+0.53/–0.60
24.4		24.0	+0.53/–0.60
24.6		24.0	+0.53/–0.60
24.8		24.0	+0.53/–0.60
25.0		24.0	+0.53/–0.60
25.2		26.0	+0.53/–0.60
25.4		26.0	+0.53/–0.60
25.6		26.0	+0.53/–0.60
25.8		26.0	+0.53/–0.60
26.0		26.0	+0.53/–0.60
26.2		26.0	+0.53/–0.60
26.4		26.5	+0.53/–0.60
26.6		26.5	+0.53/–0.60
26.8		27.0	+0.53/–0.60

Table 10-80

Frequency Response, Band 4

Column 1 Frequency (GHz)	Column 2 Agilent 8902A Reading (dB)	Column 3 Cal Factor Frequency (GHz)	Column 4 Measurement Uncertainty (dB)
26.9		27.0	+0.74/-0.89
27.2		27.0	+0.74/-0.89
27.5		28.0	+0.74/-0.89
27.8		28.0	+0.74/-0.89
28.1		28.0	+0.74/-0.89
28.4		28.0	+0.74/-0.89
28.7		29.0	+0.74/-0.89
29.0		29.0	+0.74/-0.89
29.3		29.0	+0.74/-0.89
29.6		30.0	+0.74/-0.89
29.9		30.0	+0.74/-0.89
30.2		30.0	+0.74/-0.89
30.5		31.0	+0.74/-0.89
30.8		31.0	+0.74/-0.89
31.1		31.0	+0.74/-0.89

**Table 10-81**      **Frequency Response, Band 5**

<b>Column 1 Frequency (GHz)</b>	<b>Column 2 Agilent 8902A Reading (dB)</b>	<b>Column 3 Cal Factor Frequency (GHz)</b>	<b>Column 4 Measurement Uncertainty (dB)</b>
31.2		31.0	+0.74/-0.89
31.6		32.0	+0.74/-0.89
32.0		32.0	+0.74/-0.89
32.4		32.0	+0.74/-0.89
32.8		33.0	+0.74/-0.89
33.2		33.0	+0.74/-0.89
33.6		34.0	+0.74/-0.89
34.0		34.0	+0.74/-0.89
34.4		34.0	+0.74/-0.89
34.8		35.0	+0.74/-0.89
35.2		35.0	+0.74/-0.89
35.6		36.0	+0.74/-0.89
36.0		36.0	+0.74/-0.89
36.4		36.0	+0.74/-0.89
36.8		37.0	+0.74/-0.89
37.2		37.0	+0.74/-0.89
37.6		38.0	+0.74/-0.89
38.0		38.0	+0.74/-0.89
38.4		38.0	+0.74/-0.89
38.8		39.0	+0.74/-0.89
39.2		39.0	+0.74/-0.89
39.6		40.0	+0.74/-0.89
40.0		40.0	+0.74/-0.89

**40. Frequency Response: Agilent 8564E/EC****Table 10-82****Frequency Response, Band 0 (<50 MHz)**

<b>Column 1 Frequency</b>	<b>Column 2 Agilent 3335A Amplitude (dBm)</b>	<b>Column 3 Response Relative to 50 MHz</b>	<b>Column 4 Response Relative to 300 MHz</b>	<b>Column 5 Measurement Uncertainty (dB)</b>
50 MHz		0 (Ref.)		+0.27/–0.28
20 MHz				+0.27/–0.28
10 MHz				+0.27/–0.28
1 MHz				+0.27/–0.28
100 kHz				+0.27/–0.28
9 kHz				+0.27/–0.28
1 kHz*				+0.27/–0.28
500 Hz*				+0.27/–0.28
200 Hz*				+0.27/–0.28
*These measurements apply only to analyzers equipped with Option 006.				



**Table 10-83 Band Switching Uncertainty**

	<b>Band 0</b> Step 65c	<b>Band 1</b> Step 66	<b>Band 2</b> Step 67a	<b>Band 3</b> <22 GHz Step 68a	<b>Band 3</b> >22 GHz Step 69a	<b>Band 4</b> Step 71a	<b>Band 5</b> Step 72a
<b>Band 0</b> Step 65f	N/A						
<b>Band 1</b> Step 66b		N/A					
<b>Band 2</b> Step 67b			N/A				
<b>Band 3</b> <22 GHz Step 68b				N/A			
<b>Band 3</b> >22 GHz Step 69b					N/A		
<b>Band 4</b> Step 71b						N/A	
<b>Band 5</b> Step 72b							N/A

## 41. Frequency Response: Agilent 8565E/EC

### Instrument Under Test

Agilent 8565E/EC

### Related Specification

Relative Frequency Response  
Absolute Frequency Response  
Band Switching Uncertainty

### Related Adjustment

RYTHM Adjustment  
Frequency Response Adjustment  
LO Distribution Amplifier Adjustment  
SBTX Adjustment

### Description

The output of the synthesized sweeper is fed through a power splitter to a power sensor, then to the spectrum analyzer. The synthesized sweeper power level is adjusted at 300 MHz to place the displayed signal at the center horizontal graticule line of the spectrum analyzer. The measuring receiver, used as a power meter, is placed in RATIO mode. At each new synthesized sweeper frequency and spectrum analyzer center frequency, the sweeper power level is adjusted to place the signal at the center horizontal graticule line. The measuring receiver displays the inverse of the frequency response relative to the calibrator.

### Equipment

Measuring receiver . . . . .	Agilent 8902A
Synthesized sweeper . . . . .	Agilent 83650A
Synthesizer/level generator . . . . .	Agilent 3335A
Power sensor . . . . .	Agilent 8487A
Power splitter . . . . .	Agilent 11667C
Coaxial 50 $\Omega$ termination . . . . .	Agilent 85138B

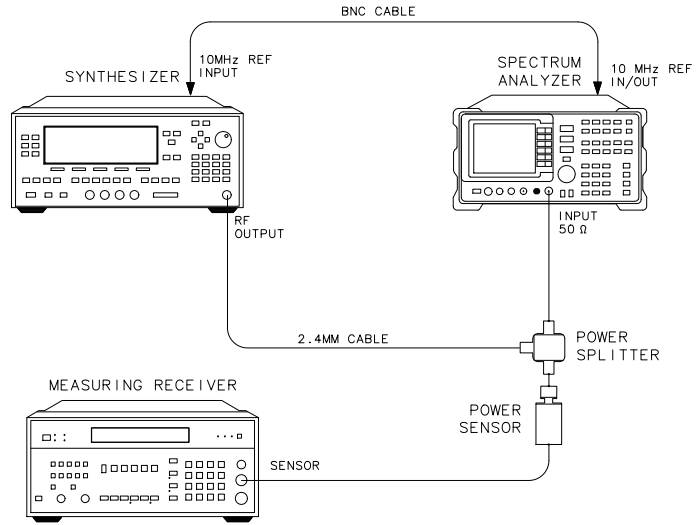
### Adapters

Type N (f) to 2.4 mm (m) . . . . .	Agilent 11903C
Type N (m) to BNC (f) . . . . .	1250-1476

**Cables**

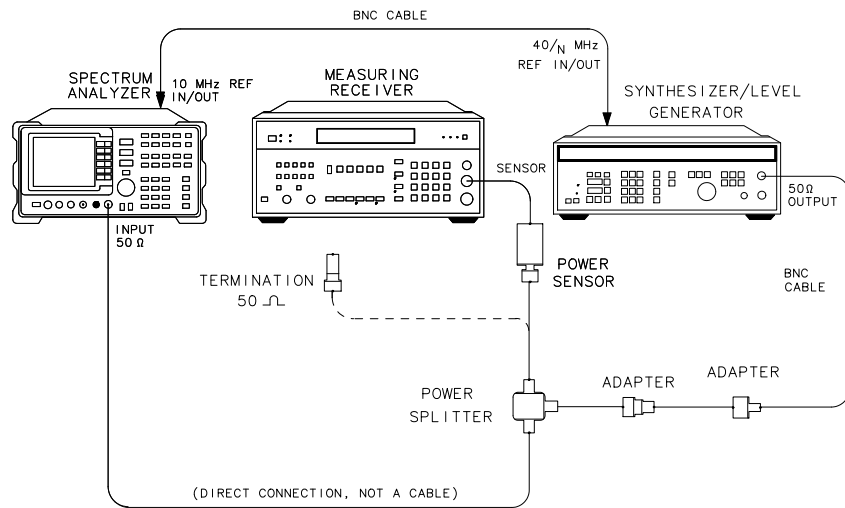
- BNC, 122 cm (48 in.) (2 required) . . . . . Agilent 10503A
- 2.4 mm, 91 cm (36 in.) . . . . . 8120-6164

**Figure 10-50** Frequency Response Test Setup, 50 MHz to 50 GHz



x j15e

**Figure 10-51** Frequency Response Test Setup, <50 MHz



x j19e

**Procedure**

1. Zero and calibrate the Agilent 8902A and the Agilent 8487A in LOG mode, as described in the Agilent 8902A Operation Manual. Enter the power sensor 300 MHz calibration factor into the Agilent 8902A.

**41. Frequency Response: Agilent 8565E/EC**

2. Connect the equipment as shown in [Figure 10-50](#).
3. On the Agilent 83650A, press **PRESET**. Set the controls as follows:
  - CW frequency . . . . . 300 MHz
  - Frequency step . . . . . 100 MHz
  - Power level . . . . . –4 dBm
4. On the spectrum analyzer, press **PRESET**. Press **RECALL, MORE 1 OF 2, FACTORY PRSEL PK**. Set the spectrum analyzer controls as follows:
  - Center frequency . . . . . 300 MHz
  - Center frequency step . . . . . 100 MHz
  - Span . . . . . 0 Hz
  - Reference level . . . . . –5 dBm
  - dB/division . . . . . 1 dB
  - Resolution BW . . . . . 300 kHz
5. On the spectrum analyzer, press **MKR**.
6. On the Agilent 83650A, adjust the power level for a MKR amplitude of –10 dBm  $\pm$ 0.05 dB.
7. Press **RATIO** on the Agilent 8902A.

**Frequency Response, Band 0 ( $\geq$ 50 MHz)**

8. Set the Agilent 83650A CW to 50 MHz.
9. On the spectrum analyzer, press **FREQUENCY, CENTER FREQ, 50, MHz**.
10. On the Agilent 83650A, adjust the power level for a spectrum analyzer MKR amplitude reading of –10 dBm  $\pm$ 0.05 dB.
11. Record the negative of the power ratio displayed on the Agilent 8902A in [Table 10-84](#), column 2. Record the power ratio here:

Agilent 8902A reading at 50 MHz \_\_\_\_\_ dB

12. Set the Agilent 83650A CW to 150 MHz.
13. On the spectrum analyzer, press **FREQUENCY, CENTER FREQ, 150, MHz**.
14. On the Agilent 83650A, adjust the power level for a spectrum analyzer MKR amplitude reading of –10 dBm  $\pm$ 0.05 dB.
15. Record the negative of the power ratio displayed on the Agilent 8902A, in [Table 10-84](#), column 2.
16. On the Agilent 83650A, press **CW,  $\uparrow$** .

17. On the spectrum analyzer, press **FREQUENCY**,  $\uparrow$  to step through the remaining frequencies listed in [Table 10-84](#). At each new frequency, repeat steps 14 through 16, entering the power sensor calibration factors indicated in [Table 10-84](#) into the Agilent 8902A.

**NOTE**

It will be necessary to enter the last synthesized sweeper and spectrum analyzer frequency, 2.9 GHz, manually; the step functions will set the frequency to 2.95 GHz.

**Frequency Response, Band 1**

18. If the instrument has warmed up for 30 minutes or more and is in a 20 to 30 °C environment, Preselector Auto Peak is **not** necessary.
19. On the spectrum analyzer, press **FREQUENCY**, 2.95, **GHz**.
20. Set the Agilent 83650A CW to 2.95 GHz.
21. Press **AUX CTRL**, **INTERNAL MIXER**, **PRESEL AUTO PEAK**. Wait for the **PEAKING!** message to disappear.
22. On the Agilent 83650A, adjust the power level for a spectrum analyzer MKR amplitude reading of  $-10 \text{ dBm} \pm 0.05 \text{ dB}$ .
23. Record the negative of the power ratio displayed on the Agilent 8902A in [Table 10-85](#), column 2.
24. On the Agilent 83650A, press **CW**,  $\uparrow$ .
25. On the spectrum analyzer, press **FREQUENCY**,  $\uparrow$  to step through the remaining frequencies listed in [Table 10-85](#). At each new frequency, repeat steps 20 through 23, entering the power sensor calibration factors indicated in [Table 10-85](#) into the Agilent 8902A.

**Frequency Response, Band 2**

26. On the spectrum analyzer, press **FREQUENCY**, 6.5, **GHz**, **CF STEP**, 200, **MHz**.
27. Set the Agilent 83650A CW to 6.5 GHz and the **FREQ STEP** to 200 MHz.
28. Press **AUX CTRL**, **INTERNAL MIXER**, **PRESEL AUTO PEAK**. Wait for the **PEAKING!** message to disappear.
29. On the Agilent 83650A, adjust the power level for a spectrum analyzer MKR amplitude reading of  $-10 \text{ dBm} \pm 0.05 \text{ dB}$ .
30. Record the negative of the power ratio displayed on the Agilent 8902A in [Table 10-86](#) as the Agilent 8902A reading.
31. On the Agilent 83650A, press **CW**,  $\uparrow$ .

**41. Frequency Response: Agilent 8565E/EC**

32. On the spectrum analyzer, press **FREQUENCY**,  $\uparrow$  to step through the remaining frequencies listed in [Table 10-86](#). At each new frequency, repeat steps 27 through 29, entering the power sensor calibration factors indicated in [Table 10-86](#) into the Agilent 8902A.

---

**NOTE**

It will be necessary to enter the last synthesized sweeper and spectrum analyzer frequency, 13.2 GHz, manually; the step functions will set the frequency to 13.3 GHz.

---

**Frequency Response, Band 3**

33. On the spectrum analyzer, press **FREQUENCY**, 13.25, **GHz**.
34. Set the Agilent 83650A CW to 13.25 GHz.
35. Press **AUX CTRL, INTERNAL MIXER, PRESEL AUTO PEAK**. Wait for the **PEAKING!** message to disappear.
36. On the Agilent 83650A, adjust the power level for a spectrum analyzer MKR amplitude reading of  $-10 \text{ dBm} \pm 0.05 \text{ dB}$ .
37. Record the negative of the power ratio displayed on the Agilent 8902A in [Table 10-87](#) as the Agilent 8902A reading.
38. Set the Agilent 83650A CW and spectrum analyzer **CENTER FREQ** to 13.4 GHz. Repeat steps 34 through 36.
39. On the Agilent 83650A, press **CW**,  $\uparrow$ .
40. On the spectrum analyzer, press **FREQUENCY**,  $\uparrow$  to step through the remaining frequencies listed in [Table 10-87](#). At each new frequency, repeat steps 34 through 39, skipping step 37, entering the power sensor calibration factors indicated in [Table 10-87](#) into the Agilent 8902A.

**Frequency Response, Band 4**

41. On the spectrum analyzer, press **FREQUENCY**, 26.9, **GHz**, **CF STEP**, 300, **MHz**.
42. Set the Agilent 83650A CW to 26.9 GHz and the **FREQ STEP** to 300 MHz.
43. Press **AUX CTRL, INTERNAL MIXER, PRESEL AUTO PEAK**. Wait for the **PEAKING!** message to disappear.
44. On the Agilent 83650A, adjust the power level for a spectrum analyzer MKR amplitude reading of  $-10 \text{ dBm} \pm 0.05 \text{ dB}$ .
45. Record the negative of the power ratio displayed on the Agilent 8902A in [Table 10-88](#) as the Agilent 8902A reading.
46. On the Agilent 83650A, press **CW**,  $\uparrow$ .

47. On the spectrum analyzer, press **FREQUENCY**,  $\uparrow$  to step through the remaining frequencies listed in [Table 10-88](#). At each new frequency, repeat steps 42 through 45, entering the power sensor calibration factors indicated in [Table 10-88](#) into the Agilent 8902A.

#### Frequency Response, Band 5

48. On the spectrum analyzer, press **FREQUENCY**, 31.2, **GHz**, **CF STEP**, 400, **MHz**.
49. Set the Agilent 83650A CW to 31.20 GHz and the **FREQ STEP** to 400 MHz.
50. Press **AUX CTRL**, **INTERNAL MIXER**, **PRESEL AUTO PEAK**. Wait for the **PEAKING!** message to disappear.
51. On the Agilent 83650A, adjust the power level for a spectrum analyzer MKR amplitude reading of  $-10 \text{ dBm} \pm 0.05 \text{ dB}$ .
52. Record the negative of the power ratio displayed on the Agilent 8902A in [Table 10-89](#) as the Agilent 8902A reading.
53. On the Agilent 83650A, press **CW**,  $\uparrow$ .
54. On the spectrum analyzer, press **FREQUENCY**,  $\uparrow$ .
55. On the spectrum analyzer, press **FREQUENCY**,  $\uparrow$  to step through the remaining frequencies listed in [Table 10-89](#). At each new frequency, repeat steps 49 through 53, entering the power sensor calibration factors indicated in [Table 10-89](#) into the Agilent 8902A.

#### Frequency Response, Band 0 (<50 MHz)

56. Set the spectrum analyzer controls as follows:
- |                            |        |
|----------------------------|--------|
| Center frequency . . . . . | 50 MHz |
| Span . . . . .             | 100 Hz |
| Resolution BW . . . . .    | 10 Hz  |
| Marker . . . . .           | off    |
57. Connect the equipment as shown in [Figure 10-51](#) with the power sensor connected to the power splitter.
58. On the Agilent 3335A, set the controls as follows:
- |                               |         |
|-------------------------------|---------|
| Frequency . . . . .           | 50 MHz  |
| Amplitude . . . . .           | -4 dBm  |
| Amplitude increment . . . . . | 0.01 dB |
59. Enter the power sensor 50 MHz calibration factor into the Agilent 8902A.

**41. Frequency Response: Agilent 8565E/EC**

60. Adjust the Agilent 3335A AMPLITUDE until the Agilent 8902A display reads the same value as recorded in step 11. Record the Agilent 3335A amplitude here, and in [Table 10-90](#):

Agilent 3335A amplitude (50 MHz): \_\_\_\_\_ dBm

61. Replace the Agilent 8487A power sensor with the Agilent 85138B 50  $\Omega$  termination.
62. On the spectrum analyzer, press **PEAK SEARCH, MARKER DELTA**.
63. Set the spectrum analyzer CENTER FREQ and the Agilent 3335A FREQUENCY to the frequencies listed in [Table 10-90](#). Test at frequencies less than 9 kHz only if the analyzer is equipped with Option 006. At each frequency, adjust the Agilent 3335A amplitude for a  $\Delta$  MKR amplitude reading of  $0.00 \pm 0.05$  dB. Record the Agilent 3335A amplitude setting in [Table 10-90](#), column 2, as the Agilent 3335A amplitude.
64. For each of the frequencies listed in [Table 10-90](#), subtract the Agilent 3335A amplitude reading (column 2) from the Agilent 3335A amplitude (50 MHz) recorded in step 59. Record the results as the response relative to 50 MHz in [Table 10-90](#), column 3.
65. Add to each of the “response relative to 50 MHz” entries in [Table 10-90](#) the Agilent 8902A reading for 50 MHz listed in [Table 10-84](#). Record the results as the response relative to 300 MHz, in [Table 10-90](#), column 4.



### Test Results

#### 66. Frequency Response, Band 0

- a. Enter the most positive number from [Table 10-90](#), column 4. \_\_\_\_\_ dB
- b. Enter the most positive number from [Table 10-84](#), column 2. \_\_\_\_\_ dB
- c. Of (a) and (b), enter whichever number is *more* positive. \_\_\_\_\_ dB
- d. Enter the most negative number from [Table 10-90](#), column 4. \_\_\_\_\_ dB
- e. Enter the most negative number from [Table 10-84](#), column 2. \_\_\_\_\_ dB
- f. Of (d) and (e), enter whichever number is *more* negative. \_\_\_\_\_ dB
- g. Subtract (f) from (c). \_\_\_\_\_ dB

#### 67. Frequency Response, Band 1

- a. Enter the most positive number from [Table 10-85](#), column 2. \_\_\_\_\_ dB
- b. Enter the most negative number from [Table 10-85](#), column 2. \_\_\_\_\_ dB
- c. Subtract (b) from (a). \_\_\_\_\_ dB

#### 68. Frequency Response, Band 2

- a. Enter the most positive number from [Table 10-86](#), column 2. \_\_\_\_\_ dB
- b. Enter the most negative number from [Table 10-86](#), column 2. \_\_\_\_\_ dB
- c. Subtract (b) from (a). \_\_\_\_\_ dB

**41. Frequency Response: Agilent 8565E/EC**

69. Frequency Response, Band 3, 13.2 GHz to 22 GHz

- a. Enter the most positive number from [Table 10-87](#), column 2 for center frequencies less than or equal to 22 GHz. \_\_\_\_\_ dB
- b. Enter the most negative number from [Table 10-87](#), column 2 for center frequencies less than or equal to 22 GHz. \_\_\_\_\_ dB
- c. Subtract (b) from (a). \_\_\_\_\_ dB

70. Frequency Response, Band 3, 22 GHz to 26.8 GHz

- a. Enter the most positive number from [Table 10-87](#), column 2 for center frequencies greater than 22 GHz. \_\_\_\_\_ dB
- b. Enter the most negative number from [Table 10-87](#), column 2 for center frequencies greater than 22 GHz. \_\_\_\_\_ dB
- c. Subtract (b) from (a). \_\_\_\_\_ dB

71. Frequency Response, Band 3, 13.2 GHz to 26.8 GHz

- a. Enter the most positive number from 69 (a) and 70 (a). \_\_\_\_\_ dB
- b. Enter the most negative number from 69 (b) and 70 (b). \_\_\_\_\_ dB

72. Frequency Response, Band 4

- a. Enter the most positive number from [Table 10-88](#), column 2. \_\_\_\_\_ dB
- b. Enter the most negative number from [Table 10-88](#), column 2. \_\_\_\_\_ dB
- c. Subtract (b) from (a). \_\_\_\_\_ dB

73. Frequency Response, Band 5

- a. Enter the most positive number from [Table 10-89](#), column 2. \_\_\_\_\_ dB
- b. Enter the most negative number from [Table 10-89](#), column 2. \_\_\_\_\_ dB
- c. Subtract (b) from (a). \_\_\_\_\_ dB

### Frequency Response, Band 0, 100 MHz to 2.0 GHz

74. This step applies only to spectrum analyzers with serial number prefix 3641A or later. Enter the results of the frequency response, Band 0, for the frequency range 100 MHz to 2.0 GHz:
- a. Enter the most positive number from [Table 10-84](#), column \_\_\_\_\_ dB  
2, for center frequencies between 100 MHz and 2.0 GHz.
  - b. Enter the most negative number from [Table 10-84](#), column \_\_\_\_\_ dB  
2, for center frequencies between 100 MHz and 2.0 GHz.
  - c. Subtract (b) from (a). \_\_\_\_\_ dB

### Band Switching Uncertainty

75. In the top row of [Table 10-91](#), enter the values recorded in the indicated steps. For example, if step 68 (a) has a value of 1.22 dB, enter “1.22 dB” in the top row of the Band 3 column.
76. In the left column of [Table 10-91](#), enter the values recorded in the indicated steps. For example, if step 67 (b) has a value of -0.95 dB, enter “-0.95 dB” in the left column of the Band 2 row.
77. Compute the other entries in [Table 10-91](#) by taking the absolute value of the difference between the values in the left column and the top row.

## 41. Frequency Response: Agilent 8565E/EC

Table 10-84

Frequency Response, Band 0 ( $\geq 50$  MHz)

Column 1 Frequency (MHz)	Column 2 Agilent 8902A Reading (dB)	Column 3 Cal Factor Frequency (GHz)	Column 4 Measurement Uncertainty (dB)
50		0.05	+0.37/-0.41
150		0.05	+0.37/-0.41
250		0.05	+0.37/-0.41
350		0.05	+0.37/-0.41
450		0.05	+0.37/-0.41
550		0.05	+0.37/-0.41
650		0.05	+0.37/-0.41
750		0.05	+0.37/-0.41
850		0.05	+0.37/-0.41
950		0.05	+0.37/-0.41
1050		0.05	+0.37/-0.41
1150		2.0	+0.37/-0.41
1250		2.0	+0.37/-0.41
1350		2.0	+0.37/-0.41
1450		2.0	+0.37/-0.41
1550		2.0	+0.37/-0.41
1650		2.0	+0.37/-0.41
1750		2.0	+0.37/-0.41
1850		2.0	+0.37/-0.41
1950		2.0	+0.37/-0.41
2050		2.0	+0.37/-0.41
2150		2.0	+0.37/-0.41
2250		2.0	+0.37/-0.41
2350		2.0	+0.37/-0.41
2450		2.0	+0.37/-0.41
2550		2.0	+0.37/-0.41
2650		2.0	+0.37/-0.41
2750		2.0	+0.37/-0.41
2850		2.0	+0.37/-0.41
2900		2.0	+0.37/-0.41

**Table 10-85**      **Frequency Response, Band 1**

<b>Column 1 Frequency (GHz)</b>	<b>Column 2 Agilent 8902A Reading (dB)</b>	<b>Column 3 Cal Factor Frequency (GHz)</b>	<b>Column 4 Measurement Uncertainty (dB)</b>
2.95		2.0	+0.49/-0.55
3.05		4.0	+0.49/-0.55
3.15		4.0	+0.49/-0.55
3.25		4.0	+0.49/-0.55
3.35		4.0	+0.49/-0.55
3.45		4.0	+0.49/-0.55
3.55		4.0	+0.49/-0.55
3.65		4.0	+0.49/-0.55
3.75		4.0	+0.49/-0.55
3.85		4.0	+0.49/-0.55
3.95		4.0	+0.49/-0.55
4.05		4.0	+0.49/-0.55
4.15		4.0	+0.49/-0.55
4.25		4.0	+0.49/-0.55
4.35		4.0	+0.49/-0.55
4.45		4.0	+0.49/-0.55
4.55		4.0	+0.49/-0.55
4.65		4.0	+0.49/-0.55
4.75		4.0	+0.49/-0.55
4.85		4.0	+0.49/-0.55
4.95		4.0	+0.49/-0.55
5.05		6.0	+0.49/-0.55
5.15		6.0	+0.49/-0.55
5.25		6.0	+0.49/-0.55
5.35		6.0	+0.49/-0.55
5.45		6.0	+0.49/-0.55
5.55		6.0	+0.49/-0.55
5.65		6.0	+0.49/-0.55
5.75		6.0	+0.49/-0.55
5.85		6.0	+0.49/-0.55
5.95		6.0	+0.49/-0.55
6.05		6.0	+0.49/-0.55
6.15		6.0	+0.49/-0.55
6.25		6.0	+0.49/-0.55
6.35		6.0	+0.49/-0.55
6.45		6.0	+0.49/-0.55

## 41. Frequency Response: Agilent 8565E/EC

Table 10-86

## Frequency Response, Band 2

Column 1 Frequency (GHz)	Column 2 Agilent 8902A Reading (dB)	Column 3 Cal Factor Frequency (GHz)	Column 4 Measurement Uncertainty (dB)
6.5		6.0	+0.49/-0.56
6.7		6.0	+0.49/-0.56
6.9		6.0	+0.49/-0.56
7.1		8.0	+0.49/-0.56
7.3		8.0	+0.49/-0.56
7.5		8.0	+0.49/-0.56
7.7		8.0	+0.49/-0.56
7.9		8.0	+0.49/-0.56
8.1		8.0	+0.49/-0.56
8.3		8.0	+0.49/-0.56
8.5		8.0	+0.49/-0.56
8.7		8.0	+0.49/-0.56
8.9		8.0	+0.49/-0.56
9.1		10.0	+0.49/-0.56
9.3		10.0	+0.49/-0.56
9.5		10.0	+0.49/-0.56
9.7		10.0	+0.49/-0.56
9.9		10.0	+0.49/-0.56
10.1		10.0	+0.49/-0.56
10.3		10.0	+0.49/-0.56
10.5		10.0	+0.49/-0.56
10.7		10.0	+0.49/-0.56
10.9		10.0	+0.49/-0.56
11.1		12.0	+0.49/-0.56
11.3		12.0	+0.49/-0.56
11.5		12.0	+0.49/-0.56
11.7		12.0	+0.49/-0.56
11.9		12.0	+0.49/-0.56
12.1		12.0	+0.49/-0.56
12.3		12.0	+0.49/-0.56
12.5		12.0	+0.49/-0.56
12.7		12.0	+0.49/-0.56
12.9		12.0	+0.49/-0.56
13.1		14.0	+0.49/-0.56
13.2		14.0	+0.49/-0.56

**Table 10-87**      **Frequency Response, Band 3**

<b>Column 1 Frequency (GHz)</b>	<b>Column 2 Agilent 8902A Reading (dB)</b>	<b>Column 3 Cal Factor Frequency (GHz)</b>	<b>Column 4 Measurement Uncertainty (dB)</b>
13.25		14.0	+0.53/–0.60
13.4		14.0	+0.53/–0.60
13.6		14.0	+0.53/–0.60
13.8		14.0	+0.53/–0.60
14.0		14.0	+0.53/–0.60
14.2		14.0	+0.53/–0.60
14.4		14.0	+0.53/–0.60
14.6		14.0	+0.53/–0.60
14.8		14.0	+0.53/–0.60
15.0		14.0	+0.53/–0.60
15.2		16.0	+0.53/–0.60
15.4		16.0	+0.53/–0.60
15.6		16.0	+0.53/–0.60
15.8		16.0	+0.53/–0.60
16.0		16.0	+0.53/–0.60
16.2		16.0	+0.53/–0.60
16.4		16.0	+0.53/–0.60
16.6		16.0	+0.53/–0.60
16.8		16.0	+0.53/–0.60
17.0		16.0	+0.53/–0.60
17.2		18.0	+0.53/–0.60
17.4		18.0	+0.53/–0.60
17.6		18.0	+0.53/–0.60
17.8		18.0	+0.53/–0.60
18.0		18.0	+0.53/–0.60
18.2		18.0	+0.53/–0.60
18.4		18.0	+0.53/–0.60
18.6		18.0	+0.53/–0.60
18.8		18.0	+0.53/–0.60
19.0		18.0	+0.53/–0.60
19.2		20.0	+0.53/–0.60
19.4		20.0	+0.53/–0.60
19.6		20.0	+0.53/–0.60
19.8		20.0	+0.53/–0.60
20.0		20.0	+0.53/–0.60
20.2		20.0	+0.53/–0.60
20.4		20.0	+0.53/–0.60

## 41. Frequency Response: Agilent 8565E/EC

Table 10-87

## Frequency Response, Band 3 (Continued)

Column 1 Frequency (GHz)	Column 2 Agilent 8902A Reading (dB)	Column 3 Cal Factor Frequency (GHz)	Column 4 Measurement Uncertainty (dB)
20.6		20.0	+0.53/-0.60
20.8		20.0	+0.53/-0.60
21.0		20.0	+0.53/-0.60
21.2		21.0	+0.53/-0.60
21.4		21.0	+0.53/-0.60
21.6		21.0	+0.53/-0.60
21.8		21.0	+0.53/-0.60
22.0		22.0	+0.53/-0.60
22.2		22.0	+0.53/-0.60
22.4		22.0	+0.53/-0.60
22.6		22.0	+0.53/-0.60
22.8		22.0	+0.53/-0.60
23.0		22.0	+0.53/-0.60
23.2		24.0	+0.53/-0.60
23.4		24.0	+0.53/-0.60
23.6		24.0	+0.53/-0.60
23.8		24.0	+0.53/-0.60
24.0		24.0	+0.53/-0.60
24.2		24.0	+0.53/-0.60
24.4		24.0	+0.53/-0.60
24.6		24.0	+0.53/-0.60
24.8		24.0	+0.53/-0.60
25.0		24.0	+0.53/-0.60
25.2		26.0	+0.53/-0.60
25.4		26.0	+0.53/-0.60
25.6		26.0	+0.53/-0.60
25.8		26.0	+0.53/-0.60
26.0		26.0	+0.53/-0.60
26.2		26.0	+0.53/-0.60
26.4		26.5	+0.53/-0.60
26.6		26.5	+0.53/-0.60
26.8		27.0	+0.53/-0.60



**Table 10-88**      **Frequency Response, Band 4**

<b>Column 1 Frequency (GHz)</b>	<b>Column 2 Agilent 8902A Reading (dB)</b>	<b>Column 3 Cal Factor Frequency (GHz)</b>	<b>Column 4 Measurement Uncertainty (dB)</b>
26.9		27.0	+0.74/–0.89
27.2		27.0	+0.74/–0.89
27.5		28.0	+0.74/–0.89
27.8		28.0	+0.74/–0.89
28.1		28.0	+0.74/–0.89
28.4		28.0	+0.74/–0.89
28.7		29.0	+0.74/–0.89
29.0		29.0	+0.74/–0.89
29.3		29.0	+0.74/–0.89
29.6		30.0	+0.74/–0.89
29.9		30.0	+0.74/–0.89
30.2		30.0	+0.74/–0.89
30.5		31.0	+0.74/–0.89
30.8		31.0	+0.74/–0.89
31.1		31.0	+0.74/–0.89

## 41. Frequency Response: Agilent 8565E/EC

Table 10-89

## Frequency Response, Band 5

Column 1 Frequency (GHz)	Column 2 Agilent 8902A Reading (dB)	Column 3 Cal Factor Frequency (GHz)	Column 4 Measurement Uncertainty (dB)
31.2		31.0	+0.74/-0.89
31.6		32.0	+0.74/-0.89
32.0		32.0	+0.74/-0.89
32.4		32.0	+0.74/-0.89
32.8		33.0	+0.74/-0.89
33.2		33.0	+0.74/-0.89
33.6		34.0	+0.74/-0.89
34.0		34.0	+0.74/-0.89
34.4		34.0	+0.74/-0.89
34.8		35.0	+0.74/-0.89
35.2		35.0	+0.74/-0.89
35.6		36.0	+0.74/-0.89
36.0		36.0	+0.74/-0.89
36.4		36.0	+0.74/-0.89
36.8		37.0	+0.74/-0.89
37.2		37.0	+0.74/-0.89
37.6		38.0	+0.74/-0.89
38.0		38.0	+0.74/-0.89
38.4		38.0	+0.74/-0.89
38.8		39.0	+0.74/-0.89
39.2		39.0	+0.74/-0.89
39.6		40.0	+0.74/-0.89
40.0		40.0	+0.74/-0.89
40.4		40.0	+0.74/-0.89
40.8		41.0	+0.74/-0.89
41.2		41.0	+0.74/-0.89
41.6		42.0	+0.74/-0.89

**Table 10-89**      **Frequency Response, Band 5 (Continued)**

<b>Column 1 Frequency (GHz)</b>	<b>Column 2 Agilent 8902A Reading (dB)</b>	<b>Column 3 Cal Factor Frequency (GHz)</b>	<b>Column 4 Measurement Uncertainty (dB)</b>
42.0		42.0	+0.74/–0.89
42.4		42.0	+0.91/–1.16
42.8		43.0	+0.91/–1.16
43.2		43.0	+0.91/–1.16
43.6		44.0	+0.91/–1.16
44.0		44.0	+0.91/–1.16
44.4		44.0	+0.91/–1.16
44.8		45.0	+0.91/–1.16
45.2		45.0	+0.91/–1.16
45.6		46.0	+0.91/–1.16
46.0		46.0	+0.91/–1.16
46.4		46.0	+0.91/–1.16
46.8		47.0	+0.91/–1.16
47.2		47.0	+0.91/–1.16
47.6		48.0	+0.91/–1.16
48.0		48.0	+0.91/–1.16
48.4		48.0	+0.91/–1.16
48.8		49.0	+0.91/–1.16
49.2		49.0	+0.91/–1.16
49.6		50.0	+0.91/–1.16
50.0		50.0	+0.91/–1.16

**41. Frequency Response: Agilent 8565E/EC****Table 10-90****Frequency Response, Band 0 (<50 MHz)**

<b>Column 1 Frequency</b>	<b>Column 2 Agilent 3335A Amplitude (dBm)</b>	<b>Column 3 Response Relative to 50 MHz</b>	<b>Column 4 Response Relative to 300 MHz</b>	<b>Column 5 Measurement Uncertainty (dB)</b>
50 MHz		0 (Ref.)		+0.27/–0.28
20 MHz				+0.27/–0.28
10 MHz				+0.27/–0.28
1 MHz				+0.27/–0.28
100 kHz				+0.27/–0.28
9 kHz				+0.27/–0.28
1 kHz*				+0.27/–0.28
500 Hz*				+0.27/–0.28
200 Hz*				+0.27/–0.28
*These measurements apply only to analyzers equipped with Option 006.				

**Table 10-91 Band Switching Uncertainty**

	<b>Band 0</b> Step 65c _____	<b>Band 1</b> Step 66a _____	<b>Band 2</b> Step 67a _____	<b>Band 3</b> <22 GHz Step 68a _____	<b>Band 3</b> >22 GHz Step 69a _____	<b>Band 4</b> Step 71a _____	<b>Band 5</b> Step 72a _____
<b>Band 0</b> Step 65f _____	N/A	_____	_____	_____	_____	_____	_____
<b>Band 1</b> Step 66b _____	_____	N/A	_____	_____	_____	_____	_____
<b>Band 2</b> Step 67b _____	_____	_____	N/A	_____	_____	_____	_____
<b>Band 3</b> <22 GHz Step 68b _____	_____	_____	_____	N/A	_____	_____	_____
<b>Band 3</b> >22 GHz Step 69b _____	_____	_____	_____	_____	N/A	_____	_____
<b>Band 4</b> Step 71b _____	_____	_____	_____	_____	_____	N/A	_____
<b>Band 5</b> Step 72b _____	_____	_____	_____	_____	_____	_____	N/A

## 42. Frequency Span Accuracy

### Instrument Under Test

8560 E-Series and EC-Series

### Related Specification

Frequency Span Accuracy

### Related Adjustment

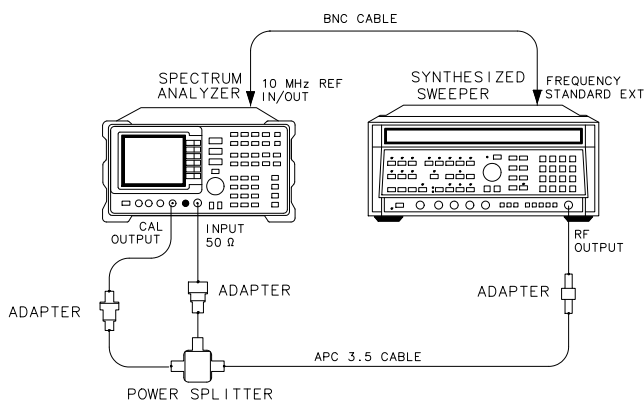
YTO Adjustment

### Description

The spectrum analyzer CAL OUTPUT and a synthesized sweeper provide two input signals of known frequencies to the input of the spectrum analyzer. The synthesized sweeper signal is locked to the spectrum analyzer. The marker functions are used to measure the separation between the two signals. The percent error between the measured frequency separation and the span is calculated and recorded.

Figure 10-52

Frequency Span Accuracy Test Setup



dp115e

### Equipment

- Synthesized sweeper ..... Agilent 8340A/B
- Power splitter ..... Agilent 11667B

**Adapters**

Type N (m) to APC 3.5 (m) . . . . .	1250-1743
APC 3.5 (f) to APC 3.5 (f) . . . . .	5061-5311
BNC (f) to SMA (m). . . . .	1250-1200
Type N (f) to 2.4 mm (m) . . . . .	Agilent 11903B
<i>(for Agilent 8564E/EC and Agilent 8565E/EC)</i>	

**Cables**

BNC, 122 cm (48 in.) (2 required) . . . . .	Agilent 10503A
APC 3.5, 91 cm (36 in.) . . . . .	8120-4921

**Procedure**

1. Connect the equipment as shown in [Figure 10-52](#). The spectrum analyzer provides the frequency reference for the synthesized sweeper.
2. Press **INSTR PRESET** on the synthesized sweeper, then set the controls as follows:
  - CW frequency . . . . . 300.0008 MHz
  - Power level . . . . . –15 dBm
  - RF power . . . . . on
  - Frequency standard switch (rear panel). . . . . EXT
3. Press **PRESET** on the spectrum analyzer, then set the controls as follows:
  - Center frequency . . . . . 300.0004 MHz
  - Span . . . . . 1 kHz
  - Reference level . . . . . –10 dBm
4. On the spectrum analyzer, press **SGL SWP** and wait for the completion of a new sweep, then press **PEAK SEARCH, MARKER DELTA, NEXT PEAK**. The active and anchor markers should be on the signals near the second and tenth graticule lines (the left most graticule is the first graticule line on the display).
5. Record the  $\Delta$  MKR frequency displayed on the spectrum analyzer in [Table 10-92](#).
6. Calculate the span accuracy as shown below and record the result in [Table 10-92](#).
 
$$\text{Span accuracy} = 100 \times (\Delta\text{MKR frequency} - (0.8 \times \text{SPAN})) / (0.8 \times \text{Span})$$
7. On the spectrum analyzer, press **MKR, MARKERS OFF**.

**42. Frequency Span Accuracy**

8. Repeat steps 4 through 7 for the remaining spectrum analyzer SPAN and CENTER FREQ and Agilent 8340A/B CW settings listed in [Table 10-92](#).

**Table 10-92 Frequency Span Accuracy**

Agilent 8340A/B Frequency (MHz)	Spectrum Analyzer Center Frequency (MHz)	Spectrum Analyzer Span	$\Delta$ MKR Frequency	Span Accuracy (%)	Measurement Uncertainty (%)
300.0008	300.0004	1 kHz			$\pm 0.24$
300.0016	300.0008	2 kHz			$\pm 0.24$
300.004	300.002	5 kHz			$\pm 0.24$
300.008	300.004	10 kHz			$\pm 0.24$
300.016	300.008	20 kHz			$\pm 0.24$
300.04	300.02	50 kHz			$\pm 0.24$
300.08	300.04	100 kHz			$\pm 0.24$
300.16	300.08	200 kHz			$\pm 0.24$
300.4	300.2	500 kHz			$\pm 0.24$
300.8	300.4	1 MHz			$\pm 0.24$
301.6	300.8	2 MHz			$\pm 0.24$
304.0	302.0	5 MHz			$\pm 0.24$
308.0	304.0	10 MHz			$\pm 0.24$
316.0	308.0	20 MHz			$\pm 0.24$
340.0	320.0	50 MHz			$\pm 0.24$
380.0	340.0	100 MHz			$\pm 0.24$
460.0	380.0	200 MHz			$\pm 0.24$
700.0	500.0	500 MHz			$\pm 0.24$
1100.0	700.0	1 GHz			$\pm 0.24$
1900.0	1100.0	2 GHz			$\pm 0.24$



## 43. Third Order Intermodulation Distortion: 8560E/EC

### Instrument Under Test

8560E/EC

### Related Specification

Third Order Intermodulation Distortion

### Related Adjustment

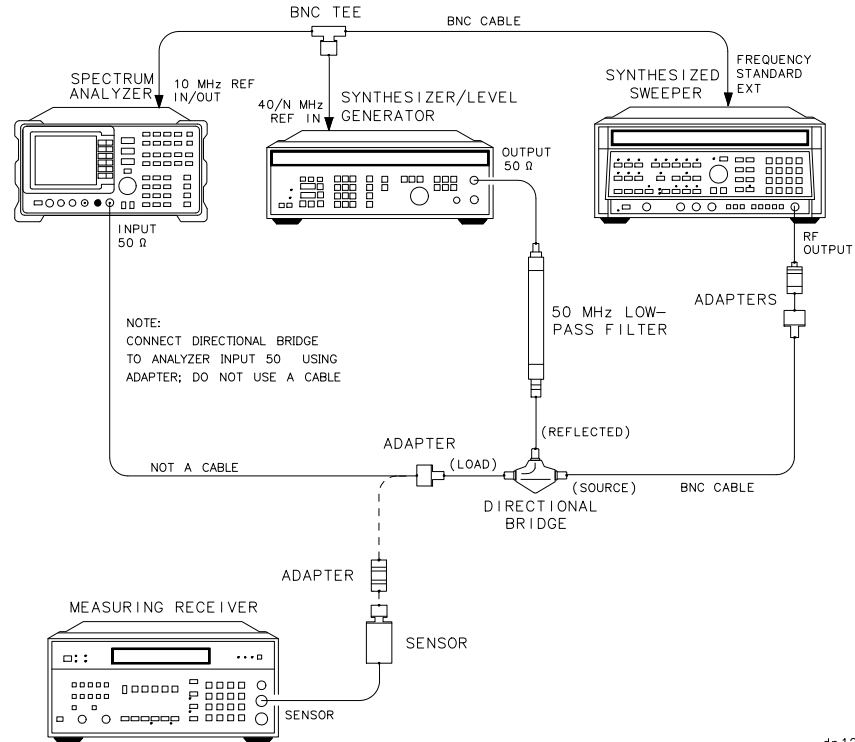
1st LO Distribution Amplifier Adjustment

### Description

Two synthesized sources provide the signals required for measuring third order intermodulation distortion. A filter is used to attenuate the second harmonic of the signal closest to the distortion product being measured. The spectrum analyzer provides the 10 MHz reference for the synthesized sources.

Figure 10-53

### Third Order Intermodulation Test Setup



**Equipment**

Synthesizer/level generator .....	Agilent 3335A
Synthesized sweeper .....	Agilent 8340A/B
Measuring receiver .....	Agilent 8902A
Power sensor .....	Agilent 8482A
Directional bridge .....	Agilent 8721A
50 MHz low-pass filter .....	0955-0306

**Adapters**

Type N (f) to APC 3.5 (f) .....	1250-1745
Type N (m) to BNC (m) .....	1250-1473
Type N (f) to type N (f) .....	1250-1472
BNC tee (m) (f) (f) .....	1250-0781

**Cable**

BNC, 122 cm (48 in.) (4 required) .....	Agilent 10503A
---	----------------

**Procedure**

1. Connect the equipment as shown in [Figure 10-53](#), but do not connect the directional bridge to the spectrum analyzer.
2. Set the Agilent 3335A as follows:
 

Frequency .....	45 MHz
Amplitude .....	-14 dB
Amplitude increment .....	0.05 dB
Output .....	50 $\Omega$
3. Press **PRESET** on the Agilent 8340A/B and set the controls as follows:
 

CW frequency .....	45.05 MHz
Power level .....	-110 dBm
Modulation .....	off
RF power .....	off
Frequency standard switch (rear panel) .....	.EXT

## 43. Third Order Intermodulation Distortion: 8560E/EC

4. On the Agilent 8902A, set the controls as follows:

FUNCTION..... RF POWER

LOG/LIN..... LOG

5. Press **PRESET** on the spectrum analyzer. Set the controls as follows:

Center frequency ..... 45.0 MHz

Center frequency step ..... 50 kHz

Span..... 1 kHz

Reference level ..... -20 dBm

Resolution BW ..... 10 Hz

6. Zero the Agilent 8902A/Agilent 8482A combination and calibrate the Agilent 8482A at 50 MHz as described in the Agilent 8902A Operation Manual.
7. Connect the power sensor to the output of the directional bridge using an adapter; do not use a cable.
8. Press **AMPLITUDE** on the Agilent 3335A and use the INCR keys to adjust the amplitude for a  $-20 \text{ dBm} \pm 0.1 \text{ dB}$  reading on the Agilent 8902A display.
9. Disconnect the power sensor from the directional bridge. Connect the directional bridge directly to the spectrum analyzer input using an adapter, not a cable.
10. On the spectrum analyzer, press **PEAK SEARCH, MKR** →, **MARKER** → **REF LVL**. Wait for completion of a new sweep. Press **MKR, MARKER DELTA, FREQUENCY**, ↑.
11. On the Agilent 8340A/B, press **RF, ON, POWER LEVEL, -14, dBm**.
12. On the spectrum analyzer, press **PEAK SEARCH**.
13. On the Agilent 8340A/B, adjust the power level for a  $\Delta\text{MKR}$  amplitude reading of  $0 \text{ dB} \pm 0.17 \text{ dB}$  on the spectrum analyzer.
14. On the spectrum analyzer, press **MKR, MARKER NORMAL, PEAK SEARCH, MARKER DELTA, FREQUENCY**, ↓, ↓. Wait for completion of a new sweep. Press **PEAK SEARCH**.
15. Record the spectrum analyzer  $\Delta\text{MKR}$  amplitude reading below as the lower product suppression.
- Lower product suppression \_\_\_\_\_ dBc
16. On the Agilent 3335A, press **FREQUENCY, 45.05, MHz**.
17. On the Agilent 8340A/B, press **CW, 45, MHz**.
18. On the spectrum analyzer, press **FREQUENCY**, ↓, ↓, ↓. Wait for completion of a new sweep. Press **PEAK SEARCH**.

**43. Third Order Intermodulation Distortion: 8560E/EC**

19. Record the spectrum analyzer  $\Delta$ MKR amplitude reading below as the upper product suppression.

Upper product suppression \_\_\_\_\_ dBc

20. Between the upper and lower product suppressions recorded in steps 15 and 19 above, record the more positive suppression as the third order intermodulation distortion.

Third order intermodulation distortion \_\_\_\_\_ dBc

## 44. Third Order Intermodulation Distortion: Agilent 8561E/EC

### Instrument Under Test

Agilent 8561E/EC

### Related Specification

Third Order Intermodulation Distortion

### Related Adjustment

1st LO Distribution Amplifier Adjustment

### Description

Two synthesized sources provide the signals required for measuring third order intermodulation distortion. In the 30 Hz to 2.9 GHz band, a filter is used to attenuate the second harmonic of the signal closest to the distortion product being measured. A filter is not necessary in the preselected band. The spectrum analyzer provides the 10 MHz reference for the synthesized sources.

Figure 10-54

### Third Order Intermodulation Test Setup (<2.9 GHz)

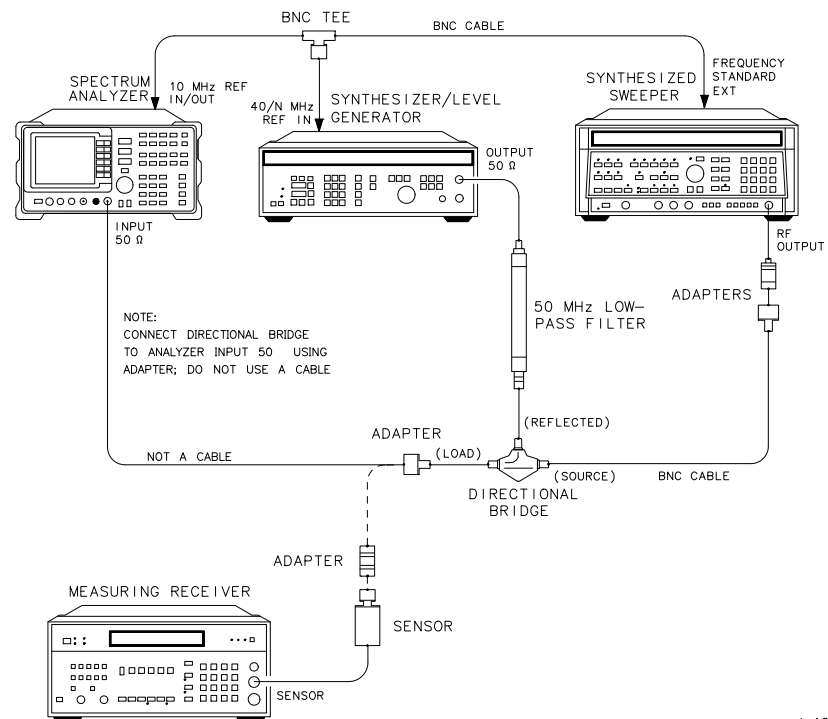
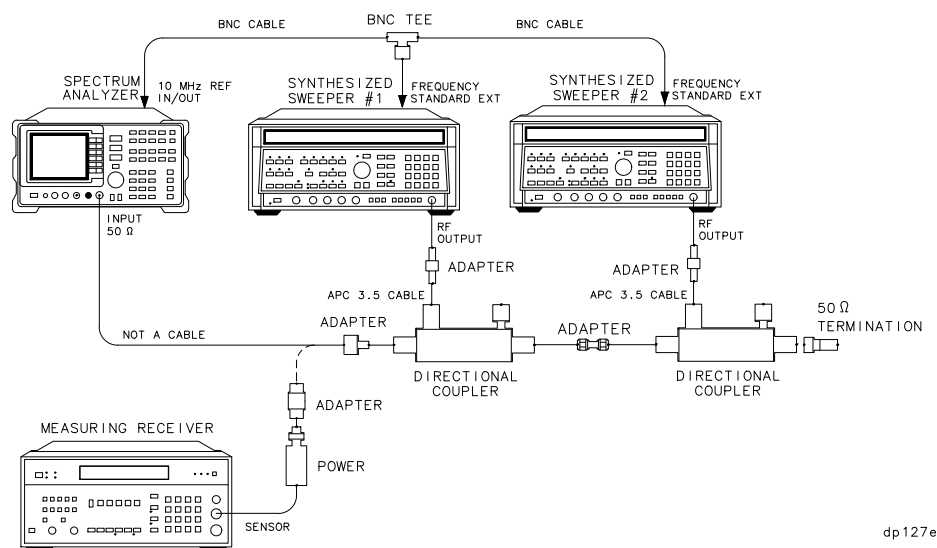


Figure 10-55

Third Order Intermodulation Test Setup (>2.9 GHz)



dp127e

### Equipment

Synthesizer/level generator .....	Agilent 3335A
Synthesized sweeper (2 required) .....	Agilent 8340A/B
Measuring receiver .....	Agilent 8902A
Power sensor .....	Agilent 8481A
Directional bridge .....	Agilent 8721A
Directional coupler (2 required) .....	0955-0098
50 MHz low-pass filter .....	0955-0306
50 $\Omega$ SMA termination .....	1810-0118

### Adapters

Type N (f) to APC 3.5 (f) .....	1250-1745
Type N (m) to BNC (m) .....	1250-1473
Type N (f) to type N (f) .....	1250-1472
Type N (m) to APC 3.5 (m) .....	1250-1743
APC 3.5 (f) to APC 3.5 (f) (2 required) .....	5061-5311
SMA (m) to SMA (m) .....	1250-1159
BNC tee (m) (f) (f) .....	1250-0781

**Cables**

BNC, 122 cm (48 in.) (4 required) . . . . .	Agilent 10503A
APC 3.5, 91 cm (36 in.) (2 required) . . . . .	8120-4291

**Procedure****Third Order Intermodulation (<2.9 GHz)**

1. Connect the equipment as shown in [Figure 10-54](#), but do not connect the directional bridge to the spectrum analyzer.
2. Set the Agilent 3335A controls as follows:
 

Frequency . . . . .	45 MHz
Amplitude . . . . .	–14 dB
Amplitude increment . . . . .	0.05 dB
Output . . . . .	50 $\Omega$
3. Press **INSTR PRESET** on the Agilent 8340A/B and set the controls as follows:
 

CW frequency . . . . .	45.05 MHz
Power level . . . . .	–110 dBm
Modulation . . . . .	off
RF power . . . . .	off
Frequency standard switch (rear panel) . . . . .	EXT
4. On the Agilent 8902A, set the controls as follows:
 

Function . . . . .	RF power
Log/linear . . . . .	Log
5. Press **PRESET** on the spectrum analyzer. Set the controls as follows:
 

Center frequency . . . . .	45.0 MHz
Center frequency step . . . . .	50 kHz
Span . . . . .	1 kHz
Reference level . . . . .	–20 dBm
Resolution BW . . . . .	10 Hz
6. Zero the Agilent 8902A/Agilent 8482A combination and calibrate the Agilent 8482A at 50 MHz as described in the Agilent 8902A Operation Manual.

**44. Third Order Intermodulation Distortion: Agilent 8561E/EC**

7. Connect the power sensor to the output of the directional bridge using an adapter; do not use a cable.
8. Press **AMPLITUDE** on the Agilent 3335A and use the INCR keys to adjust the amplitude for a  $-20 \text{ dBm} \pm 0.1 \text{ dB}$  reading on the Agilent 8902A display.
9. Disconnect the power sensor from the directional bridge. Connect the directional bridge directly to the spectrum analyzer input using an adapter, not a cable.
10. On the spectrum analyzer, press **PEAK SEARCH**, **MKR** →, **MARKER** → **REF LVL**. Wait for completion of a new sweep. Press **MKR**, **MARKER DELTA**, **FREQUENCY**, ↑.
11. On the Agilent 8340A/B, press **RF, ON, POWER LEVEL, -14, dBm**.
12. On the spectrum analyzer, press **PEAK SEARCH**.
13. On the Agilent 8340A/B, adjust the power level for a  $\Delta\text{MKR}$  amplitude reading of  $0 \text{ dB} \pm 0.17 \text{ dB}$  on the spectrum analyzer.
14. On the spectrum analyzer, press **MKR, MARKER NORMAL, PEAK SEARCH, MARKER DELTA, FREQUENCY**, ↓, ↓. Wait for completion of a new sweep. Press **PEAK SEARCH**.
15. Record the spectrum analyzer  $\Delta\text{MKR}$  amplitude reading below as the lower product suppression.

Lower product suppression \_\_\_\_\_ dBc

16. On the Agilent 3335A, press **FREQUENCY, 45.05, MHz**.
17. On the Agilent 8340A/B, press **CW, 45, MHz**.
18. On the spectrum analyzer, press **FREQUENCY**, ↑, ↑, ↑. Wait for completion of a new sweep. Press **PEAK SEARCH**.
19. Record the spectrum analyzer  $\Delta\text{MKR}$  amplitude reading below as the upper product suppression.

Upper product suppression \_\_\_\_\_ dBc

20. Between the upper and lower product suppressions recorded in steps 15 and 19 above, record the more positive suppression as the third order intermodulation distortion.

Third order  
intermodulation distortion \_\_\_\_\_ dBc



**Third Order Intermodulation (>2.9 GHz)**

21. Connect the equipment as shown in [Figure 10-55](#), but do not connect the directional coupler to the spectrum analyzer. The spectrum analyzer provides the 10 MHz reference to the synthesized sweepers.
22. On each Agilent 8340A/B, press **INSTR PRESET**. Set the controls as follows:
  - Power level . . . . . 0 dBm
  - Modulation . . . . . off
  - RF power . . . . . off
  - Frequency standard switch (Rear Panel) . . . . . EXT
23. On Agilent 8340A/B #1, press **CW, 5, GHz**.
24. On Agilent 8340A/B #2, press, **CW, 5.00005, GHz**.
25. Enter the power sensor 5 GHz calibration factor into the Agilent 8902A.
26. On the spectrum analyzer, press **PRESET, RECALL, MORE 1 OF 2, FACTORY PRSEL PK**. Set the controls as follows:
  - Center frequency . . . . . 5.0 GHz
  - Reference level . . . . . –15 dBm
  - Span . . . . . 10 kHz
  - Center frequency step . . . . . 50 kHz
  - Resolution BW . . . . . 300 Hz
  - Video average . . . . . off
27. Connect the power sensor to the directional coupler using an adapter; do not use a cable.
28. On Agilent 8340A/B #1, press **RF ON POWER LEVEL**. Adjust the power level for a –15 dBm  $\pm$ 0.1 dB reading on the Agilent 8902A display.
29. Disconnect the power sensor from the directional coupler. Connect the directional coupler to the spectrum analyzer INPUT 50  $\Omega$  using an adapter. Do not use a cable.
30. On the spectrum analyzer, press **PEAK SEARCH, AMPLITUDE, MORE 1 OF 3, MORE 2 OF 3, PRESEL AUTO PK**. Wait for the PEAKING message to disappear. Press **SPAN, 1, kHz, BW, 10, Hz**.
31. On the spectrum analyzer, press **PEAK SEARCH, MKR**  $\rightarrow$ , **MARKER**  $\rightarrow$  **REF LVL**. Wait for completion of a new sweep. Press **MKR, MARKER DELTA, FREQUENCY,  $\uparrow$** .
32. On Agilent 8340A/B #2, press **RF, ON, POWER LEVEL**.

**44. Third Order Intermodulation Distortion: Agilent 8561E/EC**

33. On the spectrum analyzer, press **PEAK SEARCH**.
34. On Agilent 8340A/B #2, adjust the power level for a  $\Delta$ MKR amplitude reading of 0.0 dB  $\pm$ 0.17 dB on the spectrum analyzer.
35. On the spectrum analyzer, press **MKR, MARKER NORMAL, PEAK SEARCH, MARKER DELTA, FREQUENCY**,  $\uparrow$ . Press **BW, VID AVG ON, 5, Hz, TRACE, CLEAR WRITE A**. Wait until VAVG 5 is displayed above the graticule.
36. Press **SGL SWP** and wait for completion of a new sweep. Press **PEAK SEARCH**. Record the spectrum analyzer  $\Delta$ MKR amplitude reading below as the upper product suppression.

Upper product suppression \_\_\_\_\_ dBc

37. On the spectrum analyzer, press **FREQUENCY**,  $\downarrow, \downarrow, \downarrow$ . Press **TRIG, SWEEP CONT, TRACE, CLEAR WRITE A**. Wait until VAVG 5 is displayed above the graticule.
38. Press **SGL SWP** and wait for completion of a new sweep. Press **PEAK SEARCH**. Record the spectrum analyzer  $\Delta$ MKR amplitude reading below as the lower product suppression.

Lower product suppression \_\_\_\_\_ dBc

39. Between the upper and lower product suppressions recorded in steps 36 and 38 above, record the more positive suppression as the uncorrected third order intermodulation distortion.

Uncorrected third order  
intermodulation distortion \_\_\_\_\_ dBc

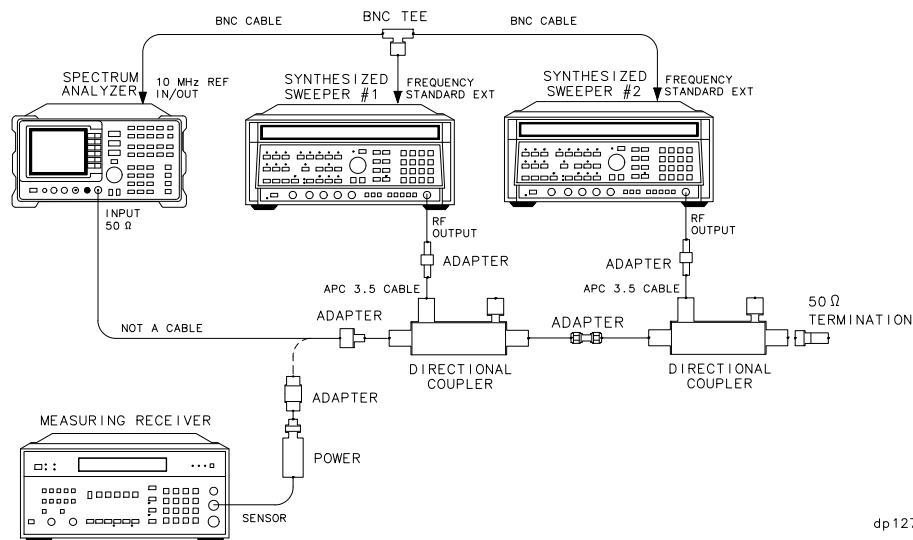
40. The uncorrected third order intermodulation distortion represents the distortion with  $-25$  dBm at the input mixer. The distortion products with  $-30$  dBm at the input mixer will be 10 dB lower than the distortion products measured. Subtract 10 dB from the uncorrected third order intermodulation distortion and record the result as the corrected third order intermodulation distortion.

Corrected third order  
intermodulation distortion \_\_\_\_\_ dBc



Figure 10-57

Third Order Intermodulation Test Setup (2.75 GHz to 6.5 GHz)



### Equipment

Synthesizer/level generator .....	Agilent 3335A
Synthesized sweeper (2 required) .....	Agilent 8340A/B
Measuring receiver .....	Agilent 8902A
Power sensor .....	Agilent 8481A
Directional bridge .....	Agilent 8721A
Directional coupler (2 required) .....	0955-0098
50 MHz low-pass filter .....	0955-0306
50 Ω SMA termination .....	1810-0118

### Adapters

Type N (f) to APC 3.5 (f) .....	1250-1745
Type N (m) to BNC (m) .....	1250-1473
Type N (f) to type N (f) .....	1250-1472
Type N (m) to APC 3.5 (m) .....	1250-1743
APC 3.5 (f) to APC 3.5 (f) (2 required) .....	5061-5311
SMA (m) to SMA (m) .....	1250-1159
BNC tee (m) (f) (f) .....	1250-0781

**45. Third Order Intermodulation Distortion: Agilent 8562E/EC, 8563E/EC****Cables**

BNC, 122 cm (48 in.) (4 required) . . . . .	Agilent 10503A
APC 3.5, 91 cm (36 in.) (2 required) . . . . .	8120-4291

**Procedure****Third Order Intermodulation (< 2.9 GHz)**

1. Connect the equipment as shown in [Figure 10-56](#), but do not connect the directional bridge to the spectrum analyzer.
2. Set the Agilent 3335A controls as follows:
 

Frequency . . . . .	45 MHz
Amplitude . . . . .	-14 dBm
Amplitude increment . . . . .	0.05 dB
Output . . . . .	50 $\Omega$
3. Press **INSTR PRESET** on the Agilent 8340A/B and set the controls as follows:
 

CW frequency . . . . .	45.05 MHz
Power level . . . . .	-110 dBm
Modulation . . . . .	off
RF power . . . . .	off
Frequency standard switch (rear panel) . . . . .	EXT
4. On the Agilent 8902A, set the controls as follows:
 

Function . . . . .	RF power
Log/linear . . . . .	Log
5. Press **PRESET** on the spectrum analyzer. Set the controls as follows:
 

Center frequency . . . . .	45.0 MHz
Center frequency step . . . . .	50 kHz
Span . . . . .	1 kHz
Reference level . . . . .	-20 dBm
Resolution BW . . . . .	10 Hz
6. Zero the Agilent 8902A/Agilent 8481A combination and calibrate the Agilent 8481A at 50 MHz as described in the Agilent 8902A Operation Manual.

**45. Third Order Intermodulation Distortion: Agilent 8562E/EC, 8563E/EC**

7. Connect the power sensor to the output of the directional bridge using an adapter; do not use a cable.
8. Press **AMPLITUDE** on the Agilent 3335A and use the INCR keys to adjust the amplitude for a  $-20 \text{ dBm} \pm 0.1 \text{ dB}$  reading on the Agilent 8902A display.
9. Disconnect the power sensor from the directional bridge. Connect the directional bridge directly to the spectrum analyzer input using an adapter, not a cable.
10. On the spectrum analyzer, press **PEAK SEARCH**, **MKR** →, **MARKER** → **REF LVL**. Wait for completion of a new sweep. Press **MKR**, **MARKER DELTA**, **FREQUENCY**, ↑.
11. On the Agilent 8340A/B, press **RF**, **ON**, **POWER LEVEL**,  $-14$ , **dBm**.
12. On the spectrum analyzer, press **PEAK SEARCH**.
13. On the Agilent 8340A/B, adjust the power level for a  $\Delta\text{MKR}$  amplitude reading of  $0 \text{ dB} \pm 0.17 \text{ dB}$  on the spectrum analyzer.
14. On the spectrum analyzer, press **MKR**, **MARKER NORMAL**, **PEAK SEARCH**, **MARKER DELTA**, **FREQUENCY**, ↓, ↓. Wait for completion of a new sweep. Press **PEAK SEARCH**.
15. Record the spectrum analyzer  $\Delta\text{MKR}$  amplitude reading below as the lower product suppression.

Lower product suppression \_\_\_\_\_ dBc

16. On the Agilent 3335A, press **FREQUENCY**,  $45.05$ , **MHz**.
17. On the Agilent 8340A/B, press **CW**,  $45$ , **MHz**.
18. On the spectrum analyzer, press **FREQUENCY**, ↑, ↑, ↑. Wait for completion of a new sweep. Press **PEAK SEARCH**.
19. Record the spectrum analyzer  $\Delta\text{MKR}$  amplitude reading below as the upper product suppression.

Upper product suppression \_\_\_\_\_ dBc

20. Between the upper and lower product suppressions recorded in steps 15 and 19 above, record the more positive suppression as the third order intermodulation distortion at 45 MHz.

Third order  
intermodulation distortion, 45 MHz \_\_\_\_\_ dBc

**Third Order Intermodulation (2.9 GHz to 6.46 GHz)**

21. Connect the equipment as shown in [Figure 10-57](#), but do not connect the directional coupler to the spectrum analyzer. The spectrum analyzer provides

**45. Third Order Intermodulation Distortion: Agilent 8562E/EC, 8563E/EC**

the 10 MHz reference to the synthesized sweepers.

22. On each Agilent 8340A/B, press **INSTR PRESET**. Set the controls as follows:
  - Power level .....0 dBm
  - Modulation .....off
  - RF power .....off
  - Frequency standard switch (Rear Panel)..... EXT
23. On Agilent 8340A/B #1, press **CW, 5, GHz**.
24. On Agilent 8340A/B #2, press **CW, 5.00005, GHz**.
25. Enter the power sensor 5 GHz calibration factor into the Agilent 8902A.
26. On the spectrum analyzer, press **PRESET, RECALL, MORE 1 OF 2, FACTORY PRESEL PK**. Set the controls as follows:
  - Center frequency ..... 5.0 GHz
  - Reference level .....-15 dBm
  - Span ..... 10 kHz
  - Center frequency step ..... 50 kHz
  - Resolution BW ..... 300 Hz
  - Video average .....off
27. Connect the power sensor to the directional coupler using an adapter; do not use a cable.
28. On Agilent 8340A/B #1, press **RF, ON, POWER LEVEL**. Adjust the power level for a  $-15 \text{ dBm} \pm 0.1 \text{ dB}$  reading on the Agilent 8902A display.
29. Disconnect the power sensor from the directional coupler. Connect the directional coupler to the spectrum analyzer INPUT  $50 \Omega$  using an adapter. Do not use a cable.
30. On the spectrum analyzer, press **PEAK SEARCH, AMPLITUDE, MORE 1 OF 3, MORE 2 OF 3, PRESEL AUTO PK**. Wait for the PEAKING message to disappear. Press **SPAN, 1, kHz, BW, 10, Hz**.
31. On the spectrum analyzer, press **PEAK SEARCH, MKR →, MARKER → REF LVL**. Wait for completion of a new sweep. Press **MKR, MARKER DELTA, FREQUENCY, ↑**.
32. On Agilent 8340A/B #2, press **RF, ON, POWER LEVEL**.
33. On the spectrum analyzer, press **PEAK SEARCH**.
34. On Agilent 8340A/B #2, adjust the power level for a  $\Delta \text{MKR}$  amplitude reading of  $0.0 \text{ dB} \pm 0.17 \text{ dB}$  on the spectrum analyzer.
35. On the spectrum analyzer, press **MKR, MARKER NORMAL, PEAK SEARCH,**

**45. Third Order Intermodulation Distortion: Agilent 8562E/EC, 8563E/EC**

**MARKER DELTA, FREQUENCY**, ↑. Press **BW, VID AVG ON, 5, Hz, TRACE, CLEAR WRITE A**. Wait until VAVG 5 is displayed above the graticule.

36. Press **SGL SWP** and wait for completion of a new sweep. Press **PEAK SEARCH**. Record the spectrum analyzer ΔMKR amplitude reading below as the upper product suppression.

Upper product suppression \_\_\_\_\_ dBc

37. On the spectrum analyzer, press **FREQUENCY**, ↓, ↓, ↓. Press **TRIG, SWEEP CONT, TRACE, CLEAR WRITE A**. Wait until VAVG 5 is displayed above the graticule.

38. Press **SGL SWP** and wait for completion of a new sweep. Press **PEAK SEARCH**. Record the spectrum analyzer ΔMKR amplitude reading below as the lower product suppression.

Lower product suppression \_\_\_\_\_ dBc

39. Between the upper and lower product suppressions recorded in steps 36 and 38 above, record the more positive suppression as the uncorrected third order intermodulation distortion.

Uncorrected third order  
intermodulation distortion \_\_\_\_\_ dBc

40. The uncorrected third order intermodulation distortion represents the distortion with –25 dBm at the input mixer. The distortion products with –30 dBm at the input mixer will be 10 dB lower than the distortion products measured. Subtract 10 dB from the uncorrected third order intermodulation distortion and record the result as the third order intermodulation distortion at 5 GHz.

Third order  
intermodulation distortion, 5 GHz \_\_\_\_\_ dBc

**Third Order Intermodulation (>6.46 GHz)**

41. On Agilent 8340A/B #1, press **CW, 8, GHz, POWER LEVEL, 0, dBm, RF, OFF**.
42. On Agilent 8340A/B #2, press **CW, 8.00005, GHz, POWER LEVEL, 0, dBm, RF, OFF**.
43. Enter the power sensor 8 GHz calibration factor into the Agilent 8902A.
44. On the spectrum analyzer, press **PRESET, RECALL, MORE 1 OF 2, FACTORY PRSEL PK**. Set the controls as follows:

Center frequency . . . . . 8.0 GHz

Reference level . . . . . –15 dBm



**45. Third Order Intermodulation Distortion: Agilent 8562E/EC, 8563E/EC**

Span . . . . . 10 kHz  
 Center frequency step . . . . . 50 kHz  
 Resolution BW . . . . . 300 Hz  
 Video average . . . . . off

45. Disconnect the directional coupler from the spectrum analyzer. Connect the power sensor to the directional coupler using an adapter; do not use a cable.
46. On Agilent 8340A/B #1, press **RF, ON, POWER LEVEL**. Adjust the power level for a  $-15 \text{ dBm} \pm 0.1 \text{ dB}$  reading on the Agilent 8902A display.
47. Disconnect the power sensor from the directional coupler. Connect the directional coupler to the spectrum analyzer INPUT  $50 \Omega$  using an adapter. Do not use a cable.
48. On the spectrum analyzer, press **PEAK SEARCH, AMPLITUDE, MORE 1 OF 3, MORE 2 OF 3, PRESEL AUTO PK**. Wait for the PEAKING message to disappear. Press **SPAN, 1, kHz BW, 10, Hz**.
49. On the spectrum analyzer, press **PEAK SEARCH, MKR →, MARKER → REF LVL**. Wait for completion of a new sweep. Press **MKR, MARKER DELTA, FREQUENCY, ↑**.
50. On Agilent 8340A/B #2, press **RF, ON, POWER LEVEL**.
51. On the spectrum analyzer, press **PEAK SEARCH**.
52. On Agilent 8340A/B #2, adjust the power level for a  $\Delta\text{MKR}$  amplitude reading of  $0.0 \text{ dB} \pm 0.17 \text{ dB}$  on the spectrum analyzer.
53. On the spectrum analyzer, press **MKR, MARKER NORMAL, PEAK SEARCH, MARKER DELTA, FREQUENCY, ↑**. Press **BW, VID AVG ON, 5, Hz, TRACE, CLEAR WRITE A**. Wait until VAVG 5 is displayed above the graticule.
54. Press **SGL SWP** and wait for completion of a new sweep. Press **PEAK SEARCH**. Record the spectrum analyzer  $\Delta\text{MKR}$  amplitude reading below as the upper product suppression.

Upper product suppression \_\_\_\_\_ dBc

55. On the spectrum analyzer, press **FREQUENCY, ↓, ↓, ↓**. Press **TRIG, SWEEP CONT, TRACE, CLEAR WRITE A**. Wait until VAVG 5 is displayed above the graticule.
56. Press **SGL SWP** and wait for completion of a new sweep. Press **PEAK SEARCH**. Record the spectrum analyzer  $\Delta\text{MKR}$  amplitude reading below as the lower product suppression.

Lower product suppression \_\_\_\_\_ dBc

57. Between the upper and lower product suppressions recorded in steps 53 and 56 above, record the more positive suppression as the uncorrected third order

**45. Third Order Intermodulation Distortion: Agilent 8562E/EC, 8563E/EC**

intermodulation distortion.

Uncorrected third order  
intermodulation distortion \_\_\_\_\_ dBc

58. Subtract 10 dB from the uncorrected third order intermodulation distortion and record the result as the third order intermodulation distortion at 8 GHz.

Third order  
intermodulation distortion, 8 GHz \_\_\_\_\_ dBc

## 46. Third Order Intermodulation Distortion: Agilent 8564E/EC, 8565E/EC

### Instrument Under Test

Agilent 8564E/EC

Agilent 8565E/EC

### Related Specification

Third Order Intermodulation Distortion

### Related Adjustment

1st LO Distribution Amplifier Adjustment

### Description

Two synthesized sources provide the signals required for measuring third order intermodulation distortion. In the 30 Hz to 2.9 GHz band, a filter is used to attenuate the second harmonic of the signal closest to the distortion product being measured. A filter is not necessary in the preselected bands. The spectrum analyzer provides the 10 MHz reference for the synthesized sources.

Figure 10-58

### Third Order Intermodulation Test Setup (50 Hz to 2.9 GHz)

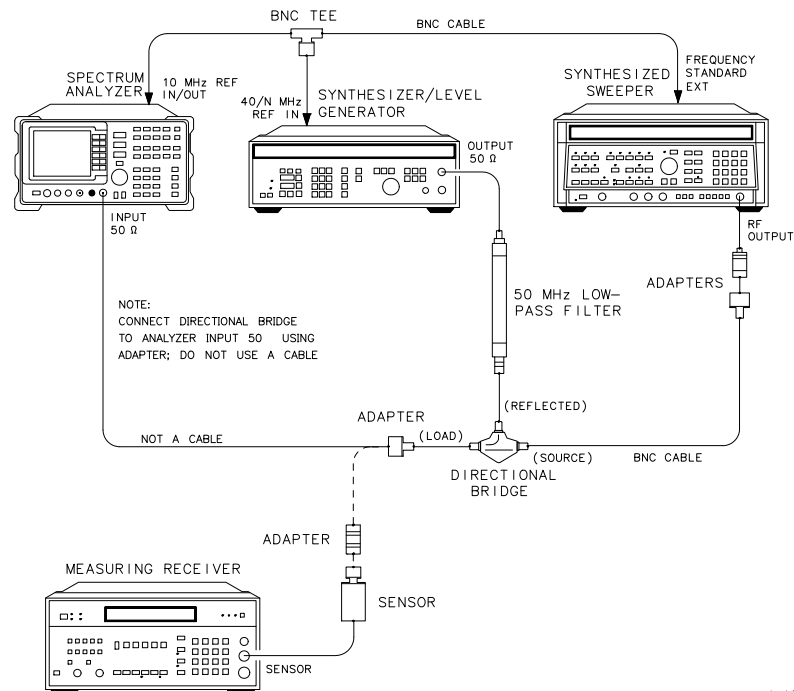
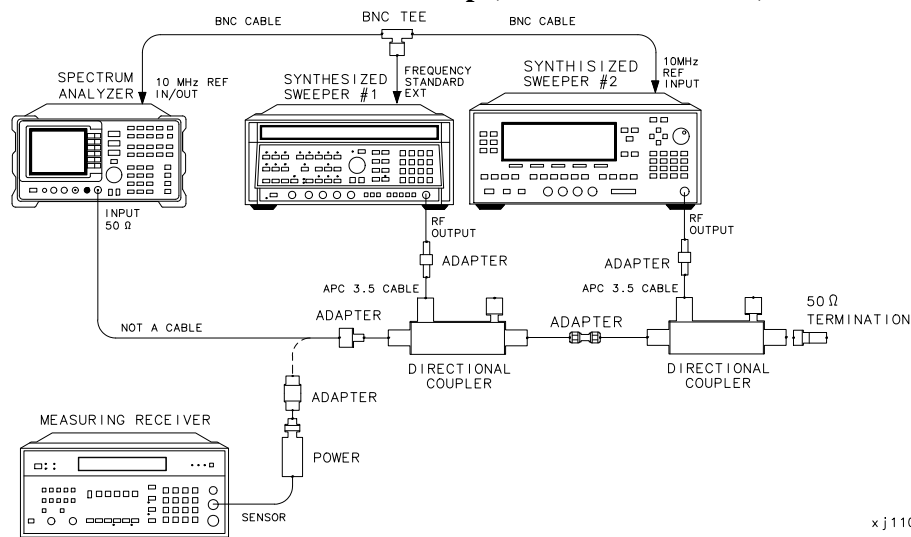


Figure 10-59

Third Order Intermodulation Test Setup (2.75 GHz to 6.5 GHz)



xj110e

### Equipment

Synthesizer/level generator .....	Agilent 3335A
Synthesized sweeper #1 .....	Agilent 8340A/B
Synthesized sweeper #2 .....	Agilent 83650A
Measuring receiver .....	Agilent 8902A
Power sensor .....	Agilent 8481A
Directional bridge .....	Agilent 8721A
Directional coupler (2 required) .....	0955-0098
50 MHz low-pass filter .....	0955-0306
50 Ω SMA termination .....	1810-0118

### Adapters

Type N (f) to APC 3.5 (f) .....	1250-1745
Type N (m) to BNC (m) .....	1250-1473
Type N (f) to type N (f) .....	1250-1472
Type N (m) to APC 3.5 (m) .....	1250-1743
APC 3.5 (f) to APC 3.5 (f) .....	5061-5311
SMA (m) to SMA (m) .....	1250-1159
BNC tee (m) (f) (f) .....	1250-0781
APC 3.5 (f) to 2.4 mm (f) .....	Agilent 11901B

**46. Third Order Intermodulation Distortion: Agilent 8564E/EC, 8565E/EC****Cables**

BNC, 122 cm (48 in.) (4 required) . . . . .	Agilent 10503A
APC 3.5, 91 cm (36 in.) (2 required) . . . . .	8120-4291

**Procedure****Third Order Intermodulation (< 2.9 GHz)**

1. Connect the equipment as shown in [Figure 10-58](#), but do not connect the directional bridge to the spectrum analyzer.
2. Set the Agilent 3335A controls as follows:
 

Frequency . . . . .	45 MHz
Amplitude . . . . .	-14 dBm
Amplitude increment . . . . .	0.05 dB
Output . . . . .	50 $\Omega$
3. Press **INSTR PRESET** on the Agilent 8340A/B and set the controls as follows:
 

CW frequency . . . . .	45.05 MHz
Power level . . . . .	-110 dBm
Modulation . . . . .	off
RF power . . . . .	off
Frequency standard switch (rear panel) . . . . .	EXT
4. On the Agilent 8902A, set the controls as follows:
 

Function . . . . .	RF power
Log/linear . . . . .	Log
5. Press **PRESET** on the spectrum analyzer. Set the controls as follows:
 

Center frequency . . . . .	45.0 MHz
Center frequency step . . . . .	50 kHz
Span . . . . .	1 kHz
Reference level . . . . .	-20 dBm
Resolution BW . . . . .	10 Hz

**46. Third Order Intermodulation Distortion: Agilent 8564E/EC, 8565E/EC**

6. Zero the Agilent 8902A/Agilent 8485A combination and calibrate the Agilent 8481A at 50 MHz as described in the Agilent 8902A Operation Manual.
7. Connect the power sensor to the output of the directional bridge using an adapter; do not use a cable.
8. Press **AMPLITUDE** on the Agilent 3335A and use the INCR keys to adjust the amplitude for a  $-20 \text{ dBm} \pm 0.1 \text{ dB}$  reading on the Agilent 8902A display.
9. Disconnect the power sensor from the directional bridge. Connect the directional bridge directly to the spectrum analyzer input using an adapter, not a cable.
10. On the spectrum analyzer, press **PEAK SEARCH**, **MKR** →, **MARKER** → **REF LVL**. Wait for completion of a new sweep. Press **MKR**, **MARKER DELTA**, **FREQUENCY**, ↑.
11. On the Agilent 8340A/B, press **RF**, **ON**, **POWER LEVEL**,  $-14$ , **dBm**.
12. On the spectrum analyzer, press **PEAK SEARCH**.
13. On the Agilent 8340A/B, adjust the power level for a  $\Delta\text{MKR}$  amplitude reading of  $0 \text{ dB} \pm 0.17 \text{ dB}$  on the spectrum analyzer.
14. On the spectrum analyzer, press **MKR**, **MARKER NORMAL**, **PEAK SEARCH**, **MARKER DELTA**, **FREQUENCY**, ↓, ↓. Wait for completion of a new sweep. Press **PEAK SEARCH**.
15. Record the spectrum analyzer  $\Delta\text{MKR}$  amplitude reading below as the lower product suppression.

Lower product suppression \_\_\_\_\_ dBc

16. On the Agilent 3335A, press **FREQUENCY**, 45.05, **MHz**.
17. On the Agilent 8340A/B, press **CW**, 45, **MHz**.
18. On the spectrum analyzer, press **FREQUENCY**, ↑, ↑, ↑. Wait for completion of a new sweep. Press **PEAK SEARCH**.
19. Record the spectrum analyzer  $\Delta\text{MKR}$  amplitude reading below as the upper product suppression.

Upper product suppression \_\_\_\_\_ dBc

20. Between the upper and lower product suppressions recorded in steps 15 and 19 above, record the more positive suppression as the third order intermodulation distortion at 45 MHz.

Third order  
intermodulation distortion, 45 MHz \_\_\_\_\_ dBc

**46. Third Order Intermodulation Distortion: Agilent 8564E/EC, 8565E/EC****Third Order Intermodulation (2.9 GHz to 6.46 GHz)**

21. Connect the equipment as shown in [Figure 10-59](#), but do not connect the directional coupler to the spectrum analyzer. The spectrum analyzer provides the 10 MHz reference to the synthesized sweepers.
22. On the Agilent 8340A/B, press **INSTR PRESET**. Set the controls as follows:
  - Power level .....0 dBm
  - Modulation .....off
  - RF power .....off
  - Frequency standard switch (Rear Panel)..... EXT
23. On the Agilent 83650A, press **PRESET**. Set the controls as follows:
  - Power level .....0 dBm
  - Modulation .....off
  - RF power .....off
24. On the Agilent 8340A/B, press **CW, 5, GHz**.
25. On the Agilent 83650A, press **CW, 5.00005, GHz**.
26. Enter the power sensor 5 GHz calibration factor into the Agilent 8902A.
27. On the spectrum analyzer, press **PRESET, RECALL, MORE 1 OF 2, FACTORY PRSEL PK**. Set the controls as follows:
  - Center frequency ..... 5.0 GHz
  - Reference level ..... –15 dBm
  - Span ..... 10 kHz
  - Center frequency step ..... 50 kHz
  - Resolution BW ..... 300 Hz
  - Video average .....off
28. Connect the power sensor to the directional coupler using an adapter; do not use a cable.
29. On the Agilent 8340A/B, press **RF, ON, POWER LEVEL**. Adjust the power level for a –15 dBm  $\pm$ 0.1 dB reading on the Agilent 8902A display.
30. Disconnect the power sensor from the directional coupler. Connect the directional coupler to the spectrum analyzer INPUT 50  $\Omega$  using an adapter. Do not use a cable.

**46. Third Order Intermodulation Distortion: Agilent 8564E/EC, 8565E/EC**

31. On the spectrum analyzer, press **PEAK SEARCH, AMPLITUDE, MORE 1 OF 3, MORE 2 OF 3, PRESEL AUTO PK**. Wait for the **PEAKING** message to disappear. Press **SPAN, 1, kHz, BW, 10, Hz**.
32. On the spectrum analyzer, press **PEAK SEARCH, MKR →, MARKER → REF LVL**. Wait for completion of a new sweep. Press **MKR, MARKER DELTA, FREQUENCY, ↑**.
33. On the Agilent 83650A, press **RF, ON, POWER LEVEL**.
34. On the spectrum analyzer, press **PEAK SEARCH**.
35. On the Agilent 83650A, adjust the power level for a  $\Delta$ MKR amplitude reading of  $0.0 \text{ dB} \pm 0.17 \text{ dB}$  on the spectrum analyzer.
36. On the spectrum analyzer, press **MKR, MARKER NORMAL, PEAK SEARCH, MARKER DELTA, FREQUENCY, ↑**. Press **BW, VID AVG ON, 5, Hz, TRACE, CLEAR WRITE A**. Wait until **VAVG 5** is displayed above the graticule.
37. Press **SGL SWP** and wait for completion of a new sweep. Press **PEAK SEARCH**. Record the spectrum analyzer  $\Delta$ MKR amplitude reading below as the upper product suppression.

Upper product suppression \_\_\_\_\_ dBc

38. On the spectrum analyzer, press **FREQUENCY, ↑, ↑, ↑**. Press **TRIG, SWEEP CONT, TRACE, CLEAR WRITE A**. Wait until **VAVG 5** is displayed above the graticule.
39. Press **SGL SWP** and wait for completion of a new sweep. Press **PEAK SEARCH**. Record the spectrum analyzer  $\Delta$ MKR amplitude reading below as the lower product suppression.

Lower product suppression \_\_\_\_\_ dBc

40. Between the upper and lower product suppressions recorded in steps 36 and 38 above, record the more positive suppression as the uncorrected third order intermodulation distortion.

Uncorrected third order intermodulation distortion \_\_\_\_\_ dBc

41. The uncorrected third order intermodulation distortion represents the distortion with  $-25 \text{ dBm}$  at the input mixer. The distortion products with  $-30 \text{ dBm}$  at the input mixer will be  $10 \text{ dB}$  lower than the distortion products measured. Subtract  $10 \text{ dB}$  from the uncorrected third order intermodulation distortion and record the result as the third order intermodulation distortion at  $5 \text{ GHz}$ .

Third order intermodulation distortion,  $5 \text{ GHz}$  \_\_\_\_\_ dBc

**Third Order Intermodulation (>6.46 GHz)**



**46. Third Order Intermodulation Distortion: Agilent 8564E/EC, 8565E/EC**

42. On the Agilent 8340A/B, press **CW, 8, GHz, POWER LEVEL, 0, dBm, RF, OFF**.
43. On the Agilent 83650A, press **CW, 8.00005, GHz, POWER LEVEL, 0, dBm, RF, OFF**.
44. Enter the power sensor 8 GHz calibration factor into the Agilent 8902A.
45. On the spectrum analyzer, press **PRESET, RECALL, MORE 1 OF 2, FACTORY PRSEL PK**. Set the controls as follows:
- |                                 |         |
|---------------------------------|---------|
| Center frequency . . . . .      | 8.0 GHz |
| Reference level . . . . .       | –15 dBm |
| Span . . . . .                  | 10 kHz  |
| Center frequency step . . . . . | 50 kHz  |
| Resolution BW . . . . .         | 300 Hz  |
| Video average . . . . .         | off     |
46. Disconnect the directional coupler from the spectrum analyzer. Connect the power sensor to the directional coupler using an adapter; do not use a cable.
47. On the HP 8340A/B, press **RF, ON, POWER LEVEL**. Adjust the power level for a  $-15 \text{ dBm} \pm 0.1 \text{ dB}$  reading on the Agilent 8902A display.
48. Disconnect the power sensor from the directional coupler. Connect the directional coupler to the spectrum analyzer INPUT  $50 \Omega$  using an adapter. Do not use a cable.
49. On the spectrum analyzer, press **PEAK SEARCH, AMPLITUDE, MORE 1 OF 3, MORE 2 OF 3, PRESEL AUTO PK**. Wait for the PEAKING message to disappear. Press **SPAN, 1, kHz, BW, 10, Hz**.
50. On the spectrum analyzer, press **PEAK SEARCH, MKR →, MARKER → REF LVL**. Wait for completion of a new sweep. Press **MKR, MARKER DELTA, FREQUENCY, ↑**.
51. On the Agilent 83650A, press **RF, ON, POWER LEVEL**.
52. On the spectrum analyzer, press **PEAK SEARCH**.
53. On the Agilent 83650A, adjust the power level for a  $\Delta\text{MKR}$  amplitude reading of  $0.0 \text{ dB} \pm 0.17 \text{ dB}$  on the spectrum analyzer.
54. On the spectrum analyzer, press **MKR, MARKER NORMAL, PEAK SEARCH, MARKER DELTA, FREQUENCY, ↑**. Press **BW, VID AVG ON, 5, Hz, TRACE, CLEAR WRITE A**. Wait until VAVG 5 is displayed above the graticule.
55. Press **SGL SWP** and wait for completion of a new sweep. Press **PEAK SEARCH**. Record the spectrum analyzer  $\Delta\text{MKR}$  amplitude reading

**46. Third Order Intermodulation Distortion: Agilent 8564E/EC, 8565E/EC**

below as the upper product suppression.

Upper product suppression \_\_\_\_\_ dBc

56. On the spectrum analyzer, press **FREQUENCY**,  $\downarrow$ ,  $\downarrow$ ,  $\downarrow$ . Press **TRIG**, **SWEEP CONT**, **TRACE**, **CLEAR WRITE A**. Wait until **VAVG 5** is displayed above the graticule.

57. Press **SGL SWP** and wait for completion of a new sweep. Press **PEAK SEARCH**. Record the spectrum analyzer  $\Delta$ MKR amplitude reading below as the lower product suppression.

Lower product suppression \_\_\_\_\_ dBc

58. Between the upper and lower product suppressions recorded in steps 53 and 56 above, record the more positive suppression as the uncorrected third order intermodulation distortion.

Uncorrected third order  
intermodulation distortion \_\_\_\_\_ dBc

59. Subtract 10 dB from the uncorrected third order intermodulation distortion and record the result as the third order intermodulation distortion at 8 GHz.

Third order  
intermodulation distortion, 8 GHz \_\_\_\_\_ dBc

## 47. Gain Compression: 8560E/EC

### Instrument Under Test

8560E/EC

### Related Specification

Gain Compression

### Related Adjustment

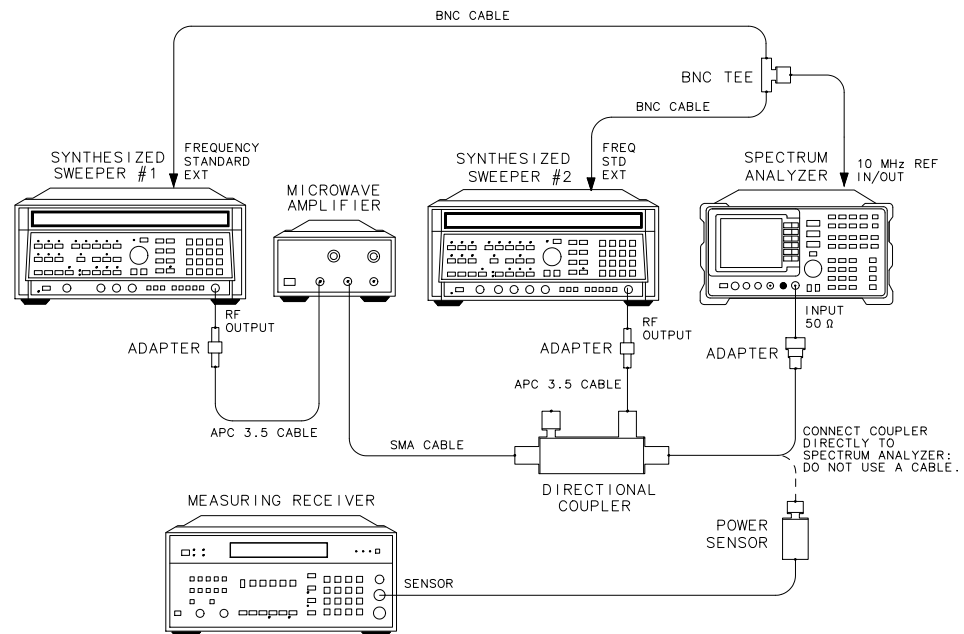
There is no related adjustment procedure for this performance test.

### Description

This test measures the analyzer gain compression using two signals that are 3 MHz apart. First the test places a  $-30$  dBm signal at the input of the spectrum analyzer (the analyzer reference level is also set to  $-30$  dBm). Then a  $+5$  dBm signal is input to the analyzer, over-driving its input. The decrease in the first signal amplitude (gain compression) caused by the second signal is the measured gain compression.

Figure 10-60

### Gain Compression Test Setup



dp116e

## Equipment

Synthesized sweeper (2 required) . . . . .	Agilent 8340A/B
Measuring receiver . . . . .	Agilent 8902A
Amplifier . . . . .	Agilent 11975A
Power sensor . . . . .	Agilent 8485A
Directional coupler . . . . .	0955-0098

### Adapters

APC 3.5 (f) to APC 3.5 (f) (2 required) . . . . .	5061-5311
Type N (m) to APC 3.5 (m) . . . . .	1250-1743
BNC tee (m) (f) (f) . . . . .	1250-0781

### Cables

BNC, 122 cm (48 in) (2 required) . . . . .	Agilent 10503A
APC 3.5, 91 cm (36 in) (3 required) . . . . .	8120-4921

## Procedure

1. Zero the Agilent 8902A and calibrate the Agilent 8485A power sensor as described in the Agilent 8902A Operation Manual. Enter the power sensor 2 GHz calibration factor into the Agilent 8902A.
2. Connect the equipment as shown in [Figure 10-60](#), with the output of the directional coupler connected to the Agilent 8485A power sensor.
3. On Agilent 8340A/B #2, press **INSTR PRESET**. Set the controls as follows:
 

CW frequency . . . . .	2.0 GHz
Power level . . . . .	-24 dBm
Frequency standard switch (rear panel) . . . . .	.EXT
4. On Agilent 8340A/B #1, press **INSTR PRESET**. Set the controls as follows:
 

CW frequency . . . . .	2.003 GHz
Power level . . . . .	+8 dBm
Frequency standard switch (rear panel) . . . . .	.EXT
5. On the spectrum analyzer, press **PRESET**, then set the controls as follows:
 

Center frequency . . . . .	2.0 GHz
Reference level . . . . .	-30 dBm

Span . . . . . 10 MHz

Resolution BW . . . . . 300 kHz

Log dB/division . . . . . 1 dB

6. Adjust the Agilent 11975A output power level for a +5 dBm  $\pm$ 0.01 dB reading on the Agilent 8902A display.
7. On Agilent 8340A/B #1, adjust the power level to  $-80$  dBm.
8. Remove the power sensor from the directional coupler. Connect the directional coupler to the spectrum analyzer INPUT  $50 \Omega$  using an adapter. Do not use a cable.
9. On Agilent 8340A/B #2, adjust the power level for a signal 1 dB below the spectrum analyzer reference level.
10. On the spectrum analyzer, press **PEAK SEARCH, MARKER DELTA**.
11. On Agilent 8340A/B #1, set the power level to +8 dBm.
12. On the spectrum analyzer, press **PEAK SEARCH, NEXT PEAK**. The active marker should be on the lower amplitude signal, not on the signal that is off the top of the screen. If it is not on the lower amplitude signal, reposition the marker to this peak, using the front-panel function knob. Read the  $\Delta$  MKR amplitude and record the value below:

Gain compression: \_\_\_\_\_ dB

(Measurement uncertainty:  $\pm$ 0.19 dB)

## 48. Gain Compression: Agilent 8561E/EC

### Instrument Under Test

Agilent 8561E/EC

### Related Specification

Gain Compression

### Related Adjustment

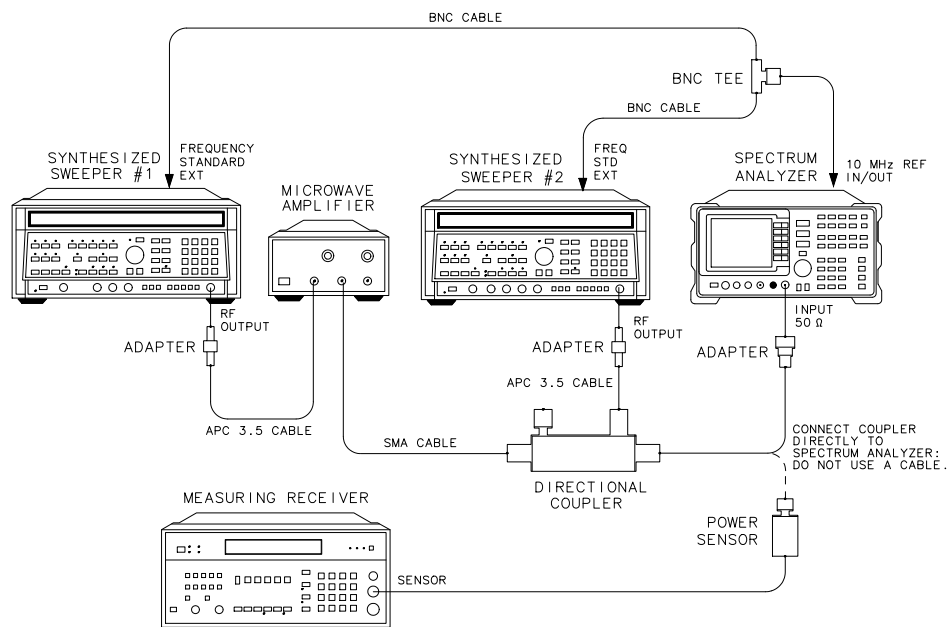
There is no related adjustment procedure for this performance test.

### Description

This test measures the analyzer gain compression using two signals that are 3 MHz apart. First the test places a  $-30$  dBm signal at the input of the spectrum analyzer (the analyzer reference level is also set to  $-30$  dBm). Then a  $+5$  dBm signal is input to the analyzer, overdriving its input. The decrease in the first signal amplitude (gain compression) caused by the second signal is the measured gain compression.

Figure 10-61

### Gain Compression Test Setup



dp116e

## Equipment

Synthesized sweeper (2 required) . . . . .	Agilent 8340A/B
Measuring receiver . . . . .	Agilent 8902A
Amplifier . . . . .	Agilent 11975A
Power sensor . . . . .	Agilent 8485A
Directional coupler . . . . .	0955-0098

### Adapters

APC 3.5 (f) to APC 3.5 (f) (2 required) . . . . .	5061-5311
Type N (m) to APC 3.5 (m) . . . . .	1250-1743
BNC tee (m) (f) (f) . . . . .	1250-0781

### Cables

BNC, 122 cm (48 in.) (2 required) . . . . .	Agilent 10503A
APC 3.5, 91 cm (36 in.) (3 required) . . . . .	8120-4921

## Procedure

### Gain Compression, Band 0 (<2.9 GHz)

1. Zero the Agilent 8902A and calibrate the Agilent 8485A power sensor as described in the Agilent 8902A Operation Manual. Enter the power sensor 2 GHz calibration factor into the Agilent 8902A.
2. Connect the equipment as shown in [Figure 10-61](#), with the output of the directional coupler connected to the Agilent 8485A power sensor.
3. On Agilent 8340A/B #2, press **INSTR PRESET**. Set the controls as follows:

CW frequency . . . . .	2.0 GHz
Power level . . . . .	-24 dBm
Frequency standard switch (rear panel). . . . .	EXT
4. On Agilent 8340A/B #1, press **INSTR PRESET**. Set the controls as follows:

CW frequency . . . . .	2.003 GHz
Power level . . . . .	+8 dBm
Frequency standard switch (rear panel). . . . .	EXT
5. On the spectrum analyzer, press **PRESET**.

**48. Gain Compression: Agilent 8561E/EC**

6. Set the controls as follows:

Center frequency . . . . . 2.0 GHz  
 Reference level . . . . . –30 dBm  
 Span . . . . . 10 MHz  
 Resolution BW . . . . . 300 kHz  
 Log dB/division . . . . . 1 dB

7. Adjust the Agilent 11975A Output Power Level for a +5 dBm  $\pm$ 0.01 dB reading on the Agilent 8902A display.
8. On Agilent 8340A/B #1, adjust the power level to –80 dBm.
9. Remove the power sensor from the directional coupler. Connect the directional coupler to the spectrum analyzer INPUT 50  $\Omega$  using an adapter. Do not use a cable.
10. On Agilent 8340A/B #2, adjust the power level for a signal 1 dB below the spectrum analyzer reference level.
11. On the spectrum analyzer, press **PEAK SEARCH, MARKER DELTA**.
12. On Agilent 8340A/B #1, set the power level to +8 dBm.
13. On the spectrum analyzer, press **PEAK SEARCH, NEXT PEAK**. The active marker should be on the lower amplitude signal, not on the signal that is off the top of the screen. If it is not on the lower amplitude signal, reposition the marker to this peak, using the front-panel function knob. Read the  $\Delta$  MKR amplitude. Record the  $\Delta$  MKR amplitude in [Table 10-93](#) as gain compression for Band 0.

**Gain Compression, Band 1 (>2.9 GHz)**

14. Set the spectrum analyzer, Agilent 8340A/B #1, and Agilent 8340A/B #2 to the frequencies indicated in [Table 10-93](#) for Band 1.
15. Set the amplitude of Agilent 8340A/B #2 to –24 dBm.
16. Enter the power sensor calibration factor, for the selected spectrum analyzer center frequency, into the Agilent 8902A.
17. Disconnect the directional coupler from the spectrum analyzer; reconnect it to the power sensor.
18. Adjust the Agilent 11975A output power level for a +7 dBm  $\pm$ 0.01 dB reading on the Agilent 8902A display.
19. On the Agilent 8340A/B #1, set the power level to –80 dBm.
20. Reconnect the directional coupler to the spectrum analyzer INPUT 50  $\Omega$  connector.



21. On the Agilent 8340A/B #2, adjust the power level to bring the signal 1 dB (one division) below the spectrum analyzer reference level.
22. On the spectrum analyzer, press **MKR, MARKERS OFF, PEAK SEARCH**.
23. Press **AUX CTRL, INTERNAL MIXER, PRESEL AUTO PK**. Wait for the PEAKING message to disappear, then press **PEAK SEARCH, MARKER DELTA**.
24. On the Agilent 8340A/B #1, set the power level to +8 dBm.
25. On the spectrum analyzer, press **PEAK SEARCH, NEXT PEAK**. The active marker should be on the peak of the lower amplitude signal. If it is not, reposition the marker to the lower peak, using the knob. Read the  $\Delta$  MKR amplitude. Record the  $\Delta$  MKR reading in [Table 10-93](#) as Gain Compression for Band 1.

**Table 10-93      Gain Compression**

<b>Band</b>	<b>Spectrum Analyzer Center Freq (GHz)</b>	<b>Agilent 8340A/B #1 CW (GHz)</b>	<b>Agilent 8340A/B #2 CW (GHz)</b>	<b>Gain Compression (dB)</b>	<b>Measurement Uncertainty (dB)</b>
0	2.0	2.003	2.0		$\pm 0.19$
1	4.0	4.003	4.0		$\pm 0.22$

## 49. Gain Compression: Agilent 8562E/EC, Agilent 8563E/EC

### Instrument Under Test

Agilent 8562E/EC

Agilent 8563E/EC

### Related Specification

Gain Compression

### Related Adjustment

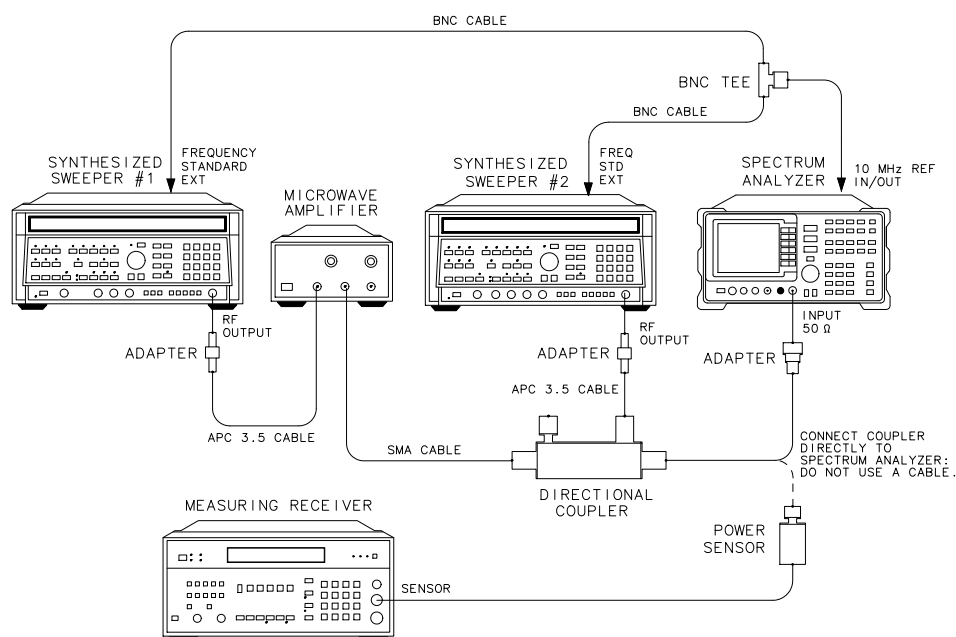
There is no related adjustment procedure for this performance test.

### Description

This test measures the analyzer gain compression using two signals that are 3 MHz apart. First the test places a  $-30$  dBm signal at the input of the spectrum analyzer (the analyzer reference level is also set to  $-30$  dBm). Then the specified signal level is input to the analyzer, overdriving its input. The decrease in the first signal amplitude (gain compression) caused by the second signal is the measured gain compression.

Figure 10-62

Gain Compression Test Setup



dp116e

## Equipment

Synthesized sweeper (2 required) . . . . .	Agilent 8340A/B
Measuring receiver . . . . .	Agilent 8902A
Amplifier . . . . .	Agilent 11975A
Power sensor . . . . .	Agilent 8485A
Directional coupler . . . . .	0955-0098

### Adapters

APC 3.5 (f) to APC 3.5 (f) (2 required) . . . . .	5061-5311
Type N (m) to APC 3.5 (m) . . . . .	1250-1743
BNC tee (m) (f) (f) . . . . .	1250-0781

### Cables

BNC, 122 cm (48 in.) (2 required) . . . . .	Agilent 10503A
APC 3.5, 91 cm (36 in.) (2 required) . . . . .	8120-4921
SMA, 91 cm (36 in.) . . . . .	8120-1578

## Procedure

### Band 0 (<2.9 GHz)

1. Zero the Agilent 8902A and calibrate the Agilent 8485A power sensor as described in the Agilent 8902A Operation Manual. Enter the power sensor 2 GHz calibration factor into the Agilent 8902A.
2. Connect the equipment as shown in [Figure 10-62](#), with the output of the directional coupler connected to the Agilent 8485A power sensor.
3. On Agilent 8340A/B #2, press **INSTR PRESET**. Set the controls as follows:
 

CW frequency . . . . .	2.0 GHz
Power level . . . . .	-24 dBm
Frequency standard switch (rear panel) . . . . .	EXT
4. On Agilent 8340A/B #1, press **INSTR PRESET**. Set the controls as follows:
 

CW frequency . . . . .	2.003 GHz
Power level . . . . .	+8 dBm
Frequency standard switch (rear panel) . . . . .	EXT

**49. Gain Compression: Agilent 8562E/EC, Agilent 8563E/EC**

5. On the spectrum analyzer, press **PRESET**.
6. Set the controls as follows:
 

Center frequency . . . . .	2.0 GHz
Reference level . . . . .	–30 dBm
Span . . . . .	10 MHz
Resolution BW . . . . .	300 kHz
Log dB/division . . . . .	1 dB
7. Adjust the Agilent 11975A output power level for a +5 dBm  $\pm 0.01$  dB reading on the Agilent 8902A display.
8. On Agilent 8340A/B #1, adjust the power level to –80 dBm.
9. Remove the power sensor from the directional coupler. Connect the directional coupler to the spectrum analyzer INPUT 50  $\Omega$  using an adapter. **Do not** use a cable.
10. On Agilent 8340A/B #2, adjust the power level for a signal 1 dB below the spectrum analyzer reference level.
11. On the spectrum analyzer, press **PEAK SEARCH, MARKER DELTA**.
12. On Agilent 8340A/B #1, set the power level to +8 dBm.
13. On the spectrum analyzer, press **PEAK SEARCH, NEXT PEAK**. The active marker should be on the lower amplitude signal, not on the signal that is off the top of the screen. If it is not on the lower amplitude signal, reposition the marker to this peak, using the front-panel function knob. Read the  $\Delta$  MKR amplitude. Record the  $\Delta$  MKR amplitude in [Table 10-94](#) as gain compression, Band 0.

**Gain Compression, Band 1 (2.9 GHz to 6.46 GHz)**

14. Set the spectrum analyzer, Agilent 8340A/B #1 and Agilent 8340A/B #2 to the frequencies indicated in [Table 10-94](#) for Band 1.
15. Set the amplitude of Agilent 8340A/B #2 to –24 dBm.
16. Enter the Agilent 8485A calibration factor, for the selected spectrum analyzer center frequency, into the Agilent 8902A.
17. Disconnect the directional coupler from the spectrum analyzer, and reconnect it to the Agilent 8485A power sensor.
18. Adjust the Agilent 11975A output power level for a +10 dBm  $\pm 0.01$  dB reading on the Agilent 8902A display.
19. On Agilent 8340A/B #1, set the power level to –80 dBm.

**49. Gain Compression: Agilent 8562E/EC, Agilent 8563E/EC**

20. Reconnect the directional coupler to the spectrum analyzer INPUT 50  $\Omega$ . Turn the spectrum analyzer markers off.
21. On Agilent 8340A/B #2, adjust the power level to bring the signal 1 dB (one division) below the spectrum analyzer reference level.
22. On the spectrum analyzer, press **PEAK SEARCH**.
23. Press **AUX CTRL, INTERNAL MIXER, PRESEL AUTO PK**. Wait for the **PEAKING!** message to disappear, then press **PEAK SEARCH, MARKER DELTA**.
24. On Agilent 8340A/B #1, set the power level to +8 dBm.
25. On the spectrum analyzer, press **PEAK SEARCH, NEXT PEAK**. The active marker should be on the peak of the lower amplitude signal. If it is not, reposition the marker to this peak, using the front-panel function knob. Read the  $\Delta$  MKR amplitude. Record the  $\Delta$  MKR reading in [Table 10-94](#) as gain compression, Band 1.

**Gain Compression, Band 2 (>6.46 GHz)**

26. Set the spectrum analyzer, Agilent 8340A/B #1 and Agilent 8340A/B #2 to the frequencies indicated in [Table 10-94](#) for Band 2.
27. Set the amplitude of Agilent 8340A/B #2 to –24 dBm.
28. Enter the Agilent 8485A calibration factor, for the selected spectrum analyzer center frequency, into the Agilent 8902A.
29. Disconnect the directional coupler from the spectrum analyzer, and reconnect it to the Agilent 8485A power sensor.
30. Adjust the Agilent 11975A output power level for a +7 dBm  $\pm$ 0.01 dB reading on the Agilent 8902A display.
31. On Agilent 8340A/B #1, set the power level to –80 dBm.
32. Reconnect the directional coupler to the spectrum analyzer INPUT 50  $\Omega$ . Turn the spectrum analyzer markers off.
33. On Agilent 8340A/B #2, adjust the power level to bring the signal 1 dB (one division) below the spectrum analyzer reference level.
34. On the spectrum analyzer, press **PEAK SEARCH**.
35. Press **AUX CTRL, INTERNAL MIXER, PRESEL AUTO PK**. Wait for the **PEAKING!** message to disappear, then press **PEAK SEARCH, MARKER DELTA**.
36. On Agilent 8340A/B #1, set the power level to +8 dBm.

**49. Gain Compression: Agilent 8562E/EC, Agilent 8563E/EC**

37. On the spectrum analyzer, press **PEAK SEARCH, NEXT PEAK**. The active marker should be on the peak of the lower amplitude signal. If it is not, reposition the marker to this peak, using the front-panel function knob. Read the  $\Delta$  MKR amplitude. Record the  $\Delta$  MKR reading in [Table 10-94](#) as gain compression, Band 2.

**Table 10-94 Gain Compression**

Band	Spectrum Analyzer Center Freq (GHz)	Agilent 8340A/B #1 CW (GHz)	Agilent 8340A/B #2 CW (GHz)	Gain Compression (dB)	Measurement Uncertainty (dB)
0	2.0	2.003	2.0		$\pm 0.19$
1	4.0	4.003	4.0		$\pm 0.22$
2	7.0	7.003	7.0		$\pm 0.22$

## 50. Gain Compression: Agilent 8564E/EC, Agilent 8565E/EC

### Instrument Under Test

Agilent 8564E/EC  
Agilent 8565E/EC

### Related Specification

Gain Compression

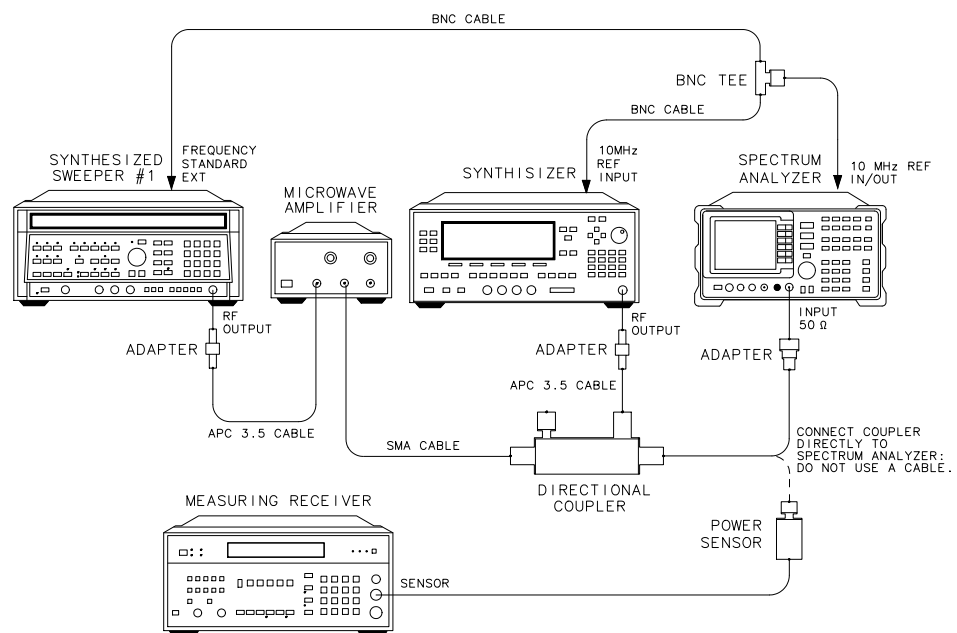
### Related Adjustment

There is no related adjustment procedure for this performance test.

### Description

This test measures the analyzer gain compression using two signals that are 3 MHz apart. First the test places a  $-30$  dBm signal at the input of the spectrum analyzer (the analyzer reference level is also set to  $-30$  dBm). Then the specified signal level is input to the analyzer, overdriving its input. The decrease in the first signal amplitude (gain compression) caused by the second signal is the measured gain compression.

Figure 10-63 Gain Compression Test Setup



xj16e

**Equipment**

Synthesized sweeper #1 . . . . .	Agilent 8340A/B
Synthesized sweeper #2 . . . . .	Agilent 83650A
Measuring receiver . . . . .	Agilent 8902A
Amplifier . . . . .	Agilent 11975A
Power sensor . . . . .	Agilent 8485A
Directional coupler . . . . .	0955-0098

**Adapters**

APC 3.5 (f) to APC 3.5 (f) . . . . .	5061-5311
Type N (m) to APC 3.5 (m) . . . . .	1250-1743
BNC tee (m) (f) (f) . . . . .	1250-0781
APC 3.5 (f) to 2.4 mm (f) . . . . .	Agilent 11901B

**Cables**

BNC, 122 cm (48 in.) (2 required) . . . . .	Agilent 10503A
APC 3.5, 91 cm (36 in.) (2 required) . . . . .	8120-4921
SMA, 91 cm (36 in.) . . . . .	8120-1578

**Procedure****Band 0 (<2.9 GHz)**

1. Zero the Agilent 8902A and calibrate the Agilent 8485A power sensor as described in the Agilent 8902A Operation Manual. Enter the power sensor 2 GHz calibration factor into the Agilent 8902A.
2. Connect the equipment as shown in [Figure 10-63](#), with the output of the directional coupler connected to the Agilent 8485A power sensor.
3. On the Agilent 83650A, press **PRESET**. Set the controls as follows:
 

CW frequency . . . . .	.2.0 GHz
Power level . . . . .	-24 dBm
4. On the Agilent 8340A/B, press **INSTR PRESET**. Set the controls as follows:
 

CW frequency . . . . .	.2.003 GHz
Power level . . . . .	+8 dBm



- Frequency standard switch (rear panel). . . . . EXT
5. On the spectrum analyzer, press **PRESET**.
  6. Set the controls as follows:
    - Center frequency . . . . . 2.0 GHz
    - Reference level . . . . . –30 dBm
    - Span . . . . . 10 MHz
    - Resolution BW . . . . . 300 kHz
    - Log dB/division . . . . . 1 dB
  7. Adjust the Agilent 11975A output power level for a +5 dBm  $\pm$ 0.01 dB reading on the Agilent 8902A display.
  8. On the Agilent 8340A/B, adjust the power level to –80 dBm.
  9. Remove the power sensor from the directional coupler. Connect the directional coupler to the spectrum analyzer INPUT 50  $\Omega$  using an adapter. **Do not** use a cable.
  10. On Agilent 83650A, adjust the power level for a signal 1 dB below the spectrum analyzer reference level.
  11. On the spectrum analyzer, press **PEAK SEARCH, MARKER DELTA**.
  12. On the Agilent 8340A/B, set the power level to +8 dBm.
  13. On the spectrum analyzer, press **PEAK SEARCH, NEXT PEAK**. The active marker should be on the lower amplitude signal, not on the signal that is off the top of the screen. If it is not on the lower amplitude signal, reposition the marker to this peak, using the front-panel function knob. Read the  $\Delta$  MKR amplitude. Record the  $\Delta$  MKR amplitude in [Table 10-95](#) as gain compression, Band 0.

#### **Gain Compression, Band 1 (2.9 GHz to 6.46 GHz)**

14. Set the spectrum analyzer, Agilent 8340A/B #1 and Agilent 8340A/B #2 to the frequencies indicated in [Table 10-95](#) for Band 1.
15. Set the amplitude of Agilent 8340A/B #2 to –24 dBm.
16. Enter the Agilent 8485A calibration factor, for the selected spectrum analyzer center frequency, into the Agilent 8902A.
17. Disconnect the directional coupler from the spectrum analyzer, and reconnect it to the Agilent 8485A power sensor.
18. Adjust the Agilent 11975A output power level for a +10 dBm  $\pm$ 0.01 dB reading on the Agilent 8902A display.
19. On the Agilent 8340A/B, set the power level to –80 dBm.

**50. Gain Compression: Agilent 8564E/EC, Agilent 8565E/EC**

20. Reconnect the directional coupler to the spectrum analyzer INPUT 50  $\Omega$ . Turn the spectrum analyzer markers off.
21. On Agilent 83650A, adjust the power level to bring the signal 1 dB (one division) below the spectrum analyzer reference level.
22. On the spectrum analyzer, press **PEAK SEARCH**.
23. Press **AUX CTRL, INTERNAL MIXER, PRESEL AUTO PK**. Wait for the **PEAKING!** message to disappear, then press **PEAK SEARCH, MARKER DELTA**.
24. On the Agilent 8340A/B, set the power level to +8 dBm.
25. On the spectrum analyzer, press **PEAK SEARCH, NEXT PEAK**. The active marker should be on the peak of the lower amplitude signal. If it is not, reposition the marker to this peak, using the front-panel function knob. Read the  $\Delta$  MKR amplitude. Record the  $\Delta$  MKR reading in [Table 10-95](#) as gain compression, Band 1.

**Gain Compression, Band 2 (>6.46 GHz)**

26. Set the spectrum analyzer, Agilent 8340A/B and Agilent 83650A to the frequencies indicated in [Table 10-95](#) for Band 2.
27. Set the amplitude of Agilent 8340A/B #2 to -24 dBm.
28. Enter the Agilent 8485A calibration factor, for the selected spectrum analyzer center frequency, into the Agilent 8902A.
29. Disconnect the directional coupler from the spectrum analyzer, and reconnect it to the Agilent 8485A power sensor.
30. Adjust the Agilent 11975A output power level for a +7 dBm  $\pm 0.01$  dB reading on the Agilent 8902A display.
31. On the Agilent 8340A/B, set the power level to -80 dBm.
32. Reconnect the directional coupler to the spectrum analyzer INPUT 50  $\Omega$ . Turn the spectrum analyzer markers off.
33. On the Agilent 83650A, adjust the power level to bring the signal 1 dB (one division) below the spectrum analyzer reference level.
34. On the spectrum analyzer, press **PEAK SEARCH**.
35. Press **AUX CTRL, INTERNAL MIXER, PRESEL AUTO PK**. Wait for the **PEAKING!** message to disappear, then press **PEAK SEARCH, MARKER DELTA**.
36. On the Agilent 8340A/B, set the power level to +8 dBm.

**50. Gain Compression: Agilent 8564E/EC, Agilent 8565E/EC**

37. On the spectrum analyzer, press **PEAK SEARCH, NEXT PEAK**. The active marker should be on the peak of the lower amplitude signal. If it is not, reposition the marker to this peak, using the front-panel function knob. Read the  $\Delta$  MKR amplitude. Record the  $\Delta$  MKR reading in [Table 10-95](#) as gain compression, Band 2.

**Table 10-95 Gain Compression**

<b>Band</b>	<b>Spectrum Analyzer Center Freq (GHz)</b>	<b>Agilent 8340A/B CW (GHz)</b>	<b>Agilent 83650A CW (GHz)</b>	<b>Gain Compression (dB)</b>	<b>Measurement Uncertainty (dB)</b>
0	2.0	2.003	2.0		$\pm 0.19$
1	4.0	4.003	4.0		$\pm 0.22$
2	7.0	7.003	7.0		$\pm 0.22$

## 51. 1ST LO OUTPUT Amplitude: 8560E/EC

### Instrument Under Test

8560E/EC

### Related Specification

1ST LO OUTPUT Amplitude Accuracy

### Related Adjustment

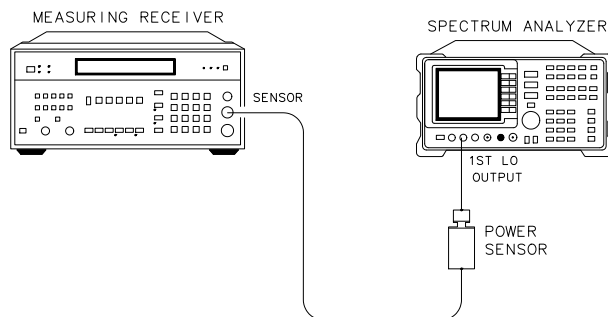
First LO Distribution Amplifier Adjustment

### Description

1ST LO OUTPUT power is measured with a power meter. For spectrum analyzers without Option 002, the spectrum analyzer is placed in external mixing mode and harmonic-locked to  $N = 6$ . This allows for the maximum tuning range of the 1st LO. For spectrum analyzers with Option 002, internal mixing mode must be used. This limits the lowest 1st LO frequency which can be set.

Figure 10-64

### 1ST LO OUTPUT Amplitude Test Setup



dk117e

### Equipment

Measuring receiver . . . . .	Agilent 8902A
Power sensor . . . . .	Agilent 8485A

### Procedure

1. Zero the Agilent 8902A and calibrate the Agilent 8485A power sensor at 50 MHz as described in the Agilent 8902A Operation Manual. Enter the power sensor 3 GHz calibration factor into the Agilent 8902A. Set the Agilent 8902A for dBm output (LOG display).
2. Connect the equipment as shown in [Figure 10-64](#).

### 1ST LO OUTPUT Power, Non-Option 002 Analyzers

**Perform steps 3 through 5 only on analyzers that *do not* have Option 002.**

3. On the spectrum analyzer, press **PRESET**, **CONFIG**, and **EXT MXR UNPR**. Set the controls as follows:

Mixing . . . . . External  
Lock harmonic . . . . . #6  
Center frequency . . . . . 18 GHz  
Center frequency step . . . . . 1200 MHz  
Resolution BW . . . . . 2 MHz  
Span . . . . . 0 Hz

4. Read the RF power displayed on the Agilent 8902A, and record it as the 3.000 GHz entry in <Undefined Cross-Reference>, for the 1ST LO OUTPUT power.
5. On the spectrum analyzer, use **FREQUENCY CENTER FREQ** and ↓ to step the 1st LO frequency in 200 MHz increments (center frequency in 1200 MHz steps). Enter the appropriate power sensor calibration factor into the Agilent 8902A. At each step, record the power level displayed on the Agilent 8902A in [Table 10-96](#).

### 1ST LO OUTPUT Power, Option 002 Analyzers

**Perform steps 6 through 9 only if an Option 002 Analyzer is being tested.**

6. On the spectrum analyzer, press **PRESET**. Set the controls as follows:

Center frequency . . . . . 100 MHz  
Center frequency step . . . . . 200 MHz  
Resolution BW . . . . . 2 MHz  
Span . . . . . 0 Hz

7. Enter the power sensor 4 GHz calibration factor into the Agilent 8902A.
8. Read the RF power displayed on the Agilent 8902A and record it as the 4.000 GHz entry in [Table 10-96](#) as the 1ST LO OUTPUT power.
9. On the spectrum analyzer, press **FREQUENCY, CENTER FREQ**, ↑ to step the center frequency and 1st LO frequency in 200 MHz increments. Enter the appropriate power sensor calibration factor into the Agilent 8902A. At each step, record the power level displayed on the Agilent 8902A in [Table 10-96](#).

### 1ST LO OUTPUT Power Test Results

**51. 1ST LO OUTPUT Amplitude: 8560E/EC**

10. Record the maximum 1ST LO OUTPUT power here:

Maximum 1ST LO OUTPUT power: \_\_\_\_\_ dB

11. Record the minimum 1ST LO OUTPUT power here:

Minimum 1ST LO OUTPUT power: \_\_\_\_\_ dB

**Table 10-96 1ST LO OUTPUT Amplitude**

<b>1ST LO FREQ* (GHz)</b>	<b>CENTER FREQ Setting Non-Option 002 (GHz)</b>	<b>CENTER FREQ Setting Option 002 (GHz)</b>	<b>CAL Factor Frequency (GHz)</b>	<b>1ST LO OUTPUT Power (dBm)</b>	<b>Measurement Uncertainty (dB)</b>
3.0	18	N/A	3.0		±0.18
3.2	19.2	N/A	3.0		±0.18
3.4	20.4	N/A	3.0		±0.18
3.6	21.6	N/A	4.0		±0.18
3.8	22.8	N/A	4.0		±0.18
4.0	24.0	100	4.0		±0.18
4.2	25.2	300	4.0		±0.18
4.4	26.4	500	4.0		±0.18
4.6	27.6	700	5.0		±0.18
4.8	28.8	900	5.0		±0.18
5.0	30.0	1100	5.0		±0.18
5.2	31.2	1300	5.0		±0.18
5.4	32.4	1500	5.0		±0.18
5.6	33.6	1700	6.0		±0.18
5.8	34.8	1900	6.0		±0.18
6.0	36.0	2100	6.0		±0.18
6.2	37.2	2300	6.0		±0.18
6.4	38.4	2500	6.0		±0.18
6.6	39.6	2700	7.0		±0.18
6.8	40.0	2900	7.0		±0.18
* Nominal. Actual 1st LO frequency is within 60 MHz of this frequency.					

---

## 52. 1ST LO OUTPUT Amplitude: Agilent 8561E/EC, Agilent 8562E/EC, Agilent 8563E/EC, Agilent 8564E/EC, Agilent8565E/EC

### Instrument Under Test

Agilent 8561E/EC  
Agilent 8562E/EC  
Agilent 8563E/EC  
Agilent 8564E/EC  
Agilent 8565E/EC

### Related Specification

1ST LO OUTPUT Amplitude Accuracy

### Related Adjustment

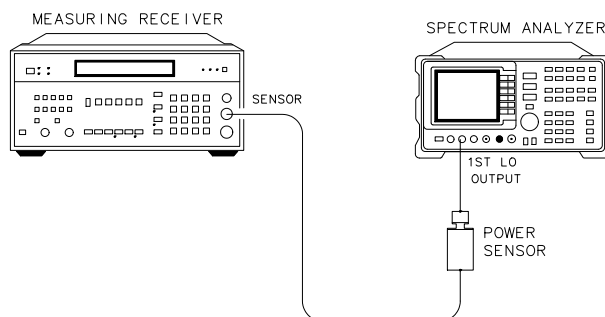
Switched LO Distribution Amplifier Adjustment

### Description

1ST LO OUTPUT power is measured with a power meter. The spectrum analyzer is placed in external mixing mode and harmonic-locked to  $N = 6$ . This allows the broadest tuning range of the 1st LO.

Figure 10-65

### 1ST LO OUTPUT Amplitude Test Setup



dk117e

### Equipment

Measuring receiver . . . . . Agilent 8902A  
Power sensor . . . . . Agilent 8485A



**52. 1ST LO OUTPUT Amplitude: Agilent 8561E/EC, Agilent 8562E/EC, Agilent 8563E/EC, Agilent 8564E/EC, Agilent8565E/EC**

**Procedure**

1. Zero the Agilent 8902A and calibrate the Agilent 8485A power sensor at 50 MHz as described in the Agilent 8902A Operation Manual. Enter the power sensor 3 GHz calibration factor into the Agilent 8902A. Set the Agilent 8902A for dBm output (LOG display).
2. Connect the equipment as shown in [Figure 10-65](#).
3. On the spectrum analyzer, press **PRESET, CONFIG EXT, MXR UNPR, SPAN, ZERO SPAN**. Set the controls as follows:

Mixing . . . . . External  
 Lock harmonic . . . . . #6  
 Center frequency . . . . . 18 GHz  
 Center frequency step . . . . . 1200 MHz  
 Resolution BW . . . . . 1 MHz  
 Span . . . . . 0 Hz

4. Read the RF power displayed on the Agilent 8902A, and record it as the 3.000 GHz entry in [Table 10-97](#), column 5.
5. On the spectrum analyzer, use **FREQUENCY, CENTER FREQUENCY**, and  $\Downarrow$  to step the 1st LO frequency in 200 MHz steps (center frequency in 1200 MHz steps). Enter the appropriate power sensor calibration factor into the Agilent 8902A. At each step, record the power level displayed on the Agilent 8902A in [Table 10-97](#).

6. Record the maximum 1ST LO OUTPUT power here:

Maximum 1ST LO OUTPUT power: \_\_\_\_\_ dB

7. Record the minimum 1ST LO OUTPUT power here:

Minimum 1ST LO OUTPUT power: \_\_\_\_\_ dB

Table 10-97

## 1ST LO Output Amplitude

1ST LO Freq* (GHz)	Center Freq (N=6) (GHz)	CAL Factor Frequency (GHz)	1ST LO Output Power Actual (dBm)	Measurement Uncertainty (dB)
3.0	18	3.0		±0.18
3.2	19.2	3.0		±0.18
3.4	20.4	3.0		±0.18
3.6	21.6	4.0		±0.18
3.8	22.8	4.0		±0.18
4.0	24.0	4.0		±0.18
4.2	25.2	4.0		±0.18
4.4	26.4	4.0		±0.18
4.6	27.6	5.0		±0.18
4.8	28.8	5.0		±0.18
5.0	30.0	5.0		±0.18
5.2	31.2	5.0		±0.18
5.4	32.4	5.0		±0.18
5.6	33.6	6.0		±0.18
5.8	34.8	6.0		±0.18
6.0	36.0	6.0		±0.18
6.2	37.2	6.0		±0.18
6.4	38.4	6.0		±0.18
6.6	39.6	7.0		±0.18
6.8	40.0	7.0		±0.18
* Nominal. Actual 1st LO frequency is within 60 MHz of this frequency.				

## 53. Sweep Time Accuracy

### Instrument Under Test

All 8560 E-Series and EC-Series

### Related Specification

Sweep Time Accuracy (SPAN = 0 Hz)

### Related Adjustment

Display Adjustments (Fast Zero Span Adjustments)

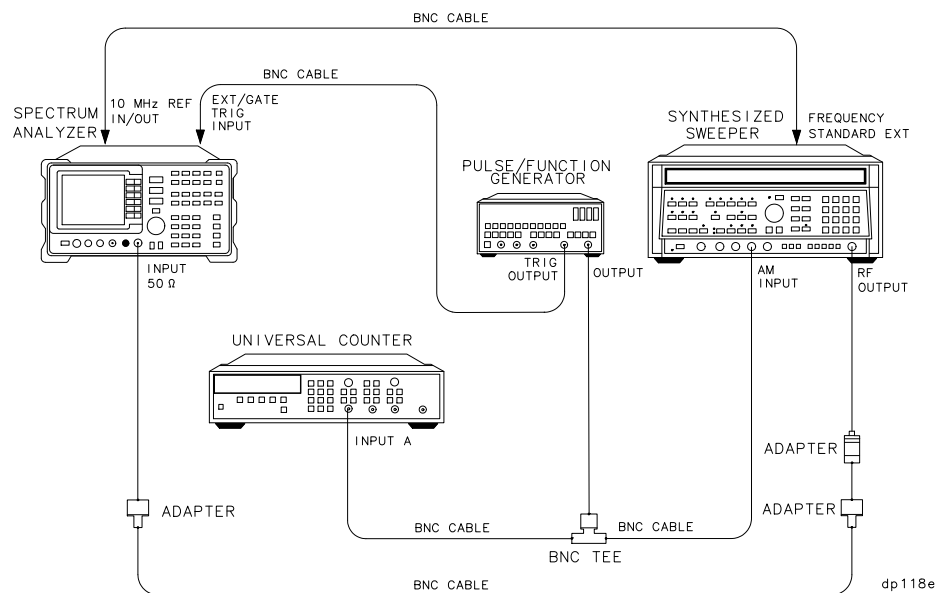
### Description

For sweep times less than 30 ms, an amplitude-modulated signal is displayed on the spectrum analyzer in zero span, and the frequency of the modulating signal (triangle wave) is adjusted to space the peaks evenly across the display. The frequency of the modulating signal is counted and the actual sweep time is calculated and compared to the specification.

For sweep times of 30 ms to 100 seconds, the time interval of the BLKG/GATE OUTPUT low state is measured. This time interval corresponds to the sweep time. The measured sweep time is compared to the specification.

Figure 10-66

### Sweep Time Accuracy Test Setup



**53. Sweep Time Accuracy**

**Equipment**

Synthesized sweeper .....	Agilent 8340A/B
Universal counter .....	Agilent 5334A/B
Pulse/function generator .....	Agilent 8116A

**Adapters**

Type N (f) to APC 3.5 (f) .....	1250-1745
Type N (m) to BNC (f) (2 required) .....	1250-1476
BNC tee (m) (f) (f) .....	1250-0781
Type N (f) to 2.4 mm (f) .....	Agilent 11903B
<i>(for Agilent 8564E/EC and Agilent 8565E/EC)</i>	

**Cable**

BNC, 122 cm (48 in.) (5 required) .....	Agilent 10503A
---	----------------

**Procedure**

**Sweptimes  $\leq 20$  ms (E-Series, Non-Option 007)**

---

**NOTE** Skip steps 1 through 13 when testing an EC-Series instrument or an E-Series, Option 007. After connecting the equipment, continue with step 14.

---

1. Connect the equipment as shown in [Figure 10-66](#).
2. Connect the BNC cable from the Agilent 8116A TRIG OUTPUT connected to the spectrum analyzer EXT/GATE TRIG INPUT.
3. On the spectrum analyzer, press **PRESET**. Set the controls as follows:
 

Center frequency .....	300 MHz
Span .....	.0 Hz
Sweep time .....	50 $\mu$ s
Scale .....	Linear
Resolution BW .....	2 MHz
4. Set the Agilent 5334A/B as follows:
 

Function/data .....	Frequency A
Input A	
$\times 10$ .....	off

- AC. . . . . off
- 50  $\Omega$  Z. . . . . on
- Automatic trigger. . . . . off
- 100 kHz filter A. . . . . off
- Sensitivity . . . . . off

5. On the Agilent 5334A/B, press **READ LEVELS** once. Adjust the INPUT A LEVEL/SENS control until the number on the left side of the display reads  $0.00 \pm 0.10$ . Press **READ LEVELS, READ LEVELS, READ LEVELS**.
6. If the LED next to the INPUT A LEVEL/SENS control is not flashing, press **SENS** (the LED inside the SENS key should now be lit). Adjust the LEVEL/SENS control until the LED next to the INPUT A LEVEL/SENS control begins to flash.

7. On the Agilent 8340A/B, press **INSTR PRESET**. Set the controls as follows:
  - CW frequency . . . . . 300 MHz
  - Power level . . . . . -5 dBm
  - Modulation . . . . . AM

8. On the spectrum analyzer, press **TRIG EXTERNAL**.

9. On the Agilent 8116A, set the controls as follows:
  - Mode . . . . . Normal
  - Frequency . . . . . 200 kHz
  - Duty cycle . . . . . 50%
  - Amplitude . . . . . 500 mV
  - Offset. . . . . 0 V
  - Function. . . . . Triangle
  - Disable. . . . . Off

10. Adjust the Agilent 8116A frequency for 10 cycles evenly spaced relative to the vertical graticule lines on the analyzer. For example, if the peak of the first cycle is 0.2 divisions to the right of the first graticule line, the peak of the tenth cycle should be set 0.2 divisions to the right of the tenth graticule line.

11. Read the frequency displayed on the Agilent 5334A/B. Calculate the measured sweep time using the equation below. Record the result as the measured sweep time in [Table 10-98](#), for the 50  $\mu$ s sweep time setting.

Measured sweep time = 10/Agilent 5334A/B frequency reading

12. Repeat steps 9 through 11 for sweep times between 100  $\mu$ s and 20 ms, as listed in [Table 10-98](#). Set the initial Agilent 8116A frequency according to this

**53. Sweep Time Accuracy**

equation:

Initial Agilent 8116A frequency = 10/sweep time setting

13. Disconnect the BNC cable between the Agilent 5334A/B and the Agilent 8116A.

**Sweeptimes ≥30 ms**

14. Connect a BNC cable from the BLKG/GATE OUTPUT on the spectrum analyzer to INPUT A of the Agilent 5334A/B.
15. Set the spectrum analyzer as follows, then press **TRIG, FREE RUN, SWEEP, 30, ms.**

Center frequency . . . . . 300 MHz  
 Span . . . . . 0 Hz  
 Scale . . . . . Linear  
 Resolution BW . . . . . 2 MHz

16. Turn the power to the universal counter off and back on. Press **COM A, TI A → B.** Set the controls as follows:

Automatic Trigger. . . . . off  
 100 kHz filter A . . . . . on  
 Sense . . . . . off

17. Set the universal counter controls as follows:

**Input A**  
 ×10 . . . . . off  
 AC . . . . . off  
 50 Ω Z . . . . . off  
 Slope . . . . . on  
 Trigger level/sense . . . . . Fully CCW

**Input B**  
 ×10 . . . . . off  
 AC . . . . . off  
 50 Ω Z . . . . . off  
 Slope . . . . . off  
 Trigger level/sense . . . . . Fully CCW

18. Rotate the INPUT A trigger level/sense control clockwise until the LED next to the control begins to flash.

19. Rotate the INPUT B trigger level/sense control clockwise until the LED next to the control begins to flash.
20. Perform the following steps for the remaining sweep time settings listed in the first column of [Table 10-98](#) for sweep time settings  $\geq 30$  ms:
  - a. Set the spectrum analyzer to the sweep time indicated.
  - b. Press **SGL SWP** on the spectrum analyzer and wait for the completion of a new sweep.
  - c. Record the Agilent 5334A/B reading as the measured sweep time in the second column of [Table 10-98](#).

---

**NOTE**

---

It might be necessary to readjust the LEVEL/SENS controls slightly for a stable display.

**Table 10-98**

**Sweep Time Accuracy**

Sweep Time Setting	Measured Sweep Time	Measurement Uncertainty
50 $\mu$ s		$\pm 750$ ns
100 $\mu$ s		$\pm 1.5$ $\mu$ s
200 $\mu$ s		$\pm 3.0$ $\mu$ s
500 $\mu$ s		$\pm 7.5$ $\mu$ s
1 ms		$\pm 15$ $\mu$ s
2 ms		$\pm 30$ $\mu$ s
5 ms		$\pm 75$ $\mu$ s
10 ms		$\pm 150$ $\mu$ s
20 ms		$\pm 300$ $\mu$ s
30 ms		$\pm 209$ ns
50 ms		$\pm 281$ ns
100 ms		$\pm 461$ ns
200 ms		$\pm 821$ ns
500 ms		$\pm 1.901$ $\mu$ s
1 s		$\pm 3.7$ $\mu$ s
2 s		$\pm 7.3$ $\mu$ s
5 s		$\pm 18.1$ $\mu$ s
10 s		$\pm 36.1$ $\mu$ s
20 s		$\pm 72.1$ $\mu$ s
50 s		$\pm 180.1$ $\mu$ s
100 s		$\pm 360.1$ $\mu$ s



## 54. Residual Responses: 8560E/EC

### Instrument Under Test

8560E/EC

### Related Specification

Residual Responses

### Related Adjustment

There is no related adjustment for this performance test.

### Description

This test checks for residual responses. Any response located above the display line is measured in a narrow frequency span and resolution bandwidth. The spectrum analyzer INPUT 50  $\Omega$  is terminated in 50  $\Omega$ .

### Equipment

Coaxial 50  $\Omega$  termination Agilent 909D

#### Adapters

Type N (m) to APC 3.5 (f)1250-1744

Type N (m) to BNC (f)1250-1476

Type N (f) to APC 3.5 (f)1250-1745

#### Cable

BNC, 122 cm (48 in.) Agilent 10503A

## Procedure

1. On the spectrum analyzer, press **PRESET**. Set the controls as follows:  
Center frequency . . . . . 300 MHz  
Span . . . . . 10 kHz  
Resolution BW . . . . . 300 Hz  
Reference level . . . . . -10 dBm  
Attenuation . . . . . 0 dB
2. On the spectrum analyzer, connect a BNC cable between CAL OUTPUT and INPUT 50  $\Omega$ . Press **PEAK SEARCH**, **CAL**, **REF LEVEL ADJ**. Use the data entry knob or the step keys to change the REF LEVEL CAL value until the marker amplitude reads -10.00 dBm  $\pm$ 0.17 dB.

## Residual Responses

3. Remove the BNC cable and adapter from INPUT 50  $\Omega$ . Install the type N-to-APC 3.5 adapter and 50  $\Omega$  termination on INPUT 50  $\Omega$ . Press **PRESET**. Set the controls as follows:  
Center frequency . . . . . 15.2 MHz  
Span . . . . . 30 MHz  
Center frequency step . . . . . 28.5 MHz  
Reference level . . . . . -50 dBm  
Attenuation . . . . . 0 dB  
Resolution BW . . . . . 10 kHz  
Trigger . . . . . Single  
Display line . . . . . -90 dBm
4. Press **SGL SWP** to trigger a sweep. The noise level should be at least 6 dB below the display line. If it is not, it will be necessary to reduce SPAN and RES BW to reduce the noise level. If SPAN is reduced, reduce CF STEP to no more than 95% of SPAN.
5. If a residual is suspected, press **SGL SWP** again. A residual response will persist, but a noise peak will not. Make a note of the frequency and amplitude of any responses above the display line.

6. If a response is marginal, verify the response amplitude as follows:
  - a. Press **SAVE, SAVE STATE, STATE 0**.
  - b. Press **MKR**. Place the marker on the peak of the response in question.
  - c. Press **MKR →** and **MARKER → CF**.
  - d. Press **SPAN, ↓, ↓, ↓, ↓, TRIG, SWEEP CONT, PEAK SEARCH, MARKER → CF**.
  - e. Press **BW, RES BW, AUTO**.
  - f. Continue to reduce SPAN until a RES BW of 300 Hz is reached. If the response is a synthesis-related residual, it might disappear as SPAN is reduced. If this is the case, measure the amplitude with the narrowest span possible and a 300 Hz RES BW.
7. Check for residuals up to 2.9 GHz, following steps 4 through 6. To change the center frequency, press **FREQUENCY, CENTER FREQ, ↑**.

## 55. Residual Responses: Agilent 8561E/EC

### Instrument Under Test

Agilent 8561E/EC

### Related Specification

Residual Responses

### Related Adjustment

There is no related adjustment for this performance test.

### Description

This test checks for residual responses from 200 kHz to 6.5 GHz. Any response located above the display line is measured in a narrow frequency span and resolution bandwidth. The spectrum analyzer INPUT 50  $\Omega$  is terminated in 50  $\Omega$ .

### Equipment

Coaxial 50  $\Omega$  termination . . . . . Agilent 909D

#### Adapters

Type N (m) to APC 3.5 (f) . . . . . 1250-1744

Type N (m) to BNC (f) . . . . . 1250-1476

Type N (f) to APC 3.5 (f) . . . . . 1250-1745

#### Cable

BNC, 122 cm (48 in.) . . . . . Agilent 10503A

## Procedure

1. On the spectrum analyzer, press **PRESET**. Set the controls as follows:

Center frequency . . . . . 300 MHz  
Span . . . . . 10 kHz  
Resolution BW . . . . . 300 Hz  
Reference level . . . . . -10 dBm  
Attenuation . . . . . 0 dB

2. On the spectrum analyzer, connect a BNC cable between CAL OUTPUT and INPUT 50  $\Omega$ . Press **PEAK SEARCH**, **CAL**, **REF LEVEL ADJ**. Use the data entry knob or the step keys to change the REF LEVEL CAL value until the marker amplitude reads -10.00 dBm  $\pm$ 0.17 dB.

### Residual Responses, Band 0

3. Remove the BNC cable and adapter from INPUT 50  $\Omega$ . Install the type N-to-APC 3.5 adapter and 50  $\Omega$  termination on INPUT 50  $\Omega$ . Press **PRESET**. Set the controls as follows:

Center frequency . . . . . 15.2 MHz  
Span . . . . . 30 MHz  
Center frequency step . . . . . 28.5 MHz  
Reference level . . . . . -50 dBm  
Attenuation . . . . . 0 dB  
Resolution BW . . . . . 10 kHz  
Trigger . . . . . Single  
Display line . . . . . -90 dBm

4. Press **SGL SWP** to trigger a sweep. The noise level should be at least 6 dB below the display line. If it is not, it will be necessary to reduce SPAN and RES BW to reduce the noise level. If SPAN is reduced, reduce CF STEP to no more than 95% of SPAN.
5. If a residual is suspected, press **SGL SWP** again. A residual response will persist, but a noise peak will not. Make a note of the frequency and amplitude of any responses above the display line.

6. If a response is marginal, verify the response amplitude as follows:
  - a. Press **SAVE, SAVE STATE, STATE 0**.
  - b. Press **MKR**. Place the marker on the peak of the response in question.
  - c. Press **MKR →** and **MARKER → CF**.
  - d. Press **SPAN, ↓, ↓, ↓, ↓, TRIG, SWEEP CONT, PEAK SEARCH, MARKER → CF**.
  - e. Press **BW, RES BW AUTO**.
  - f. Continue to reduce SPAN until a RES BW of 300 Hz is reached. If the response is a synthesis-related residual, it might disappear as SPAN is reduced. If this is the case, measure the amplitude with the narrowest span possible and a 300 Hz RES BW.
7. Check for residuals up to 2.9 GHz, following steps 4 through 6. To change the center frequency, press **FREQUENCY, CENTER FREQ, ↑**.

**Residual Responses, Band 1**

8. On the spectrum analyzer, press **FREQUENCY, CENTER FREQ, 2.915, GHz**.
9. Check for residuals from 2.9 GHz to 6.5 GHz, following steps 4 through 6. To change the center frequency, press **CENTER FREQ, ↑**.

## 56. Residual Responses: Agilent 8562E/EC, Agilent 8563E/EC, Agilent 8564E/EC, Agilent 8565E/EC

### Instrument Under Test

Agilent 8562E/EC  
 Agilent 8563E/EC  
 Agilent 8564E/EC  
 Agilent 8565E/EC

### Related Specification

Residual Responses

### Related Adjustment

There is no related adjustment for this performance test.

### Description

This test checks for residual responses in Bands 0 and 1 ( $N = 1$ ). Any response located above the display line is measured in a narrow frequency span and resolution bandwidth. The spectrum analyzer INPUT 50  $\Omega$  is terminated in 50  $\Omega$ .

### Equipment

Coaxial 50  $\Omega$  termination . . . . . Agilent 909D  
*(Agilent Agilent 8563E/EC only)*  
 Coaxial 50  $\Omega$  termination . . . . . Agilent 85138B  
*(Agilent 8564E/EC or 8565E/EC only)*

### Adapters

Type N (m) to APC 3.5 (f) . . . . . 1250-1744  
*(Agilent 8563E/EC only)*  
 Type N (m) to BNC (f) . . . . . 1250-1476  
 Type N (f) to 2.4 mm (f) . . . . . Agilent 11903B  
*(Agilent 8564E/EC or 8565E/EC only)*

**Cable**

BNC, 122 cm (48 in.) . . . . . Agilent 10503A

**Procedure**

1. On the spectrum analyzer, press **PRESET**. Set the controls as follows:  
Center frequency . . . . . 300 MHz  
Span . . . . . 10 kHz  
Resolution BW . . . . . 300 Hz  
Reference level . . . . . -10 dBm  
Attenuation . . . . . 0 dB
2. On the spectrum analyzer, connect a BNC cable between CAL OUTPUT and INPUT 50  $\Omega$ . Press **PEAK SEARCH**, **CAL**, **REF LEVEL ADJ**. Use the data entry knob or the step keys to change the REF LEVEL CAL value until the marker amplitude reads -10.00 dBm  $\pm$ 0.17 dB.

**Residual Responses, Band 0**

3. Remove the BNC cable and adapter from INPUT 50  $\Omega$ . Install the 50  $\Omega$  termination on INPUT 50  $\Omega$ , using an adapter if necessary. Press **PRESET**. Set the controls as follows:  
Center frequency . . . . . 15.2 MHz  
Center frequency step . . . . . 28.5 MHz  
Span . . . . . 30 MHz  
Reference level . . . . . -50 dBm  
Attenuation . . . . . 0 dB  
Resolution BW . . . . . 10 kHz  
Trigger . . . . . Single  
Display line . . . . . -90 dBm
4. Press **SGL SWP** to trigger a sweep. The noise level should be at least 6 dB below the display line. If it is not, it will be necessary to reduce SPAN and RES BW to reduce the noise level. If SPAN is reduced, reduce CF STEP to no more than 95% of SPAN.
5. If a residual is suspected, press **SGL SWP** again. A residual response will persist, but a noise peak will not. Make a note of the frequency and amplitude of any responses above the display line.
6. If a response is marginal, verify the response amplitude as follows:



**56. Residual Responses: Agilent 8562E/EC, Agilent 8563E/EC, Agilent 8564E/EC, Agilent 8565E/EC**

- a. Press **SAVE, SAVE STATE, STATE 0**.
  - b. Press **MKR**. Place the marker on the peak of the response in question.
  - c. Press **MKR →** and **MARKER → CF**.
  - d. Press **SPAN, ↓, ↓, ↓, ↓, TRIG, SWEEP CONT, PEAK SEARCH, MARKER → CF**.
  - e. Press **BW, RES BW AUTO**.
  - f. Continue to reduce SPAN until a RES BW of 300 Hz is reached. If the response is a synthesis-related residual, it might disappear as SPAN is reduced. If this is the case, measure the amplitude with the narrowest span possible and a 300 Hz RES BW.
7. Check for residuals up to 2.9 GHz, following steps 4 through 6. To change the center frequency, press **FREQUENCY, CENTER FREQ, ↑**.

**Residual Responses, Band 1**

8. On the spectrum analyzer, press **FREQUENCY, CENTER FREQ, 2.915, GHz**.
9. Check for residuals from 2.9 GHz to 6.46 GHz, following steps 4 through 6. To change the center frequency, press **CENTER FREQ, ↑**.

## 57. IF INPUT Amplitude Accuracy

### Instrument Under Test

All 8560 E-Series and EC-Series

#### NOTE

Option 002 and Option 327 do not have external mixer capability, so the IF input test should not be included for instruments with either of these two options.

### Related Specification

IF INPUT Amplitude Accuracy

### Related Adjustment

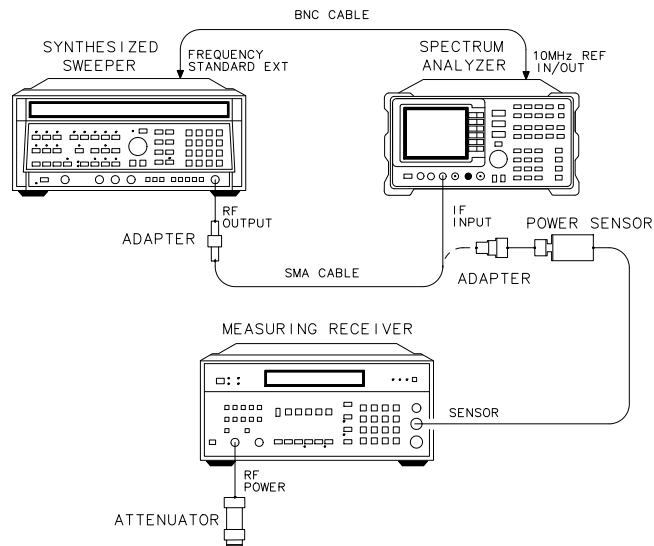
External Mixer Amplitude Adjustment

### Description

The user-loaded conversion losses for K-band are recorded and reset to 30 dB. A 310.7 MHz signal is applied to the IF INPUT. The power level of the source is adjusted for a signal at the reference level. The power applied to the spectrum analyzer is measured with a power meter. The previously recorded conversion losses are reentered.

Figure 10-67

IF Input Amplitude Test Setup



dp119e

## Equipment

Synthesized sweeper . . . . .	Agilent 8340A/B
Measuring receiver . . . . .	Agilent 8902A
Power sensor . . . . .	Agilent 8484A
50 MHz reference attenuator. . . . .	Agilent 11708A (supplied with Agilent 8484A)

## Adapters

Type N (f) to SMA (f) . . . . .	1250-1772
APC 3.5 (f) to APC 3.5 (f) . . . . .	5061-5311

## Cables

BNC, 122 cm (48 in.) . . . . .	Agilent 10503A
SMA, 61 cm (24 in.) . . . . .	8120-1578

## Procedure

1. Connect the equipment as shown in [Figure 10-67](#). The spectrum analyzer provides the frequency reference for the Agilent 8340A/B.
2. On the spectrum analyzer, press **PRESET**, **CONFIG**, **EXT MXR UNPR**, then press **AMPLITUDE**, **LOG dB/DIV**, **1**, **dB**. Press **MKR**, **AUX CTRL**, **EXTERNAL MIXER**. Press **SPAN**, **ZERO SPAN**, then **AUX CTRL**, **EXTERNAL MIXER**, **AMPTD CORRECT**, **CNV LOSS VS FREQ**.
3. Note the conversion loss displayed in the active function block. Use  $\uparrow$  and  $\downarrow$  to step through the conversion losses for the other frequencies. If all conversion losses are 30.0 dB, proceed to step 9.
4. Press **CNV LOSS VS FREQ**.
5. Record the 18 GHz conversion loss in [Table 10-99](#).
6. Enter a conversion loss of 30 dB.
7. Press  $\uparrow$ .
8. Repeat steps 5 through 7 for the remaining frequencies listed in [Table 10-99](#).
9. On the Agilent 8340A/B, press **INSTR PRESET**.

CW frequency . . . . .	310.7 MHz
Power level . . . . .	-30 dBm
10. Zero and calibrate the Agilent 8902A/8484A combination in log mode. Enter the power sensor 50 MHz calibration factor into the Agilent 8902A.

**57. IF INPUT Amplitude Accuracy**

11. On the Agilent 8340A/B, adjust the power level until the marker amplitude reads  $0 \text{ dBm} \pm 0.05 \text{ dB}$ .
12. Disconnect the SMA cable from the spectrum analyzer IF INPUT, and connect the cable, through an adapter, to the power sensor.
13. Read the power displayed on the Agilent 8902A. Record the value here:

IF INPUT amplitude: \_\_\_\_\_ dBm

**NOTE**

The following steps should be performed only if it is necessary to change the conversion loss values found in step 5.

14. On the spectrum analyzer, press **CNV LOSS VS FREQ.**
15. Enter the conversion loss at 18 GHz, as recorded in [Table 10-99](#).
16. Press  $\uparrow$ .
17. Repeat steps 15 and 16 for the remaining frequencies listed in [Table 10-99](#).

**Table 10-99****IF Input Amplitude Accuracy**

Frequency (GHz)	Conversion Loss (dB)
18	
20	
22	
24	
26	
27	

## 58. Gate Delay Accuracy and Gate Length Accuracy

### Instrument Under Test

All 8560 E-Series and EC-Series

### Related Specifications

Gate Delay Accuracy  
Gate Length Accuracy

### Related Adjustment

There is no related adjustment for this performance test.

### Description

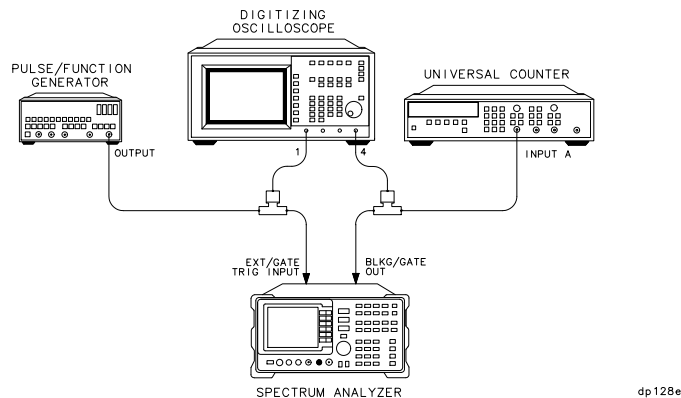
The method used for measuring gate length times is determined by the length of the gate. Shorter gate-length times are measured with an oscilloscope and longer gate-length times are measured with a counter.

For shorter gate-length times, the output signal of a pulse generator is used to trigger the gate circuitry. To measure the gate delay, delta t markers are used. There is often up to 1  $\mu$ s of jitter due to the 1  $\mu$ s resolution of the gate delay clock. The “define measure” feature of the oscilloscope is used to measure and calculate the average length of the gate output automatically.

For longer gate-length times, a counter is used to measure the time period from the rising edge of the gate output to its falling edge. Measuring the gate length accuracy also verifies the gate delay accuracy since both the gate-length accuracy and gate delay accuracy are a function of the same spectrum analyzer CPU clock accuracy.

Figure 10-68

### Gate Delay and Gate Length Accuracy Test Setup



**58. Gate Delay Accuracy and Gate Length Accuracy**

**Equipment**

Universal counter . . . . .	Agilent 5334A/B
Pulse/function generator . . . . .	Agilent 8116A
Digitizing oscilloscope . . . . .	Agilent 54501A

**Cable**

BNC, 120 cm (48 in.) (4 required) . . . . .	Agilent 10503A
---	----------------

**Adapter**

BNC tee (m) (f) (f) (2 required) . . . . .	1250-0781
--	-----------

**Procedure**

**Determine Small Gate Delay and Gate Length (jitter-term)**

1. Connect the equipment as shown in [Figure 10-68](#). Connect BNC Tees directly to the oscilloscope input to reduce “ringing.”
2. Press **PRESET** on the spectrum analyzer. Set the spectrum analyzer controls as follows:

Span . . . . .	.0 Hz
Sweep time . . . . .	.50 ms
Gate . . . . .	on
Gate delay . . . . .	3 $\mu$ s
Gate length . . . . .	1 $\mu$ s

3. Activate the square wave output on the pulse/function generator.
4. Set the pulse/function generator controls as follows:
 

Mode . . . . .	Normal
Frequency . . . . .	100 Hz
Duty cycle . . . . .	50%
HIL . . . . .	2.5 V
LOL . . . . .	0.0 V
Disable . . . . .	off

5. Press the following keys on the oscilloscope:

**RECALL, CLEAR**

**CLEAR DISPLAY**

**DISPLAY**

**off frame axes grid** ..... highlight **grid**

**connect dots off on** ..... highlight **on**

**TRIG**

**source 1 2 3 4** ..... highlight **4**

**level** ..... 2 V

**TIMEBASE**

**TIMEBASE** ..... 1  $\mu$ s/div

**CHAN**

**CHANNEL 1 2 3 4 off on**

highlight **CHANNEL 1 on**

set V/div to 1 V and offset to 2 V

highlight **CHANNEL 4 on**

set V/div to 1 V and offset to 3 V

**DISPLAY**

**DISPLAY norm avg env** ..... highlight **env**

6. Press **CLEAR DISPLAY** on the oscilloscope. Wait for the trace to fill in as shown in [Figure 10-69](#). Press  $\Delta t \Delta V$ ,  **$\Delta t$  markers off on highlight on, stop marker**, 0,  $\mu$ s.

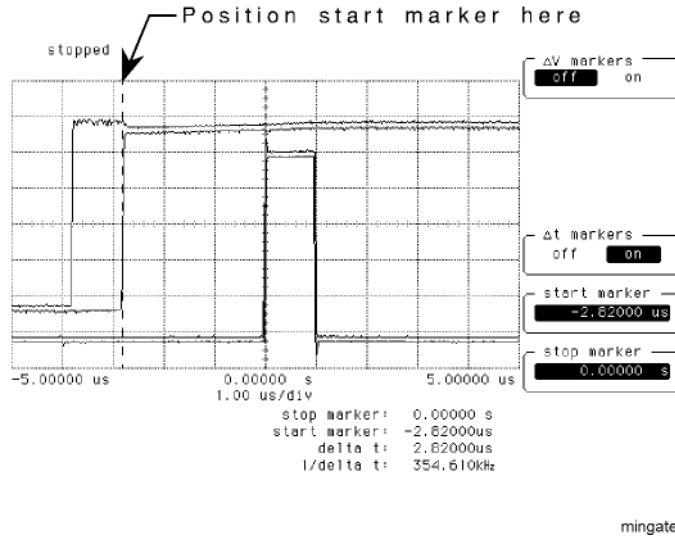
### Record Minimum and Maximum Gate Delay Values

7. On the oscilloscope, press **start marker**. Use the knob to position the start marker on the right-hand rising edge of the upper trace. See [Figure 10-69](#).
8. Record the delta t marker reading as the MIN gate delay.

MIN gate delay: \_\_\_\_\_  $\mu$ s

Figure 10-69

Measuring MIN Gate Delay



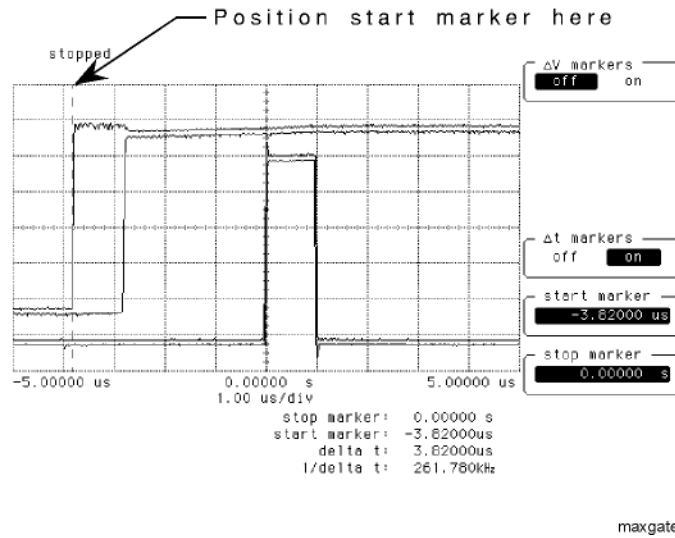
9. Use the oscilloscope knob to position the start marker on the left-hand rising edge of the upper trace. See Figure 10-70.

10. Record the delta t marker reading as the MAX gate delay.

MAX gate delay: \_\_\_\_\_  $\mu$ s

Figure 10-70

Measuring MAX Gate Delay





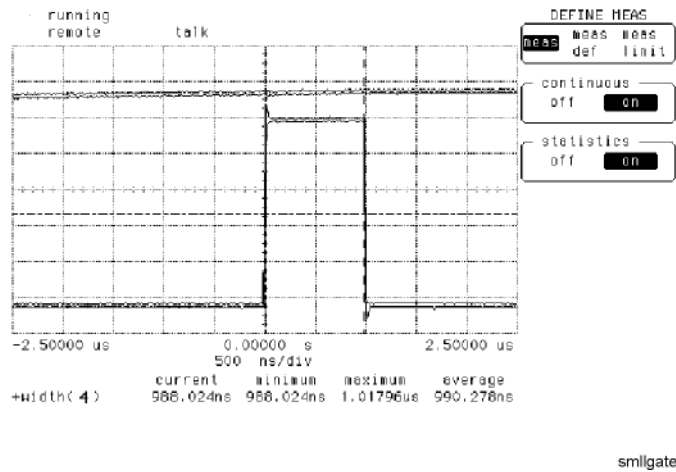
**Determine Small Gate Length**

11. On the oscilloscope, press **DISPLAY** and **norm avg env** so that “norm” is highlighted. Then press **TIMEBASE**, **TIMEBASE**, **500, ns**, **BLUE**, **+WIDTH**, **4** (measure pulse width on CHANNEL 4), **DEFINE MEAS**, **CONTINUOUS ON**. Press **statistics off on** so that “on” is highlighted.
12. Read the average +width (4) displayed on the oscilloscope in the bottom right-hand annotation area. See [Figure 10-71](#).
13. Record the average +width (4) value as the 1 μs gate length.

1 μs gate length: \_\_\_\_\_ ns

**Figure 10-71**

**Measuring Small Gate Length**



**Determine Large Gate Length (CPU Clock Accuracy Term)**

14. Set the spectrum analyzer controls as follows:
  - Sweep time . . . . . 150 ms
  - Gate delay . . . . . 10 ms
  - Gate length. . . . . 65 ms
15. Turn the power to the universal counter off and back on. Press **COM A**, **TI A** → **B**. Set the controls as follows:
  - Automatic Trigger . . . . . Off
  - 100 kHz filter A. . . . . On
  - Sense . . . . . Off
16. Set the universal counter controls as follows:

**58. Gate Delay Accuracy and Gate Length Accuracy**

Input A

×10 . . . . . off

AC . . . . . off

50 Ω Z . . . . . off

Slope . . . . . off (rising edge)

Trigger level/sense . . . . . Fully CCW

Input B

× 10 . . . . . off

AC . . . . . off

50 Ω Z . . . . . off

Slope . . . . . on (falling edge)

Trigger level/sense . . . . . Fully CCW

17. Rotate the INPUT A trigger level/sense control clockwise until the LED next to the control begins to flash.

18. Rotate the INPUT B trigger level/sense control clockwise until the LED next to the control begins to flash.

19. Record the universal counter reading as the 65 ms gate length.

65 ms gate length: \_\_\_\_\_ ms

## 59. Delayed Sweep Accuracy

### Instrument Under Test

All 8560 E-Series and EC-Series

### Related Specification

Delayed Sweep Accuracy

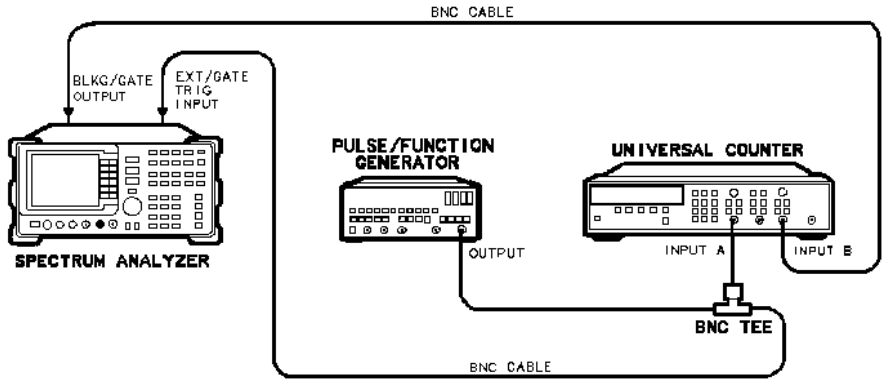
### Related Adjustments

There is no related adjustment for this performance test.

### Description

A universal counter is used to measure the time interval between the rising edge of an external trigger input signal and the falling edge of the blanking output signal. The external trigger signal is a 1 Hz square wave. The measurement is made at several delayed sweep settings.

**Figure 10-72** Delayed Sweep Accuracy Test Setup



### Equipment

- Universal counter .....Agilent 5334A/B
- Pulse/function generator .....Agilent 8116A

### Cable

- BNC, 120 cm (48 in.) (3 required) .....Agilent 10503A

**59. Delayed Sweep Accuracy****Adapter**

BNC tee (m) (f) (f) . . . . . 1250-0781

**Procedure**

1. Connect the equipment as shown in [Figure 10-72](#). Connect the BNC Tee directly to the universal counter input to reduce reflections.
2. Press **PRESET** on the spectrum analyzer. Set the spectrum analyzer controls as follows:

Span . . . . . 0 Hz

SWEEPTIME . . . . . 50 ms

Delay sweep . . . . . on

Delay sweep . . . . . 1 ms

Trigger. . . . . External

3. Activate the square wave output on the pulse/function generator.

4. Set the pulse/function generator controls as follows:

Mode . . . . . Normal

Frequency . . . . . 1 Hz

Duty cycle. . . . . 50%

HIL . . . . . 2.5 V

LOL. . . . . 0.0 V

5. Turn the power to the universal counter off and back on. Press **TI A → B**. Set the controls as follows:

Automatic Trigger. . . . . Off

100 kHz filter A . . . . . On

Sense. . . . . Off

6. Set the universal counter controls as follows:

Input A

×10. . . . . off

AC . . . . . off

50 Ω Z . . . . . off

Slope . . . . . off (rising edge)

Trigger level/sense. . . . . Fully CCW

**Input B**

- × 10.....off
- AC.....off
- 50 Ω Z.....off
- Slope.....on (falling edge)
- Trigger level/sense ..... Fully CCW

7. Rotate the INPUT A trigger level/sense control clockwise until the LED next to the control begins to flash.
8. Rotate the INPUT B trigger level/sense control clockwise until the LED next to the control begins to flash.
9. Record the universal counter reading in [Table 10-100](#) as the Delay for the 1 ms DELAY SWEEP setting.
10. Set the spectrum analyzer to each of the DELAY SWEEP settings in [Table 10-100](#). Repeat step 10 for each DELAY SWEEP setting.

**Table 10-100**

**Delayed Sweep Accuracy**

<b>DELAY SWEEP Setting (μs)</b>	<b>Delay (μs)</b>	<b>Measurement Uncertainty (ns)</b>
1000		±114
2000		±124
5000		±154
10000		±204
20000		±304
50000		±604
65000		±754

## 60. Tracking Generator Level Flatness

### Instrument Under Test

8560E/EC (Option 002)

### Related Specification

Tracking Generator Level Flatness

### Related Adjustment

There is no related adjustment for this performance test.

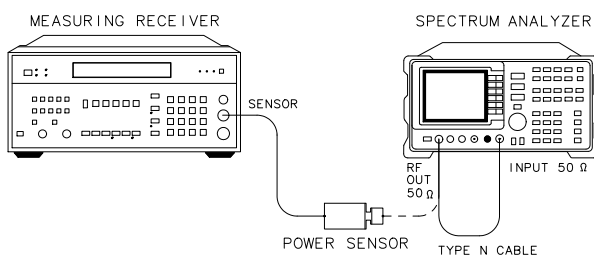
### Description

The tracking generator RF OUT 50  $\Omega$  is connected to the spectrum analyzer INPUT 50  $\Omega$ . Tracking is adjusted at 300 MHz for a maximum signal level. A calibrated power sensor is then connected to the tracking generator output to measure the power level at 300 MHz. The measuring receiver is set to ratio mode so that future power level readings are dB relative to the power level at 300 MHz.

The tracking generator is stepped to several frequencies throughout its range. The output power difference relative to the power level at 300 MHz is measured at each frequency and recorded.

Figure 10-73

### Tracking Generator Level Flatness Test Setup



### Equipment

Measuring receiver . . . . . Agilent 8902A  
Power sensor . . . . . Agilent 8482A

### Cable

Type N, 62 cm (24 in.) . . . . . Agilent 11500B/C

## Procedure

1. Connect the type N cable between the spectrum analyzer RF OUT 50  $\Omega$  and INPUT 50  $\Omega$  connectors. See [Figure 10-73](#).
2. Press **PRESET** on the spectrum analyzer and set the controls as follows:  
Center frequency ..... 300 MHz  
Center frequency step ..... 100 MHz  
Span ..... 0 Hz
3. On the spectrum analyzer, press **MKR, AUX CTRL,** and **TRACKING GENERATOR**. Press **SRC PWR ON, 5, -dBm**.
4. On the spectrum analyzer, press **MORE 1 OF 3, TRACKING PEAK**. Wait for the **PEAKING** message to disappear.
5. Zero and calibrate the measuring receiver and power sensor combination in log mode (for power level readouts in dBm). Enter the power sensor 300 MHz cal factor into the measuring receiver.
6. Remove the type-N cable from the RF OUT 50  $\Omega$  and connect the power sensor to the RF OUT 50  $\Omega$ .
7. On the spectrum analyzer, press **MORE 2 OF 3, MORE 3 OF 3, 0, dBm,** and **SGL SWP**.
8. Press **RATIO** on the measuring receiver. The measuring receiver will now readout power levels relative to the power level at 300 MHz.
9. Set the spectrum analyzer center frequency to 300 kHz. Press **SGL SWP**.
10. Enter the appropriate power sensor cal factor into the measuring receiver as indicated in [Table 10-101](#).
11. Record the power level displayed on the measuring receiver as the flatness in [Table 10-101](#).
12. Repeat steps 9 through 11 above to measure the flatness at each center frequency setting listed in [Table 10-101](#). If desired, use  $\downarrow$  to tune to center frequencies above 100 MHz.
13. Record the most positive flatness reading in [Table 10-101](#) as the maximum flatness.

Maximum flatness: \_\_\_\_\_ dB

14. Record the most negative flatness reading in [Table 10-101](#) as the minimum flatness.

Minimum flatness: \_\_\_\_\_ dB

**Table 10-101**

**Flatness Relative to 300 MHz**

Center Frequency	Flatness (dB)	CAL Factor Frequency (MHz)	Measurement Uncertainty (dB)
300 kHz		0.3	+0.28/-0.28
500 kHz		0.3	+0.28/-0.28
1 MHz		1.0	+0.28/-0.28
2 MHz		3.0	+0.28/-0.28
5 MHz		3.0	+0.28/-0.28
10 MHz		10	±0.155
20 MHz		30	±0.155
50 MHz		50	±0.144
100 MHz		100	±0.161
200 MHz		300	±0.161
300 MHz		300	±0.161
400 MHz		300	±0.157
500 MHz		300	±0.157
600 MHz		300	±0.157
700 MHz		1000	±0.157
800 MHz		1000	±0.157
900 MHz		1000	±0.157
1000 MHz		1000	±0.157
1100 MHz		1000	±0.157
1200 MHz		1000	±0.157
1300 MHz		1000	±0.157
1400 MHz		1000	±0.157
1500 MHz		2000	±0.157
1600 MHz		2000	±0.157
1700 MHz		2000	±0.157
1800 MHz		2000	±0.157
1900 MHz		2000	±0.157
2000 MHz		2000	+0.41/-0.41



**Table 10-101 Flatness Relative to 300 MHz (Continued)**

Center Frequency	Flatness (dB)	CAL Factor Frequency (MHz)	Measurement Uncertainty (dB)
2100 MHz		2000	+0.41/-0.41
2200 MHz		2000	+0.41/-0.41
2300 MHz		2000	+0.41/-0.41
2400 MHz		2000	+0.41/-0.41
2500 MHz		3000	+0.41/-0.41
2600 MHz		3000	+0.41/-0.41
2700 MHz		3000	+0.41/-0.41
2800 MHz		3000	+0.41/-0.41
2900 MHz		3000	+0.41/-0.41

## 61. Absolute Amplitude and Vernier Accuracy

### Instrument Under Test

8560E/EC (Option 002)

### Related Specification

Absolute Amplitude Accuracy  
Vernier Accuracy

### Related Adjustment

Tracking Generator Power Level Adjustments

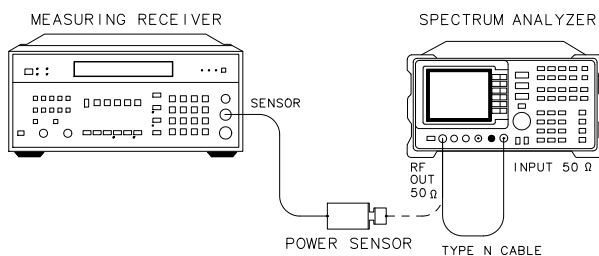
### Description

The tracking generator RF OUT 50  $\Omega$  is connected to the spectrum analyzer INPUT 50  $\Omega$ . Tracking is adjusted at 300 MHz for a maximum signal level. A calibrated power sensor is then connected to the tracking generator output to measure the power level at 300 MHz.

The measuring receiver is set to ratio mode so that future power level readings are in dB relative to the power level at 300 MHz. The output power level setting is decreased in 1 dB steps and the power level is measured at each step. The difference between the ideal and actual power levels is calculated at each step. The step-to-step error is calculated as well.

Figure 10-74

### Absolute Amplitude and Vernier Accuracy Test Setup



dj128e

### Equipment

Measuring receiver . . . . . Agilent 8902A  
Power sensor . . . . . Agilent 8482A

### Cable

Type N, 62 cm (24 in.) . . . . . Agilent 11500B/C

## Procedure

1. Connect the type N cable between the spectrum analyzer RF OUT 50  $\Omega$  and INPUT 50  $\Omega$  connectors. See [Figure 10-74](#).
2. Press **PRESET** on the spectrum analyzer and set the controls as follows:  
Center frequency . . . . . 300 MHz  
Span . . . . . 0 Hz
3. On the spectrum analyzer, press **MKR, AUX CTRL,** and **TRACKING GENERATOR**. Press **SRC PWR ON, 5, -dBm**.
4. On the spectrum analyzer, press **MORE 1 OF 3, TRACKING PEAK**. Wait for the **PEAKING** message to disappear.
5. Zero and calibrate the measuring receiver and power sensor combination in log mode (for power level readouts in dBm). Enter the power sensor 300 MHz cal factor into the measuring receiver.
6. Remove the type-N cable from the RF OUT 50  $\Omega$  and connect the power sensor to the RF OUT 50  $\Omega$ .
7. On the spectrum analyzer, press **MORE 2 OF 3, MORE 3 OF 3, 0, dBm,** and **SGL SWP**.
8. Record the power level displayed on the measuring receiver as the absolute amplitude accuracy:

Absolute amplitude accuracy: \_\_\_\_\_ dB  
(Measurement uncertainty:  $<\pm 0.154$  dB)

9. Press **RATIO** on the measuring receiver to make power level readouts relative to the power level just measured at the 0 dBm output power level setting.
10. Set the displayed **TRK GEN RF POWER** to the settings indicated in [Table 10-102](#). Record the power level displayed on the measuring receiver for each of the settings.
11. Calculate the absolute vernier accuracy by subtracting the tracking generator RF power setting from the measured power level for each tracking generator RF power setting listed in [Table 10-102](#).  
$$\text{Absolute vernier accuracy} = \text{measured power level} - \text{TRK GEN RF POWER}$$
12. Record the absolute vernier accuracy for the +1 dBm TRK GEN RF POWER setting as the corresponding step-to-step accuracy.
13. Calculate the step-to-step accuracy for the -1 dBm to -10 dBm TRK GEN RF POWER settings by subtracting the previous absolute vernier accuracy from the current absolute vernier accuracy.
14. Locate the most positive and most negative absolute vernier accuracy values in

**61. Absolute Amplitude and Vernier Accuracy**

Table 10-102 and record them below:

Positive absolute vernier accuracy: \_\_\_\_\_ dB

Negative absolute vernier accuracy: \_\_\_\_\_ dB

15. Locate the most positive and most negative step-to-step accuracy values in Table 10-102 and record them below:

Positive step-to-step accuracy: \_\_\_\_\_ dB

Negative step-to-step accuracy: \_\_\_\_\_ dB

**Table 10-102****Vernier Accuracy**

<b>TRK GEN RF POWER (dBm)</b>	<b>Measured Power Level (dB)</b>	<b>Absolute Vernier Accuracy (dB)</b>	<b>Step-to-Step Accuracy (dB)</b>	<b>Measurement Uncertainty (dB)</b>
0	0 (Ref.)	0 (Ref.)	0 (Ref.)	0
+1				±0.033
0	0 (Ref.)	0 (Ref.)	0 (Ref.)	0
-1				±0.033
-2				±0.033
-3				±0.033
-4				±0.033
-5				±0.033
-6				±0.033
-7				±0.033
-8				±0.033
-9				±0.033
-10				±0.033

## 62. Maximum Leveled Output Power

### Instrument Under Test

8560E/EC (Option 002)

### Related Specification

Maximum Leveled Output Power

### Related Adjustment

Tracking Generator Power Level Adjustments

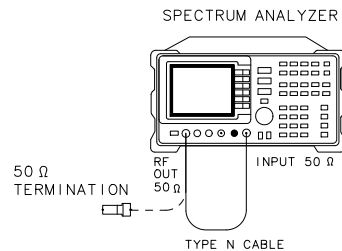
### Description

The tracking generator RF OUT 50  $\Omega$  is connected to the spectrum analyzer INPUT 50  $\Omega$ . Tracking is adjusted at 300 MHz for a maximum signal level.

The tracking generator is stepped to several frequencies throughout its range. At each frequency, the power level is increased until the output goes unlevelled or until a setting of +2.8 dBm is reached. If the output has gone unlevelled, the power is decreased just enough to make the output levelled again. The power level setting is recorded.

Figure 10-75

### Maximum Leveled Output Power Test Setup



dj130e

### Equipment

50  $\Omega$  termination . . . . . Agilent 908A

#### Cable

Type N, 62 cm (24 in.) . . . . . Agilent 11500B/C

### Procedure

1. Connect the type-N cable between the spectrum analyzer RF OUT 50  $\Omega$  and INPUT 50  $\Omega$  connectors. See [Figure 10-75](#).

2. Press **PRESET** on the spectrum analyzer and set the controls as follows:  
Center frequency . . . . . 300 MHz  
Span . . . . . 0 Hz
3. On the spectrum analyzer, press **MKR, AUX CTRL,** and **TRACKING GENERATOR**. Press **SRC PWR ON, 5, -dBm**.
4. On the spectrum analyzer, press **MORE 1 OF 3, TRACKING PEAK**. Wait for the **PEAKING** message to disappear.
5. Remove the type-N cable from the RF OUT 50  $\Omega$  and connect the 50  $\Omega$  termination to the RF OUT 50  $\Omega$ . See [Figure 10-75](#).
6. On the spectrum analyzer, press **MORE 2 OF 3, MORE 3 OF 3, 0, dBm**.
7. Set the spectrum analyzer center frequency to 300 kHz, press **SGL SWP**.
8. Press **AUX CTRL, TRACKING GENERATOR**. Use the knob to increase the **TRK GEN RF POWER** setting until either the **ERR 900 TG UNLVL** message is displayed or the **TRK GEN RF POWER** setting reaches +2.8 dBm (the maximum power level setting).
9. If the **ERR 900 TG UNLVL** message is displayed, reduce the power level in 0.1 dB increments until it disappears.
10. Record the **TRK GEN RF POWER** value in [Table 10-103](#) as the maximum levelled output power.
11. Set the **TRK GEN RF POWER** to 0 dBm.
12. Repeat steps 8 through 11 above for the remaining frequencies listed in [Table 10-103](#).
13. Record below the lowest power level recorded in [Table 10-103](#) under maximum levelled output power:

Maximum levelled output power (min.): \_\_\_\_\_ dB

**Table 10-103**      **Maximum Leveled Output Power**

Center Frequency	Maximum Leveled Output Power (dBm)
300 kHz	
5 MHz	
50 MHz	
100 MHz	
300 MHz	
900 MHz	
1200 MHz	
1500 MHz	
2000 MHz	
2500 MHz	
2900 MHz	

## 63. Power Sweep Range

### Instrument Under Test

8560E/EC (Option 002)

### Related Specification

Power Sweep Range

### Related Adjustment

Tracking Generator Power Level Adjustments

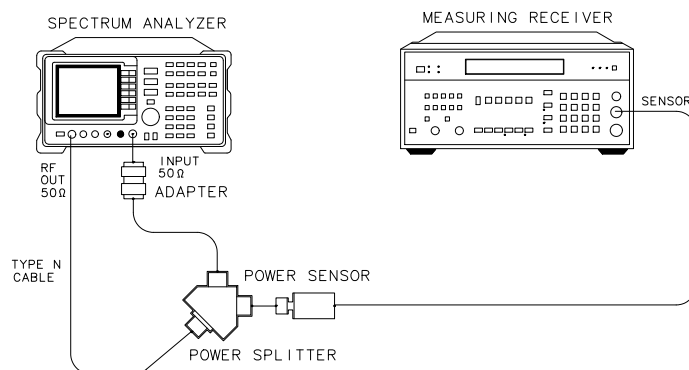
### Description

The tracking generator RF OUT 50  $\Omega$  is connected to the spectrum analyzer INPUT 50  $\Omega$  through a power splitter. The tracking generator is adjusted at 300 MHz for a maximum signal level. A measuring receiver is connected to the other output of the power splitter. The tracking generator is set to do a power sweep from -10 dBm to +1 dBm.

The markers are used to measure the displayed amplitude at the beginning and end of the sweep. The power sweep is then turned off and the tracking generator power level is adjusted to bring the displayed amplitude equal to the amplitude level at the start of the sweep. This power level is measured on the measuring receiver and recorded. The tracking generator power level is adjusted to bring the displayed amplitude equal to the amplitude level at the end of the sweep. This power level is measured and recorded. The difference between the two measured power levels is calculated and recorded.

Figure 10-76

### Power Sweep Range Test Setup



dj131e



### Equipment

Measuring receiver . . . . .	Agilent 8902A
Power sensor . . . . .	Agilent 8482A
Power splitter . . . . .	Agilent 11667A

### Adapter

Type N (m) to type N (m) . . . . .	1250-1475
------------------------------------	-----------

### Cable

Type N, 62 cm (24 in.) . . . . .	Agilent 11500B/C
----------------------------------	------------------

### Procedure

1. Connect the equipment as shown in [Figure 10-76](#). Do not connect the power sensor to the power splitter at this time.
2. Press **PRESET** on the spectrum analyzer and set the controls as follows:  
Center frequency . . . . . 300 MHz  
Span . . . . . 0 Hz
3. On the spectrum analyzer, press **MKR, AUX CTRL, and TRACKING GENERATOR**. Press **SRC PWR ON, 5, -dBm**.
4. On the spectrum analyzer, press **MORE 1 OF 3, TRACKING PEAK**. Wait for the **PEAKING** message to disappear.
5. Zero and calibrate the measuring receiver and power sensor combination in log mode (for power level readouts in dBm). Enter the power sensor 300 MHz cal factor into the measuring receiver. Connect the power sensor to the power splitter as shown in [Figure 10-76](#).
6. On the spectrum analyzer, press **MORE 2 OF 3, MORE 3 OF 3, 10, -dBm, MORE 1 OF 3, MORE 2 OF 3**, then press **PWR SWP ON, 11, dB**. Press **AMPLITUDE, LOG dB/DIV, 2, dB, REF LVL**. Adjust the reference level to bring the peak of the displayed ramp (along the right most graticule) one division below the reference level.
7. Press **MKR**. Use the knob to place the marker at the left most graticule line. The marker should read 0 s. Press **MARKER DELTA**.
8. Press **AUX CTRL, TRACKING GENERATOR, MORE 1 OF 3, MORE 2 OF 3**, then **PWR SWP OFF**. The  $\Delta$  MKR should read 0 dB  $\pm$ 0.1 dB. If not, press **MORE 3 OF 3** and adjust the power level until the marker reads 0 dB  $\pm$ 0.1 dB. Press **SGL SWP**.

**63. Power Sweep Range**

9. Record the power level displayed on the measuring receiver.

Start power level: \_\_\_\_\_ dBm

10. Press **TRIG, SWEEP CONT, AUX CTRL, TRACKING GENERATOR, MORE 1 OF 3, MORE 2 OF 3, and PWR SWP ON.**

11. Press **MKR, MARKER NORMAL.** Use the knob to place the marker at the right most graticule line. The marker should read 50 msec. Press **MARKER DELTA.**

12. Press **AUX CTRL, TRACKING GENERATOR, MORE 1 OF 3, MORE 2 OF 3, PWR SWP OFF,** then **MORE 3 OF 3.** Adjust the power level until the  $\Delta$  MKR reads  $0 \text{ dB} \pm 0.1 \text{ dB}$ .

13. Record the power level displayed on the measuring receiver.

Stop power level \_\_\_\_\_ : dBm

14. Subtract the start power level (from step 9) from the stop power level (step 13) and record the result as the power sweep range.

Power sweep range: \_\_\_\_\_ dB

(Measurement uncertainty:  $\pm 0.049 \text{ dB}$ )

## 64. RF-Power-Off Residuals

### Instrument Under Test

8560E/EC (Option 002)

### Related Specification

Tracking Generator Residuals

### Related Adjustment

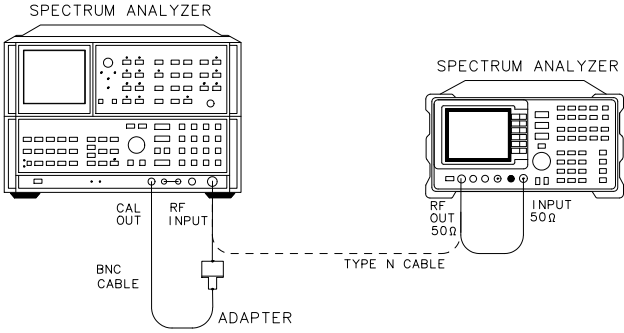
There is no related adjustment for this performance test.

### Description

The tracking generator RF OUT 50 Ω is connected to the spectrum analyzer INPUT 50 Ω. Tracking is adjusted at 300 MHz for a maximum signal level. The tracking generator output is then connected to the input of an 8566A/B spectrum analyzer and the tracking generator is turned off. Several sweeps are taken on the 8566A/B over different frequency spans and the highest displayed residual is measured in each span. The amplitude of the highest residual is recorded.

Figure 10-77

### RF-Power-Off Residuals Test Setup



dj132e

### Equipment

Microwave spectrum analyzer . . . . . Agilent 8566A/B

#### Adapter

Type N (m) to BNC (f) . . . . . 1250-1476

#### Cables

**64. RF-Power-Off Residuals**

Type N, 62 cm (24 in.) . . . . . Agilent 11500B/C

BNC, 23 cm (9 in.) . . . . . Agilent 10502A

**Procedure**

1. Connect the type N cable between the spectrum analyzer RF OUT 50  $\Omega$  and INPUT 50  $\Omega$  connectors. See [Figure 10-77](#).
2. Press **PRESET** on the spectrum analyzer and set the controls as follows:
  - Center frequency . . . . . 300 MHz
  - Span . . . . . 0 Hz
3. On the spectrum analyzer, press **MKR**, **AUX CTRL**, and **TRACKING GENERATOR**. Press **SRC PWR ON**, 5, **-dBm**.
4. On the 8560E/EC spectrum analyzer, press **MORE 1 OF 3**, **TRACKING PEAK**. Wait for the **PEAKING** message to disappear.
5. On the 8560E/EC, press **MORE 2 OF 3**, **MORE 3 OF 3**, **SRC PWR OFF**, **FREQUENCY**, 300, **kHz**, **SGL SWP**.

**NOTE**

It is only necessary to perform step 6 if more than 2 hours have elapsed since front-panel calibration of the Agilent 8566A/B spectrum analyzer has been performed.

6. After the Agilent 8566A/B has warmed up for at least 30 minutes, perform a front-panel calibration as follows:
  - a. Connect a BNC cable between the CAL OUTPUT and RF INPUT.
  - b. Press **2 – 22 GHz**, **INSTR PRESET**, **RECALL**, 8. Adjust AMPTD CAL for a marker amplitude reading of  $-10$  dBm.
  - c. Press **RECALL** 9. Adjust **FREQ ZERO** for a maximum amplitude response.
  - d. Press **SHIFT**, **FREQUENCY SPAN** to start the 30 second internal error correction routine.
7. Connect the type-N cable from the tracking generator RF OUT 50  $\Omega$  to the Agilent 8566A/B RF INPUT. See [Figure 10-77](#).
8. Set the Agilent 8566A/B REFERENCE LEVEL to  $-20$  dBm.
9. Set the Agilent 8566A/B START FREQUENCY, STOP FREQUENCY, and RES BW as indicated in the first row of [Table 10-104](#).
10. Press **SINGLE** and wait for the sweep to finish. Press **PEAK SEARCH**.
11. If the marker is on a suspected residual response, as opposed to a noise peak, press **SINGLE** again and wait for the sweep to finish. A residual response persists on successive sweeps, but a noise peak does not.

**NOTE**

If the Agilent 8566A/B marker frequency is greater than or equal to 2.5 GHz, press

**PRESEL PEAK** and wait for the **PEAKING** message to disappear before recording the marker amplitude.

12. Record the marker amplitude and frequency reading in [Table 10-104](#) as the residual amplitude and frequency.
13. Repeat steps 9 through 12 for the remaining Agilent 8566A/B **START FREQUENCY**, **STOP FREQUENCY**, and **RES BW** settings in [Table 10-104](#).
14. Locate the residual response in [Table 10-104](#) with the highest amplitude. Record the amplitude and frequency of this residual below:

Residual response amplitude: \_\_\_\_\_ dBm

Residual response frequency: \_\_\_\_\_ MHz

**Table 10-104 RF-Power-Off Residual Responses**

Agilent 8566A/B Settings			Residual Response		Measurement Uncertainty (dB)
Start Frequency	Stop Frequency	RES BW	Amplitude (dBm)	Frequency (MHz)	
300 kHz	1 MHz	3 kHz			+1.33/-1.56
1 MHz	100 MHz	10 kHz			+1.33/-1.56
100 MHz	500 MHz	10 kHz			+1.33/-1.56
500 MHz	1000 MHz	10 kHz			+1.33/-1.56
1000 MHz	1500 MHz	10 kHz			+1.33/-1.56
1500 MHz	2000 MHz	10 kHz			+1.33/-1.56
2000 MHz	2500 MHz	10 kHz			+1.33/-1.56
2500 MHz	2900 MHz	10 kHz			+2.02/-2.50

## 65. Harmonic Spurious Outputs

### Instrument Under Test

8560E/EC (Option 002)

### Related Specification

Harmonic Spurious Outputs

### Related Adjustment

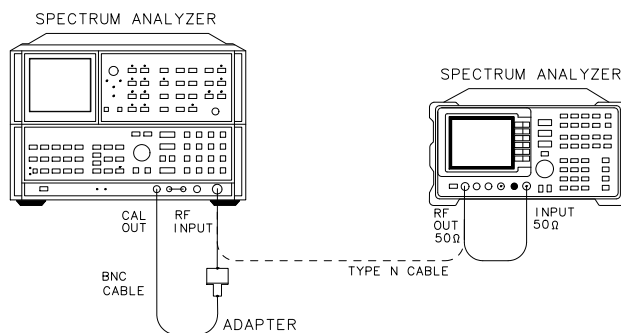
There is no related adjustment for this performance test.

### Description

The tracking generator RF OUT 50  $\Omega$  is connected to the spectrum analyzer INPUT 50  $\Omega$ . Tracking is adjusted at 300 MHz for a maximum signal level. The tracking generator output is then connected to the input of an Agilent 8566A/B spectrum analyzer. The tracking generator is tuned to several frequencies and the amplitude of the second and third harmonics relative to the fundamental are measured at each frequency.

Figure 10-78

### Harmonic Spurious Outputs Test Setup



dj132e

### Equipment

Microwave spectrum analyzer . . . . . Agilent 8566A/B

#### Adapter

Type N (m) to BNC (f) . . . . . 1250-1476

**Cables**

- Type N, 62 cm (24 in.) . . . . . Agilent 11500B/C
- BNC, 23 cm (9 in.) . . . . . Agilent 10502A

**Procedure**

1. Connect the type N cable between the spectrum analyzer RF OUT 50 Ω and INPUT 50 Ω connectors. See [Figure 10-78](#).
2. Press **PRESET** on the spectrum analyzer and set the controls as follows:
  - Center frequency . . . . . 300 MHz
  - Span . . . . . 0 Hz
3. On the spectrum analyzer, press **MKR, AUX CTRL, and TRACKING GENERATOR**. Press **SRC PWR ON, 5, -dBm**.
4. On the 8560E/EC spectrum analyzer, press **MORE 1 OF 3, TRACKING PEAK**. Wait for the **PEAKING** message to disappear.
5. On the 8560E/EC, press **MORE 2 OF 3, MORE 3 OF 3, 1, +dBm, FREQUENCY, 300, kHz, SGL SWP**.

---

**NOTE**

It is only necessary to perform step 6 if more than 2 hours have elapsed since front-panel calibration of the Agilent 8566A/B spectrum analyzer has been performed.

6. After the Agilent 8566A/B has warmed up for at least 30 minutes, perform a front-panel calibration as follows:
  - a. Connect a BNC cable between the **CAL OUTPUT** and **RF INPUT**.
  - b. Press **2 – 22 GHz, INSTR PRESET, RECALL, 8**. Adjust **AMPTD CAL** for a marker amplitude reading of **-10 dBm**.
  - c. Press **RECALL, 9**. Adjust **FREQ ZERO** for a maximum amplitude response.
  - d. Press **SHIFT, FREQUENCY SPAN** to start the 30 second internal error correction routine.
7. Connect the type N cable from the tracking generator RF OUT 50 Ω to the Agilent 8566A/B RF INPUT. See [Figure 10-78](#).
8. Set the Agilent 8566A/B controls as follows:
  - Center frequency . . . . . 300 kHz
  - Span . . . . . 100 kHz
  - Reference level . . . . . +5 dBm
  - Resolution BW . . . . . 3 kHz

**65. Harmonic Spurious Outputs**

9. On the Agilent 8566A/B, perform the following:
- Press **PEAK SEARCH, SIGNAL TRACK (ON)**. Wait until the peaked signal peak is centered on the display.
  - If the marker frequency is less than 2.5 GHz, press **PEAK SEARCH, MKR/→STEP SIZE**, and **MARKER \Δ**.
  - If the marker frequency is greater than 2.5 GHz, press **PEAK SEARCH, PRESEL PEAK**, then wait for the **PEAKING** message to disappear. Press **MKR → CF STEP** and **MARKER DELTA**.
  - Press **CENTER FREQUENCY**,  $\uparrow$  to tune to the second harmonic. If the center frequency is greater than 2 GHz, press  $\uparrow$ , **SHIFT, CONT, CENTER FREQUENCY**,  $\downarrow$ . Press **PEAK SEARCH**. If the center frequency is greater than 2.5 GHz, press **PRESEL PEAK**, wait for the **PEAKING** message to disappear. Record the marker amplitude reading in [Table 10-105](#) as the 2nd harmonic level for the 300 kHz tracking generator output frequency.
    - *If the tracking generator output frequency is less than 1 GHz, skip step 9e and continue with step 9f.*
  - Press **CENTER FREQUENCY**,  $\uparrow$  to tune to the third harmonic. If the center frequency is greater than 2 GHz, press  $\uparrow$ , **SHIFT, CONT, CENTER FREQUENCY**,  $\downarrow$ . Press **PEAK SEARCH**. If the center frequency is greater than 2.5 GHz, press **PRESEL PEAK**, wait for the **PEAKING** message to disappear. Record the marker amplitude reading in [Table 10-105](#) as the 3rd Harmonic Level for the 300 kHz tracking generator output frequency.
  - Press **MARKER, MARKERS OFF**.
10. Repeat step 8 and 9 for the remaining tracking generator output frequencies listed in [Table 10-105](#). Note that the 8560E/EC center frequency is the same as the tracking generator output frequency.
11. Locate the most positive 2nd harmonic response level in [Table 10-105](#) and record the value here:

2nd harmonic response level: \_\_\_\_\_ dBc

12. Locate the most positive 3rd harmonic response level in [Table 10-105](#) and record the value here:

3rd harmonic response level: \_\_\_\_\_ dBc

**Table 10-105****Harmonic Spurious Responses**

Tracking Generator Frequency	2nd Harmonic Response Level (dBc)	3rd Harmonic Response Level (dBc)	Measurement Uncertainty (dB)
300 kHz			+1.55/–1.80
100 MHz			+1.55/–1.80



**Table 10-105**      **Harmonic Spurious Responses**

<b>Tracking Generator Frequency</b>	<b>2nd Harmonic Response Level (dBc)</b>	<b>3rd Harmonic Response Level (dBc)</b>	<b>Measurement Uncertainty (dB)</b>
300 MHz			+1.55/–1.80
1 GHz		N/A	+1.55/–1.80
1.4 GHz		N/A	+3.45/–4.01

## 66. Non-Harmonic Spurious Outputs

### Instrument Under Test

8560E/EC (Option 002)

### Related Specification

Non-Harmonic Spurious Outputs

### Related Adjustment

There is no related adjustment for this performance test.

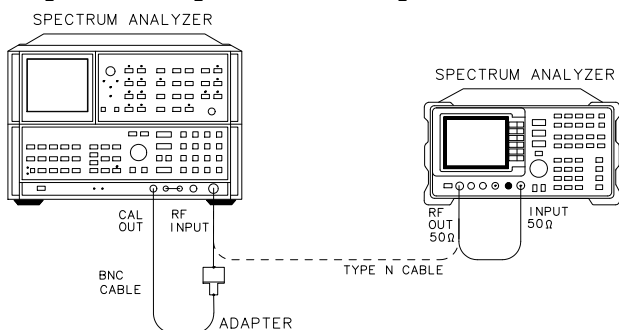
### Description

The tracking generator RF OUT 50  $\Omega$  is connected to the spectrum analyzer INPUT 50  $\Omega$ . Tracking is adjusted at 300 MHz for a maximum signal level. The tracking generator output is then connected to the input of an Agilent 8566A/B spectrum analyzer. The tracking generator is tuned to several output frequencies.

At each output frequency, several sweeps are taken on the Agilent 8566A/B over different frequency spans. The highest displayed spurious response is measured in each span. Responses at the fundamental of the tracking generator output frequency or their harmonics are ignored. The amplitude of the highest spurious response is recorded.

Figure 10-79

### Non-Harmonic Spurious Responses Test Setup



dj132e

### Equipment

Microwave spectrum analyzer . . . . . Agilent 8566A/B

### Adapter

Type N (m) to BNC (f) . . . . . 1250-1476

### Cables

Type N, 62 cm (24 in.) . . . . .	Agilent 11500B/C
BNC, 23 cm (9 in.) . . . . .	Agilent 10502A

### Procedure

1. Connect the type-N cable between the spectrum analyzer RF OUT 50  $\Omega$  and INPUT 50  $\Omega$  connectors. See [Figure 10-79](#).
2. Press **PRESET** on the spectrum analyzer and set the controls as follows:  
Center frequency . . . . . 300 MHz  
Span . . . . . 0 Hz
3. On the spectrum analyzer, press **MKR**, **AUX CTRL**, and **TRACKING GENERATOR**. Press **SRC PWR ON**, 5, **-dBm**.
4. On the 8560E/EC spectrum analyzer, press **MORE 1 OF 3**, **TRACKING PEAK**. Wait for the **PEAKING** message to disappear.
5. On the 8560E/EC, press **MORE 2 OF 3**, **MORE 3 OF 3**, 1, **+dBm**, **FREQUENCY**, 300, **kHz**, **SGL SWP**.

---

#### NOTE

It is only necessary to perform step 6 if more than 2 hours have elapsed since front-panel calibration of the Agilent 8566A/B spectrum analyzer has been performed.

---

6. After the Agilent 8566A/B has warmed up for at least 30 minutes, perform a front-panel calibration as follows:
  - a. Connect a BNC cable between the CAL OUTPUT and RF INPUT.
  - b. Press **2 – 22 GHz**, **INSTR PRESET**, **RECALL**, 8. Adjust **AMPTD CAL** for a marker amplitude reading of **-10 dBm**.
  - c. Press **RECALL**, 9. Adjust **FREQ ZERO** for a maximum amplitude response.
  - d. Press **SHIFT**, **FREQUENCY SPAN** to start the 30 second internal error correction routine.
  - e. After the correction routine is completed, press **SHIFT**, **START FREQ** to use the error correction factors just calculated.
7. Connect the type-N cable from the tracking generator RF OUT 50  $\Omega$  to the Agilent 8566A/B RF INPUT. See [Figure 10-79](#).

### Measure Fundamental Amplitudes

**66. Non-Harmonic Spurious Outputs**

8. Set the 8560E/EC center frequency to the fundamental frequency listed in [Table 10-106](#).
9. Set the Agilent 8566A/B controls as follows:
  - Reference level . . . . . +5 dBm
  - Attenuator . . . . . 20 dB
  - Span . . . . . 100 kHz
10. Set the Agilent 8566A/B center frequency to the fundamental frequency listed in [Table 10-106](#).
11. Press **PEAK SEARCH** on the Agilent 8566A/B. If the marker frequency is greater than 2.5 GHz, press **PRESEL PEAK**, wait for the PEAKING message to disappear. Press **MKR** → **REF LVL**. Wait for the sweep to complete.
12. Record the marker amplitude reading in [Table 10-106](#) as the fundamental amplitude.
13. Repeat step 8 through 12 for the remaining fundamental frequencies listed in [Table 10-106](#).

**Measuring Non-Harmonic Responses**

14. On the 8560E/EC, set the center frequency to 300 kHz.
15. Set the Agilent 8566A/B START FREQ, STOP FREQ, and RES BW to the settings indicated in the first rows of [Table 10-106](#).
16. Press **SINGLE** on the Agilent 8566A/B and wait for the sweep to finish. Press **PEAK SEARCH**. If the marker frequency is greater than 2.5 GHz, on the Agilent 8566A/B press **PRESEL PEAK** and wait for the PEAKING message to disappear.
17. Use the following steps to verify that the marked signal is not the fundamental or a harmonic of the fundamental:
  - a. Divide the marker frequency by the fundamental frequency (the 8560E/EC center frequency).
    - As an example: If the marker frequency = 880 kHz
    - If the fundamental frequency = 300 kHz
    - Result: 880 kHz/300 kHz = 2.933
  - b. Round the result to the nearest whole number.
    - Following the above example: round 2.933 to 3
  - c. Multiply the fundamental frequency by the rounded number.
    - $3 \times 300 \text{ kHz} = 900 \text{ kHz}$
  - d. Calculate the difference between the marker frequency and the result in step c.

Step c result = 900 kHz Marker frequency = 880 kHz The difference = 20 kHz

- e. Due to Agilent 8566A/B span accuracy uncertainties, the marker frequency may not equal the actual frequency. Given the marker frequency, verify whether the difference calculated in step d is within appropriate tolerance:

Marker frequencies < 5 MHz, tolerance =  $\pm 200$  kHz

Marker frequencies < 55 MHz, tolerance =  $\pm 750$  kHz

Marker frequencies > 55 MHz, tolerance =  $\pm 10$  MHz

- f. Ignore this response *if* the difference in step d is within the indicated tolerance; the signal in question is the fundamental signal (if the number in step b = 1) or a harmonic of the fundamental (if the number in step b > 1).

18. Verify that the marked signal is a true response and not a random noise peak. Do so by pressing **SINGLE** to trigger a new sweep, then press **PEAK SEARCH**. A true response remains at the same frequency and amplitude for successive sweeps, noise peaks do not.

19. If the marked signal is either the fundamental, a harmonic of the fundamental (refer to step 17), or a noise peak (refer to step 18), move the marker to the next highest signal by pressing **SHIFT** then **PEAK SEARCH**. Continue with step 17. Record this difference as the non-harmonic response amplitude for the appropriate 8560E/EC center frequency and Agilent 8566A/B start and stop frequency settings in [Table 10-106](#).

20. If the marked signal is not the fundamental or a harmonic of the fundamental (refer to step 17) and is a true response (refer to step 18), calculate the difference between the marked signal amplitude and the fundamental amplitude listed in [Table 10-106](#).

If the fundamental frequency = 300 kHz

And the signal fundamental amplitude = +1.2 dBm

If the marker amplitude = -30 dBm

The result = -32 dBc

21. Record this difference as the non-harmonic response amplitude for the appropriate 8560E/EC center frequency and Agilent 8566A/B start and stop frequency settings in [Table 10-107](#).

Non-harmonic amplitude = marker amplitude – fundamental amplitude

22. If a true non-harmonic spurious response is not found, record NOISE as the non-harmonic response amplitude for the appropriate 8560E/EC center frequency and Agilent 8566A/B start and stop frequency settings in [Table 10-107](#).

23. Repeat steps 16 through 21 for the remaining Agilent 8566A/B START FREQ, STOP FREQ and RES BW settings and 8560E/EC center frequency.

24. Repeat steps 15 through 22 with the 8560E/EC center frequency set to 1.5 GHz.

25. Repeat steps 15 through 22 with the 8560E/EC center frequency set to

**66. Non-Harmonic Spurious Outputs**

2.9 GHz.

26. Locate the most positive non-harmonic response amplitude in [Table 10-107](#) for Agilent 8566A/B stop frequency settings  $\leq 2000$  MHz and record the value here:

Non-harmonic  
response amplitude ( $\leq 2000$  MHz): \_\_\_\_\_ dBc

27. Locate the most positive non-harmonic response amplitude for Agilent 8566A/B start frequency settings  $\geq 2000$  MHz in [Table 10-107](#) and record the value here:

Non-harmonic  
response amplitude ( $\geq 2000$  MHz): \_\_\_\_\_ dBc

**Table 10-106 Fundamental Response Amplitudes**

Fundamental Frequency	Fundamental Amplitude (dBm)
300 kHz	
1.5 GHz	
2.9 GHz	

**Table 10-107 Non-Harmonic Spurious Responses**

Agilent 8566A/B Settings			Non-Harmonic Response Amplitude (dBc)			Measurement Uncertainty (dB)
Start Frequency (MHz)	Stop Frequency (MHz)	RES BW	@ 300 kHz Center Freq	@ 1.5 GHz Center Freq	@ 2.9 GHz Center Freq	
0.3	5.0	30 kHz				+1.55/–1.80
5.0	55	100 kHz				+1.55/–1.80
55	1240	1 MHz				+1.55/–1.80
1240	2000	1 MHz				+1.55/–1.80
2000	2900	1 MHz				+3.48/–4.01

## 67. LO Feedthrough Amplitude

### Instrument Under Test

8560E/EC (Option 002)

### Related Specification

Tracking Generator LO Feedthrough

### Related Adjustment

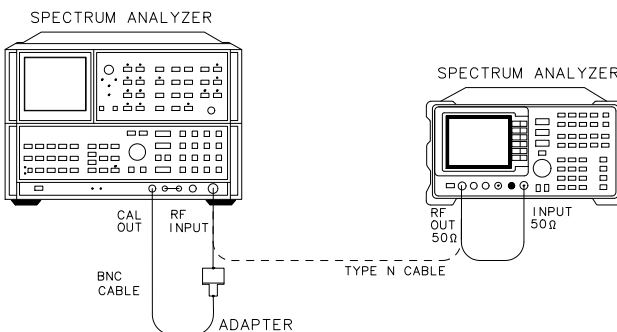
There is no related adjustment for this performance test.

### Description

The tracking generator RF OUT 50  $\Omega$  is connected to the spectrum analyzer INPUT 50  $\Omega$ . Tracking is adjusted at 300 MHz for a maximum signal level. The tracking generator output is then connected to the input of an Agilent 8566A/B spectrum analyzer. The tracking generator is tuned to several output frequencies and the LO feedthrough is measured at the frequency extremes of the LO.

Figure 10-80

### LO Feedthrough Amplitude Test Setup



### Equipment

Microwave spectrum analyzer . . . . . Agilent 8566A/B

#### Adapter

Type N (m) to BNC (f) . . . . . 1250-1476

#### Cables

Type N, 62 cm (24 in.) . . . . . Agilent 11500B/C



BNC, 23 cm (9 in.) . . . . .Agilent 10502A

**Procedure**

1. Connect the type N cable between the spectrum analyzer RF OUT 50 Ω and INPUT 50 Ω connectors. See [Figure 10-80](#).
2. Press **PRESET** on the spectrum analyzer and set the controls as follows:  
Center frequency . . . . . 300 MHz  
Span . . . . . 0 Hz
3. On the spectrum analyzer, press **MKR, AUX CTRL,** and **TRACKING GENERATOR**. Press **SRC PWR ON, 5, -dBm**.
4. On the 8560E/EC spectrum analyzer, press **MORE 1 OF 3, TRACKING PEAK**. Wait for the **PEAKING** message to disappear.
5. On the 8560E/EC, press **MORE 2 OF 3, MORE 3 OF 3, 1, +dBm, FREQUENCY, 300, kHz, SGL SWP**.

---

**NOTE**

---

It is only necessary to perform step 6 if more than 2 hours have elapsed since front-panel calibration of the Agilent 8566A/B spectrum analyzer has been performed.

6. After the Agilent 8566A/B has warmed up for at least 30 minutes, perform a front-panel calibration as follows:
  - a. Connect a BNC cable between the **CAL OUTPUT** and **RF INPUT**.
  - b. Press **2 – 22 GHz, INSTR PRESET, RECALL, 8**. Adjust **AMPTD CAL** for a marker amplitude reading of **-10 dBm**.
  - c. Press **RECALL, 9**. Adjust **FREQ ZERO** for a maximum amplitude response.
  - d. Press **SHIFT, FREQUENCY SPAN** to start the 30 second internal error correction routine.
  - e. After the correction routine is completed, press **SHIFT, START FREQ** to use the error correction factors just calculated.
7. Connect the type-N cable from the tracking generator RF OUT 50 Ω to the Agilent 8566A/B RF INPUT. See [Figure 10-80](#).

**67. LO Feedthrough Amplitude**

8. Set the Agilent 8566A/B controls as follows:

Center frequency . . . . . 3.911 GHz  
Span . . . . . 100 kHz  
Reference level . . . . . 0 dBm  
Resolution BW . . . . . 1 kHz

9. On the Agilent 8566A/B, press **PEAK SEARCH, SIGNAL TRACK (ON)**. Wait for the signal to be displayed at center screen.

10. On the Agilent 8566A/B, press **PEAK SEARCH, PRESEL PEAK**. Wait for the PEAKING message to disappear.

11. Record the Agilent 8566A/B marker amplitude reading below:

LO feedthrough (at 3.911 GHz): \_\_\_\_\_ dBm  
(Measurement uncertainty: +2.02/–2.50 dB)

12. Set the 8560E/EC center frequency to 2.9 GHz.

13. Set the Agilent 8566A/B center frequency to 6.8107 GHz.

14. On the Agilent 8566A/B, press **PEAK SEARCH, SIGNAL TRACK (ON)**. Wait for the signal to be displayed at center screen.

15. On the Agilent 8566A/B, press **PEAK SEARCH, PRESEL PEAK**. Wait for the PEAKING message to disappear.

16. Record the Agilent 8566A/B marker amplitude reading below:

LO feedthrough (at 6.8107 GHz): \_\_\_\_\_ dBm  
(Measurement uncertainty: +2.10/–2.67 dB)

## 68. Tracking Generator Feedthrough

### Instrument Under Test

8560E/EC (Option 002)

### Related Specification

Tracking Generator Feedthrough

### Related Adjustment

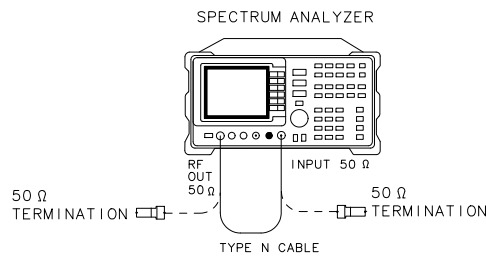
There is no related adjustment for this performance test.

### Description

The tracking generator RF OUT 50  $\Omega$  is connected to the spectrum analyzer INPUT 50  $\Omega$ . Tracking is adjusted at 300 MHz for a maximum signal level. The tracking generator output is then terminated in 50  $\Omega$  and set for +1 dBm output power (maximum leveled output power). The INPUT 50  $\Omega$  of the spectrum analyzer is terminated as well. The analyzer displayed average noise level is measured at several frequency ranges.

Figure 10-81

### Tracking Generator Feedthrough Test Setup



dj136e

### Equipment

50  $\Omega$  termination (2 required) . . . . . Agilent 908A

#### Adapter

Type N (m) to BNC (f) . . . . . 1250-1476

### Cables

Type N, 62 cm (24 in.) . . . . .	Agilent 11500B/C
BNC, 23 cm (9 in.) . . . . .	Agilent 10502A

### Procedure

1. Connect the type N cable between the spectrum analyzer RF OUT 50  $\Omega$  and INPUT 50  $\Omega$  connectors. See [Figure 10-81](#).
2. Press **PRESET** on the spectrum analyzer and set the controls as follows:  
Center frequency . . . . . 300 MHz  
Span . . . . . 0 Hz
3. On the spectrum analyzer, press **MKR, AUX CTRL,** and **TRACKING GENERATOR**. Press **SRC PWR ON, 5, -dBm**.
4. On the 8560E/EC spectrum analyzer, press **MORE 1 OF 3, TRACKING PEAK**. Wait for the **PEAKING** message to disappear.
5. Connect the analyzer CAL OUTPUT to the INPUT 50  $\Omega$ , then set the controls as follows:  
Reference level . . . . . -10 dBm  
Attenuator . . . . . 0 dB  
Resolution BW . . . . . 300 Hz  
Video BW . . . . . 1 Hz
6. Press **MKR, CAL, REF LVL ADJ**.
7. Use the knob or step keys to set the REF LEVEL ADJ # value to a marker amplitude reading of -10.00 dBm  $\pm$ 0.17 dB.
8. Connect one Agilent 908A 50  $\Omega$  termination to the 8560E/EC INPUT 50  $\Omega$  connector and another to the tracking generator RF OUT 50  $\Omega$ .
9. Press **AUX CTRL, TRACKING GENERATOR, 1, +dBm**.
10. Set the spectrum analyzer controls as follows:  
Center frequency . . . . . 300 kHz  
Frequency offset . . . . . -10 kHz  
Span . . . . . 0 Hz  
Reference level . . . . . -50 dBm

Markers ..... off  
 Resolution BW ..... 300 Hz  
 Video BW ..... 1 Hz

**NOTE** A -10 kHz offset is added to avoid known residual responses.

11. Press **SGL SWP** and wait for the sweep to finish. Press **MKR**, then record the MKR amplitude reading in [Table 10-108](#) for the tracking generator 300 kHz output frequency.
12. Repeat step 11 for the remaining tracking generator output frequencies listed in [Table 10-108](#).
13. In [Table 10-108](#), locate the most positive noise level amplitude for the 300 kHz to 1 MHz frequency range. Record this amplitude here:  
 TG feedthrough, 300 kHz to 1 MHz: \_\_\_\_\_ dBm
14. In [Table 10-108](#), locate the most positive noise level amplitude for the 1 MHz to 2.0 GHz frequency range. Record this amplitude here:  
 TG feedthrough, 1 MHz to 2.0 GHz: \_\_\_\_\_ dBm
15. In [Table 10-108](#), locate the most positive noise level amplitude for the 2.0 GHz to 2.9 GHz frequency range. Record this amplitude here:  
 TG feedthrough, 2.0 GHz to 2.9 GHz: \_\_\_\_\_ dBm

**Table 10-108 Tracking Generator Feedthrough Amplitude**

Frequency Range	Tracking Generator Output Frequency	Noise Level Amplitude (dBm)	Measurement Uncertainty (dB)
300 kHz to 1 MHz	300 kHz		+1.24/-1.37
	400 kHz		+1.24/-1.37
	500 kHz		+1.24/-1.37
	600 kHz		+1.24/-1.37
	700 kHz		+1.24/-1.37
	800 kHz		+1.24/-1.37
	900 kHz		+1.24/-1.37
	1 MHz		+1.24/-1.37

**Table 10-108**

**Tracking Generator Feedthrough Amplitude (Continued)**

<b>Frequency Range</b>	<b>Tracking Generator Output Frequency</b>	<b>Noise Level Amplitude (dBm)</b>	<b>Measurement Uncertainty (dB)</b>
1 MHz to 2.0 GHz	1.01 MHz		+1.24/-1.37
	2 MHz		+1.24/-1.37
	5 MHz		+1.24/-1.37
	10 MHz		+1.24/-1.37
	20 MHz		+1.24/-1.37
	50 MHz		+1.24/-1.37
	100 MHz		+1.24/-1.37
	300 MHz		+1.24/-1.37
	500 MHz		+1.24/-1.37
	700 MHz		+1.24/-1.37
	900 MHz		+1.24/-1.37
	1100 MHz		+1.24/-1.37
	1300 MHz		+1.24/-1.37
	1500 MHz		+1.24/-1.37
	1700 MHz		+1.24/-1.37
1900 MHz		+1.24/-1.37	
2000 MHz		+1.24/-1.37	
2.0 GHz to 2.9 GHz	2001 MHz		+1.24/-1.37
	2100 MHz		+1.24/-1.37
	2300 MHz		+1.24/-1.37
	2500 MHz		+1.24/-1.37
	2700 MHz		+1.24/-1.37
	2800 MHz		+1.24/-1.37
	2900 MHz		+1.24/-1.37

## 69. Frequency Tracking Range

### Instrument Under Test

8560E/EC (Option 002)

### Related Characteristic

None

### Related Adjustment

Tracking Oscillator Range Adjustment

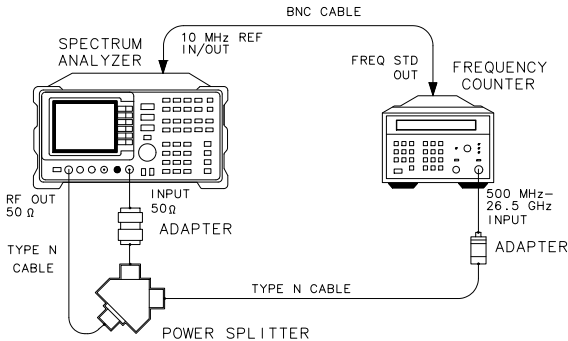
### Description

The tracking generator RF OUT 50 Ω is connected to the spectrum analyzer INPUT 50 Ω through a power splitter. Tracking is adjusted at 300 MHz for a maximum signal level.

The coarse and fine tracking adjustments are set to their maximum values and the frequency is recorded, then compared with the first frequency measurement. The tracking adjustments are set to their minimum values and the frequency recorded then compared with the first frequency measurement.

If the frequency tracking range is not greater than ±5 kHz, it is necessary to perform the Tracking Oscillator Range Adjustment. Refer to *Agilent Technologies 8560E/EC Spectrum Analyzer Service Guide*.

Figure 10-82 Frequency Tracking Range Test Setup



dj137e

### Equipment

- Frequency counter . . . . . Agilent 5343A
- Power splitter . . . . . Agilent 11667A

**69. Frequency Tracking Range**

**Adapter**

Type N (m) to type N (m). . . . . 1250-1745

**Cables**

Type N, 62 cm (24 in.) (2 required) . . . . . Agilent 11500B/C

BNC, 122 cm (48 in.) . . . . . Agilent 10503A

**Procedure**

1. Connect the equipment as shown in [Figure 10-82](#). The frequency counter provides the frequency reference for the spectrum analyzer.
2. Press **PRESET** on the spectrum analyzer and set the controls as follows:
  - Center frequency . . . . . 500 MHz
  - Span . . . . . 0 Hz
3. On the spectrum analyzer, press **MKR, AUX CTRL, REAR PANEL, 10 MHz EXT** to place the spectrum analyzer in external frequency reference mode. Press **PREV MENU, TRACKING GENERATOR, SRC PWR ON, 0, dBm, MORE 1 OF 3**.
4. On the spectrum analyzer, press **TRACKING PEAK** and wait for the **PEAKING** message to disappear.
5. Set the frequency counter controls as follows:
  - Sample rate . . . . . Midrange
  - 10 Hz – 500 MHz or
  - 500 MHz – 26.5 GHz Switch . . . . . 500 MHz – 26.5 GHz
  - Resolution . . . . . 1 Hz
6. Wait for the counter to gate two or three times, then record the counter reading below as the peaked frequency:
 

Peaked frequency: \_\_\_\_\_ MHz
7. On the spectrum analyzer, press **MAN TRK ADJ, 255, Hz**. Rotate the knob clockwise until the **FINE TRACK ADJ** value reads #255.
8. Wait for the counter to gate two or three times, then record the counter reading below as the minimum frequency.
 

Minimum frequency: \_\_\_\_\_ MHz
9. On the spectrum analyzer, press **MAN TRK ADJ, 0, Hz**. Rotate the knob counterclockwise until the **FINE TRACK ADJ** value reads #0.



**69. Frequency Tracking Range**

10. Wait for the counter to gate two or three times, then record the counter reading below as the maximum frequency.

Maximum frequency: \_\_\_\_\_ MHz

11. Subtract the minimum frequency from the peaked frequency and record the result as the negative frequency variation. The variation should be greater than 5 kHz. Perform the Tracking Oscillator Range Adjustment if the variation is less than 5 kHz.

Negative frequency variation: \_\_\_\_\_ kHz

12. Subtract the maximum frequency from the peaked frequency and record the result as the positive frequency variation. The variation should be greater than 5 kHz. Perform the Tracking Oscillator Range Adjustment if the variation is less than 5 kHz.

Positive frequency variation: \_\_\_\_\_ kHz

## 70. Tracking Generator Frequency Accuracy

### Instrument Under Test

8560E/EC (Option 002)

### Related Specification

Tracking Generator Frequency Readout Accuracy

### Related Adjustment

10 MHz Frequency Reference Adjustment  
YTO Adjustments

### Description

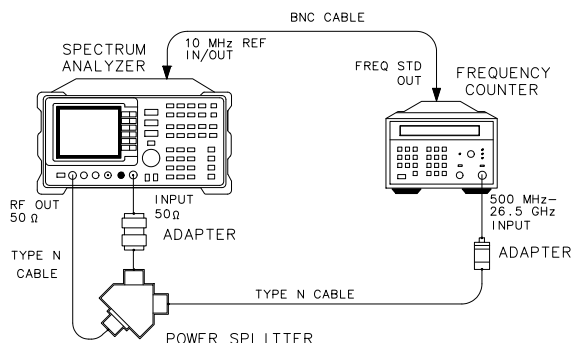
The tracking generator RF OUT 50  $\Omega$  is connected to the spectrum analyzer INPUT 50  $\Omega$  through a power splitter. Tracking is adjusted at 300 MHz for a maximum signal level. The other power splitter output is connected to a frequency counter. The displayed counter frequency is recorded. This process is repeated at several output frequencies.

The effect of the (frequency  $\times$  frequency reference error) term is eliminated by locking the spectrum analyzer to the frequency counter 10 MHz reference. The 5% of SPAN setting term is also eliminated by setting the SPAN to zero. These terms may be eliminated for the purpose of this test since these are measured in the 10 MHz Reference Accuracy and Frequency Span Accuracy tests.

The remaining term is a function of the tracking adjustment and cannot be eliminated. It is the effect of this term which is verified in this test.

Figure 10-83

### Tracking Generator Frequency Accuracy Test Setup



dj137e

### Equipment

Frequency counter . . . . . Agilent 5343A

Power splitter . . . . . Agilent 11667A

**Adapters**

Type N (m) to type N (m) . . . . . 1250-1475

Type N (f) to APC 3.5 (f) . . . . . 1250-1745

**Cables**

Type N, 62 cm (24 in.) (2 required) . . . . . Agilent 11500B/C

BNC, 122 cm (48 in.) . . . . . Agilent 10503A

**Procedure**

1. Connect the equipment as shown in [Figure 10-83](#).
2. Press **PRESET** on the spectrum analyzer and set the controls as follows:
  - Center frequency . . . . . 500 MHz
  - Span . . . . . 0 Hz
3. On the spectrum analyzer, press **MKR, AUX CTRL, REAR PANEL, 10 MHz EXT** to place the spectrum analyzer in external frequency reference mode. Press **PREV MENU, TRACKING GENERATOR, SRC PWR ON, 0, dBm**.
4. On the spectrum analyzer, press **AUX CTR, TRACKING GENERATOR, MORE 1 OF 3, TRACKING PEAK** and wait for the **PEAKING** message to disappear.
5. Set the frequency counter controls as follows:
  - Sample rate . . . . . Midrange
  - 10 Hz – 500 MHz or
  - 500 MHz – 26.5 GHz Switch . . . . . 500 MHz – 26.5 GHz
  - Resolution . . . . . 1 Hz
6. Wait for the counter to gate two or three times, then record the counter reading in [Table 10-109](#) for the 500 MHz center frequency setting.
7. Repeat steps 4 through 6 for the remaining center frequency settings in [Table 10-108](#).
8. Subtract the center frequency value from the measured frequency for each center frequency setting in [Table 10-108](#) and record the result as the frequency error.
9. Locate in [Table 10-108](#) the greatest frequency error, treating negative frequency errors as if they were positive. For example, if the frequency errors are –240, +110, –80, and +142 Hz, the greatest frequency error would be

**70. Tracking Generator Frequency Accuracy**

–240 Hz. Record the greatest frequency error below:

Frequency error: \_\_\_\_\_ Hz

**Table 10-109****Frequency Accuracy**

<b>CENTER FREQ Setting (MHz)</b>	<b>Measured Frequency (MHz)</b>	<b>Frequency Error (Hz)</b>	<b>Measurement Uncertainty (Hz)</b>
500			±1.0
1000			±1.0
1500			±1.0
2000			±1.0
2500			±1.0
2900			±1.0

---

**11** **8560E/EC Performance Test Record**

## Test Record

**Table 11-1 8560E/EC Performance Test Record**

Agilent Technologies		Report No. _____	
Address: _____		Date _____	
_____		_____	
Select model: 8560E ___ 8560EC ___		Options _____	
Serial No. _____		_____	
Firmware Revision _____		_____	
Customer _____		Tested by _____	
Ambient temperature _____ °C		Relative humidity _____ %	
Power mains line frequency _____ Hz (nominal)		_____	
<b>Test Equipment Used</b>			
<b>Description</b>	<b>Model No.</b>	<b>Trace No.</b>	<b>Cal Due Date</b>
Microwave Spectrum Analyzer	_____	_____	_____
(8560E/EC Opt. 002 only)			
Synthesized Sweeper #1	_____	_____	_____
Synthesized Sweeper #2	_____	_____	_____
Synthesized Signal Generator	_____	_____	_____
Synthesizer/Level Generator	_____	_____	_____
Measuring Receiver	_____	_____	_____
RF Power Sensor	_____	_____	_____
Low-Power Power Sensor	_____	_____	_____
Pulse/Function Generator	_____	_____	_____
Microwave Frequency Counter	_____	_____	_____
Oscilloscope	_____	_____	_____
Frequency Counter	_____	_____	_____
Universal Frequency Counter	_____	_____	_____
Amplifier	_____	_____	_____
Frequency Standard	_____	_____	_____
Power Splitter	_____	_____	_____
50 MHz Low-Pass Filter	_____	_____	_____
50 Ω Termination	_____	_____	_____
20 dB Fixed Attenuator	_____	_____	_____
10 dB Fixed Attenuator	_____	_____	_____
10 dB Step Attenuator	_____	_____	_____
1 dB Step Attenuator	_____	_____	_____
Digital Voltmeter	_____	_____	_____
Function Generator	_____	_____	_____
Notes/Comments: _____			
_____			
_____			

**Table 11-2 Performance Test Record (2 of 22)**

Agilent Technologies	
Select model: 8560E ___ 8560EC ___	Report No. _____
Serial No. _____	Date _____

Test Description	Results			Measurement Uncertainty
	Minimum	Measured	Maximum	
1. 10 MHz Reference Output Accuracy (Non-Option 103)				
5-minute Warm-up Error (0 °C to +55 °C)	$-1 \times 10^{-7}$	_____	$+1 \times 10^{-7}$	$\pm 2.004 \times 10^{-9}$
5-minute Warm-up Error (-10 °C to 0 °C)	$-1 \times 10^{-6}$	_____	$+1 \times 10^{-6}$	$\pm 2.004 \times 10^{-9}$
15-minute Warm-up Error	$-1 \times 10^{-8}$	_____	$+1 \times 10^{-8}$	$\pm 2.003 \times 10^{-9}$
2. 10 MHz Reference Output Accuracy (Option 103)				
Calibrator Frequency	299.9988 MHz	_____	300.0012 MHz	$\pm 55.75$ Hz
3. Fast Sweep Time Accuracy (EC-Series or E-Series, Option 007)	299.700 MHz	_____	300.300 MHz	$\pm 55.75$ Hz
4. Calibrator Amplitude Accuracy				
Calibrator Amplitude	-10.30 dBm	_____	+9.70 dB	$\pm 0.12$ dB
5. Displayed Average Noise Level Non-Option 103:				
30 Hz		_____	-90 dBm	+1.24/-1.37 dB
100 Hz		_____	-90 dBm	+1.24/-1.37 dB
1 kHz		_____	-105 dBm	+1.24/-1.37 dB
10 kHz		_____	-120 dBm	+1.24/-1.37 dB
100 kHz		_____	-120 dBm	+1.24/-1.37 dB
1 MHz to 10 MHz		_____	-140 dBm	+1.24/-1.37 dB
10 MHz to 2.9 GHz		_____	-145 dBm	+1.24/-1.37 dB
Serial Prefix <3632A		_____	-145 dBm	+1.24/-1.37 dB
Serial Prefix ≥3632A		_____	-151 dBm	+1.24/-1.37 dB
Option H13		_____	-151 dBm	+1.24/-1.37 dB

**Table 11-3 Performance Test Record (3 of 22)**

Agilent Technologies	
Select model: 8560E ____ 8560EC ____	Report No. _____
Serial No. _____	Date _____

Test Description	Results			Measurement Uncertainty
	Minimum	Measured	Maximum	
5. DANL (continued)				
Option 103:				
30 Hz		_____	-80 dBm	+1.24/-1.37 dB
100 Hz		_____	-80 dBm	+1.24/-1.37 dB
1 kHz		_____	-95 dBm	+1.24/-1.37 dB
10 kHz		_____	-110 dBm	+1.24/-1.37 dB
100 kHz		_____	-110 dBm	+1.24/-1.37 dB
1 MHz to 10 MHz		_____	-130 dBm	+1.24/-1.37 dB
10 MHz to 2.9 GHz		_____		
Serial Prefix <3632A		_____	-135 dBm	+1.24/-1.37 dB
Serial prefix ≥3632A		_____	-141 dBm	+1.24/-1.37 dB
Option H13		_____	-141 dBm	+1.24/-1.37 dB
11. Resolution Bandwidth Switching and IF Alignment Uncertainty				
2 MHz RES BW	-0.5 dB	_____	+0.5 dB	±0.10 dB
1 MHz RES BW	-0.5 dB	_____	+0.5 dB	±0.10 dB
100 kHz RES BW	-0.5 dB	_____	+0.5 dB	±0.10 dB
30 kHz RES BW	-0.5 dB	_____	+0.5 dB	±0.10 dB
10 kHz RES BW	-0.5 dB	_____	+0.5 dB	±0.10 dB
3 kHz RES BW	-0.5 dB	_____	+0.5 dB	±0.10 dB
1 kHz RES BW	-0.5 dB	_____	+0.5 dB	±0.10 dB
300 Hz RES BW	-1.0 dB	_____	+1.0 dB	±0.10 dB
100 Hz RES BW	-0.5 dB	_____	+0.5 dB	±0.10 dB
30 Hz RES BW	-0.5 dB	_____	+0.5 dB	±0.10 dB
10 Hz RES BW	-0.5 dB	_____	+0.5 dB	±0.10 dB
3 Hz RES BW*	-0.5 dB	_____	+0.5 dB	±0.10 dB
1 Hz RES BW*	-0.5 dB	_____	+0.5 dB	±0.10 dB
* 3 Hz and 1 Hz RES BW not available with Option 103.				



**Table 11-4 Performance Test Record (4 of 22)**

Agilent Technologies	
Select model: 8560E ___ 8560EC ___	Report No. _____
Serial No. _____	Date _____

Test Description	Results			Measurement Uncertainty
	Minimum	Measured	Maximum	
12. Resolution Bandwidth Accuracy and Selectivity				
3 dB Bandwidth Accuracy				
2 MHz RES BW	-25%	_____	+50%	±1.33%
1 MHz RES BW	-25%	_____	+25%	±1.33%
300 kHz RES BW	-10%	_____	+10%	±1.33%
100 kHz RES BW	-10%	_____	+10%	±1.33%
30 kHz RES BW	-10%	_____	+10%	±1.33%
10 kHz RES BW	-10%	_____	+10%	±1.33%
3 kHz RES BW	-10%	_____	+10%	±1.33%
1 kHz RES BW	-10%	_____	+10%	±1.33%
300 Hz RES BW	-10%	_____	+10%	±1.33%
Selectivity				
2 MHz RES BW		_____	15:1	±2.80%
1 MHz RES BW		_____	15:1	±2.80%
300 kHz RES BW		_____	15:1	±2.80%
100 kHz RES BW		_____	15:1	±2.80%
30 kHz RES BW		_____	15:1	±2.80%
10 kHz RES BW		_____	15:1	±2.80%
3 kHz RES BW		_____	15:1	±2.80%
1 kHz RES BW		_____	15:1	±2.80%
300 Hz RES BW		_____	15:1	±2.80%
13. Input Attenuator Switching Uncertainty				
Cumulative, 50 MHz				
20 dB ATTEN	-0.6 dB	_____	+0.6 dB	±0.12 dB
30 dB ATTEN	-1.2 dB	_____	+1.2 dB	±0.12 dB
40 dB ATTEN	-1.8 dB	_____	+1.8 dB	±0.12 dB
50 dB ATTEN	-1.8 dB	_____	+1.8 dB	±0.14 dB

**Table 11-5 Performance Test Record (5 of 22)**

Agilent Technologies	
Select model: 8560E ____ 8560EC ____	Report No. _____
Serial No. _____	Date _____

Test Description	Results			Measurement Uncertainty
	Minimum	Measured	Maximum	
13. Input Attenuator Switching Uncertainty (continued)				
Cumulative, 50 MHz (cont'd)				
60 dB ATTEN	-1.8 dB	_____	+1.8 dB	±0.14 dB
70 dB ATTEN	-1.8 dB	_____	+1.8 dB	±0.14 dB
Incremental, 50 MHz				
20 dB ATTEN	-0.6 dB	_____	+0.6 dB	±0.12 dB
30 dB ATTEN	-0.6 dB	_____	+0.6 dB	±0.12 dB
40 dB ATTEN	-0.6 dB	_____	+0.6 dB	±0.12 dB
50 dB ATTEN	-0.6 dB	_____	+0.6 dB	±0.14 dB
60 dB ATTEN	-0.6 dB	_____	+0.6 dB	±0.14 dB
70 dB ATTEN	-0.6 dB	_____	+0.6 dB	±0.14 dB
Cumulative, 2.9 GHz				
20 dB ATTEN	-0.6 dB	_____	+0.6 dB	±0.23 dB
30 dB ATTEN	-1.2 dB	_____	+1.2 dB	±0.23 dB
40 dB ATTEN	-1.8 dB	_____	+1.8 dB	±0.23 dB
50 dB ATTEN	-1.8 dB	_____	+1.8 dB	±0.23 dB
60 dB ATTEN	-1.8 dB	_____	+1.8 dB	+0.24/-0.25 dB
70 dB ATTEN	-1.8 dB	_____	+1.8 dB	+0.24/-0.25 dB
Incremental, 2.9 GHz				
20 dB ATTEN	-0.6 dB	_____	+0.6 dB	±0.23 dB
30 dB ATTEN	-0.6 dB	_____	+0.6 dB	±0.23 dB
40 dB ATTEN	-0.6 dB	_____	+0.6 dB	±0.23 dB
50 dB ATTEN	-0.6 dB	_____	+0.6 dB	±0.23 dB
60 dB ATTEN	-0.6 dB	_____	+0.6 dB	+0.24/-0.25 dB
70 dB ATTEN	-0.6 dB	_____	+0.6 dB	+0.24/-0.25 dB

**Table 11-6 Performance Test Record (6 of 22)**

Agilent Technologies	
Select model: 8560E ___ 8560EC ___	Report No. _____
Serial No. _____	Date _____

Test Description	Results			Measurement Uncertainty
	Minimum	Measured	Maximum	
15. IF Gain Uncertainty				
LOG, 10 dB steps				
-10 dBm REF LVL	-1.0 dB	_____	+1.0 dB	±0.11 dB
-20 dBm REF LVL	-1.0 dB	_____	+1.0 dB	±0.11 dB
-30 dBm REF LVL	-1.0 dB	_____	+1.0 dB	±0.11 dB
-40 dBm REF LVL	-1.0 dB	_____	+1.0 dB	±0.11 dB
-50 dBm REF LVL	-1.0 dB	_____	+1.0 dB	±0.11 dB
-60 dBm REF LVL	-1.0 dB	_____	+1.0 dB	±0.12 dB
-70 dBm REF LVL	-1.0 dB	_____	+1.0 dB	±0.12 dB
-80 dBm REF LVL	-1.0 dB	_____	+1.0 dB	±0.12 dB
LOG, 1 dB steps				
-1 dBm REF LVL	-1.0 dB	_____	+1.0 dB	±0.11 dB
-2 dBm REF LVL	-1.0 dB	_____	+1.0 dB	±0.11 dB
-3 dBm REF LVL	-1.0 dB	_____	+1.0 dB	±0.11 dB
-4 dBm REF LVL	-1.0 dB	_____	+1.0 dB	±0.11 dB
-5 dBm REF LVL	-1.0 dB	_____	+1.0 dB	±0.11 dB
-6 dBm REF LVL	-1.0 dB	_____	+1.0 dB	±0.11 dB
-7 dBm REF LVL	-1.0 dB	_____	+1.0 dB	±0.11 dB
-8 dBm REF LVL	-1.0 dB	_____	+1.0 dB	±0.11 dB
-9 dBm REF LVL	-1.0 dB	_____	+1.0 dB	±0.11 dB
-10 dBm REF LVL	-1.0 dB	_____	+1.0 dB	±0.11 dB
-11 dBm REF LVL	-1.0 dB	_____	+1.0 dB	±0.11 dB
-12 dBm REF LVL	-1.0 dB	_____	+1.0 dB	±0.11 dB
LINEAR, 10 dB steps				
-10 dBm REF LVL	-1.0 dB	_____	+1.0 dB	±0.11 dB
-20 dBm REF LVL	-1.0 dB	_____	+1.0 dB	±0.11 dB
-30 dBm REF LVL	-1.0 dB	_____	+1.0 dB	±0.11 dB
-40 dBm REF LVL	-1.0 dB	_____	+1.0 dB	±0.11 dB

8560E/EC Performance Test Record  
**Test Record**

**Table 11-7 Performance Test Record (7 of 22)**

Agilent Technologies	
Select model: 8560E ____ 8560EC ____	Report No. _____
Serial No. _____	Date _____

Test Description	Results			Measurement Uncertainty
	Minimum	Measured	Maximum	
15. IF Gain Uncertainty (continued) LINEAR, 10 dB steps (cont'd)				
-50 dBm REF LVL	-1.0 dB	_____	+1.0 dB	±0.11 dB
-60 dBm REF LVL	-1.0 dB	_____	+1.0 dB	±0.12 dB
-70 dBm REF LVL	-1.0 dB	_____	+1.0 dB	±0.12 dB
-80 dBm REF LVL	-1.0 dB	_____	+1.0 dB	±0.12 dB
16. Scale Fidelity Cumulative, 10 dB/Div, RES BW ≥300 Hz				
-6 dB from REF LVL	-0.60 dB	_____	+0.60 dB	±0.24 dB
-12 dB from REF LVL	-0.85 dB	_____	+0.85 dB	±0.24 dB
-18 dB from REF LVL	-0.85 dB	_____	+0.85 dB	±0.24 dB
-24 dB from REF LVL	-0.85 dB	_____	+0.85 dB	±0.24 dB
-30 dB from REF LVL	-0.85 dB	_____	+0.85 dB	±0.24 dB
-36 dB from REF LVL	-0.85 dB	_____	+0.85 dB	±0.24 dB
-42 dB from REF LVL	-0.85 dB	_____	+0.85 dB	±0.24 dB
-48 dB from REF LVL	-0.85 dB	_____	+0.85 dB	±0.24 dB
-54 dB from REF LVL	-0.85 dB	_____	+0.85 dB	±0.24 dB
-60 dB from REF LVL	-0.85 dB	_____	+0.85 dB	+0.25/-0.26 dB
-66 dB from REF LVL	-0.85 dB	_____	+0.85 dB	+0.25/-0.26 dB
-72 dB from REF LVL	-0.85 dB	_____	+0.85 dB	+0.25/-0.26 dB
-78 dB from REF LVL	-0.85 dB	_____	+0.85 dB	+0.25/-0.26 dB
-84 dB from REF LVL	-0.85 dB	_____	+0.85 dB	+0.25/-0.26 dB
-90 dB from REF LVL	-0.85 dB	_____	+0.85 dB	+0.25/-0.26 dB

**Table 11-8 Performance Test Record (8 of 22)**

Agilent Technologies	
Select model: 8560E ___ 8560EC ___	Report No. _____
Serial No. _____	Date _____

Test Description	Results			Measurement Uncertainty
	Minimum	Measured	Maximum	
16. Scale Fidelity (continued)				
Incremental, 10 dB/Div,				
RES BW $\geq$ 300 Hz				
-12 dB from REF LVL	-0.10 dB	_____	+0.10 dB	$\pm$ 0.04 dB
-18 dB from REF LVL	-0.10 dB	_____	+0.10 dB	$\pm$ 0.04 dB
-24 dB from REF LVL	-0.10 dB	_____	+0.10 dB	$\pm$ 0.04 dB
-30 dB from REF LVL	-0.10 dB	_____	+0.10 dB	$\pm$ 0.04 dB
-36 dB from REF LVL	-0.10 dB	_____	+0.10 dB	$\pm$ 0.04 dB
-42 dB from REF LVL	-0.10 dB	_____	+0.10 dB	$\pm$ 0.04 dB
-48 dB from REF LVL	-0.10 dB	_____	+0.10 dB	$\pm$ 0.04 dB
-54 dB from REF LVL	-0.10 dB	_____	+0.10 dB	$\pm$ 0.04 dB
-60 dB from REF LVL	-0.10 dB	_____	+0.10 dB	$\pm$ 0.04 dB
-66 dB from REF LVL	-0.10 dB	_____	+0.10 dB	$\pm$ 0.04 dB
-72 dB from REF LVL	-0.10 dB	_____	+0.10 dB	$\pm$ 0.05 dB
-78 dB from REF LVL	-0.10 dB	_____	+0.10 dB	$\pm$ 0.05 dB
-84 dB from REF LVL	-0.10 dB	_____	+0.10 dB	$\pm$ 0.05 dB
-90 dB from REF LVL	-0.10 dB	_____	+0.10 dB	$\pm$ 0.05 dB
Cumulative, 10 dB/Div,				
RES BW $\leq$ 100 Hz				
-6 dB from REF LVL	-0.60 dB	_____	+0.60 dB	$\pm$ 0.24 dB
-12 dB from REF LVL	-0.85 dB	_____	+0.85 dB	$\pm$ 0.24 dB
-18 dB from REF LVL	-0.85 dB	_____	+0.85 dB	$\pm$ 0.24 dB
-24 dB from REF LVL	-0.85 dB	_____	+0.85 dB	$\pm$ 0.24 dB
-30 dB from REF LVL	-0.85 dB	_____	+0.85 dB	$\pm$ 0.24 dB
-36 dB from REF LVL	-0.85 dB	_____	+0.85 dB	$\pm$ 0.24 dB
-42 dB from REF LVL	-0.85 dB	_____	+0.85 dB	$\pm$ 0.24 dB
-48 dB from REF LVL	-0.85 dB	_____	+0.85 dB	$\pm$ 0.24 dB
-54 dB from REF LVL	-0.85 dB	_____	+0.85 dB	$\pm$ 0.24 dB

**Table 11-9 Performance Test Record (9 of 22)**

Agilent Technologies	
Select model: 8560E ____ 8560EC ____	Report No. _____
Serial No. _____	Date _____

Test Description	Results			Measurement Uncertainty
	Minimum	Measured	Maximum	
16. Scale Fidelity (continued)				
Cumulative, 10 dB/Div, RES BW ≤100 Hz (cont')				
-60 dB from REF LVL	-0.85 dB	_____	+0.85 dB	+0.25/-0.26 dB
-66 dB from REF LVL	-0.85 dB	_____	+0.85 dB	+0.25/-0.26 dB
-72 dB from REF LVL	-0.85 dB	_____	+0.85 dB	+0.25/-0.26 dB
-78 dB from REF LVL	-0.85 dB	_____	+0.85 dB	+0.25/-0.26 dB
-84 dB from REF LVL	-0.85 dB	_____	+0.85 dB	+0.25/-0.26 dB
-90 dB from REF LVL	-0.85 dB	_____	+0.85 dB	+0.25/-0.26 dB
-94 dB from REF LVL	-1.50 dB	_____	+1.50 dB	+0.25/-0.26 dB
-98 dB from REF LVL	-1.50 dB	_____	+1.50 dB	+0.25/-0.26 dB
Incremental, 10 dB/Div, RES BW ≤100 Hz				
-12 dB from REF LVL	-0.20 dB	_____	+0.20 dB	±0.04 dB
-18 dB from REF LVL	-0.20 dB	_____	+0.20 dB	±0.04 dB
-24 dB from REF LVL	-0.20 dB	_____	+0.20 dB	±0.04 dB
-30 dB from REF LVL	-0.20 dB	_____	+0.20 dB	±0.04 dB
-36 dB from REF LVL	-0.20 dB	_____	+0.20 dB	±0.04 dB
-42 dB from REF LVL	-0.20 dB	_____	+0.20 dB	±0.04 dB
-48 dB from REF LVL	-0.20 dB	_____	+0.20 dB	±0.04 dB
-54 dB from REF LVL	-0.20 dB	_____	+0.20 dB	±0.04 dB
-60 dB from REF LVL	-0.20 dB	_____	+0.20 dB	±0.04 dB
-66 dB from REF LVL	-0.20 dB	_____	+0.20 dB	±0.04 dB
-72 dB from REF LVL	-0.20 dB	_____	+0.20 dB	±0.05 dB
-78 dB from REF LVL	-0.20 dB	_____	+0.20 dB	±0.05 dB
-84 dB from REF LVL	-0.20 dB	_____	+0.20 dB	±0.05 dB
-90 dB from REF LVL	-0.20 dB	_____	+0.20 dB	±0.05 dB

**Table 11-10 Performance Test Record (10 of 22)**

Agilent Technologies	
Select model: 8560E ___ 8560EC ___	Report No. _____
Serial No. _____	Date _____

Test Description	Results			Measurement Uncertainty
	Minimum	Measured	Maximum	
16. Scale Fidelity (continued)				
Cumulative, 2 dB/Div				
-2 dB from REF LVL	-0.20 dB	_____	+0.20 dB	±0.053 dB
-4 dB from REF LVL	-0.40 dB	_____	+0.40 dB	±0.053 dB
-6 dB from REF LVL	-0.60 dB	_____	+0.60 dB	±0.053 dB
-8 dB from REF LVL	-0.80 dB	_____	+0.80 dB	±0.053 dB
-10 dB from REF LVL	-0.85 dB	_____	+0.85 dB	±0.053 dB
-12 dB from REF LVL	-0.85 dB	_____	+0.85 dB	±0.053 dB
-14 dB from REF LVL	-0.85 dB	_____	+0.85 dB	±0.053 dB
-16 dB from REF LVL	-0.85 dB	_____	+0.85 dB	±0.053 dB
-18 dB from REF LVL	-0.85 dB	_____	+0.85 dB	±0.053 dB
Incremental, 2 dB/Div				
-2 dB from REF LVL	-0.10 dB	_____	+0.10 dB	±0.04 dB
-4 dB from REF LVL	-0.10 dB	_____	+0.10 dB	±0.04 dB
-6 dB from REF LVL	-0.10 dB	_____	+0.10 dB	±0.04 dB
-8 dB from REF LVL	-0.10 dB	_____	+0.10 dB	±0.04 dB
-10 dB from REF LVL	-0.10 dB	_____	+0.10 dB	±0.04 dB
-12 dB from REF LVL	-0.10 dB	_____	+0.10 dB	±0.04 dB
-14 dB from REF LVL	-0.10 dB	_____	+0.10 dB	±0.04 dB
-16 dB from REF LVL	-0.10 dB	_____	+0.10 dB	±0.04 dB
-18 dB from REF LVL	-0.10 dB	_____	+0.10 dB	±0.04 dB
Linear				
-2 dB from REF LVL	-2.33 dB	_____	-1.68 dB	±0.04 dB
-4 dB from REF LVL	-4.42 dB	_____	-3.60 dB	±0.04 dB
-6 dB from REF LVL	-6.54 dB	_____	-5.50 dB	±0.04 dB
-8 dB from REF LVL	-8.68 dB	_____	-7.37 dB	±0.04 dB
-10 dB from REF LVL	-10.87 dB	_____	-9.21 dB	±0.04 dB
-12 dB from REF LVL	-13.10 dB	_____	-11.02 dB	±0.04 dB

8560E/EC Performance Test Record  
**Test Record**

**Table 11-11 Performance Test Record (11 of 22)**

Agilent Technologies	
Select model: 8560E ____ 8560EC ____	Report No. _____
Serial No. _____	Date _____

Test Description	Results			Measurement Uncertainty
	Minimum	Measured	Maximum	
16. Scale Fidelity (continued) Cumulative, 2 dB/Div (cont')				
-14 dB from REF LVL	-15.42 dB	_____	-12.78 dB	±0.033 dB
-16 dB from REF LVL	-17.82 dB	_____	-14.49 dB	±0.033 dB
-18 dB from REF LVL	-20.36 dB	_____	-16.14 dB	±0.033 dB
17. Residual FM				
Non-Option 103		_____	1 Hz	±0.2 Hz
Option 103		_____	10 Hz	±0.8 Hz
19. Noise Sidebands				
Non-Option 103				
+100 Hz offset (serial prefix <3424A)		_____	-80 dBc/Hz	+1.22/-1.34 dB
+100 Hz offset (serial prefix ≥3424A)		_____	-88 dBc/Hz	+1.22/-1.34 dB
-100 Hz offset (serial prefix <3424A)		_____	-80 dBc/Hz	+1.22/-1.34 dB
-100 Hz offset (serial prefix ≥3424A)		_____	-88 dBc/Hz	+1.22/-1.34 dB
+1 kHz offset		_____	-97 dBc/Hz	+1.22/-1.34 dB
-1 kHz offset		_____	-97 dBc/Hz	+1.22/-1.34 dB
+10 kHz offset		_____	-113 dBc/Hz	+1.22/-1.34 dB
-10 kHz offset		_____	-113 dBc/Hz	+1.22/-1.34 dB
+30 kHz offset		_____	-113 dBc/Hz	+1.22/-1.34 dB
-30 kHz offset		_____	-113 dBc/Hz	+1.22/-1.34 dB
+100 kHz offset (serial prefix <3424A)		_____	-113 dBc/Hz	+1.22/-1.34 dB
+100 kHz offset (serial prefix ≥3424A)		_____	-117 dBc/Hz	+1.22/-1.34 dB
-100 kHz offset (serial prefix <3424A)		_____	-113 dBc/Hz	+1.22/-1.34 dB



**Table 11-12 Performance Test Record (12 of 22)**

Agilent Technologies	
Select model: 8560E ___ 8560EC ___	Report No. _____
Serial No. _____	Date _____

Test Description	Results			Measurement Uncertainty
	Minimum	Measured	Maximum	
19. Noise Sidebands (continued)				
Non-Option 103 (cont'd)				
-100 kHz offset (serial prefix ≥3424A)		_____	-117 dBc/Hz	+1.22/-1.34 dB
Option 103				
+100 Hz offset		_____	-70 dBc/Hz	+1.22/-1.34 dB
-100 Hz offset		_____	-70 dBc/Hz	+1.22/-1.34 dB
+1 kHz offset		_____	-90 dBc/Hz	+1.22/-1.34 dB
-1 kHz offset		_____	-90 dBc/Hz	+1.22/-1.34 dB
+10 kHz offset		_____	-113 dBc/Hz	+1.22/-1.34 dB
-10 kHz offset		_____	-113 dBc/Hz	+1.22/-1.34 dB
+30 kHz offset		_____	-113 dBc/Hz	+1.22/-1.34 dB
-30 kHz offset		_____	-113 dBc/Hz	+1.22/-1.34 dB
+100 kHz offset (serial prefix <3424A)		_____	-113 dBc/Hz	+1.22/-1.34 dB
+100 kHz offset (serial prefix ≥3424A)		_____	-117 dBc/Hz	+1.22/-1.34 dB
-100 kHz offset (serial prefix <3424A)		_____	-113 dBc/Hz	+1.22/-1.34 dB
-100 kHz offset (serial prefix ≥3424A)		_____	-117 dBc/Hz	+1.22/-1.34 dB
20. Image, Multiple, and Out-of-Range Responses				
2 GHz CENTER FREQ				
2021.4 MHz		_____	-80 dBc	+0.8/-1.0 dB
2621.4 MHz		_____	-80 dBc	+0.8/-1.0 dB
2321.4 MHz		_____	-80 dBc	+0.8/-1.0 dB
2600.0 MHz		_____	-80 dBc	+0.8/-1.0 dB
7910.7 MHz		_____	-80 dBc	+0.8/-1.0 dB

8560E/EC Performance Test Record  
**Test Record**

**Table 11-13 Performance Test Record (13 of 22)**

Agilent Technologies	
Select model: 8560E ____ 8560EC ____	Report No. _____
Serial No. _____	Date _____

Test Description	Results			Measurement Uncertainty
	Minimum	Measured	Maximum	
20. Image, Multiple, and Out-of-Range Responses (continued) 2 GHz CENTER FREQ (cont'd) 9821.4 MHz		_____	-80 dBc	+0.8/-1.0 dB
4 GHz CENTER FREQ 4021.4 MHz		_____	-80 dBc	+0.8/-1.0 dB
4621.4 MHz		_____	-80 dBc	+0.8/-1.0 dB
4321.4 MHz		_____	-80 dBc	+0.8/-1.0 dB
4600.0 MHz		_____	-80 dBc	+0.8/-1.0 dB
289.3 MHz		_____	-80 dBc	+0.8/-1.0 dB
8310.7 MHz		_____	-80 dBc	+0.8/-1.0 dB
8932.1 MHz		_____	-80 dBc	+0.8/-1.0 dB
26. Frequency Readout Accuracy and Frequency Count Marker Accuracy Frequency Readout Accuracy: 1.5 GHz CENTER FREQ 1 MHz SPAN	1.499988 GHz	_____	1.500012 GHz	±1 Hz
10 MHz SPAN	1.49948 GHz	_____	1.50052 GHz	±1 Hz
20 MHz SPAN	1.49895 GHz	_____	1.50105 GHz	±1 Hz
50 MHz SPAN	1.49745 GHz	_____	1.50255 GHz	±1 Hz
100 MHz SPAN	1.4948 GHz	_____	1.5052 GHz	±1 Hz
1 GHz SPAN	1.450 GHz	_____	1.550 GHz	±1 Hz
Frequency Count Marker Accuracy: 1.5 GHz CENTER FREQ	1.499999997 GHz	_____	1.500000003 GHz	±1 Hz

**Table 11-14 Performance Test Record (14 of 22)**

Agilent Technologies	
Select model: 8560E ___ 8560EC ___	Report No. _____
Serial No. _____	Date _____

Test Description	Results			Measurement Uncertainty
	Minimum	Measured	Maximum	
32. Pulse Digitization Uncertainty LOG 5dB/Div				
1 MHz RES BW		_____	1.25 dB	±0.15 dB
2 MHz RES BW		_____	3.0 dB	+0.43/-0.44 dB
LINEAR				
1 MHz RES BW		_____	4%	±0.31%
2 MHz RES BW		_____	12%	±0.65%
33. Second Harmonic Distortion (SHD)				
Serial Prefix < 3632A		_____	-72 dBc	+1.87/-2.28 dB
Serial Prefix ≥ 3632A		_____	-79 dBc	+1.87/-2.28 dB
Option H13		_____	-79 dBc	+1.87/-2.28 dB
36. Frequency Response				
dc coupled				
Maximum Positive Response		_____	+1.5 dB	+0.32/-0.34 dB
Maximum Negative Response	-1.5 dB	_____		+0.32/-0.34 dB
Peak-to-Peak Response		_____	2.0 dB	+0.32/-0.34 dB
ac coupled				
Maximum Positive Response		_____	+1.7 dB	+0.44/-0.49 dB
Maximum Negative Response	-1.7 dB	_____		+0.44/-0.49 dB
Peak-to-Peak Response		_____	2.8 dB	+0.44/-0.49 dB
dc coupled, 100 MHz to 2.9 GHz (serial prefix ≥3628A)				
Peak-to-Peak Response		_____	1.4 dB	+0.32/-0.34 dB

8560E/EC Performance Test Record  
**Test Record**

**Table 11-15 Performance Test Record (15 of 22)**

Agilent Technologies	
Select model: 8560E ____ 8560EC ____	Report No. _____
Serial No. _____	Date _____

Test Description	Results			Measurement Uncertainty
	Minimum	Measured	Maximum	
42. Frequency Span Accuracy				
1 kHz SPAN	-1 %	_____	+1 %	±0.24 %
2 kHz SPAN	-1 %	_____	+1 %	±0.24 %
5 kHz SPAN	-1 %	_____	+1 %	±0.24 %
10 kHz SPAN	-1 %	_____	+1 %	±0.24 %
20 kHz SPAN	-1 %	_____	+1 %	±0.24 %
50 kHz SPAN	-1 %	_____	+1 %	±0.24 %
100 kHz SPAN	-1 %	_____	+1 %	±0.24 %
200 kHz SPAN	-1 %	_____	+1 %	±0.24 %
500 kHz SPAN	-1 %	_____	+1 %	±0.24 %
1 MHz SPAN	-1 %	_____	+1 %	±0.24 %
2 MHz SPAN	-1 %	_____	+1 %	±0.24 %
5 MHz SPAN	-5 %	_____	+5 %	±0.24 %
10 MHz SPAN	-5 %	_____	+5 %	±0.24 %
20 MHz SPAN	-5 %	_____	+5 %	±0.24 %
50 MHz SPAN	-5 %	_____	+5 %	±0.24 %
100 MHz SPAN	-5 %	_____	+5 %	±0.24 %
200 MHz SPAN	-5 %	_____	+5 %	±0.24 %
500 MHz SPAN	-5 %	_____	+5 %	±0.24 %
43. Third Order Intermodulation Distortion				
TOI Distortion				
Serial Prefix <3632A		_____	-78 dBc	+1.41/-1.43 dB
Serial Prefix ≥3632A		_____	-82 dBc	+1.41/-1.43 dB
Option H13		_____	-82 dBc	+1.41/-1.43 dB
47. Gain Compression				
Gain Compression		_____	1 dB	±0.19 dB

**Table 11-16 Performance Test Record (16 of 22)**

Agilent Technologies	
Select model: 8560E ___ 8560EC ___	Report No. _____
Serial No. _____	Date _____

Test Description	Results			Measurement Uncertainty
	Minimum	Measured	Maximum	
51. 1ST LO OUTPUT Amplitude				
Non-Option 002:				
Maximum 1ST LO OUTPUT AMPLITUDE		_____	+18.5 dBm	±0.18 dB
Minimum 1ST LO OUTPUT AMPLITUDE	+14.5 dBm	_____		±0.18 dB
Option 002:				
Maximum 1ST LO OUTPUT AMPLITUDE		_____	+17.5 dBm	±0.18 dB
Minimum 1ST LO OUTPUT AMPLITUDE	+11.5 dBm	_____		±0.18 dB
53. Sweep Time Accuracy				
50 μs SWEEP TIME <sup>†</sup>	42.5 μs	_____	57.5 μs	±750 ns
100 μs SWEEP TIME <sup>†</sup>	85.0 μs	_____	115 μs	±1.5 μs
200 μs SWEEP TIME <sup>†</sup>	170 μs	_____	230 μs	±3.0 μs
500 μs SWEEP TIME <sup>†</sup>	425 μs	_____	575 μs	±7.5 μs
1 ms SWEEP TIME <sup>†</sup>	850 μs	_____	1.15 ms	±15 μs
2 ms SWEEP TIME <sup>†</sup>	1.70 ms	_____	2.30 ms	±30 μs
5 ms SWEEP TIME <sup>†</sup>	4.25 ms	_____	5.75 ms	±75 μs
10 ms SWEEP TIME <sup>†</sup>	8.50 ms	_____	11.5 ms	±150 μs
20 ms SWEEP TIME <sup>†</sup>	17.0 ms	_____	23.0 ms	±300 μs
30 ms SWEEP TIME	29.7 ms	_____	30.3 ms	±209 ns
<sup>†</sup> These entries apply only to E-Series spectrum analyzers without Option 007.				

8560E/EC Performance Test Record  
**Test Record**

**Table 11-17 Performance Test Record (17 of 22)**

Agilent Technologies	
Select model: 8560E ____ 8560EC ____	Report No. _____
Serial No. _____	Date _____

Test Description	Results			Measurement Uncertainty
	Minimum	Measured	Maximum	
53. Sweep Time Accuracy (continued)				
50 ms SWEEP TIME	49.5 ms	_____	50.5 ms	±281 ns
100 ms SWEEP TIME	99.0 ms	_____	101.0 ms	±461 ns
200 ms SWEEP TIME	198.0 ms	_____	202.0 ms	±821 ns
500 ms SWEEP TIME	495.0 ms	_____	505.0 ms	±1.901 μs
1 s SWEEP TIME	990.0 ms	_____	1.010 s	±3.7 μs
2 s SWEEP TIME	1.980 s	_____	2.020 s	±7.3 μs
5 s SWEEP TIME	4.950 s	_____	5.050 s	±18.1 μs
10 s SWEEP TIME	9.900 s	_____	10.10 s	±36.1 μs
20 s SWEEP TIME	19.80 s	_____	20.20 s	±72.1 μs
50 s SWEEP TIME	49.50 s	_____	50.50 s	±180.1 μs
100 s SWEEP TIME	99.00 s	_____	101.0 s	±360.1 μs
54. Residual Responses 200 kHz to 2.9 GHz		_____	-90 dBm	+1.24/-1.37 dB
57. IF INPUT Amplitude Accuracy (Non-Option 002 and non-Option 327 only)				
IF INPUT Amplitude	-31.5 dBm	_____	-28.5 dBm	+0.40/-0.44 dB
58. Gate Delay Accuracy and Gate Length Accuracy Serial prefix <3310A 20 °C to 30 °C:				
MIN Gate Delay	1.9985 μs	_____	4.0015 μs	±21 ns
MAX Gate Delay	1.9985 μs	_____	4.0015 μs	±21 ns
1 μs Gate Length	799.5 ns	_____	1200.5 ns	±11 ns
65 ms Gate Length	64.967 ms	_____	65.033 ms	±752 ns

**Table 11-18 Performance Test Record (18 of 22)**

Agilent Technologies	
Select model: 8560E ___ 8560EC ___	Report No. _____
Serial No. _____	Date _____

Test Description	Results			Measurement Uncertainty
	Minimum	Measured	Maximum	
58. Gate Delay Accuracy and Gate Length Accuracy (continued)				
Serial prefix <3310A (cont'd)				
-10 °C to 55 °C:				
MIN Gate Delay	1.9964 μs	_____	4.0036 μs	±21 ns
MAX Gate Delay	1.9964 μs	_____	4.0036 μs	±21 ns
1 μs Gate Length	798.8 ns	_____	1201.2 ns	±11 ns
65 ms Gate Length	64.922 ms	_____	65.078 ms	±752 ns
Serial prefix ≥3310A				
MIN Gate Delay	2.0000 μs	_____	4.0000 μs	±21 ns
MAX Gate Delay	2.0000 μs	_____	4.0000 μs	±21 ns
1 μs Gate Length	0.0000 ns	_____	2.0000 μs	±11 ns
65 ms Gate Length	64.999 ms	_____	65.001 ms	±752 ns
59. Delayed Sweep Accuracy				
Serial Prefix <3310A				
20 °C to 30 °C:				
1000 μs	998.5 μs	_____	1001.5 μs	±114 ns
2000 μs	1998 μs	_____	2002 μs	±124 ns
5000 μs	4996.5 μs	_____	5003.5 μs	±154 ns
10000 μs	9994 μs	_____	10006 μs	±204 ns
20000 μs	19989 μs	_____	20011 μs	±304 ns
50000 μs	49974 μs	_____	50026 μs	±604 ns
65000 μs	64966.5 μs	_____	65033.5 μs	±754 ns
-10 °C to 55 °C:				
1000 μs	997.8 μs	_____	1002.2 μs	±114 ns
2000 μs	1996.6 μs	_____	2003.4 μs	±124 ns
5000 μs	4993 μs	_____	5007 μs	±154 ns

8560E/EC Performance Test Record  
**Test Record**

**Table 11-19 Performance Test Record (19 of 22)**

Agilent Technologies	
Select model: 8560E ____ 8560EC ____	Report No. _____
Serial No. _____	Date _____

Test Description	Results			Measurement Uncertainty
	Minimum	Measured	Maximum	
59. Delayed Sweep Accuracy (continued) Serial Prefix <3310A (cont'd) -10 °C to 55 °C: (cont'd)				
10000 μs	9987 μs	_____	10013 μs	±204 ns
20000 μs	19975 μs	_____	20025 μs	±304 ns
50000 μs	49939 μs	_____	50061 μs	±604 ns
65000 μs	64922 μs	_____	65078 μs	±754 ns
Serial Prefix ≥3310A				
1000 μs	999 μs	_____	1001 μs	±114 ns
2000 μs	1999 μs	_____	2001 μs	±124 ns
5000 μs	4999 μs	_____	5001 μs	±154 ns
10000 μs	9999 μs	_____	10001 μs	±204 ns
20000 μs	19999 μs	_____	20001 μs	±304 ns
50000 μs	49999 μs	_____	50001 μs	±604 ns
65000 μs	64999 μs	_____	65001 μs	±754 ns
60. Tracking Generator Level Flatness (Option 002)				
Maximum Flatness		_____	+2.0 dB	±0.414 dB
Minimum Flatness	-2.0 dB	_____		±0.414 dB
61. Tracking Generator Absolute Amplitude and Vernier Accuracy (Option 002)				
Absolute Amplitude Accuracy	-0.75 dB	_____	+0.75 dB	±0.154 dB
Positive Absolute Vernier Accuracy		_____	+0.5 dB	±0.033 dB



**Table 11-20 Performance Test Record (20 of 22)**

Agilent Technologies	
Select model: 8560E ___ 8560EC ___	Report No. _____
Serial No. _____	Date _____

Test Description	Results			Measurement Uncertainty
	Minimum	Measured	Maximum	
61. Tracking Generator Absolute Amplitude and Vernier Accuracy (Option 002) (continued)				
Negative Absolute Vernier Accuracy	-0.5 dB	_____		±0.033 dB
Positive Step-to-Step Vernier Accuracy		_____	+0.2 dB	±0.033 dB
Negative Step-to-Step Vernier Accuracy	-0.2 dB	_____		±0.033 dB
62. Tracking Generator Maximum Levelled Output Power (Option 002)				
Max Levelled Output Power	+1.0 dBm	_____		±0.0 dB
63. Tracking Generator Power Sweep Range (Option 002)				
Power Sweep Range	10 dB	_____		±0.049 dB
64. Tracking Generator RF-Power-Off Residuals (Option 002)				
Residual Response Amplitude				
if < 2.5 GHz		_____	-78 dBm	+1.33/-1.56 dB
if > 2.5 GHz		_____	-78 dBm	+2.02/-2.50 dB
Residual Response Frequency		_____	(MHz)	

8560E/EC Performance Test Record  
**Test Record**

**Table 11-21 Performance Test Record (21 of 22)**

Agilent Technologies	
Select model: 8560E ____ 8560EC ____	Report No. _____
Serial No. _____	Date _____

Test Description	Results			Measurement Uncertainty
	Minimum	Measured	Maximum	
65. Tracking Generator Harmonic Spurious Outputs (Option 002)				
2nd Harmonic Response Level		_____	-25 dBc	+1.55/-1.80 dB
3rd Harmonic Response Level		_____	-25 dBc	+1.55/-1.80 dB
66. Tracking Generator Non-Harmonic Spurious Outputs (Option 002)				
Non-Harmonic Response Amplitude (<=2000 MHz)		_____	-27 dBc	+1.55/-1.80 dB
Non-Harmonic Response Amplitude (>2000 MHz)		_____	-23 dBc	+3.48/-4.01 dB
67. Tracking Generator LO Feedthrough Amplitude (Option 002)				
LO Feedthrough at 3.911 GHz		_____	-16 dBm	+2.02/-2.50 dB
LO Feedthrough at 6.8107 GHz		_____	-16 dBm	+2.10/-2.67 dB
68. Tracking Generator Feedthrough (Option 002)				
300 kHz to 1 MHz		_____	-95 dBm	+1.24/-1.37 dB
1 MHz to 2 GHz		_____	-115 dBm	+1.24/-1.37 dB
2 GHz to 2.9 GHz		_____	-110 dBm	+1.24/-1.37 dB

**Table 11-22 Performance Test Record (22 of 22)**

Agilent Technologies Company	
Select model: 8560E ___ 8560EC ___	Report No. _____
Serial No. _____	Date _____

Test Description	Results			Measurement Uncertainty
	Minimum	Measured	Maximum	
69. Tracking Generator Frequency Tracking Range (Option 002) Negative Frequency Variation Positive Frequency Variation	+5 kHz	_____ _____	-5 kHz	$\pm 1$ Hz  $\pm 1$ Hz
70. Tracking Generator Frequency Accuracy (Option 002) Frequency Error	-295 Hz	_____	+295 Hz	$\pm 1$ Hz

8560E/EC Performance Test Record  
**Test Record**

---

**12** **8561E/EC Performance Test Record**

## Test Record

**Table 12-1 8561E/EC Performance Test Record**

Agilent Technologies		Report No. _____	
Address: _____		Date _____	
_____		(e.g. 10 SEP 1989)	
Select model: 8561E ___ 8561EC ___		Options _____	
Serial No. _____			
Firmware Revision _____			
Customer _____		Tested by _____	
Ambient temperature _____ °C		Relative humidity _____ %	
Power mains line frequency _____ Hz (nominal)			
<b>Test Equipment Used</b>			
<b>Description</b>	<b>Model No.</b>	<b>Trace No.</b>	<b>Cal Due Date</b>
Synthesized Sweeper #1	_____	_____	_____
Synthesized Sweeper #2	_____	_____	_____
Synthesized Signal Generator	_____	_____	_____
Synthesizer/Level Generator	_____	_____	_____
Frequency Standard	_____	_____	_____
Measuring Receiver	_____	_____	_____
RF Power Sensor	_____	_____	_____
Low-Power Power Sensor	_____	_____	_____
Microwave Power Sensor	_____	_____	_____
Pulse/Function Generator	_____	_____	_____
Microwave Frequency Counter	_____	_____	_____
Universal Frequency Counter	_____	_____	_____
Oscilloscope	_____	_____	_____
Amplifier	_____	_____	_____
Power Splitter	_____	_____	_____
4.4 GHz Low-Pass Filter	_____	_____	_____
50 MHz Low-Pass Filter	_____	_____	_____
50 Ω Termination	_____	_____	_____
20 dB Fixed Attenuator	_____	_____	_____
10 dB Fixed Attenuator	_____	_____	_____
10 dB Step Attenuator	_____	_____	_____
1 dB Step Attenuator	_____	_____	_____
Digital Voltmeter	_____	_____	_____
Function Generator	_____	_____	_____
Notes/Comments: _____			
_____			
_____			

**Table 12-2 Performance Test Record (2 of 20)**

Agilent Technologies	
Select model: 8561E ___ 8561EC ___	Report No. _____
Serial No. _____	Date _____

Test Description	Results			Measurement Uncertainty
	Minimum	Measured	Maximum	
1. 10 MHz Reference Output Accuracy (Non-Option 103)				
5-minute Warm-up Error (0 °C to +55 °C)	$-1 \times 10^{-7}$	_____	$+1 \times 10^{-7}$	$\pm 2.004 \times 10^{-9}$
5-minute Warm-up Error (-10 °C to 0 °C)	$-1 \times 10^{-6}$	_____	$+1 \times 10^{-6}$	$\pm 2.004 \times 10^{-9}$
15-minute Warm-up Error	$-1 \times 10^{-8}$	_____	$+1 \times 10^{-8}$	$\pm 2.003 \times 10^{-9}$
2. 10 MHz Reference Output Accuracy (Option 103)				
Calibrator Frequency	299.9988 MHz	_____	300.0012 MHz	$\pm 55.75$ Hz
3. Fast Sweep Time Accuracy (EC-Series or E-Series with Option 007)	299.700 MHz	_____	300.300 MHz	$\pm 55.75$ Hz
4. Calibrator Amplitude Accuracy				
Calibrator Amplitude	-10.30 dBm	_____	+9.70 dB	$\pm 0.12$ dB
6. Displayed Average Noise Level				
Non-Option 103:				
30 Hz		_____	-90 dBm	+1.24/-1.37 dB
100 Hz		_____	-90 dBm	+1.24/-1.37 dB
1 kHz		_____	-105 dBm	+1.24/-1.37 dB
10 kHz		_____	-120 dBm	+1.24/-1.37 dB
100 kHz		_____	-120 dBm	+1.24/-1.37 dB
1 MHz to 10 MHz		_____	-140 dBm	+1.24/-1.37 dB
10 MHz to 2.9 GHz		_____	-145 dBm	+1.24/-1.37 dB

8561E/EC Performance Test Record  
**Test Record**

**Table 12-3 Performance Test Record (3 of 20)**

Agilent Technologies	
Select model: 8561E ____ 8561EC ____	Report No. _____
Serial No. _____	Date _____

Test Description	Results			Measurement Uncertainty
	Minimum	Measured	Maximum	
6. DANL (continued)				
Option 103:				
30 Hz		_____	-80 dBm	+1.24/-1.37 dB
100 Hz		_____	-80 dBm	+1.24/-1.37 dB
1 kHz		_____	-95 dBm	+1.24/-1.37 dB
10 kHz		_____	-110 dBm	+1.24/-1.37 dB
100 kHz		_____	-110 dBm	+1.24/-1.37 dB
1 MHz to 10 MHz		_____	-130 dBm	+1.24/-1.37 dB
10 MHz to 2.9 GHz		_____	-135 dBm	+1.24/-1.37 dB
11. Resolution Bandwidth Switching and IF Alignment Uncertainty				
2 MHz RES BW	-0.5 dB	_____	+0.5 dB	±0.10 dB
1 MHz RES BW	-0.5 dB	_____	+0.5 dB	±0.10 dB
100 kHz RES BW	-0.5 dB	_____	+0.5 dB	±0.10 dB
30 kHz RES BW	-0.5 dB	_____	+0.5 dB	±0.10 dB
10 kHz RES BW	-0.5 dB	_____	+0.5 dB	±0.10 dB
3 kHz RES BW	-0.5 dB	_____	+0.5 dB	±0.10 dB
1 kHz RES BW	-0.5 dB	_____	+0.5 dB	±0.10 dB
300 Hz RES BW	-1.0 dB	_____	+1.0 dB	±0.10 dB
100 Hz RES BW	-0.5 dB	_____	+0.5 dB	±0.10 dB
30 Hz RES BW	-0.5 dB	_____	+0.5 dB	±0.10 dB
10 Hz RES BW	-0.5 dB	_____	+0.5 dB	±0.10 dB
3 Hz RES BW*	-0.5 dB	_____	+0.5 dB	±0.10 dB
1 Hz RES BW*	-0.5 dB	_____	+0.5 dB	±0.10 dB
* 3 Hz and 1 Hz RES BW not available with Option 103.				



**Table 12-4 Performance Test Record (4 of 20)**

Agilent Technologies	
Select model: 8561E ___ 8561EC ___	Report No. _____
Serial No. _____	Date _____

Test Description	Results			Measurement Uncertainty
	Minimum	Measured	Maximum	
12. Resolution Bandwidth Accuracy and Selectivity				
3 dB Bandwidth Accuracy				
2 MHz RES BW	-25%	_____	+50%	±1.33%
1 MHz RES BW	-25%	_____	+25%	±1.33%
300 kHz RES BW	-10%	_____	+10%	±1.33%
100 kHz RES BW	-10%	_____	+10%	±1.33%
30 kHz RES BW	-10%	_____	+10%	±1.33%
10 kHz RES BW	-10%	_____	+10%	±1.33%
3 kHz RES BW	-10%	_____	+10%	±1.33%
1 kHz RES BW	-10%	_____	+10%	±1.33%
300 Hz RES BW	-10%	_____	+10%	±1.33%
Selectivity				
2 MHz RES BW		_____	15:1	±2.80%
1 MHz RES BW		_____	15:1	±2.80%
300 kHz RES BW		_____	15:1	±2.80%
100 kHz RES BW		_____	15:1	±2.80%
30 kHz RES BW		_____	15:1	±2.80%
10 kHz RES BW		_____	15:1	±2.80%
3 kHz RES BW		_____	15:1	±2.80%
1 kHz RES BW		_____	15:1	±2.80%
300 Hz RES BW		_____	15:1	±2.80%
13. Input Attenuator Switching Uncertainty				
Cumulative, 50 MHz				
20 dB ATTEN	-0.6 dB	_____	+0.6 dB	±0.12 dB
30 dB ATTEN	-1.2 dB	_____	+1.2 dB	±0.12 dB
40 dB ATTEN	-1.8 dB	_____	+1.8 dB	±0.12 dB
50 dB ATTEN	-1.8 dB	_____	+1.8 dB	±0.14 dB

**Table 12-5 Performance Test Record (5 of 20)**

Agilent Technologies	
Select model: 8561E ___ 8561EC ___	Report No. _____
Serial No. _____	Date _____

Test Description	Results			Measurement Uncertainty
	Minimum	Measured	Maximum	
13. Input Attenuator Switching Uncertainty (continued)				
Cumulative, 50 MHz (cont'd)				
60 dB ATTEN	-1.8 dB	_____	+1.8 dB	±0.14 dB
70 dB ATTEN	-1.8 dB	_____	+1.8 dB	±0.14 dB
Incremental, 50 MHz				
20 dB ATTEN	-0.6 dB	_____	+0.6 dB	±0.12 dB
30 dB ATTEN	-0.6 dB	_____	+0.6 dB	±0.12 dB
40 dB ATTEN	-0.6 dB	_____	+0.6 dB	±0.12 dB
50 dB ATTEN	-0.6 dB	_____	+0.6 dB	±0.14 dB
60 dB ATTEN	-0.6 dB	_____	+0.6 dB	±0.14 dB
70 dB ATTEN	-0.6 dB	_____	+0.6 dB	±0.14 dB
Cumulative, 2.9 GHz				
20 dB ATTEN	-0.6 dB	_____	+0.6 dB	±0.23 dB
30 dB ATTEN	-1.2 dB	_____	+1.2 dB	±0.23 dB
40 dB ATTEN	-1.8 dB	_____	+1.8 dB	±0.23 dB
50 dB ATTEN	-1.8 dB	_____	+1.8 dB	±0.23 dB
60 dB ATTEN	-1.8 dB	_____	+1.8 dB	+0.24/-0.25 dB
70 dB ATTEN	-1.8 dB	_____	+1.8 dB	+0.24/-0.25 dB
Incremental, 2.9 GHz				
20 dB ATTEN	-0.6 dB	_____	+0.6 dB	±0.23 dB
30 dB ATTEN	-0.6 dB	_____	+0.6 dB	±0.23 dB
40 dB ATTEN	-0.6 dB	_____	+0.6 dB	±0.23 dB
50 dB ATTEN	-0.6 dB	_____	+0.6 dB	±0.23 dB
60 dB ATTEN	-0.6 dB	_____	+0.6 dB	+0.24/-0.25 dB
70 dB ATTEN	-0.6 dB	_____	+0.6 dB	+0.24/-0.25 dB

**Table 12-6 Performance Test Record (6 of 20)**

Agilent Technologies	
Select model: 8561E ___ 8561EC ___	Report No. _____
Serial No. _____	Date _____

Test Description	Results			Measurement Uncertainty
	Minimum	Measured	Maximum	
15. IF Gain Uncertainty				
LOG, 10 dB steps				
-10 dBm REF LVL	-1.0 dB	_____	+1.0 dB	±0.11 dB
-20 dBm REF LVL	-1.0 dB	_____	+1.0 dB	±0.11 dB
-30 dBm REF LVL	-1.0 dB	_____	+1.0 dB	±0.11 dB
-40 dBm REF LVL	-1.0 dB	_____	+1.0 dB	±0.11 dB
-50 dBm REF LVL	-1.0 dB	_____	+1.0 dB	±0.11 dB
-60 dBm REF LVL	-1.0 dB	_____	+1.0 dB	±0.12 dB
-70 dBm REF LVL	-1.0 dB	_____	+1.0 dB	±0.12 dB
-80 dBm REF LVL	-1.0 dB	_____	+1.0 dB	±0.12 dB
LOG, 1 dB steps				
-1 dBm REF LVL	-1.0 dB	_____	+1.0 dB	±0.11 dB
-2 dBm REF LVL	-1.0 dB	_____	+1.0 dB	±0.11 dB
-3 dBm REF LVL	-1.0 dB	_____	+1.0 dB	±0.11 dB
-4 dBm REF LVL	-1.0 dB	_____	+1.0 dB	±0.11 dB
-5 dBm REF LVL	-1.0 dB	_____	+1.0 dB	±0.11 dB
-6 dBm REF LVL	-1.0 dB	_____	+1.0 dB	±0.11 dB
-7 dBm REF LVL	-1.0 dB	_____	+1.0 dB	±0.11 dB
-8 dBm REF LVL	-1.0 dB	_____	+1.0 dB	±0.11 dB
-9 dBm REF LVL	-1.0 dB	_____	+1.0 dB	±0.11 dB
-10 dBm REF LVL	-1.0 dB	_____	+1.0 dB	±0.11 dB
-11 dBm REF LVL	-1.0 dB	_____	+1.0 dB	±0.11 dB
-12 dBm REF LVL	-1.0 dB	_____	+1.0 dB	±0.11 dB
LINEAR, 10 dB steps				
-10 dBm REF LVL	-1.0 dB	_____	+1.0 dB	±0.11 dB
-20 dBm REF LVL	-1.0 dB	_____	+1.0 dB	±0.11 dB
-30 dBm REF LVL	-1.0 dB	_____	+1.0 dB	±0.11 dB
-40 dBm REF LVL	-1.0 dB	_____	+1.0 dB	±0.11 dB

8561E/EC Performance Test Record  
**Test Record**

**Table 12-7 Performance Test Record (7 of 20)**

Agilent Technologies	
Select model: 8561E ____ 8561EC ____	Report No. _____
Serial No. _____	Date _____

Test Description	Results			Measurement Uncertainty
	Minimum	Measured	Maximum	
15. IF Gain Uncertainty (continued) LINEAR, 10 dB steps (cont'd)				
-50 dBm REF LVL	-1.0 dB	_____	+1.0 dB	±0.11 dB
-60 dBm REF LVL	-1.0 dB	_____	+1.0 dB	±0.12 dB
-70 dBm REF LVL	-1.0 dB	_____	+1.0 dB	±0.12 dB
-80 dBm REF LVL	-1.0 dB	_____	+1.0 dB	±0.12 dB
16. Scale Fidelity Cumulative, 10 dB/Div, RES BW ≥300 Hz				
-6 dB from REF LVL	-0.60 dB	_____	+0.60 dB	±0.24 dB
-12 dB from REF LVL	-0.85 dB	_____	+0.85 dB	±0.24 dB
-18 dB from REF LVL	-0.85 dB	_____	+0.85 dB	±0.24 dB
-24 dB from REF LVL	-0.85 dB	_____	+0.85 dB	±0.24 dB
-30 dB from REF LVL	-0.85 dB	_____	+0.85 dB	±0.24 dB
-36 dB from REF LVL	-0.85 dB	_____	+0.85 dB	±0.24 dB
-42 dB from REF LVL	-0.85 dB	_____	+0.85 dB	±0.24 dB
-48 dB from REF LVL	-0.85 dB	_____	+0.85 dB	±0.24 dB
-54 dB from REF LVL	-0.85 dB	_____	+0.85 dB	±0.24 dB
-60 dB from REF LVL	-0.85 dB	_____	+0.85 dB	+0.25/-0.26 dB
-66 dB from REF LVL	-0.85 dB	_____	+0.85 dB	+0.25/-0.26 dB
-72 dB from REF LVL	-0.85 dB	_____	+0.85 dB	+0.25/-0.26 dB
-78 dB from REF LVL	-0.85 dB	_____	+0.85 dB	+0.25/-0.26 dB
-84 dB from REF LVL	-0.85 dB	_____	+0.85 dB	+0.25/-0.26 dB
-90 dB from REF LVL	-0.85 dB	_____	+0.85 dB	+0.25/-0.26 dB

**Table 12-8 Performance Test Record (8 of 20)**

Agilent Technologies	
Select model: 8561E ___ 8561EC ___	Report No. _____
Serial No. _____	Date _____

Test Description	Results			Measurement Uncertainty
	Minimum	Measured	Maximum	
16. Scale Fidelity (continued)				
Incremental, 10 dB/Div,				
RES BW ≥300 Hz				
-12 dB from REF LVL	-0.10 dB	_____	+0.10 dB	±0.04 dB
-18 dB from REF LVL	-0.10 dB	_____	+0.10 dB	±0.04 dB
-24 dB from REF LVL	-0.10 dB	_____	+0.10 dB	±0.04 dB
-30 dB from REF LVL	-0.10 dB	_____	+0.10 dB	±0.04 dB
-36 dB from REF LVL	-0.10 dB	_____	+0.10 dB	±0.04 dB
-42 dB from REF LVL	-0.10 dB	_____	+0.10 dB	±0.04 dB
-48 dB from REF LVL	-0.10 dB	_____	+0.10 dB	±0.04 dB
-54 dB from REF LVL	-0.10 dB	_____	+0.10 dB	±0.04 dB
-60 dB from REF LVL	-0.10 dB	_____	+0.10 dB	±0.04 dB
-66 dB from REF LVL	-0.10 dB	_____	+0.10 dB	±0.04 dB
-72 dB from REF LVL	-0.10 dB	_____	+0.10 dB	±0.05 dB
-78 dB from REF LVL	-0.10 dB	_____	+0.10 dB	±0.05 dB
-84 dB from REF LVL	-0.10 dB	_____	+0.10 dB	±0.05 dB
-90 dB from REF LVL	-0.10 dB	_____	+0.10 dB	±0.05 dB
Cumulative, 10 dB/Div,				
RES BW ≤100 Hz				
-6 dB from REF LVL	-0.60 dB	_____	+0.60 dB	±0.24 dB
-12 dB from REF LVL	-0.85 dB	_____	+0.85 dB	±0.24 dB
-18 dB from REF LVL	-0.85 dB	_____	+0.85 dB	±0.24 dB
-24 dB from REF LVL	-0.85 dB	_____	+0.85 dB	±0.24 dB
-30 dB from REF LVL	-0.85 dB	_____	+0.85 dB	±0.24 dB
-36 dB from REF LVL	-0.85 dB	_____	+0.85 dB	±0.24 dB
-42 dB from REF LVL	-0.85 dB	_____	+0.85 dB	±0.24 dB
-48 dB from REF LVL	-0.85 dB	_____	+0.85 dB	±0.24 dB
-54 dB from REF LVL	-0.85 dB	_____	+0.85 dB	±0.24 dB

8561E/EC Performance Test Record  
**Test Record**

**Table 12-9 Performance Test Record (9 of 20)**

Agilent Technologies	
Select model: 8561E ____ 8561EC ____	Report No. _____
Serial No. _____	Date _____

Test Description	Results			Measurement Uncertainty
	Minimum	Measured	Maximum	
16. Scale Fidelity (continued)				
Cumulative, 10 dB/Div, RES BW ≤100 Hz (cont')				
-60 dB from REF LVL	-0.85 dB	_____	+0.85 dB	+0.25/-0.26 dB
-66 dB from REF LVL	-0.85 dB	_____	+0.85 dB	+0.25/-0.26 dB
-72 dB from REF LVL	-0.85 dB	_____	+0.85 dB	+0.25/-0.26 dB
-78 dB from REF LVL	-0.85 dB	_____	+0.85 dB	+0.25/-0.26 dB
-84 dB from REF LVL	-0.85 dB	_____	+0.85 dB	+0.25/-0.26 dB
-90 dB from REF LVL	-0.85 dB	_____	+0.85 dB	+0.25/-0.26 dB
-94 dB from REF LVL	-1.50 dB	_____	+1.50 dB	+0.25/-0.26 dB
-98 dB from REF LVL	-1.50 dB	_____	+1.50 dB	+0.25/-0.26 dB
Incremental, 10 dB/Div, RES BW ≤100 Hz				
-12 dB from REF LVL	-0.20 dB	_____	+0.20 dB	±0.04 dB
-18 dB from REF LVL	-0.20 dB	_____	+0.20 dB	±0.04 dB
-24 dB from REF LVL	-0.20 dB	_____	+0.20 dB	±0.04 dB
-30 dB from REF LVL	-0.20 dB	_____	+0.20 dB	±0.04 dB
-36 dB from REF LVL	-0.20 dB	_____	+0.20 dB	±0.04 dB
-42 dB from REF LVL	-0.20 dB	_____	+0.20 dB	±0.04 dB
-48 dB from REF LVL	-0.20 dB	_____	+0.20 dB	±0.04 dB
-54 dB from REF LVL	-0.20 dB	_____	+0.20 dB	±0.04 dB
-60 dB from REF LVL	-0.20 dB	_____	+0.20 dB	±0.04 dB
-66 dB from REF LVL	-0.20 dB	_____	+0.20 dB	±0.04 dB
-72 dB from REF LVL	-0.20 dB	_____	+0.20 dB	±0.05 dB
-78 dB from REF LVL	-0.20 dB	_____	+0.20 dB	±0.05 dB
-84 dB from REF LVL	-0.20 dB	_____	+0.20 dB	±0.05 dB
-90 dB from REF LVL	-0.20 dB	_____	+0.20 dB	±0.05 dB

**Table 12-10 Performance Test Record (10 of 20)**

Agilent Technologies	
Select model: 8561E ___ 8561EC ___	Report No. _____
Serial No. _____	Date _____

Test Description	Results			Measurement Uncertainty
	Minimum	Measured	Maximum	
16. Scale Fidelity (continued)				
Cumulative, 2 dB/Div				
-2 dB from REF LVL	-0.20 dB	_____	+0.20 dB	±0.053 dB
-4 dB from REF LVL	-0.40 dB	_____	+0.40 dB	±0.053 dB
-6 dB from REF LVL	-0.60 dB	_____	+0.60 dB	±0.053 dB
-8 dB from REF LVL	-0.80 dB	_____	+0.80 dB	±0.053 dB
-10 dB from REF LVL	-0.85 dB	_____	+0.85 dB	±0.053 dB
-12 dB from REF LVL	-0.85 dB	_____	+0.85 dB	±0.053 dB
-14 dB from REF LVL	-0.85 dB	_____	+0.85 dB	±0.053 dB
-16 dB from REF LVL	-0.85 dB	_____	+0.85 dB	±0.053 dB
-18 dB from REF LVL	-0.85 dB	_____	+0.85 dB	±0.053 dB
Incremental, 2 dB/Div				
-2 dB from REF LVL	-0.10 dB	_____	+0.10 dB	±0.04 dB
-4 dB from REF LVL	-0.10 dB	_____	+0.10 dB	±0.04 dB
-6 dB from REF LVL	-0.10 dB	_____	+0.10 dB	±0.04 dB
-8 dB from REF LVL	-0.10 dB	_____	+0.10 dB	±0.04 dB
-10 dB from REF LVL	-0.10 dB	_____	+0.10 dB	±0.04 dB
-12 dB from REF LVL	-0.10 dB	_____	+0.10 dB	±0.04 dB
-14 dB from REF LVL	-0.10 dB	_____	+0.10 dB	±0.04 dB
-16 dB from REF LVL	-0.10 dB	_____	+0.10 dB	±0.04 dB
-18 dB from REF LVL	-0.10 dB	_____	+0.10 dB	±0.04 dB
Linear				
-2 dB from REF LVL	-2.33 dB	_____	-1.68 dB	±0.04 dB
-4 dB from REF LVL	-4.42 dB	_____	-3.60 dB	±0.04 dB
-6 dB from REF LVL	-6.54 dB	_____	-5.50 dB	±0.04 dB
-8 dB from REF LVL	-8.68 dB	_____	-7.37 dB	±0.04 dB
-10 dB from REF LVL	-10.87 dB	_____	-9.21 dB	±0.04 dB
-12 dB from REF LVL	-13.10 dB	_____	-11.02 dB	±0.04 dB

8561E/EC Performance Test Record  
Test Record

**Table 12-11 Performance Test Record (11 of 20)**

Agilent Technologies	
Select model: 8561E ____ 8561EC ____	Report No. _____
Serial No. _____	Date _____

Test Description	Results			Measurement Uncertainty
	Minimum	Measured	Maximum	
16. Scale Fidelity (continued) Cumulative, 2 dB/Div (cont')				
-14 dB from REF LVL	-15.42 dB	_____	-12.78 dB	±0.04 dB
-16 dB from REF LVL	-17.82 dB	_____	-14.49 dB	±0.04 dB
-18 dB from REF LVL	-20.36 dB	_____	-16.14 dB	±0.04 dB
17. Residual FM				
Non-Option 103		_____	1 Hz	±0.2 Hz
Option 103		_____	10 Hz	±0.8 Hz
19. Noise Sidebands				
Non-Option 103				
+100 Hz offset (serial prefix <3424A)		_____	-80 dBc/Hz	+1.22/-1.34 dB
+100 Hz offset (serial prefix ≥3424A)		_____	-88 dBc/Hz	+1.22/-1.34 dB
-100 Hz offset (serial prefix <3424A)		_____	-80 dBc/Hz	+1.22/-1.34 dB
-100 Hz offset (serial prefix ≥3424A)		_____	-88 dBc/Hz	+1.22/-1.34 dB
+1 kHz offset		_____	-97 dBc/Hz	+1.22/-1.34 dB
-1 kHz offset		_____	-97 dBc/Hz	+1.22/-1.34 dB
+10 kHz offset		_____	-113 dBc/Hz	+1.22/-1.34 dB
-10 kHz offset		_____	-113 dBc/Hz	+1.22/-1.34 dB
+30 kHz offset		_____	-113 dBc/Hz	+1.22/-1.34 dB
-30 kHz offset		_____	-113 dBc/Hz	+1.22/-1.34 dB
+100 kHz offset (serial prefix <3424A)		_____	-113 dBc/Hz	+1.22/-1.34 dB
+100 kHz offset (serial prefix ≥3424A)		_____	-117 dBc/Hz	+1.22/-1.34 dB
-100 kHz offset (serial prefix <3424A)		_____	-113 dBc/Hz	+1.22/-1.34 dB



**Table 12-12 Performance Test Record (12 of 20)**

Agilent Technologies	
Select model: 8561E ___ 8561EC ___	Report No. _____
Serial No. _____	Date _____

Test Description	Results			Measurement Uncertainty
	Minimum	Measured	Maximum	
19. Noise Sidebands (continued)				
Non-Option 103 (cont'd)				
-100 kHz offset (serial prefix ≥3424A)		_____	-117 dBc/Hz	+1.22/-1.34 dB
Option 103				
+100 Hz offset		_____	-70 dBc/Hz	+1.22/-1.34 dB
-100 Hz offset		_____	-70 dBc/Hz	+1.22/-1.34 dB
+1 kHz offset		_____	-90 dBc/Hz	+1.22/-1.34 dB
-1 kHz offset		_____	-90 dBc/Hz	+1.22/-1.34 dB
+10 kHz offset		_____	-113 dBc/Hz	+1.22/-1.34 dB
-10 kHz offset		_____	-113 dBc/Hz	+1.22/-1.34 dB
+30 kHz offset		_____	-113 dBc/Hz	+1.22/-1.34 dB
-30 kHz offset		_____	-113 dBc/Hz	+1.22/-1.34 dB
+100 kHz offset (serial prefix <3424A)		_____	-113 dBc/Hz	+1.22/-1.34 dB
+100 kHz offset (serial prefix ≥3424A)		_____	-117 dBc/Hz	+1.22/-1.34 dB
-100 kHz offset (serial prefix <3424A)		_____	-113 dBc/Hz	+1.22/-1.34 dB
-100 kHz offset (serial prefix ≥3424A)		_____	-117 dBc/Hz	+1.22/-1.34 dB
20. Image, Multiple, and Out-of-Range Responses				
2 GHz CENTER FREQ				
2021.4 MHz		_____	-80 dBc	+0.8/-1.0 dB
2621.4 MHz		_____	-80 dBc	+0.8/-1.0 dB
2321.4 MHz		_____	-80 dBc	+0.8/-1.0 dB
2600.0 MHz		_____	-80 dBc	+0.8/-1.0 dB
5600.0 MHz		_____	-80 dBc	+0.8/-1.0 dB

8561E/EC Performance Test Record  
**Test Record**

**Table 12-13 Performance Test Record (13 of 20)**

Agilent Technologies	
Select model: 8561E ____ 8561EC ____	Report No. _____
Serial No. _____	Date _____

Test Description	Results			Measurement Uncertainty
	Minimum	Measured	Maximum	
20. Image, Multiple, and Out-of-Range Responses (continued)				
2 GHz CENTER FREQ (cont'd)				
6221.4 MHz		_____	-80 dBc	+0.8/-1.0 dB
7910.7 MHz		_____	-80 dBc	+0.8/-1.0 dB
9821.4 MHz		_____	-80 dBc	+0.8/-1.0 dB
4 GHz CENTER FREQ				
4021.4 MHz		_____	-80 dBc	+0.8/-1.0 dB
4621.4 MHz		_____	-80 dBc	+0.8/-1.0 dB
4321.4 MHz		_____	-80 dBc	+0.8/-1.0 dB
4600.0 MHz		_____	-80 dBc	+0.8/-1.0 dB
8310.7 MHz		_____	-80 dBc	+0.8/-1.0 dB
289.3 MHz		_____	-80 dBc	+0.8/-1.0 dB
8932.1 MHz		_____	-80 dBc	+0.8/-1.0 dB
26. Frequency Readout Accuracy and Frequency Count Marker Accuracy				
Frequency Readout Accuracy:				
1.5 GHz CENTER FREQ				
1 MHz SPAN	1.499988 GHz	_____	1.500012 GHz	±1 Hz
10 MHz SPAN	1.49948 GHz	_____	1.50052 GHz	±1 Hz
20 MHz SPAN	1.49895 GHz	_____	1.50105 GHz	±1 Hz
50 MHz SPAN	1.49745 GHz	_____	1.50255 GHz	±1 Hz
100 MHz SPAN	1.4948 GHz	_____	1.5052 GHz	±1 Hz
1 GHz SPAN	1.450 GHz	_____	1.550 GHz	±1 Hz

**Table 12-14 Performance Test Record (14 of 20)**

Agilent Technologies	
Select model: 8561E ___ 8561EC ___	Report No. _____
Serial No. _____	Date _____

Test Description	Results			Measurement Uncertainty
	Minimum	Measured	Maximum	
26. Frequency Readout Accuracy and Frequency Count Marker Accuracy (continued)				
Frequency Readout Accuracy:				
4.0 GHz CENTER FREQ				
1 MHz SPAN	3.999988 GHz	_____	4.000012 GHz	±1 Hz
10 MHz SPAN	3.99948 GHz	_____	4.00052 GHz	±1 Hz
20 MHz SPAN	3.99895 GHz	_____	4.00105 GHz	±1 Hz
50 MHz SPAN	3.99745 GHz	_____	4.00255 GHz	±1 Hz
100 MHz SPAN	3.9948 GHz	_____	4.0052 GHz	±1 Hz
1 GHz SPAN	3.950 GHz	_____	4.050 GHz	±1 Hz
Frequency Count Marker Accuracy:				
1.5 GHz CENTER FREQ	1.499999997 GHz	_____	1.500000003 GHz	±1 Hz
4.0 GHz CENTER FREQ	3.999999997 GHz	_____	4.000000003 GHz	±1 Hz
32. Pulse Digitization Uncertainty				
LOG 5dB/Div				
1 MHz RES BW		_____	1.25 dB	±0.15 dB
2 MHz RES BW		_____	3.0 dB	+0.43/-0.44 dB
LINEAR				
1 MHz RES BW		_____	4%	±0.31%
2 MHz RES BW		_____	12%	±0.65%
34. Second Harmonic Distortion (SHD)				
SHD (< 1.45 GHz)		_____	-72 dBc	+1.87/-2.28 dB
SHD (> 1.45 GHz)		_____	-79 dBc	+1.87/-2.28 dB

**Table 12-15 Performance Test Record (15 of 20)**

Agilent Technologies	
Select model: 8561E ____ 8561EC ____	Report No. _____
Serial No. _____	Date _____

Test Description	Results			Measurement Uncertainty
	Minimum	Measured	Maximum	
37. Frequency Response				
Band 0, dc coupled				
Maximum Positive Response		_____	+1.75 dB	+0.32/-0.34 dB
Maximum Negative Response	-1.75 dB	_____		+0.32/-0.34 dB
Peak-to-Peak Response		_____	2.0 dB	+0.32/-0.34 dB
Band 1, dc coupled				
Maximum Positive Response		_____	+2.5 dB	+0.44/-0.49 dB
Maximum Negative Response	-2.5 dB	_____		+0.44/-0.49 dB
Peak-to-Peak Response		_____	3.0 dB	+0.44/-0.49 dB
Band 0, ac coupled				
Maximum Positive Response		_____	+1.9 dB	+0.45/-0.50 dB
Maximum Negative Response	-1.9 dB	_____		+0.45/-0.50 dB
Peak-to-Peak Response		_____	2.2 dB	+0.45/-0.50 dB
Band 1, ac coupled				
Maximum Positive Response		_____	+3.0 dB	+0.51/-0.58 dB
Maximum Negative Response	-3.0 dB	_____		+0.51/-0.58 dB
Peak-to-Peak Response		_____	4.0 dB	+0.51/-0.58 dB
Band Switching Uncertainty:				
dc coupled:				
Band 0 to Band 1		_____	3.5 dB	+0.76/-0.83 dB
Band 1 to Band 0		_____	3.5 dB	+0.77/-0.84 dB

**Table 12-16 Performance Test Record (16 of 20)**

Agilent Technologies	
Select model: 8561E ___ 8561EC ___	Report No. _____
Serial No. _____	Date _____

Test Description	Results			Measurement Uncertainty
	Minimum	Measured	Maximum	
37. Frequency Response (continued) Band Switching Uncertainty: (cont') ac coupled:				
Band 0 to Band 1		_____	4.1 dB	+0.76/−0.83 dB
Band 1 to Band 0		_____	4.1 dB	+0.77/−0.84 dB
42. Frequency Span Accuracy				
1 kHz SPAN	−1 %	_____	+1 %	±0.24 %
2 kHz SPAN	−1 %	_____	+1 %	±0.24 %
5 kHz SPAN	−1 %	_____	+1 %	±0.24 %
10 kHz SPAN	−1 %	_____	+1 %	±0.24 %
20 kHz SPAN	−1 %	_____	+1 %	±0.24 %
50 kHz SPAN	−1 %	_____	+1 %	±0.24 %
100 kHz SPAN	−1 %	_____	+1 %	±0.24 %
200 kHz SPAN	−1 %	_____	+1 %	±0.24 %
500 kHz SPAN	−1 %	_____	+1 %	±0.24 %
1 MHz SPAN	−1 %	_____	+1 %	±0.24 %
2 MHz SPAN	−1 %	_____	+1 %	±0.24 %
5 MHz SPAN	−5 %	_____	+5 %	±0.24 %
10 MHz SPAN	−5 %	_____	+5 %	±0.24 %
20 MHz SPAN	−5 %	_____	+5 %	±0.24 %
50 MHz SPAN	−5 %	_____	+5 %	±0.24 %
100 MHz SPAN	−5 %	_____	+5 %	±0.24 %
200 MHz SPAN	−5 %	_____	+5 %	±0.24 %
500 MHz SPAN	−5 %	_____	+5 %	±0.24 %

8561E/EC Performance Test Record  
**Test Record**

**Table 12-17 Performance Test Record (17 of 20)**

Agilent Technologies	
Select model: 8561E ____ 8561EC ____	Report No. _____
Serial No. _____	Date _____

Test Description	Results			Measurement Uncertainty
	Minimum	Measured	Maximum	
44. Third Order Intermodulation Distortion TOI Distortion, 45 MHz TOI Distortion, 5 GHz		_____ _____	-78 dBc -90 dBc	+1.41/-1.43 dB +2.04/-2.12 dB
48. Gain Compression Gain Compression, 2 GHz Gain Compression, 4 GHz		_____ _____	1 dB 1 dB	±0.19 dB ±0.22 dB
52. 1ST LO OUTPUT Amplitude Maximum 1ST LO OUTPUT AMPLITUDE Minimum 1ST LO OUTPUT AMPLITUDE		_____ _____	+18.5 dBm	±0.18 dB ±0.18 dB
53. Sweep Time Accuracy 50 μs SWEEP TIME <sup>†</sup> 100 μs SWEEP TIME <sup>†</sup> 200 μs SWEEP TIME <sup>†</sup> 500 μs SWEEP TIME <sup>†</sup> 1 ms SWEEP TIME <sup>†</sup> 2 ms SWEEP TIME <sup>†</sup> 5 ms SWEEP TIME <sup>†</sup> 10 ms SWEEP TIME <sup>†</sup> 20 ms SWEEP TIME <sup>†</sup> 30 ms SWEEP TIME 50 ms SWEEP TIME	42.5 μs 85.0 μs 170 μs 425 μs 850 μs 1.70 ms 4.25 ms 8.50 ms 17.0 ms 29.7 ms 49.5 ms	_____ _____ _____ _____ _____ _____ _____ _____ _____ _____ _____	57.5 μs 115 μs 230 μs 575 μs 1.15 ms 2.30 ms 5.75 ms 11.5 ms 23.0 ms 30.3 ms 50.5 ms	±750 ns ±1.5 μs ±3.0 μs ±7.5 μs ±15 μs ±30 μs ±75 μs ±150 μs ±300 μs ±209 ns ±281 ns
<sup>†</sup> These entries apply only to E-Series spectrum analyzers without Option 007.				

**Table 12-18 Performance Test Record (18 of 20)**

Agilent Technologies	
Select model: 8561E ___ 8561EC ___	Report No. _____
Serial No. _____	Date _____

Test Description	Results			Measurement Uncertainty
	Minimum	Measured	Maximum	
53. Sweep Time Accuracy (continued)				
100 ms SWEEP TIME	99.0 ms	_____	101.0 ms	±461 ns
200 ms SWEEP TIME	198.0 ms	_____	202.0 ms	±821 ns
500 ms SWEEP TIME	495.0 ms	_____	505.0 ms	±1.901 µs
1 s SWEEP TIME	990.0 ms	_____	1.010 s	±3.7 µs
2 s SWEEP TIME	1.980 s	_____	2.020 s	±7.3 µs
5 s SWEEP TIME	4.950 s	_____	5.050 s	±18.1 µs
10 s SWEEP TIME	9.900 s	_____	10.10 s	±36.1 µs
20 s SWEEP TIME	19.80 s	_____	20.20 s	±72.1 µs
50 s SWEEP TIME	49.50 s	_____	50.50 s	±180.1 µs
100 s SWEEP TIME	99.00 s	_____	101.0 s	±360.1 µs
55. Residual Responses				
200 kHz to 2.9 GHz		_____	-90 dBm	+1.24/-1.37 dB
2.9 GHz to 6.5 GHz		_____	-90 dBm	+1.24/-1.37 dB
57. IF INPUT Amplitude Accuracy				
IF INPUT Amplitude	-31.5 dBm	_____	-28.5 dBm	+0.40/-0.44 dB
58. Gate Delay Accuracy and Gate Length Accuracy				
Serial prefix <3310A				
20 °C to 30 °C:				
MIN Gate Delay	1.9985 µs	_____	4.0015 µs	±21 ns
MAX Gate Delay	1.9985 µs	_____	4.0015 µs	±21 ns
1 µs Gate Length	799.5 ns	_____	1200.5 ns	±11 ns
65 ms Gate Length	64.967 ms	_____	65.033 ms	±752 ns

**Table 12-19 Performance Test Record (19 of 20)**

Agilent Technologies	
Select model: 8561E/EC	Report No. _____
Serial No. _____	Date _____

Test Description	Results			Measurement Uncertainty
	Minimum	Measured	Maximum	
58. Gate Delay Accuracy and Gate Length Accuracy (continued)				
Serial prefix <3310A (cont'd)				
-10 °C to 55 °C:				
MIN Gate Delay	1.9964 μs	_____	4.0036 μs	±21 ns
MAX Gate Delay	1.9964 μs	_____	4.0036 μs	±21 ns
1 μs Gate Length	798.8 ns	_____	1201.2 ns	±11 ns
65 ms Gate Length	64.922 ms	_____	65.078 ms	±752 ns
Serial prefix ≥3310A				
MIN Gate Delay	2.0000 μs	_____	4.0000 μs	±21 ns
MAX Gate Delay	2.0000 μs	_____	4.0000 μs	±21 ns
1 μs Gate Length	0.0000 ns	_____	2.0000 μs	±11 ns
65 ms Gate Length	64.999 ms	_____	65.001 ms	±752 ns
59. Delayed Sweep Accuracy				
Serial Prefix <3310A				
20 °C to 30 °C:				
1000 μs	998.5 μs	_____	1001.5 μs	±114 ns
2000 μs	1998 μs	_____	2002 μs	±124 ns
5000 μs	4996.5 μs	_____	5003.5 μs	±154 ns
10000 μs	9994 μs	_____	10006 μs	±204 ns
20000 μs	19989 μs	_____	20011 μs	±304 ns
50000 μs	49974 μs	_____	50026 μs	±604 ns
65000 μs	64966.5 μs	_____	65033.5 μs	±754 ns



**Table 12-20 Performance Test Record (20 of 20)**

Agilent Technologies	
Select model: 8561E ___ 8561EC ___	Report No. _____
Serial No. _____	Date _____

Test Description	Results			Measurement Uncertainty
	Minimum	Measured	Maximum	
59. Delayed Sweep Accuracy (continued)				
Serial Prefix <3310A (cont'd)				
-10 °C to 55 °C:				
1000 μs	997.8 μs	_____	1002.2 μs	±114 ns
2000 μs	1996.6 μs	_____	2003.4 μs	±124 ns
5000 μs	4993 μs	_____	5007 μs	±154 ns
10000 μs	9987 μs	_____	10013 μs	±204 ns
20000 μs	19975 μs	_____	20025 μs	±304 ns
50000 μs	49939 μs	_____	50061 μs	±604 ns
65000 μs	64922 μs	_____	65078 μs	±754 ns
Serial Prefix ≥3310A				
1000 μs	999 μs	_____	1001 μs	±114 ns
2000 μs	1999 μs	_____	2001 μs	±124 ns
5000 μs	4999 μs	_____	5001 μs	±154 ns
10000 μs	9999 μs	_____	10001 μs	±204 ns
20000 μs	19999 μs	_____	20001 μs	±304 ns
50000 μs	49999 μs	_____	50001 μs	±604 ns
65000 μs	64999 μs	_____	65001 μs	±754 ns

8561E/EC Performance Test Record  
**Test Record**



## Test Record

**Table 13-1 8562E/EC Performance Test Record**

Agilent Technologies		Report No. _____
Address: _____		Date _____
_____		(e.g. 10 SEP 1989)
Select model: 8562E ___ 8562EC ___		
Serial No. _____	Options _____	
Firmware Revision _____		
Customer _____		Tested by _____
Ambient temperature _____ °C		Relative humidity _____ %
Power mains line frequency _____ Hz (nominal)		
<b>Test Equipment Used</b>		
<b>Description</b>	<b>Model No.</b>	<b>Trace No.</b>
<b>Cal Due Date</b>		
Synthesized Sweeper #1	_____	_____
Synthesized Sweeper #2	_____	_____
Synthesized Signal Generator	_____	_____
Synthesizer/Level Generator	_____	_____
Frequency Standard	_____	_____
Measuring Receiver	_____	_____
RF Power Sensor	_____	_____
Low-Power Power Sensor	_____	_____
Microwave Power Sensor	_____	_____
Pulse/Function Generator	_____	_____
Microwave Frequency Counter	_____	_____
Universal Frequency Counter	_____	_____
Oscilloscope	_____	_____
Amplifier	_____	_____
Power Splitter	_____	_____
1.8 GHz Low-Pass Filter	_____	_____
4.4 GHz Low-Pass Filter	_____	_____
50 MHz Low-Pass Filter	_____	_____
50 Ω Termination	_____	_____
20 dB Fixed Attenuator	_____	_____
10 dB Fixed Attenuator	_____	_____
10 dB Step Attenuator	_____	_____
20 dB Step Attenuator	_____	_____
DVM	_____	_____
Function Generator	_____	_____
Notes/Comments: _____		
_____		

**Table 13-2 Performance Test Record (2 of 20)**

Agilent Technologies	
Select model: 8562E ____ 8562EC ____	Report No. _____
Serial No. _____	Date _____

Test Description	Results			Measurement Uncertainty
	Minimum	Measured	Maximum	
1. 10 MHz Reference Output Accuracy (Non-Option 103)				
5-minute Warm-up Error (0 °C to +55 °C)	$-1 \times 10^{-7}$	_____	$+1 \times 10^{-7}$	$\pm 2.004 \times 10^{-9}$
5-minute Warm-up Error (-10 °C to 0 °C)	$-1 \times 10^{-6}$	_____	$+1 \times 10^{-6}$	$\pm 2.004 \times 10^{-9}$
15-minute Warm-up Error	$-1 \times 10^{-8}$	_____	$+1 \times 10^{-8}$	$\pm 2.003 \times 10^{-9}$
2. 10 MHz Reference Output Accuracy (Option 103)				
Calibrator Frequency	299.9988 MHz	_____	300.0012 MHz	$\pm 55.75$ Hz
3. Fast Sweep Time Accuracy				
EC-Series and E-Series with Option 007	299.700 MHz	_____	300.300 MHz	$\pm 55.75$ Hz
4. Calibrator Amplitude Accuracy				
Calibrator Amplitude	-10.30 dBm	_____	+9.70 dB	$\pm 0.12$ dB
7. Displayed Average Noise Level				
Non-Option 103:				
30 Hz		_____	-90 dBm	+1.24/-1.37 dB
1 kHz		_____	-105 dBm	+1.24/-1.37 dB
10 kHz		_____	-120 dBm	+1.24/-1.37 dB
100 kHz		_____	-120 dBm	+1.24/-1.37 dB
1 MHz to 10 MHz		_____	-140 dBm	+1.24/-1.37 dB
10 MHz to 2.9 GHz		_____	-151 dBm	+1.24/-1.37 dB
2.9 GHz to 6.46 GHz		_____	-148 dBm	+1.24/-1.37 dB
6.46 GHz to 13.2 GHz		_____	-145 dBm	+1.24/-1.37 dB

**Table 13-3 Performance Test Record (3 of 20)**

Agilent Technologies	
Select model: 8562E ____ 8562EC ____	Report No. _____
Serial No. _____	Date _____

Test Description	Results			Measurement Uncertainty
	Minimum	Measured	Maximum	
7. DANL (continued)				
Option 103:				
30 Hz		_____	-80 dBm	+1.24/-1.37 dB
1 kHz		_____	-95 dBm	+1.24/-1.37 dB
10 kHz		_____	-110 dBm	+1.24/-1.37 dB
100 kHz		_____	-110 dBm	+1.24/-1.37 dB
1 MHz to 10 MHz		_____	-130 dBm	+1.24/-1.37 dB
10 MHz to 2.9 GHz		_____	-141 dBm	+1.24/-1.37 dB
2.9 GHz to 6.46 GHz		_____	-138 dBm	+1.24/-1.37 dB
6.46 GHz to 13.2 GHz		_____	-135 dBm	+1.24/-1.37 dB
11. Resolution Bandwidth Switching and IF Alignment Uncertainty				
2 MHz RES BW	-0.5 dB	_____	+0.5 dB	±0.10 dB
1 MHz RES BW	-0.5 dB	_____	+0.5 dB	±0.10 dB
100 kHz RES BW	-0.5 dB	_____	+0.5 dB	±0.10 dB
30 kHz RES BW	-0.5 dB	_____	+0.5 dB	±0.10 dB
10 kHz RES BW	-0.5 dB	_____	+0.5 dB	±0.10 dB
3 kHz RES BW	-0.5 dB	_____	+0.5 dB	±0.10 dB
1 kHz RES BW	-0.5 dB	_____	+0.5 dB	±0.10 dB
300 Hz RES BW	-1.0 dB	_____	+1.0 dB	±0.10 dB
100 Hz RES BW	-0.5 dB	_____	+0.5 dB	±0.10 dB
30 Hz RES BW	-0.5 dB	_____	+0.5 dB	±0.10 dB
10 Hz RES BW	-0.5 dB	_____	+0.5 dB	±0.10 dB
3 Hz RES BW*	-0.5 dB	_____	+0.5 dB	±0.10 dB
1 Hz RES BW*	-0.5 dB	_____	+0.5 dB	±0.10 dB
* 3 Hz and 1 Hz RES BW not available with Option 103.				

**Table 13-4 Performance Test Record (4 of 20)**

Agilent Technologies	
Select model: 8562E ___ 8562EC ___	Report No. _____
Serial No. _____	Date _____

Test Description	Results			Measurement Uncertainty
	Minimum	Measured	Maximum	
12. Resolution Bandwidth Accuracy and Selectivity				
3 dB Bandwidth Accuracy				
2 MHz RES BW	-25%	_____	+50%	±1.33%
1 MHz RES BW	-25%	_____	+25%	±1.33%
300 kHz RES BW	-10%	_____	+10%	±1.33%
100 kHz RES BW	-10%	_____	+10%	±1.33%
30 kHz RES BW	-10%	_____	+10%	±1.33%
10 kHz RES BW	-10%	_____	+10%	±1.33%
3 kHz RES BW	-10%	_____	+10%	±1.33%
1 kHz RES BW	-10%	_____	+10%	±1.33%
300 Hz RES BW	-10%	_____	+10%	±1.33%
Selectivity				
2 MHz RES BW		_____	15:1	±2.8%
1 MHz RES BW		_____	15:1	±2.8%
300 kHz RES BW		_____	15:1	±2.8%
100 kHz RES BW		_____	15:1	±2.8%
30 kHz RES BW		_____	15:1	±2.8%
10 kHz RES BW		_____	15:1	±2.8%
3 kHz RES BW		_____	15:1	±2.8%
1 kHz RES BW		_____	15:1	±2.8%
300 Hz RES BW		_____	15:1	±2.8%
13. Input Attenuator Switching Uncertainty				
Cumulative, 50 MHz				
20 dB ATTEN	-0.6 dB	_____	+0.6 dB	±0.12 dB
30 dB ATTEN	-1.2 dB	_____	+1.2 dB	±0.12 dB
40 dB ATTEN	-1.8 dB	_____	+1.8 dB	±0.12 dB
50 dB ATTEN	-1.8 dB	_____	+1.8 dB	±0.14 dB

**Table 13-5 Performance Test Record (5 of 20)**

Agilent Technologies	
Select model: 8562E ____ 8562EC ____	Report No. _____
Serial No. _____	Date _____

Test Description	Results			Measurement Uncertainty
	Minimum	Measured	Maximum	
13. Input Attenuator Switching Uncertainty (continued)				
Cumulative, 50 MHz (cont'd)				
60 dB ATTEN	-1.8 dB	_____	+1.8 dB	±0.14 dB
70 dB ATTEN	-1.8 dB	_____	+1.8 dB	±0.14 dB
Incremental, 50 MHz				
20 dB ATTEN	-0.6 dB	_____	+0.6 dB	±0.12 dB
30 dB ATTEN	-0.6 dB	_____	+0.6 dB	±0.12 dB
40 dB ATTEN	-0.6 dB	_____	+0.6 dB	±0.12 dB
50 dB ATTEN	-0.6 dB	_____	+0.6 dB	±0.14 dB
60 dB ATTEN	-0.6 dB	_____	+0.6 dB	±0.14 dB
70 dB ATTEN	-0.6 dB	_____	+0.6 dB	±0.14 dB
Cumulative, 2.9 GHz				
20 dB ATTEN	-0.6 dB	_____	+0.6 dB	±0.23 dB
30 dB ATTEN	-1.2 dB	_____	+1.2 dB	±0.23 dB
40 dB ATTEN	-1.8 dB	_____	+1.8 dB	±0.23 dB
50 dB ATTEN	-1.8 dB	_____	+1.8 dB	±0.23 dB
60 dB ATTEN	-1.8 dB	_____	+1.8 dB	+0.24/-0.25 dB
70 dB ATTEN	-1.8 dB	_____	+1.8 dB	+0.24/-0.25 dB
Incremental, 2.9 GHz				
20 dB ATTEN	-0.6 dB	_____	+0.6 dB	±0.23 dB
30 dB ATTEN	-0.6 dB	_____	+0.6 dB	±0.23 dB
40 dB ATTEN	-0.6 dB	_____	+0.6 dB	±0.23 dB
50 dB ATTEN	-0.6 dB	_____	+0.6 dB	±0.23 dB
60 dB ATTEN	-0.6 dB	_____	+0.6 dB	+0.24/-0.25 dB
70 dB ATTEN	-0.6 dB	_____	+0.6 dB	+0.24/-0.25 dB



**Table 13-6 Performance Test Record (6 of 20)**

Agilent Technologies	
Select model: 8562E ___ 8562EC ___	Report No. _____
Serial No. _____	Date _____

Test Description	Results			Measurement Uncertainty
	Minimum	Measured	Maximum	
15. IF Gain Uncertainty				
LOG, 10 dB steps				
-10 dBm REF LVL	-1.0 dB	_____	+1.0 dB	±0.11 dB
-20 dBm REF LVL	-1.0 dB	_____	+1.0 dB	±0.11 dB
-30 dBm REF LVL	-1.0 dB	_____	+1.0 dB	±0.11 dB
-40 dBm REF LVL	-1.0 dB	_____	+1.0 dB	±0.11 dB
-50 dBm REF LVL	-1.0 dB	_____	+1.0 dB	±0.11 dB
-60 dBm REF LVL	-1.0 dB	_____	+1.0 dB	±0.12 dB
-70 dBm REF LVL	-1.0 dB	_____	+1.0 dB	±0.12 dB
-80 dBm REF LVL	-1.0 dB	_____	+1.0 dB	±0.12 dB
LOG, 1 dB steps				
-1 dBm REF LVL	-1.0 dB	_____	+1.0 dB	±0.11 dB
-2 dBm REF LVL	-1.0 dB	_____	+1.0 dB	±0.11 dB
-3 dBm REF LVL	-1.0 dB	_____	+1.0 dB	±0.11 dB
-4 dBm REF LVL	-1.0 dB	_____	+1.0 dB	±0.11 dB
-5 dBm REF LVL	-1.0 dB	_____	+1.0 dB	±0.11 dB
-6 dBm REF LVL	-1.0 dB	_____	+1.0 dB	±0.11 dB
-7 dBm REF LVL	-1.0 dB	_____	+1.0 dB	±0.11 dB
-8 dBm REF LVL	-1.0 dB	_____	+1.0 dB	±0.11 dB
-9 dBm REF LVL	-1.0 dB	_____	+1.0 dB	±0.11 dB
-10 dBm REF LVL	-1.0 dB	_____	+1.0 dB	±0.11 dB
-11 dBm REF LVL	-1.0 dB	_____	+1.0 dB	±0.11 dB
-12 dBm REF LVL	-1.0 dB	_____	+1.0 dB	±0.11 dB
LINEAR, 10 dB steps				
-10 dBm REF LVL	-1.0 dB	_____	+1.0 dB	±0.11 dB
-20 dBm REF LVL	-1.0 dB	_____	+1.0 dB	±0.11 dB
-30 dBm REF LVL	-1.0 dB	_____	+1.0 dB	±0.11 dB
-40 dBm REF LVL	-1.0 dB	_____	+1.0 dB	±0.11 dB

8562E/EC Performance Test Record  
**Test Record**

**Table 13-7 Performance Test Record (7 of 20)**

Agilent Technologies	
Select model: 8562E ____ 8562EC ____	Report No. _____
Serial No. _____	Date _____

Test Description	Results			Measurement Uncertainty
	Minimum	Measured	Maximum	
15. IF Gain Uncertainty (continued) LINEAR, 10 dB steps (cont'd)				
-50 dBm REF LVL	-1.0 dB	_____	+1.0 dB	±0.11 dB
-60 dBm REF LVL	-1.0 dB	_____	+1.0 dB	±0.12 dB
-70 dBm REF LVL	-1.0 dB	_____	+1.0 dB	±0.12 dB
-80 dBm REF LVL	-1.0 dB	_____	+1.0 dB	±0.12 dB
16. Scale Fidelity Cumulative, 10 dB/Div, RES BW ≥300 Hz				
-6 dB from REF LVL	-0.60 dB	_____	+0.60 dB	±0.24 dB
-12 dB from REF LVL	-0.85 dB	_____	+0.85 dB	±0.24 dB
-18 dB from REF LVL	-0.85 dB	_____	+0.85 dB	±0.24 dB
-24 dB from REF LVL	-0.85 dB	_____	+0.85 dB	±0.24 dB
-30 dB from REF LVL	-0.85 dB	_____	+0.85 dB	±0.24 dB
-36 dB from REF LVL	-0.85 dB	_____	+0.85 dB	±0.24 dB
-42 dB from REF LVL	-0.85 dB	_____	+0.85 dB	±0.24 dB
-48 dB from REF LVL	-0.85 dB	_____	+0.85 dB	±0.24 dB
-54 dB from REF LVL	-0.85 dB	_____	+0.85 dB	±0.24 dB
-60 dB from REF LVL	-0.85 dB	_____	+0.85 dB	+0.25/-0.26 dB
-66 dB from REF LVL	-0.85 dB	_____	+0.85 dB	+0.25/-0.26 dB
-72 dB from REF LVL	-0.85 dB	_____	+0.85 dB	+0.25/-0.26 dB
-78 dB from REF LVL	-0.85 dB	_____	+0.85 dB	+0.25/-0.26 dB
-84 dB from REF LVL	-0.85 dB	_____	+0.85 dB	+0.25/-0.26 dB
-90 dB from REF LVL	-0.85 dB	_____	+0.85 dB	+0.25/-0.26 dB

**Table 13-8 Performance Test Record (8 of 20)**

Agilent Technologies	
Select model: 8562E ___ 8562EC ___	Report No. _____
Serial No. _____	Date _____

Test Description	Results			Measurement Uncertainty
	Minimum	Measured	Maximum	
16. Scale Fidelity (continued)				
Incremental, 10 dB/Div,				
RES BW $\geq$ 300 Hz				
-12 dB from REF LVL	-0.10 dB	_____	+0.10 dB	$\pm$ 0.04 dB
-18 dB from REF LVL	-0.10 dB	_____	+0.10 dB	$\pm$ 0.04 dB
-24 dB from REF LVL	-0.10 dB	_____	+0.10 dB	$\pm$ 0.04 dB
-30 dB from REF LVL	-0.10 dB	_____	+0.10 dB	$\pm$ 0.04 dB
-36 dB from REF LVL	-0.10 dB	_____	+0.10 dB	$\pm$ 0.04 dB
-42 dB from REF LVL	-0.10 dB	_____	+0.10 dB	$\pm$ 0.04 dB
-48 dB from REF LVL	-0.10 dB	_____	+0.10 dB	$\pm$ 0.04 dB
-54 dB from REF LVL	-0.10 dB	_____	+0.10 dB	$\pm$ 0.04 dB
-60 dB from REF LVL	-0.10 dB	_____	+0.10 dB	$\pm$ 0.04 dB
-66 dB from REF LVL	-0.10 dB	_____	+0.10 dB	$\pm$ 0.04 dB
-72 dB from REF LVL	-0.10 dB	_____	+0.10 dB	$\pm$ 0.05 dB
-78 dB from REF LVL	-0.10 dB	_____	+0.10 dB	$\pm$ 0.05 dB
-84 dB from REF LVL	-0.10 dB	_____	+0.10 dB	$\pm$ 0.05 dB
-90 dB from REF LVL	-0.10 dB	_____	+0.10 dB	$\pm$ 0.05 dB
Cumulative, 10 dB/Div,				
RES BW $\leq$ 100 Hz				
-6 dB from REF LVL	-0.60 dB	_____	+0.60 dB	$\pm$ 0.24 dB
-12 dB from REF LVL	-0.85 dB	_____	+0.85 dB	$\pm$ 0.24 dB
-18 dB from REF LVL	-0.85 dB	_____	+0.85 dB	$\pm$ 0.24 dB
-24 dB from REF LVL	-0.85 dB	_____	+0.85 dB	$\pm$ 0.24 dB
-30 dB from REF LVL	-0.85 dB	_____	+0.85 dB	$\pm$ 0.24 dB
-36 dB from REF LVL	-0.85 dB	_____	+0.85 dB	$\pm$ 0.24 dB
-42 dB from REF LVL	-0.85 dB	_____	+0.85 dB	$\pm$ 0.24 dB
-48 dB from REF LVL	-0.85 dB	_____	+0.85 dB	$\pm$ 0.24 dB
-54 dB from REF LVL	-0.85 dB	_____	+0.85 dB	$\pm$ 0.24 dB

8562E/EC Performance Test Record  
**Test Record**

**Table 13-9 Performance Test Record (9 of 20)**

Agilent Technologies	
Select model: 8562E ____ 8562EC ____	Report No. _____
Serial No. _____	Date _____

Test Description	Results			Measurement Uncertainty
	Minimum	Measured	Maximum	
16. Scale Fidelity (continued)				
Cumulative, 10 dB/Div, RES BW ≤100 Hz (cont'd)				
-60 dB from REF LVL	-0.85 dB	_____	+0.85 dB	+0.25/-0.26 dB
-66 dB from REF LVL	-0.85 dB	_____	+0.85 dB	+0.25/-0.26 dB
-72 dB from REF LVL	-0.85 dB	_____	+0.85 dB	+0.25/-0.26 dB
-78 dB from REF LVL	-0.85 dB	_____	+0.85 dB	+0.25/-0.26 dB
-84 dB from REF LVL	-0.85 dB	_____	+0.85 dB	+0.25/-0.26 dB
-90 dB from REF LVL	-0.85 dB	_____	+0.85 dB	+0.25/-0.26 dB
-94 dB from REF LVL	-1.50 dB	_____	+1.50 dB	+0.25/-0.26 dB
-98 dB from REF LVL	-1.50 dB	_____	+1.50 dB	+0.25/-0.26 dB
Incremental, 10 dB/Div, RES BW ≤100 Hz				
-12 dB from REF LVL	-0.20 dB	_____	+0.20 dB	±0.04 dB
-18 dB from REF LVL	-0.20 dB	_____	+0.20 dB	±0.04 dB
-24 dB from REF LVL	-0.20 dB	_____	+0.20 dB	±0.04 dB
-30 dB from REF LVL	-0.20 dB	_____	+0.20 dB	±0.04 dB
-36 dB from REF LVL	-0.20 dB	_____	+0.20 dB	±0.04 dB
-42 dB from REF LVL	-0.20 dB	_____	+0.20 dB	±0.04 dB
-48 dB from REF LVL	-0.20 dB	_____	+0.20 dB	±0.04 dB
-54 dB from REF LVL	-0.20 dB	_____	+0.20 dB	±0.04 dB
-60 dB from REF LVL	-0.20 dB	_____	+0.20 dB	±0.04 dB
-66 dB from REF LVL	-0.20 dB	_____	+0.20 dB	±0.04 dB
-72 dB from REF LVL	-0.20 dB	_____	+0.20 dB	±0.05 dB
-78 dB from REF LVL	-0.20 dB	_____	+0.20 dB	±0.05 dB
-84 dB from REF LVL	-0.20 dB	_____	+0.20 dB	±0.05 dB
-90 dB from REF LVL	-0.20 dB	_____	+0.20 dB	±0.05 dB

**Table 13-10 Performance Test Record (10 of 20)**

Agilent Technologies	
Select model: 8562E ___ 8562EC ___	Report No. _____
Serial No. _____	Date _____

Test Description	Results			Measurement Uncertainty
	Minimum	Measured	Maximum	
16. Scale Fidelity (continued)				
Cumulative, 2 dB/Div				
-2 dB from REF LVL	-0.20 dB	_____	+0.20 dB	±0.053 dB
-4 dB from REF LVL	-0.40 dB	_____	+0.40 dB	±0.053 dB
-6 dB from REF LVL	-0.60 dB	_____	+0.60 dB	±0.053 dB
-8 dB from REF LVL	-0.80 dB	_____	+0.80 dB	±0.053 dB
-10 dB from REF LVL	-0.85 dB	_____	+0.85 dB	±0.053 dB
-12 dB from REF LVL	-0.85 dB	_____	+0.85 dB	±0.053 dB
-14 dB from REF LVL	-0.85 dB	_____	+0.85 dB	±0.053 dB
-16 dB from REF LVL	-0.85 dB	_____	+0.85 dB	±0.053 dB
-18 dB from REF LVL	-0.85 dB	_____	+0.85 dB	±0.053 dB
Incremental, 2 dB/Div				
-2 dB from REF LVL	-0.10 dB	_____	+0.10 dB	±0.04 dB
-4 dB from REF LVL	-0.10 dB	_____	+0.10 dB	±0.04 dB
-6 dB from REF LVL	-0.10 dB	_____	+0.10 dB	±0.04 dB
-8 dB from REF LVL	-0.10 dB	_____	+0.10 dB	±0.04 dB
-10 dB from REF LVL	-0.10 dB	_____	+0.10 dB	±0.04 dB
-12 dB from REF LVL	-0.10 dB	_____	+0.10 dB	±0.04 dB
-14 dB from REF LVL	-0.10 dB	_____	+0.10 dB	±0.04 dB
-16 dB from REF LVL	-0.10 dB	_____	+0.10 dB	±0.04 dB
-18 dB from REF LVL	-0.10 dB	_____	+0.10 dB	±0.04 dB
Linear				
-2 dB from REF LVL	-2.33 dB	_____	-1.68 dB	±0.04 dB
-4 dB from REF LVL	-4.42 dB	_____	-3.60 dB	±0.04 dB
-6 dB from REF LVL	-6.54 dB	_____	-5.50 dB	±0.04 dB
-8 dB from REF LVL	-8.68 dB	_____	-7.37 dB	±0.04 dB
-10 dB from REF LVL	-10.87 dB	_____	-9.21 dB	±0.04 dB
-12 dB from REF LVL	-13.10 dB	_____	-11.02 dB	±0.04 dB

**Table 13-11 Performance Test Record (11 of 20)**

Agilent Technologies	
Select model: 8562E ____ 8562EC ____	Report No. _____
Serial No. _____	Date _____

Test Description	Results			Measurement Uncertainty
	Minimum	Measured	Maximum	
16. Scale Fidelity (continued) Cumulative, 2 dB/Div (cont'd)				
-14 dB from REF LVL	-15.42 dB	_____	-12.78 dB	±0.033 dB
-16 dB from REF LVL	-17.82 dB	_____	-14.49 dB	±0.033 dB
-18 dB from REF LVL	-20.36 dB	_____	-16.14 dB	±0.033 dB
17. Residual FM				
Non-Option 103		_____	1 Hz	±0.2 Hz
Option 103		_____	10 Hz	±0.8 Hz
19. Noise Sidebands Non-Option 103				
+100 Hz offset		_____	-88 dBc/Hz	+1.22/-1.34 dB
-100 Hz offset		_____	-88 dBc/Hz	+1.22/-1.34 dB
+1 kHz offset		_____	-97 dBc/Hz	+1.22/-1.34 dB
-1 kHz offset		_____	-97 dBc/Hz	+1.22/-1.34 dB
+10 kHz offset		_____	-113 dBc/Hz	+1.22/-1.34 dB
-10 kHz offset		_____	-113 dBc/Hz	+1.22/-1.34 dB
+30 kHz offset		_____	-113 dBc/Hz	+1.22/-1.34 dB
-30 kHz offset		_____	-113 dBc/Hz	+1.22/-1.34 dB
+100 kHz offset		_____	-117 dBc/Hz	+1.22/-1.34 dB
-100 kHz offset		_____	-117 dBc/Hz	+1.22/-1.34 dB
-1 kHz offset		_____	-97 dBc/Hz	+1.22/-1.34 dB
+10 kHz offset		_____	-113 dBc/Hz	+1.22/-1.34 dB
-10 kHz offset		_____	-113 dBc/Hz	+1.22/-1.34 dB
+30 kHz offset		_____	-113 dBc/Hz	+1.22/-1.34 dB
-30 kHz offset		_____	-113 dBc/Hz	+1.22/-1.34 dB

**Table 13-12 Performance Test Record (12 of 20)**

Agilent Technologies	
Select model: 8562E ___ 8562EC ___	Report No. _____
Serial No. _____	Date _____

Test Description	Results			Measurement Uncertainty
	Minimum	Measured	Maximum	
19. Noise Sidebands (continued)				
Option 103				
+100 Hz offset		_____	-70 dBc/Hz	+1.22/-1.34 dB
-100 Hz offset		_____	-70 dBc/Hz	+1.22/-1.34 dB
+1 kHz offset		_____	-90 dBc/Hz	+1.22/-1.34 dB
-1 kHz offset		_____	-90 dBc/Hz	+1.22/-1.34 dB
+10 kHz offset		_____	-113 dBc/Hz	+1.22/-1.34 dB
-10 kHz offset		_____	-113 dBc/Hz	+1.22/-1.34 dB
+30 kHz offset		_____	-113 dBc/Hz	+1.22/-1.34 dB
-30 kHz offset		_____	-113 dBc/Hz	+1.22/-1.34 dB
+100 kHz offset		_____	-117 dBc/Hz	+1.22/-1.34 dB
-100 kHz offset		_____	-117 dBc/Hz	+1.22/-1.34 dB
22. Image, Multiple, and Out-of-Range Responses				
2 GHz CENTER FREQ				
2021.4 MHz		_____	-80 dBc	+0.8/-1.0 dB
2621.4 MHz		_____	-80 dBc	+0.8/-1.0 dB
2321.4 MHz		_____	-80 dBc	+0.8/-1.0 dB
2600.0 MHz		_____	-80 dBc	+0.8/-1.0 dB
7910.7 MHz		_____	-80 dBc	+0.8/-1.0 dB
9821.4 MHz		_____	-80 dBc	+0.8/-1.0 dB
4 GHz CENTER FREQ				
4021.4 MHz		_____	-80 dBc	+0.8/-1.0 dB
4621.4 MHz		_____	-80 dBc	+0.8/-1.0 dB
4321.4 MHz		_____	-80 dBc	+0.8/-1.0 dB
4600.0 MHz		_____	-80 dBc	+0.8/-1.0 dB
8310.7 MHz		_____	-80 dBc	+0.8/-1.0 dB
8932.1 MHz		_____	-80 dBc	+0.8/-1.0 dB

8562E/EC Performance Test Record  
**Test Record**

**Table 13-13 Performance Test Record (13 of 20)**

Agilent Technologies	
Select model: 8562E ____ 8562EC ____	Report No. _____
Serial No. _____	Date _____

Test Description	Results			Measurement Uncertainty
	Minimum	Measured	Maximum	
22. Image, Multiple, and Out-of-Range Responses (continued)  9 GHz CENTER FREQ 9021.4 MHz 9621.4 MHz 9321.4 MHz 9600.0 MHz 4344.65 MHz 4966.05 MHz		_____ _____ _____ _____ _____ _____	-80 dBc -80 dBc -80 dBc -80 dBc -80 dBc -80 dBc	+0.8/-1.0 dB +0.8/-1.0 dB +0.8/-1.0 dB +0.8/-1.0 dB +0.8/-1.0 dB +0.8/-1.0 dB
28. Frequency Readout Accuracy and Frequency Count Marker Accuracy  Frequency Readout Accuracy: 1.5 GHz CENTER FREQ 1 MHz SPAN 10 MHz SPAN 20 MHz SPAN 50 MHz SPAN 100 MHz SPAN 1 GHz SPAN 4.0 GHz CENTER FREQ 1 MHz SPAN 10 MHz SPAN 20 MHz SPAN 50 MHz SPAN 100 MHz SPAN 1 GHz SPAN	1.499988 GHz 1.49948 GHz 1.49895 GHz 1.49745 GHz 1.4948 GHz 1.450 GHz  3.999988 GHz 3.99948 GHz 3.99895 GHz 3.99745 GHz 3.9948 GHz 3.950 GHz	_____ _____ _____ _____ _____ _____  _____ _____ _____ _____ _____ _____	1.500012 GHz 1.50052 GHz 1.50105 GHz 1.50255 GHz 1.5052 GHz 1.550 GHz  4.000012 GHz 4.00052 GHz 4.00105 GHz 4.00255 GHz 4.0052 GHz 4.050 GHz	±1 Hz ±1 Hz ±1 Hz ±1 Hz ±1 Hz ±1 Hz  ±1 Hz ±1 Hz ±1 Hz ±1 Hz ±1 Hz ±1 Hz



**Table 13-14 Performance Test Record (14 of 20)**

Agilent Technologies	
Select model: 8562E ___ 8562EC ___	Report No. _____
Serial No. _____	Date _____

Test Description	Results			Measurement Uncertainty
	Minimum	Measured	Maximum	
28. Frequency Readout Accuracy and Frequency Count Marker Accuracy (continued)				
Frequency Readout Accuracy: (cont'd)				
9.0 GHz CENTER FREQ				
1 MHz SPAN	8.999988GHz	_____	9.000012GHz	±2 Hz
10 MHz SPAN	8.99948 GHz	_____	9.00052 GHz	±2 Hz
20 MHz SPAN	8.99895 GHz	_____	9.00105 GHz	±2 Hz
50 MHz SPAN	8.99745 GHz	_____	9.00255 GHz	±2 Hz
100 MHz SPAN	8.9948 GHz	_____	9.0052 GHz	±2 Hz
1 GHz SPAN	8.950 GHz	_____	9.050 GHz	±2 Hz
Frequency Count Marker Accuracy:				
1.5 GHz CENTER FREQ	1.499999997 GHz	_____	1.500000003 GHz	±1 Hz
4.0 GHz CENTER FREQ	3.999999997 GHz	_____	4.000000003 GHz	±1 Hz
9.0 GHz CENTER FREQ	8.999999995 GHz	_____	9.000000005 GHz	±2 Hz
32. Pulse Digitization Uncertainty				
LOG 5dB/Div				
1 MHz RES BW		_____	1.25 dB	±0.15 dB
2 MHz RES BW		_____	3.0 dB	+0.43/-0.44 dB
LINEAR				
1 MHz RES BW		_____	4%	±0.31%
2 MHz RES BW		_____	12%	±0.65%

8562E/EC Performance Test Record  
**Test Record**

**Table 13-15 Performance Test Record (15 of 20)**

Agilent Technologies	
Select model: 8562E ____ 8562EC ____	Report No. _____
Serial No. _____	Date _____

Test Description	Results			Measurement Uncertainty
	Minimum	Measured	Maximum	
35. Second Harmonic Distortion (SHD)				
SHD (< 1.45 GHz)		_____	-79 dBc	+1.87/-2.28 dB
SHD (1.5 GHz)		_____	-85 dBc	+2.32/-2.66 dB
SHD (> 2.0 GHz)		_____	-100 dBc	+2.32/-2.66 dB
38. Frequency Response				
Band 0, dc coupled				
Maximum Positive Response		_____	-1.80 dB	+0.32/-0.34 dB
Maximum Negative Response	+1.80 dB	_____		+0.32/-0.34 dB
Peak-to-Peak Response		_____	2.5 dB	+0.32/-0.34 dB
Band 1, dc coupled				
Maximum Positive Response		_____	+2.5 dB	+0.44/-0.49 dB
Maximum Negative Response	-2.5 dB	_____		+0.44/-0.49 dB
Peak-to-Peak Response		_____	3.0 dB	+0.44/-0.49 dB
Band 2, dc coupled				
Maximum Positive Response		_____	+2.9 dB	+0.45/-0.50 dB
Maximum Negative Response	-2.9 dB	_____		+0.45/-0.50 dB
Peak-to-Peak Response		_____	4.4 dB	+0.45/-0.50 dB
Band 0, ac coupled				
Maximum Positive Response		_____	+1.9 dB	+0.32/-0.34 dB
Maximum Negative Response	-1.9 dB	_____		+0.32/-0.34 dB
Peak-to-Peak Response		_____	2.5 dB	+0.32/-0.34 dB

**Table 13-16 Performance Test Record (16 of 20)**

Agilent Technologies	
Select model: 8562E ___ 8562EC ___	Report No. _____
Serial No. _____	Date _____

Test Description	Results			Measurement Uncertainty
	Minimum	Measured	Maximum	
38. Frequency Response (continued)				
Band 1, ac coupled				
Maximum Positive Response		_____	+3.0 dB	+0.44/-0.49 dB
Maximum Negative Response	-3.0 dB	_____		+0.44/-0.49 dB
Peak-to-Peak Response		_____	4.0 dB	+0.44/-0.49 dB
Band 2, ac coupled				
Maximum Positive Response		_____	+3.0 dB	+0.45/-0.50 dB
Maximum Negative Response	-3.0 dB	_____		+0.45/-0.50 dB
Peak-to-Peak Response		_____	4.4 dB	+0.45/-0.50 dB
Band 0, dc coupled, 100 MHz to 2.3 GHz				
Peak-to-Peak Response		_____	1.8 dB	+0.32/-0.34 dB
Band Switching Uncertainty:				
dc coupled				
Band 0 to Band 1		_____	3.75 dB	+0.76/-0.83 dB
Band 0 to Band 2		_____	4.45 dB	+0.77/-0.84 dB
Band 1 to Band 2		_____	4.7 dB	+0.89/-0.99 dB
ac coupled				
Band 0 to Band 1		_____	4.25 dB	+0.76/-0.83 dB
Band 0 to Band 2		_____	4.45 dB	+0.77/-0.84 dB
Band 1 to Band 2		_____	5.2 dB	+0.89/-0.99 dB

8562E/EC Performance Test Record  
**Test Record**

**Table 13-17 Performance Test Record (17 of 20)**

Agilent Technologies	
Select model: 8562E ____ 8562EC ____	Report No. _____
Serial No. _____	Date _____

Test Description	Results			Measurement Uncertainty
	Minimum	Measured	Maximum	
42. Frequency Span Accuracy				
1 kHz SPAN	-1 %	_____	+1 %	±0.24 %
2 kHz SPAN	-1 %	_____	+1 %	±0.24 %
5 kHz SPAN	-1 %	_____	+1 %	±0.24 %
10 kHz SPAN	-1 %	_____	+1 %	±0.24 %
20 kHz SPAN	-1 %	_____	+1 %	±0.24 %
50 kHz SPAN	-1 %	_____	+1 %	±0.24 %
100 kHz SPAN	-1 %	_____	+1 %	±0.24 %
200 kHz SPAN	-1 %	_____	+1 %	±0.24 %
500 kHz SPAN	-1 %	_____	+1 %	±0.24 %
1 MHz SPAN	-1 %	_____	+1 %	±0.24 %
2 MHz SPAN	-1 %	_____	+1 %	±0.24 %
5 MHz SPAN	-5 %	_____	+5 %	±0.24 %
10 MHz SPAN	-5 %	_____	+5 %	±0.24 %
20 MHz SPAN	-5 %	_____	+5 %	±0.24 %
50 MHz SPAN	-5 %	_____	+5 %	±0.24 %
100 MHz SPAN	-5 %	_____	+5 %	±0.24 %
200 MHz SPAN	-5 %	_____	+5 %	±0.24 %
500 MHz SPAN	-5 %	_____	+5 %	±0.24 %
45. Third Order Intermodulation Distortion				
TOI Distortion, 45 MHz		_____	-82 dBc	+1.41/-1.43 dB
TOI Distortion, 5 GHz		_____	-90 dBc	+2.04/-2.12 dB
TOI Distortion, 8 GHz		_____	-75 dBc	+2.04/-2.12 dB
49. Gain Compression				
Gain Compression, 2 GHz		_____	1 dB	±0.19 dB
Gain Compression, 4 GHz		_____	1 dB	±0.22 dB
Gain Compression, 7 GHz		_____	1 dB	±0.22 dB

**Table 13-18 Performance Test Record (18 of 20)**

Agilent Technologies	
Select model: 8562E ___ 8562EC ___	Report No. _____
Serial No. _____	Date _____

Test Description	Results			Measurement Uncertainty
	Minimum	Measured	Maximum	
52. 1ST LO OUTPUT Amplitude Maximum 1ST LO OUTPUT AMPLITUDE		_____	+18.5 dBm	±0.18 dB
Minimum 1ST LO OUTPUT AMPLITUDE	+14.5 dBm	_____		±0.18 dB
53. Sweep Time Accuracy				
50 μs SWEEP TIME <sup>†</sup>	42.5 μs	_____	57.5 μs	±750 ns
100 μs SWEEP TIME <sup>†</sup>	85.0 μs	_____	115 μs	±1.5 μs
200 μs SWEEP TIME <sup>†</sup>	170 μs	_____	230 μs	±3.0 μs
500 μs SWEEP TIME <sup>†</sup>	425 μs	_____	575 μs	±7.5 μs
1 ms SWEEP TIME <sup>†</sup>	850 μs	_____	1.15 ms	±15 μs
2 ms SWEEP TIME <sup>†</sup>	1.70 ms	_____	2.30 ms	±30 μs
5 ms SWEEP TIME <sup>†</sup>	4.25 ms	_____	5.75 ms	±75 μs
10 ms SWEEP TIME <sup>†</sup>	8.50 ms	_____	11.5 ms	±150 μs
20 ms SWEEP TIME <sup>†</sup>	17.0 ms	_____	23.0 ms	±300 μs
30 ms SWEEP TIME	29.7 ms	_____	30.3 ms	±209 ns
50 ms SWEEP TIME	49.5 ms	_____	50.5 ms	±281 ns
100 ms SWEEP TIME	99.0 ms	_____	101.0 ms	±461 ns
200 ms SWEEP TIME	198.0 ms	_____	202.0 ms	±821 ns
<sup>†</sup> These entries apply only to E-Series spectrum analyzers without Option 007.				

8562E/EC Performance Test Record  
**Test Record**

**Table 13-19 Performance Test Record (19 of 20)**

Agilent Technologies	
Select model: 8562E ____ 8562EC ____	Report No. _____
Serial No. _____	Date _____

Test Description	Results			Measurement Uncertainty
	Minimum	Measured	Maximum	
53. Sweep Time Accuracy (continued)				
500 ms SWEEP TIME	495.0 ms	_____	505.0 ms	±1.901 μs
1 s SWEEP TIME	990.0 ms	_____	1.010 s	±3.7 μs
2 s SWEEP TIME	1.980 s	_____	2.020 s	±7.3 μs
5 s SWEEP TIME	4.950 s	_____	5.050 s	±18.1 μs
10 s SWEEP TIME	9.900 s	_____	10.10 s	±36.1 μs
20 s SWEEP TIME	19.80 s	_____	20.20 s	±72.1 μs
50 s SWEEP TIME	49.50 s	_____	50.50 s	±180.1 μs
100 s SWEEP TIME	99.00 s	_____	101.0 s	±360.1 μs
56. Residual Responses				
200 kHz to 2.9 GHz		_____	-90 dBm	+1.24/-1.37 dB
2.9 GHz to 6.5 GHz		_____	-90 dBm	+1.24/-1.37 dB
57. IF INPUT Amplitude Accuracy (Non-Option 327 only)				
IF INPUT Amplitude	-31.5 dBm	_____	-28.5 dBm	+0.40/-0.44 dB
58. Gate Delay Accuracy and Gate Length Accuracy				
MIN Gate Delay	2.0000 μs	_____	4.0000 μs	±21 ns
MAX Gate Delay	2.0000 μs	_____	4.0000 μs	±21 ns
1 μs Gate Length	0.0000 ns	_____	2.0000 μs	±11 ns
65 ms Gate Length	64.999 ms	_____	65.001 ms	±752 ns

**Table 13-20 Performance Test Record (20 of 20)**

Agilent Technologies	
Select model: 8562E ___ 8562EC ___	Report No. _____
Serial No. _____	Date _____

Test Description	Results			Measurement Uncertainty
	Minimum	Measured	Maximum	
59. Delayed Sweep Accuracy				
1000 μs	999 μs	_____	1001 μs	±114 ns
2000 μs	1999 μs	_____	2001 μs	±124 ns
5000 μs	4999 μs	_____	5001 μs	±154 ns
10000 μs	9999 μs	_____	10001 μs	±204 ns
20000 μs	19999 μs	_____	20001 μs	±304 ns
50000 μs	49999 μs	_____	50001 μs	±604 ns
65000 μs	64999 μs	_____	65001 μs	±754 ns

8562E/EC Performance Test Record  
**Test Record**





## Test Record

**Table 14-1**      **8563E/EC Performance Test Record**

Agilent Technologies		Report No. _____
Address: _____		Date _____
_____		(e.g. 10 SEP 1989)
Select model: 8563E ___ 8563EC___		
Serial No. _____		Options _____
Firmware Revision _____		
Customer _____		Tested by _____
Ambient temperature _____ °C		Relative humidity _____ %
Power mains line frequency _____ Hz (nominal)		
<b>Test Equipment Used</b>		
<b>Description</b>	<b>Model No.</b>	<b>Trace No.</b>
<b>Cal Due Date</b>		
Synthesized Sweeper #1	_____	_____
Synthesized Sweeper #2	_____	_____
Synthesized Signal Generator	_____	_____
Synthesizer/Level Generator	_____	_____
Frequency Standard	_____	_____
Measuring Receiver	_____	_____
RF Power Sensor	_____	_____
Low-Power Power Sensor	_____	_____
Microwave Power Sensor	_____	_____
Pulse/Function Generator	_____	_____
Microwave Frequency Counter	_____	_____
Universal Frequency Counter	_____	_____
Oscilloscope	_____	_____
Amplifier	_____	_____
Power Splitter	_____	_____
1.8 GHz Low-Pass Filter	_____	_____
4.4 GHz Low-Pass Filter	_____	_____
50 MHz Low-Pass Filter	_____	_____
50 Ω Termination	_____	_____
20 dB Fixed Attenuator	_____	_____
10 dB Fixed Attenuator	_____	_____
1 dB Step Attenuator	_____	_____
10 dB Step Attenuator	_____	_____
DVM	_____	_____
Function Generator	_____	_____
Notes/Comments: _____		
_____		
_____		

**Table 14-2 Performance Test Record (1 of 23)**

Agilent Technologies	
Select model: 8563E ___ 8563EC___	Report No. _____
Serial No. _____	Date _____

Test Description	Results			Measurement Uncertainty
	Minimum	Measured	Maximum	
1. 10 MHz Reference Output Accuracy (Non-Option 103)				
5-minute Warm-up Error (0 °C to +55 °C)	$-1 \times 10^{-7}$	_____	$+1 \times 10^{-7}$	$\pm 2.004 \times 10^{-9}$
5-minute Warm-up Error (-10 °C to 0 °C)	$-1 \times 10^{-6}$	_____	$+1 \times 10^{-6}$	$\pm 2.004 \times 10^{-9}$
15-minute Warm-up Error	$-1 \times 10^{-8}$	_____	$+1 \times 10^{-8}$	$\pm 2.003 \times 10^{-9}$
2. 10 MHz Reference Output Accuracy (Option 103)				
Calibrator Frequency	299.9988 MHz	_____	300.0012 MHz	$\pm 55.75$ Hz
3. Fast Sweep Time Accuracy (EC-Series and E-Series with Option 007)	299.700 MHz	_____	300.300 MHz	$\pm 55.75$ Hz
4. Calibrator Amplitude Accy				
Calibrator Amplitude	-10.30 dBm	_____	+9.70 dB	$\pm 0.12$ dB
8. Displayed Average Noise Level				
Non-Option 103:				
30 Hz (Option 006)		_____	-90 dBm	+1.24/-1.37 dB
1 kHz (Option 006)		_____	-105 dBm	+1.24/-1.37 dB
10 kHz		_____	-120 dBm	+1.24/-1.37 dB
100 kHz		_____	-120 dBm	+1.24/-1.37 dB
1 MHz to 10 MHz		_____	-140 dBm	+1.24/-1.37 dB
10 MHz to 2.9 GHz				
serial prefix <3246A		_____	-145 dBm	+1.24/-1.37 dB
serial prefix 3246A to <3645A		_____	-144 dBm	+1.24/-1.37 dB
serial prefix $\geq 3645A$		_____	-149 dBm	+1.24/-1.37 dB
Option H13		_____	-149 dBm	+1.24/-1.37 dB

**Table 14-3 Performance Test Record (2 of 23)**

Agilent Technologies	
Select model: 8563E ___ 8563EC ___	Report No. _____
Serial No. _____	Date _____

Test Description	Results			Measurement Uncertainty
	Minimum	Measured	Maximum	
8. DANL (continued)				
Non-Option 103: (cont'd)				
2.9 GHz to 6.46 GHz		_____	-148 dBm	+1.24/-1.37 dB
6.46 GHz to 13.2 GHz		_____	-145 dBm	+1.24/-1.37 dB
13.2 GHz to 22.0 GHz		_____	-140 dBm	+1.24/-1.37 dB
22.0 GHz to 26.5 GHz		_____	-139 dBm	+1.24/-1.37 dB
Option 103:				
30 Hz (Option 006)		_____	-80 dBm	+1.24/-1.37 dB
1 kHz (Option 006)		_____	-95 dBm	+1.24/-1.37 dB
10 kHz		_____	-110 dBm	+1.24/-1.37 dB
100 kHz		_____	-110 dBm	+1.24/-1.37 dB
1 MHz to 10 MHz		_____	-130 dBm	+1.24/-1.37 dB
10 MHz to 2.9 GHz				
serial prefix <3246A		_____	-135 dBm	+1.24/-1.37 dB
serial prefix 3246A to <3645A		_____	-134 dBm	+1.24/-1.37 dB
serial prefix ≥3645A		_____	-139 dBm	+1.24/-1.37 dB
Option H13				
2.9 GHz to 6.46 GHz		_____	-138 dBm	+1.24/-1.37 dB
6.46 GHz to 13.2 GHz		_____	-135 dBm	+1.24/-1.37 dB
13.2 GHz to 22.0 GHz		_____	-130 dBm	+1.24/-1.37 dB
22.0 GHz to 26.5 GHz		_____	-129 dBm	+1.24/-1.37 dB
11. Resolution Bandwidth Switching and IF Alignment Uncertainty				
2 MHz RES BW	-0.5 dB	_____	+0.5 dB	±0.10 dB
1 MHz RES BW	-0.5 dB	_____	+0.5 dB	±0.10 dB
100 kHz RES BW	-0.5 dB	_____	+0.5 dB	±0.10 dB
30 kHz RES BW	-0.5 dB	_____	+0.5 dB	±0.10 dB

**Table 14-4 Performance Test Record (4 of 23)**

Agilent Technologies	
Select model: 8563E ___ 8563EC___	Report No. _____
Serial No. _____	Date _____

Test Description	Results			Measurement Uncertainty
	Minimum	Measured	Maximum	
11. Resolution Bandwidth Switching and IF Alignment Uncertainty (continued)				
10 kHz RES BW	-0.5 dB	_____	+0.5 dB	±0.10 dB
3 kHz RES BW	-0.5 dB	_____	+0.5 dB	±0.10 dB
1 kHz RES BW	-0.5 dB	_____	+0.5 dB	±0.10 dB
300 Hz RES BW	-1.0 dB	_____	+1.0 dB	±0.10 dB
100 Hz RES BW	-0.5 dB	_____	+0.5 dB	±0.10 dB
30 Hz RES BW	-0.5 dB	_____	+0.5 dB	±0.10 dB
10 Hz RES BW	-0.5 dB	_____	+0.5 dB	±0.10 dB
3 Hz RES BW*	-0.5 dB	_____	+0.5 dB	±0.10 dB
1 Hz RES BW*	-0.5 dB	_____	+0.5 dB	±0.10 dB
12. Resolution Bandwidth Accuracy and Selectivity				
3 dB Bandwidth Accuracy				
2 MHz RES BW	-25%	_____	+50%	±1.33%
1 MHz RES BW	-25%	_____	+25%	±1.33%
300 kHz RES BW	-10%	_____	+10%	±1.33%
100 kHz RES BW	-10%	_____	+10%	±1.33%
30 kHz RES BW	-10%	_____	+10%	±1.33%
10 kHz RES BW	-10%	_____	+10%	±1.33%
3 kHz RES BW	-10%	_____	+10%	±1.33%
1 kHz RES BW	-10%	_____	+10%	±1.33%
300 Hz RES BW	-10%	_____	+10%	±1.33%
Selectivity				
2 MHz RES BW		_____	15:1	±2.8%
1 MHz RES BW		_____	15:1	±2.8%
300 kHz RES BW		_____	15:1	±2.8%
* 3 Hz and 1 Hz RES BW not available with Option 103.				

**Table 14-5 Performance Test Record (5 of 23)**

Agilent Technologies	
Select model: 8563E ___ 8563EC ___	Report No. _____
Serial No. _____	Date _____

Test Description	Results			Measurement Uncertainty
	Minimum	Measured	Maximum	
12. Resolution Bandwidth Accuracy and Selectivity (continued)				
Selectivity (cont'd)				
100 kHz RES BW		_____	15:1	±2.8%
30 kHz RES BW		_____	15:1	±2.8%
10 kHz RES BW		_____	15:1	±2.8%
3 kHz RES BW		_____	15:1	±2.8%
1 kHz RES BW		_____	15:1	±2.8%
300 Hz RES BW		_____	15:1	±2.8%
13. Input Attenuator Switching Uncertainty				
Cumulative, 50 MHz				
20 dB ATTEN	-0.6 dB	_____	+0.6 dB	±0.12 dB
30 dB ATTEN	-1.2 dB	_____	+1.2 dB	±0.12 dB
40 dB ATTEN	-1.8 dB	_____	+1.8 dB	±0.12 dB
50 dB ATTEN	-1.8 dB	_____	+1.8 dB	±0.14 dB
60 dB ATTEN	-1.8 dB	_____	+1.8 dB	±0.14 dB
70 dB ATTEN	-1.8 dB	_____	+1.8 dB	±0.14 dB
Incremental, 50 MHz				
20 dB ATTEN	-0.6 dB	_____	+0.6 dB	±0.12 dB
30 dB ATTEN	-0.6 dB	_____	+0.6 dB	±0.12 dB
40 dB ATTEN	-0.6 dB	_____	+0.6 dB	±0.12 dB
50 dB ATTEN	-0.6 dB	_____	+0.6 dB	±0.14 dB
60 dB ATTEN	-0.6 dB	_____	+0.6 dB	±0.14 dB
70 dB ATTEN	-0.6 dB	_____	+0.6 dB	±0.14 dB
Cumulative, 2.9 GHz				
20 dB ATTEN	-0.6 dB	_____	+0.6 dB	±0.23 dB
30 dB ATTEN	-1.2 dB	_____	+1.2 dB	±0.23 dB

**Table 14-6 Performance Test Record (6 of 23)**

Agilent Technologies	
Select model: 8563E ___ 8563EC___	Report No. _____
Serial No. _____	Date _____

Test Description	Results			Measurement Uncertainty
	Minimum	Measured	Maximum	
13. Input Attenuator Switching Uncertainty (continued)				
Cumulative, 2.9 GHz (cont'd)				
40 dB ATTEN	-1.8 dB	_____	+1.8 dB	±0.23 dB
50 dB ATTEN	-1.8 dB	_____	+1.8 dB	±0.23 dB
60 dB ATTEN	-1.8 dB	_____	+1.8 dB	+0.24/-0.25 dB
70 dB ATTEN	-1.8 dB	_____	+1.8 dB	+0.24/-0.25 dB
Incremental, 2.9 GHz				
20 dB ATTEN	-0.6 dB	_____	+0.6 dB	±0.23 dB
30 dB ATTEN	-0.6 dB	_____	+0.6 dB	±0.23 dB
40 dB ATTEN	-0.6 dB	_____	+0.6 dB	±0.23 dB
50 dB ATTEN	-0.6 dB	_____	+0.6 dB	±0.23 dB
60 dB ATTEN	-0.6 dB	_____	+0.6 dB	+0.24/-0.25 dB
70 dB ATTEN	-0.6 dB	_____	+0.6 dB	+0.24/-0.25 dB
15. IF Gain Uncertainty				
LOG, 10 dB steps				
-10 dBm REF LVL	-1.0 dB	_____	+1.0 dB	±0.11 dB
-20 dBm REF LVL	-1.0 dB	_____	+1.0 dB	±0.11 dB
-30 dBm REF LVL	-1.0 dB	_____	+1.0 dB	±0.11 dB
-40 dBm REF LVL	-1.0 dB	_____	+1.0 dB	±0.11 dB
-50 dBm REF LVL	-1.0 dB	_____	+1.0 dB	±0.11 dB
-60 dBm REF LVL	-1.0 dB	_____	+1.0 dB	±0.12 dB
-70 dBm REF LVL	-1.0 dB	_____	+1.0 dB	±0.12 dB
-80 dBm REF LVL	-1.0 dB	_____	+1.0 dB	±0.12 dB
LOG, 1 dB steps				
-1 dBm REF LVL	-1.0 dB	_____	+1.0 dB	±0.11 dB
-2 dBm REF LVL	-1.0 dB	_____	+1.0 dB	±0.11 dB
-3 dBm REF LVL	-1.0 dB	_____	+1.0 dB	±0.11 dB

**Table 14-7 Performance Test Record (7 of 23)**

Agilent Technologies	
Select model: 8563E ___ 8563EC ___	Report No. _____
Serial No. _____	Date _____

Test Description	Results			Measurement Uncertainty
	Minimum	Measured	Maximum	
15. IF Gain Uncertainty (continued)				
LOG, 1 dB steps (cont'd)				
-4 dBm REF LVL	-1.0 dB	_____	+1.0 dB	±0.11 dB
-5 dBm REF LVL	-1.0 dB	_____	+1.0 dB	±0.11 dB
-6 dBm REF LVL	-1.0 dB	_____	+1.0 dB	±0.11 dB
-7 dBm REF LVL	-1.0 dB	_____	+1.0 dB	±0.11 dB
-8 dBm REF LVL	-1.0 dB	_____	+1.0 dB	±0.11 dB
-9 dBm REF LVL	-1.0 dB	_____	+1.0 dB	±0.11 dB
-10 dBm REF LVL	-1.0 dB	_____	+1.0 dB	±0.11 dB
-11 dBm REF LVL	-1.0 dB	_____	+1.0 dB	±0.11 dB
-12 dBm REF LVL	-1.0 dB	_____	+1.0 dB	±0.11 dB
LINEAR, 10 dB steps				
-10 dBm REF LVL	-1.0 dB	_____	+1.0 dB	±0.11 dB
-20 dBm REF LVL	-1.0 dB	_____	+1.0 dB	±0.11 dB
-30 dBm REF LVL	-1.0 dB	_____	+1.0 dB	±0.11 dB
-40 dBm REF LVL	-1.0 dB	_____	+1.0 dB	±0.11 dB
LINEAR, 10 dB steps (cont'd)				
-50 dBm REF LVL	-1.0 dB	_____	+1.0 dB	±0.11 dB
-60 dBm REF LVL	-1.0 dB	_____	+1.0 dB	±0.12 dB
-70 dBm REF LVL	-1.0 dB	_____	+1.0 dB	±0.12 dB
-80 dBm REF LVL	-1.0 dB	_____	+1.0 dB	±0.12 dB
16. Scale Fidelity				
Cumulative, 10 dB/Div, RES BW ≥300 Hz				
-6 dB from REF LVL	-0.60 dB	_____	+0.60 dB	±0.24 dB
-12 dB from REF LVL	-0.85 dB	_____	+0.85 dB	±0.24 dB
-18 dB from REF LVL	-0.85 dB	_____	+0.85 dB	±0.24 dB



**Table 14-8 Performance Test Record (8 of 23)**

Agilent Technologies	
Select model: 8563E ___ 8563EC___	Report No. _____
Serial No. _____	Date _____

Test Description	Results			Measurement Uncertainty
	Minimum	Measured	Maximum	
16. Scale Fidelity (continued)				
Cumulative, 10 dB/Div, (cont'd)				
RES BW ≥300 Hz (cont'd)				
-24 dB from REF LVL	-0.85 dB	_____	+0.85 dB	±0.24 dB
-30 dB from REF LVL	-0.85 dB	_____	+0.85 dB	±0.24 dB
-36 dB from REF LVL	-0.85 dB	_____	+0.85 dB	±0.24 dB
-42 dB from REF LVL	-0.85 dB	_____	+0.85 dB	±0.24 dB
-48 dB from REF LVL	-0.85 dB	_____	+0.85 dB	±0.24 dB
-54 dB from REF LVL	-0.85 dB	_____	+0.85 dB	±0.24 dB
-60 dB from REF LVL	-0.85 dB	_____	+0.85 dB	+0.25/-0.26 dB
-66 dB from REF LVL	-0.85 dB	_____	+0.85 dB	+0.25/-0.26 dB
-72 dB from REF LVL	-0.85 dB	_____	+0.85 dB	+0.25/-0.26 dB
-78 dB from REF LVL	-0.85 dB	_____	+0.85 dB	+0.25/-0.26 dB
-84 dB from REF LVL	-0.85 dB	_____	+0.85 dB	+0.25/-0.26 dB
-90 dB from REF LVL	-0.85 dB	_____	+0.85 dB	+0.25/-0.26 dB
Incremental, 10 dB/Div,				
RES BW ≥300 Hz				
-12 dB from REF LVL	-0.10 dB	_____	+0.10 dB	±0.04 dB
-18 dB from REF LVL	-0.10 dB	_____	+0.10 dB	±0.04 dB
-24 dB from REF LVL	-0.10 dB	_____	+0.10 dB	±0.04 dB
-30 dB from REF LVL	-0.10 dB	_____	+0.10 dB	±0.04 dB
-36 dB from REF LVL	-0.10 dB	_____	+0.10 dB	±0.04 dB
-42 dB from REF LVL	-0.10 dB	_____	+0.10 dB	±0.04 dB
-48 dB from REF LVL	-0.10 dB	_____	+0.10 dB	±0.04 dB
-54 dB from REF LVL	-0.10 dB	_____	+0.10 dB	±0.04 dB
-60 dB from REF LVL	-0.10 dB	_____	+0.10 dB	±0.04 dB
-66 dB from REF LVL	-0.10 dB	_____	+0.10 dB	±0.04 dB
-72 dB from REF LVL	-0.10 dB	_____	+0.10 dB	±0.05 dB

8563E/EC Performance Test Record  
**Test Record**

**Table 14-9 Performance Test Record (9 of 23)**

Agilent Technologies	
Select model: 8563E ___ 8563EC ___	Report No. _____
Serial No. _____	Date _____

Test Description	Results			Measurement Uncertainty
	Minimum	Measured	Maximum	
16. Scale Fidelity (continued)				
Incremental, 10 dB/Div,				
RES BW ≥300 Hz (cont'd)				
-78 dB from REF LVL	-0.10 dB	_____	+0.10 dB	±0.05 dB
-84 dB from REF LVL	-0.10 dB	_____	+0.10 dB	±0.05 dB
-90 dB from REF LVL	-0.10 dB	_____	+0.10 dB	±0.05 dB
Cumulative, 10 dB/Div,				
RES BW ≤100 Hz				
-6 dB from REF LVL	-0.60 dB	_____	+0.60 dB	±0.24 dB
-12 dB from REF LVL	-0.85 dB	_____	+0.85 dB	±0.24 dB
-18 dB from REF LVL	-0.85 dB	_____	+0.85 dB	±0.24 dB
-24 dB from REF LVL	-0.85 dB	_____	+0.85 dB	±0.24 dB
-30 dB from REF LVL	-0.85 dB	_____	+0.85 dB	±0.24 dB
-36 dB from REF LVL	-0.85 dB	_____	+0.85 dB	±0.24 dB
-42 dB from REF LVL	-0.85 dB	_____	+0.85 dB	±0.24 dB
-48 dB from REF LVL	-0.85 dB	_____	+0.85 dB	±0.24 dB
-54 dB from REF LVL	-0.85 dB	_____	+0.85 dB	±0.24 dB
-60 dB from REF LVL	-0.85 dB	_____	+0.85 dB	+0.25/-0.26 dB
-66 dB from REF LVL	-0.85 dB	_____	+0.85 dB	+0.25/-0.26 dB
-72 dB from REF LVL	-0.85 dB	_____	+0.85 dB	+0.25/-0.26 dB
-78 dB from REF LVL	-0.85 dB	_____	+0.85 dB	+0.25/-0.26 dB
-84 dB from REF LVL	-0.85 dB	_____	+0.85 dB	+0.25/-0.26 dB
-90 dB from REF LVL	-0.85 dB	_____	+0.85 dB	+0.25/-0.26 dB
-94 dB from REF LVL	-1.50 dB	_____	+1.50 dB	+0.25/-0.26 dB
-98 dB from REF LVL	-1.50 dB	_____	+1.50 dB	+0.25/-0.26 dB

**Table 14-10 Performance Test Record (10 of 23)**

Agilent Technologies	
Select model: 8563E ___ 8563EC___	Report No. _____
Serial No. _____	Date _____

Test Description	Results			Measurement Uncertainty
	Minimum	Measured	Maximum	
16. Scale Fidelity (continued)				
Incremental, 10 dB/Div,				
RES BW ≤100 Hz				
-12 dB from REF LVL	-0.20 dB	_____	+0.20 dB	±0.04 dB
-18 dB from REF LVL	-0.20 dB	_____	+0.20 dB	±0.04 dB
-24 dB from REF LVL	-0.20 dB	_____	+0.20 dB	±0.04 dB
-30 dB from REF LVL	-0.20 dB	_____	+0.20 dB	±0.04 dB
-36 dB from REF LVL	-0.20 dB	_____	+0.20 dB	±0.04 dB
-42 dB from REF LVL	-0.20 dB	_____	+0.20 dB	±0.04 dB
-48 dB from REF LVL	-0.20 dB	_____	+0.20 dB	±0.04 dB
-54 dB from REF LVL	-0.20 dB	_____	+0.20 dB	±0.04 dB
-60 dB from REF LVL	-0.20 dB	_____	+0.20 dB	±0.04 dB
-66 dB from REF LVL	-0.20 dB	_____	+0.20 dB	±0.04 dB
-72 dB from REF LVL	-0.20 dB	_____	+0.20 dB	±0.05 dB
-78 dB from REF LVL	-0.20 dB	_____	+0.20 dB	±0.05 dB
-84 dB from REF LVL	-0.20 dB	_____	+0.20 dB	±0.05 dB
-90 dB from REF LVL	-0.20 dB	_____	+0.20 dB	±0.05 dB
Cumulative, 2 dB/Div				
-2 dB from REF LVL	-0.20 dB	_____	+0.20 dB	±0.053 dB
-4 dB from REF LVL	-0.40 dB	_____	+0.40 dB	±0.053 dB
-6 dB from REF LVL	-0.60 dB	_____	+0.60 dB	±0.053 dB
-8 dB from REF LVL	-0.80 dB	_____	+0.80 dB	±0.053 dB
-10 dB from REF LVL	-0.85 dB	_____	+0.85 dB	±0.053 dB
-12 dB from REF LVL	-0.85 dB	_____	+0.85 dB	±0.053 dB
-14 dB from REF LVL	-0.85 dB	_____	+0.85 dB	±0.053 dB
-16 dB from REF LVL	-0.85 dB	_____	+0.85 dB	±0.053 dB
-18 dB from REF LVL	-0.85 dB	_____	+0.85 dB	±0.053 dB

8563E/EC Performance Test Record  
**Test Record**

**Table 14-11 Performance Test Record (11 of 23)**

Agilent Technologies	
Select model: 8563E ___ 8563EC ___	Report No. _____
Serial No. _____	Date _____

Test Description	Results			Measurement Uncertainty
	Minimum	Measured	Maximum	
16. Scale Fidelity (continued)				
Incremental, 2 dB/Div				
-2 dB from REF LVL	-0.10 dB	_____	+0.10 dB	±0.04 dB
-4 dB from REF LVL	-0.10 dB	_____	+0.10 dB	±0.04 dB
-6 dB from REF LVL	-0.10 dB	_____	+0.10 dB	±0.04 dB
-8 dB from REF LVL	-0.10 dB	_____	+0.10 dB	±0.04 dB
-10 dB from REF LVL	-0.10 dB	_____	+0.10 dB	±0.04 dB
-12 dB from REF LVL	-0.10 dB	_____	+0.10 dB	±0.04 dB
-14 dB from REF LVL	-0.10 dB	_____	+0.10 dB	±0.04 dB
-16 dB from REF LVL	-0.10 dB	_____	+0.10 dB	±0.04 dB
-18 dB from REF LVL	-0.10 dB	_____	+0.10 dB	±0.04 dB
Linear				
-2 dB from REF LVL	-2.33 dB	_____	-1.68 dB	±0.04 dB
-4 dB from REF LVL	-4.42 dB	_____	-3.60 dB	±0.04 dB
-6 dB from REF LVL	-6.54 dB	_____	-5.50 dB	±0.04 dB
-8 dB from REF LVL	-8.68 dB	_____	-7.37 dB	±0.04 dB
-10 dB from REF LVL	-10.87 dB	_____	-9.21 dB	±0.04 dB
-12 dB from REF LVL	-13.10 dB	_____	-11.02 dB	±0.04 dB
-14 dB from REF LVL	-15.42 dB	_____	-12.78 dB	±0.04 dB
-16 dB from REF LVL	-17.82 dB	_____	-14.49 dB	±0.04 dB
-18 dB from REF LVL	-20.36 dB	_____	-16.14 dB	±0.04 dB
17. Residual FM				
Non-Option 103		_____	1 Hz	±0.2 Hz
Option 103		_____	10 Hz	±0.8 Hz

**Table 14-12 Performance Test Record (12 of 23)**

Agilent Technologies	
Select model: 8563E ___ 8563EC___	Report No. _____
Serial No. _____	Date _____

Test Description	Results			Measurement Uncertainty
	Minimum	Measured	Maximum	
19. Noise Sidebands				
Non-Option 103				
+100 Hz offset (serial prefix <3436A)		_____	-80 dBc/Hz	+1.22/-1.34 dB
+100 Hz offset (serial prefix ≥3436A)		_____	-88 dBc/Hz	+1.22/-1.34 dB
-100 Hz offset (serial prefix <3436A)		_____	-80 dBc/Hz	+1.22/-1.34 dB
-100 Hz offset (serial prefix ≥3436A)		_____	-88 dBc/Hz	+1.22/-1.34 dB
+1 kHz offset		_____	-97 dBc/Hz	+1.22/-1.34 dB
-1 kHz offset		_____	-97 dBc/Hz	+1.22/-1.34 dB
+10 kHz offset		_____	-113 dBc/Hz	+1.22/-1.34 dB
-10 kHz offset		_____	-113 dBc/Hz	+1.22/-1.34 dB
+30 kHz offset		_____	-113 dBc/Hz	+1.22/-1.34 dB
-30 kHz offset		_____	-113 dBc/Hz	+1.22/-1.34 dB
+100 kHz offset (serial prefix <3436A)		_____	-113 dBc/Hz	+1.22/-1.34 dB
+100 kHz offset (serial prefix ≥3436A)		_____	-117 dBc/Hz	+1.22/-1.34 dB
-100 kHz offset (serial prefix <3436A)		_____	-113 dBc/Hz	+1.22/-1.34 dB
-100 kHz offset (serial prefix ≥3436A)		_____	-117 dBc/Hz	+1.22/-1.34 dB
Option 103				
+100 Hz offset		_____	-70 dBc/Hz	+1.22/-1.34 dB
-100 Hz offset		_____	-70 dBc/Hz	+1.22/-1.34 dB
+1 kHz offset		_____	-90 dBc/Hz	+1.22/-1.34 dB
-1 kHz offset		_____	-90 dBc/Hz	+1.22/-1.34 dB
+10 kHz offset		_____	-113 dBc/Hz	+1.22/-1.34 dB
-10 kHz offset		_____	-113 dBc/Hz	+1.22/-1.34 dB

8563E/EC Performance Test Record  
**Test Record**

**Table 14-13 Performance Test Record (13 of 23)**

Agilent Technologies	
Select model: 8563E ___ 8563EC ___	Report No. _____
Serial No. _____	Date _____

Test Description	Results			Measurement Uncertainty
	Minimum	Measured	Maximum	
19. Noise Sidebands (continued)				
Option 103 (cont'd)				
+30 kHz offset		_____	-113 dBc/Hz	+1.22/-1.34 dB
-30 kHz offset		_____	-113 dBc/Hz	+1.22/-1.34 dB
+100 kHz offset (serial prefix <3436A)		_____	-113 dBc/Hz	+1.22/-1.34 dB
+100 kHz offset (serial prefix ≥3436A)		_____	-117 dBc/Hz	+1.22/-1.34 dB
-100 kHz offset (serial prefix <3436A)		_____	-113 dBc/Hz	+1.22/-1.34 dB
-100 kHz offset (serial prefix ≥3436A)		_____	-117 dBc/Hz	+1.22/-1.34 dB
23. Image, Multiple, and Out-of-Range Responses				
2 GHz CENTER FREQ				
2021.4 MHz		_____	-80 dBc	+0.8/-1.0 dB
2621.4 MHz		_____	-80 dBc	+0.8/-1.0 dB
2321.4 MHz		_____	-80 dBc	+0.8/-1.0 dB
2600.0 MHz		_____	-80 dBc	+0.8/-1.0 dB
7910.7 MHz		_____	-80 dBc	+0.8/-1.0 dB
9821.4 MHz		_____	-80 dBc	+0.8/-1.0 dB
4 GHz CENTER FREQ				
4021.4 MHz		_____	-80 dBc	+0.8/-1.0 dB
4621.4 MHz		_____	-80 dBc	+0.8/-1.0 dB
4321.4 MHz		_____	-80 dBc	+0.8/-1.0 dB
4600.0 MHz		_____	-80 dBc	+0.8/-1.0 dB
8310.7 MHz		_____	-80 dBc	+0.8/-1.0 dB
8932.1 MHz		_____	-80 dBc	+0.8/-1.0 dB

**Table 14-14 Performance Test Record (14 of 23)**

Agilent Technologies	
Select model: 8563E ___ 8563EC___	Report No. _____
Serial No. _____	Date _____

Test Description	Results			Measurement Uncertainty
	Minimum	Measured	Maximum	
23. Image, Multiple, and Out-of-Range Responses (continued)				
9 GHz CENTER FREQ				
9021.4 MHz		_____	-80 dBc	+0.8/-1.0 dB
9621.4 MHz		_____	-80 dBc	+0.8/-1.0 dB
9321.4 MHz		_____	-80 dBc	+0.8/-1.0 dB
9600.0 MHz		_____	-80 dBc	+0.8/-1.0 dB
18310.7 MHz		_____	-80 dBc	+0.8/-1.0 dB
18932.1 MHz		_____	-80 dBc	+0.8/-1.0 dB
15 GHz CENTER FREQ				
15021.400 MHz		_____	-80 dBc	+0.9/-1.1 dB
15621.400 MHz		_____	-80 dBc	+0.9/-1.1 dB
22655.350 MHz		_____	-80 dBc	+0.9/-1.1 dB
23276.750 MHz		_____	-80 dBc	+0.9/-1.1 dB
7344.650 MHz		_____	-80 dBc	+0.9/-1.1 dB
7966.050 MHz		_____	-80 dBc	+0.9/-1.1 dB
20 GHz CENTER FREQ				
20021.400 MHz		_____	-80 dBc	+0.9/-1.1 dB
20621.400 MHz		_____	-80 dBc	+0.9/-1.1 dB
15543.725 MHz		_____	-80 dBc	+0.9/-1.1 dB
25699.075 MHz		_____	-80 dBc	+0.9/-1.1 dB
9844.650 MHz		_____	-80 dBc	+0.9/-1.1 dB
10466.050 MHz		_____	-80 dBc	+0.9/-1.1 dB

**Table 14-15 Performance Test Record (15 of 23)**

Agilent Technologies	
Select model: 8563E ___ 8563EC ___	Report No. _____
Serial No. _____	Date _____

Test Description	Results			Measurement Uncertainty
	Minimum	Measured	Maximum	
29. Frequency Readout Accuracy and Frequency Count Marker Accuracy				
Frequency Readout Accuracy:				
1.5 GHz CENTER FREQ				
1 MHz SPAN	1.499988GHz	_____	1.500012GHz	±1 Hz
10 MHz SPAN	1.49948 GHz	_____	1.50052 GHz	±1 Hz
20 MHz SPAN	1.49895 GHz	_____	1.50105 GHz	±1 Hz
50 MHz SPAN	1.49745 GHz	_____	1.50255 GHz	±1 Hz
100 MHz SPAN	1.4948 GHz	_____	1.5052 GHz	±1 Hz
1 GHz SPAN	1.450 GHz	_____	1.550 GHz	±1 Hz
4.0 GHz CENTER FREQ				
1 MHz SPAN	3.999988GHz	_____	4.000012GHz	±1 Hz
10 MHz SPAN	3.99948 GHz	_____	4.00052 GHz	±1 Hz
20 MHz SPAN	3.99895 GHz	_____	4.00105 GHz	±1 Hz
50 MHz SPAN	3.99745 GHz	_____	4.00255 GHz	±1 Hz
100 MHz SPAN	3.9948 GHz	_____	4.0052 GHz	±1 Hz
1 GHz SPAN	3.950 GHz	_____	4.050 GHz	±1 Hz
9.0 GHz CENTER FREQ				
1 MHz SPAN	8.999988GHz	_____	9.000012GHz	±2 Hz
10 MHz SPAN	8.99948 GHz	_____	9.00052 GHz	±2 Hz
20 MHz SPAN	8.99895 GHz	_____	9.00105 GHz	±2 Hz
50 MHz SPAN	8.99745 GHz	_____	9.00255 GHz	±2 Hz
100 MHz SPAN	8.9948 GHz	_____	9.0052 GHz	±2 Hz
1 GHz SPAN	8.950 GHz	_____	9.050 GHz	±2 Hz
16.0 GHz CENTER FREQ				
1 MHz SPAN	15.999988GHz	_____	16.000012GHz	±3 Hz
10 MHz SPAN	15.99948 GHz	_____	16.00052 GHz	±3 Hz



**Table 14-16 Performance Test Record (16 of 23)**

Agilent Technologies	
Select model: 8563E ___ 8563EC___	Report No. _____
Serial No. _____	Date _____

Test Description	Results			Measurement Uncertainty
	Minimum	Measured	Maximum	
29. Frequency Readout Accuracy and Frequency Count Marker Accuracy (continued)				
Frequency Readout Accuracy: (cont'd)				
16.0 GHz CENTER FREQ (cont'd)				
20 MHz SPAN	15.99895 GHz	_____	16.00105 GHz	±3 Hz
50 MHz SPAN	15.99745 GHz	_____	16.00255 GHz	±3 Hz
100 MHz SPAN	15.9948 GHz	_____	16.0052 GHz	±3 Hz
1 GHz SPAN	15.950 GHz	_____	16.050 GHz	±3 Hz
21.0 GHz CENTER FREQ				
1 MHz SPAN	20.999988GHz	_____	21.000012GHz	±4 Hz
10 MHz SPAN	20.99948 GHz	_____	21.00052 GHz	±4 Hz
20 MHz SPAN	20.99895 GHz	_____	21.00105 GHz	±4 Hz
50 MHz SPAN	20.99745 GHz	_____	21.00255 GHz	±4 Hz
100 MHz SPAN	20.9948 GHz	_____	21.0052 GHz	±4 Hz
1 GHz SPAN	20.950 GHz	_____	21.050 GHz	±4 Hz
Frequency Count Marker Accuracy:				
1.5 GHz CENTER FREQ	1.49999997 GHz	_____	1.50000003 GHz	±1 Hz
4.0 GHz CENTER FREQ	3.99999997 GHz	_____	4.00000003 GHz	±1 Hz
9.0 GHz CENTER FREQ	8.99999995 GHz	_____	9.00000005 GHz	±2 Hz
16.0 GHz CENTER FREQ	15.99999991 GHz	_____	16.00000009 GHz	±3 Hz
21.0 GHz CENTER FREQ	20.99999991 GHz	_____	21.00000009 GHz	±4 Hz

8563E/EC Performance Test Record  
**Test Record**

**Table 14-17 Performance Test Record (17 of 23)**

Agilent Technologies	
Select model: 8563E ___ 8563EC ___	Report No. _____
Serial No. _____	Date _____

Test Description	Results			Measurement Uncertainty
	Minimum	Measured	Maximum	
32. Pulse Digitization Uncertainty LOG 5dB/Div 1 MHz RES BW 2 MHz RES BW LINEAR 1 MHz RES BW 2 MHz RES BW		_____ _____ _____ _____	1.25 dB 3.0 dB 4% 12%	$\pm 0.15$ dB $+0.43/-0.44$ dB $\pm 0.31\%$ $\pm 0.65\%$
35. Second Harmonic Distortion (SHD) SHD (< 1.45 GHz) Serial Prefix <3645A Serial Prefix $\geq 3645A$ Option H13 SHD (1.5 GHz) SHD (> 2.0 GHz)		_____ _____ _____ _____ _____	-72 dBc -79 dBc -79 dBc -85 dBc -100 dBc	$+1.87/-2.28$ dB $+1.87/-2.28$ dB $+1.87/-2.28$ dB $+2.32/-2.66$ dB $+2.32/-2.66$ dB
39. Frequency Response Band 0, dc coupled Maximum Positive Response Maximum Negative Response Peak-to-Peak Response Band 1 Maximum Positive Response Maximum Negative Response Peak-to-Peak Response	   -1.8 dB   -2.4 dB	_____ _____ _____ _____ _____ _____	+1.8 dB  2.5 dB  +2.4 dB  3.0 dB	   $+0.32/-0.34$ dB $+0.32/-0.34$ dB $+0.32/-0.34$ dB  $+0.44/-0.49$ dB $+0.44/-0.49$ dB $+0.44/-0.49$ dB

**Table 14-18 Performance Test Record (18 of 23)**

Agilent Technologies	
Select model: 8563E ___ 8563EC___	Report No. _____
Serial No. _____	Date _____

Test Description	Results			Measurement Uncertainty
	Minimum	Measured	Maximum	
39. Frequency Response (continued)				
Band 2				
Maximum Positive Response		_____	+2.9 dB	+0.45/–0.50 dB
Maximum Negative Response	–2.9 dB	_____		+0.45/–0.50 dB
Peak-to-Peak Response		_____	4.4 dB	+0.45/–0.50 dB
Band 3, < 22 GHz				
Maximum Positive Response		_____	+4.0 dB	+0.51/–0.58 dB
Maximum Negative Response	–4.0 dB	_____		+0.51/–0.58 dB
Peak-to-Peak Response		_____	5.0 dB	+0.51/–0.58 dB
Band 3, > 22 GHz				
Maximum Positive Response		_____	+4.0 dB	+0.51/–0.58 dB
Maximum Negative Response	–4.0 dB	_____		+0.51/–0.58 dB
Peak-to-Peak Response		_____	6.6 dB	+0.51/–0.58 dB
Band 0, 100 MHz to 2.0 GHz (serial prefix ≥3645A)				
Peak-to-Peak Response		_____	2.0 dB	+0.32/–0.34 dB
Band Switching Uncertainty:				
Band 0 to Band 1		_____	3.75 dB	+0.76/–0.83 dB
Band 0 to Band 2		_____	4.45 dB	+0.77/–0.84 dB
Band 0 to Band 3,<22GHz		_____	4.75 dB	+0.84/–0.92 dB
Band 0 to Band 3,>22GHz		_____	5.55 dB	+0.84/–0.92 dB
Band 1 to Band 2		_____	4.7 dB	+0.89/–0.99 dB
Band 1 to Band 3,<22GHz		_____	5.0 dB	+0.95/–1.07dB

**Table 14-19 Performance Test Record (19 of 23)**

Agilent Technologies	
Select model: 8563E ___ 8563EC ___	Report No. _____
Serial No. _____	Date _____

Test Description	Results			Measurement Uncertainty
	Minimum	Measured	Maximum	
39. Frequency Response (continued)				
Band Switching Uncertainty: (cont'd)				
Band 1 to Band 3,>22GHz		_____	5.8 dB	+0.95/-1.07dB
Band 2 to Band 3,<22GHz		_____	5.7 dB	+0.96/-1.08dB
Band 2 to Band 3,>22GHz		_____	6.5 dB	+0.96/-1.08dB
Band 3,< 22 GHz to Band 3,>22 GHz		_____	6.8 dB	+0.96/-1.08 dB
42. Frequency Span Accuracy				
1 kHz SPAN	-1 %	_____	+1 %	±0.24 %
2 kHz SPAN	-1 %	_____	+1 %	±0.24 %
5 kHz SPAN	-1 %	_____	+1 %	±0.24 %
10 kHz SPAN	-1 %	_____	+1 %	±0.24 %
20 kHz SPAN	-1 %	_____	+1 %	±0.24 %
50 kHz SPAN	-1 %	_____	+1 %	±0.24 %
100 kHz SPAN	-1 %	_____	+1 %	±0.24 %
200 kHz SPAN	-1 %	_____	+1 %	±0.24 %
500 kHz SPAN	-1 %	_____	+1 %	±0.24 %
1 MHz SPAN	-1 %	_____	+1 %	±0.24 %
2 MHz SPAN	-1 %	_____	+1 %	±0.24 %
5 MHz SPAN	-5 %	_____	+5 %	±0.24 %
10 MHz SPAN	-5 %	_____	+5 %	±0.24 %
20 MHz SPAN	-5 %	_____	+5 %	±0.24 %
50 MHz SPAN	-5 %	_____	+5 %	±0.24 %
100 MHz SPAN	-5 %	_____	+5 %	±0.24 %
200 MHz SPAN	-5 %	_____	+5 %	±0.24 %
500 MHz SPAN	-5 %	_____	+5 %	±0.24 %

**Table 14-20 Performance Test Record (20 of 23)**

Agilent Technologies	
Select model: 8563E ___ 8563EC___	Report No. _____
Serial No. _____	Date _____

Test Description	Results			Measurement Uncertainty
	Minimum	Measured	Maximum	
45. Third Order Intermodulation Distortion				
TOI Distortion, 45 MHz				
Serial Prefix <3645A		_____	-78 dBc	+1.41/-1.43 dB
Serial Prefix ≥3645A		_____	-82 dBc	+1.41/-1.43 dB
Option H13			-82 dBc	+1.41/-1.43 dB
TOI Distortion, 5 GHz			-90 dBc	+2.04/-2.12 dB
TOI Distortion, 8 GHz			-75 dBc	+2.04/-2.12 dB
49. Gain Compression				
Gain Compression, 2 GHz		_____	1 dB	±0.19 dB
Gain Compression, 4 GHz		_____	1 dB	±0.22 dB
Gain Compression, 7 GHz		_____	1 dB	±0.22 dB
52. 1ST LO OUTPUT Amplitude				
Maximum 1ST LO OUTPUT AMPLITUDE		_____	+18.5 dBm	±0.18 dB
Minimum 1ST LO OUTPUT AMPLITUDE	+14.5 dBm	_____		±0.18 dB
53. Sweep Time Accuracy				
50 μs SWEEP TIME <sup>†</sup>	42.5 μs	_____	57.5 μs	±750 ns
100 μs SWEEP TIME <sup>†</sup>	85.0 μs	_____	115 μs	±1.5 μs
200 μs SWEEP TIME <sup>†</sup>	170 μs	_____	230 μs	±3.0 μs
500 μs SWEEP TIME <sup>†</sup>	425 μs	_____	575 μs	±7.5 μs
1 ms SWEEP TIME <sup>†</sup>	850 μs	_____	1.15 ms	±15 μs
2 ms SWEEP TIME <sup>†</sup>	1.70 ms	_____	2.30 ms	±30 μs
<sup>†</sup> These entries apply only to E-Series spectrum analyzers without Option 007.				

8563E/EC Performance Test Record  
**Test Record**

**Table 14-21 Performance Test Record (21 of 23)**

Agilent Technologies	
Select model: 8563E ___ 8563EC ___	Report No. _____
Serial No. _____	Date _____

Test Description	Results			Measurement Uncertainty
	Minimum	Measured	Maximum	
53. Sweep Time Accuracy (continued)				
5 ms SWEEP TIME <sup>†</sup>	4.25 ms	_____	5.75 ms	±75 μs
10 ms SWEEP TIME <sup>†</sup>	8.50 ms	_____	11.5 ms	±150 μs
20 ms SWEEP TIME <sup>†</sup>	17.0 ms	_____	23.0 ms	±300 μs
30 ms SWEEP TIME	29.7 ms	_____	30.3 ms	±209 ns
50 ms SWEEP TIME	49.5 ms	_____	50.5 ms	±281 ns
100 ms SWEEP TIME	99.0 ms	_____	101.0 ms	±461 ns
200 ms SWEEP TIME	198.0 ms	_____	202.0 ms	±821 ns
500 ms SWEEP TIME	495.0 ms	_____	505.0 ms	±1.901 μs
1 s SWEEP TIME	990.0 ms	_____	1.010 s	±3.7 μs
2 s SWEEP TIME	1.980 s	_____	2.020 s	±7.3 μs
5 s SWEEP TIME	4.950 s	_____	5.050 s	±18.1 μs
10 s SWEEP TIME	9.900 s	_____	10.10 s	±36.1 μs
20 s SWEEP TIME	19.80 s	_____	20.20 s	±72.1 μs
50 s SWEEP TIME	49.50 s	_____	50.50 s	±180.1 μs
100 s SWEEP TIME	99.00 s	_____	101.0 s	±360.1 μs
56. Residual Responses				
200 kHz to 2.9 GHz		_____	-90 dBm	+1.24/-1.37 dB
2.9 GHz to 6.5 GHz		_____	-90 dBm	+1.24/-1.37 dB
57. IF INPUT Amplitude Accuracy (Non-Option 327 only)				
IF INPUT Amplitude	-31.5 dBm	_____	-28.5 dBm	+0.40/-0.44 dB
† These entries apply only to E-Series spectrum analyzers without Option 007.				

**Table 14-22 Performance Test Record (22 of 23)**

Agilent Technologies	
Select model: 8563E ___ 8563EC___	Report No. _____
Serial No. _____	Date _____

Test Description	Results			Measurement Uncertainty
	Minimum	Measured	Maximum	
58. Gate Delay Accuracy and Gate Length Accuracy Serial prefix <3310A 20 °C to 30 °C:				
MIN Gate Delay	1.9985 μs	_____	4.0015 μs	±21 ns
MAX Gate Delay	1.9985 μs	_____	4.0015 μs	±21 ns
1 μs Gate Length	799.5 ns	_____	1200.5 ns	±11 ns
65 ms Gate Length	64.967 ms	_____	65.033 ms	±752 ns
-10 °C to 55 °C:				
MIN Gate Delay	1.9964 μs	_____	4.0036 μs	±21 ns
MAX Gate Delay	1.9964 μs	_____	4.0036 μs	±21 ns
1 μs Gate Length	798.8 ns	_____	1201.2 ns	±11 ns
65 ms Gate Length	64.922 ms	_____	65.078 ms	±752 ns
Serial prefix ≥3310A				
MIN Gate Delay	2.0000 μs	_____	4.0000 μs	±21 ns
MAX Gate Delay	2.0000 μs	_____	4.0000 μs	±21 ns
1 μs Gate Length	0.0000 ns	_____	2.0000 μs	±11 ns
65 ms Gate Length	64.999 ms	_____	65.001 ms	±752 ns
59. Delayed Sweep Accuracy Serial Prefix <3310A 20 °C to 30 °C:				
1000 μs	998.5 μs	_____	1001.5 μs	±114 ns
2000 μs	1998 μs	_____	2002 μs	±124 ns
5000 μs	4996.5 μs	_____	5003.5 μs	±154 ns
10000 μs	9994 μs	_____	10006 μs	±204 ns
20000 μs	19989 μs	_____	20011 μs	±304 ns
50000 μs	49974 μs	_____	50026 μs	±604 ns
65000 μs	64966.5 μs	_____	65033.5 μs	±754 ns

8563E/EC Performance Test Record  
**Test Record**

**Table 14-23 Performance Test Record (23 of 23)**

Agilent Technologies	
Select model: 8563E ___ 8563EC ___	Report No. _____
Serial No. _____	Date _____

Test Description	Results			Measurement Uncertainty
	Minimum	Measured	Maximum	
59. Delayed Sweep Accuracy (continued)				
Serial Prefix <3310A (cont'd)				
-10 °C to 55 °C:				
1000 μs	997.8 μs	_____	1002.2 μs	±114 ns
2000 μs	1996.6 μs	_____	2003.4 μs	±124 ns
5000 μs	4993 μs	_____	5007 μs	±154 ns
10000 μs	9987 μs	_____	10013 μs	±204 ns
20000 μs	19975 μs	_____	20025 μs	±304 ns
50000 μs	49939 μs	_____	50061 μs	±604 ns
65000 μs	64922 μs	_____	65078 μs	±754 ns
Serial Prefix ≥3310A				
1000 μs	999 μs	_____	1001 μs	±114 ns
2000 μs	1999 μs	_____	2001 μs	±124 ns
5000 μs	4999 μs	_____	5001 μs	±154 ns
10000 μs	9999 μs	_____	10001 μs	±204 ns
20000 μs	19999 μs	_____	20001 μs	±304 ns
50000 μs	49999 μs	_____	50001 μs	±604 ns
65000 μs	64999 μs	_____	65001 μs	±754 ns



---

**15** **8564E/EC Performance Test Record**

## Test Record

**Table 15-1 8564E/EC Performance Test Record**

Agilent Technologies		Report No. _____	
Address: _____		Date _____	
_____		(e.g. 10 SEP 1989)	
Select model: 8564E ___ 8564EC ___		Options _____	
Serial No. _____			
Firmware Revision _____			
Customer _____		Tested by _____	
Ambient temperature _____ °C		Relative humidity _____ %	
Power mains line frequency _____ Hz (nominal)			
<b>Test Equipment Used</b>			
<b>Description</b>	<b>Model No.</b>	<b>Trace No.</b>	<b>Cal Due Date</b>
Synthesized Sweeper #1	_____	_____	_____
Synthesized Sweeper #2	_____	_____	_____
Synthesized Signal Generator	_____	_____	_____
Synthesizer/Level Generator	_____	_____	_____
Frequency Standard	_____	_____	_____
Measuring Receiver	_____	_____	_____
RF Power Sensor	_____	_____	_____
Low-Power Power Sensor	_____	_____	_____
Microwave Power Sensor	_____	_____	_____
Millimeter Power Sensor	_____	_____	_____
Pulse/Function Generator	_____	_____	_____
Microwave Frequency Counter	_____	_____	_____
Universal Frequency Counter	_____	_____	_____
Oscilloscope	_____	_____	_____
Amplifier	_____	_____	_____
Power Splitter	_____	_____	_____
1.8 GHz Low-Pass Filter	_____	_____	_____
4.4 GHz Low-Pass Filter	_____	_____	_____
50 MHz Low-Pass Filter	_____	_____	_____
50 Ω Termination	_____	_____	_____
20 dB Fixed Attenuator	_____	_____	_____
10 dB Fixed Attenuator	_____	_____	_____
1 dB Step Attenuator	_____	_____	_____
10 dB Step Attenuator	_____	_____	_____
DVM	_____	_____	_____
Function Generator	_____	_____	_____
Notes/Comments: _____			
_____			

**Table 15-2 Performance Test Record (2 of 27)**

Agilent Technologies	
Select model: 8564E ___ 8564EC ___	Report No. _____
Serial No. _____	Date _____

Test Description	Results			Measurement Uncertainty
	Minimum	Measured	Maximum	
1. 10 MHz Reference Output Accuracy (Non-Option 103)				
5-minute Warm-up Error (0 °C to +55 °C)	$-1 \times 10^{-7}$	_____	$+1 \times 10^{-7}$	$\pm 2.004 \times 10^{-9}$
5-minute Warm-up Error (-10 °C to 0 °C)	$-1 \times 10^{-6}$	_____	$+1 \times 10^{-6}$	$\pm 2.004 \times 10^{-9}$
15-minute Warm-up Error	$-1 \times 10^{-8}$	_____	$+1 \times 10^{-8}$	$\pm 2.003 \times 10^{-9}$
2. 10 MHz Reference Output Accuracy (Option 103)				
Calibrator Frequency	299.9988 MHz	_____	300.0012 MHz	$\pm 55.75$ Hz
3. Fast Sweep Time Accuracy (EC-Series and E-Series with Option 007)	299.700 MHz	_____	300.300 MHz	$\pm 55.75$ Hz
4. Calibrator Amplitude Accy				
Calibrator Amplitude	-10.30 dBm	_____	+9.70 dB	$\pm 0.12$ dB
9. Displayed Average Noise Level				
Non-Option 103:				
30 Hz (Option 006)		_____	-90 dBm	+1.24/-1.37 dB
1 kHz (Option 006)		_____	-105 dBm	+1.24/-1.37 dB
10 kHz		_____	-120 dBm	+1.24/-1.37 dB
100 kHz		_____	-120 dBm	+1.24/-1.37 dB
1 MHz to 10 MHz		_____	-140 dBm	+1.24/-1.37 dB
10 MHz to 2.9 GHz		_____		
Serial Prefix <3641A		_____	-140 dBm	+1.24/-1.37 dB
Serial Prefix $\geq 3641A$		_____	-145 dBm	+1.24/-1.37 dB
Option H13		_____	-145 dBm	+1.24/-1.37 dB
2.9 GHz to 6.46 GHz		_____	-147 dBm	+1.24/-1.37 dB
6.46 GHz to 13.2 GHz		_____	-143 dBm	+1.24/-1.37 dB

8564E/EC Performance Test Record  
**Test Record**

**Table 15-3 Performance Test Record (3 of 27)**

Agilent Technologies	
Select model: 8564E ____ 8564EC ____	Report No. _____
Serial No. _____	Date _____

Test Description	Results			Measurement Uncertainty
	Minimum	Measured	Maximum	
9. DANL (continued)				
13.2 GHz to 22.0 GHz		_____	-140 dBm	+1.24/-1.37 dB
22.0 GHz to 26.8 GHz		_____	-136 dBm	+1.24/-1.37 dB
26.8 GHz to 31.15 GHz		_____	-139 dBm	+1.24/-1.37 dB
31.15 GHz to 40 GHz		_____	-130 dBm	+1.24/-1.37 dB
Option 103:				
30 Hz (Option 006)		_____	-80 dBm	+1.24/-1.37 dB
1 kHz (Option 006)		_____	-95 dBm	+1.24/-1.37 dB
10 kHz		_____	-110 dBm	+1.24/-1.37 dB
100 kHz		_____	-110 dBm	+1.24/-1.37 dB
1 MHz to 10 MHz		_____	-130 dBm	+1.24/-1.37 dB
10 MHz to 2.9 GHz				
Serial Prefix <3641A		_____	-130 dBm	+1.24/-1.37 dB
Serial Prefix ≥3641A		_____	-135 dBm	+1.24/-1.37 dB
Option H13		_____	-135 dBm	+1.24/-1.37 dB
2.9 GHz to 6.46 GHz		_____	-137 dBm	+1.24/-1.37 dB
6.46 GHz to 13.2 GHz		_____	-133 dBm	+1.24/-1.37 dB
13.2 GHz to 22.0 GHz		_____	-130 dBm	+1.24/-1.37 dB
22.0 GHz to 26.8 GHz		_____	-126 dBm	+1.24/-1.37 dB
26.8 GHz to 31.15 GHz		_____	-129 dBm	+1.24/-1.37 dB
31.15 GHz to 40 GHz		_____	-120 dBm	+1.24/-1.37 dB
11. Resolution Bandwidth Switching and IF Alignment Uncertainty				
2 MHz RES BW	-0.5 dB	_____	+0.5 dB	±0.10 dB
1 MHz RES BW	-0.5 dB	_____	+0.5 dB	±0.10 dB
100 kHz RES BW	-0.5 dB	_____	+0.5 dB	±0.10 dB
30 kHz RES BW	-0.5 dB	_____	+0.5 dB	±0.10 dB

**Table 15-4 Performance Test Record (4 of 27)**

Agilent Technologies	
Select model: 8564E ___ 8564EC ___	Report No. _____
Serial No. _____	Date _____

Test Description	Results			Measurement Uncertainty
	Minimum	Measured	Maximum	
11. Resolution Bandwidth Switching and IF Alignment Uncertainty (continued)				
10 kHz RES BW	-0.5 dB	_____	+0.5 dB	±0.10 dB
3 kHz RES BW	-0.5 dB	_____	+0.5 dB	±0.10 dB
1 kHz RES BW	-0.5 dB	_____	+0.5 dB	±0.10 dB
300 Hz RES BW	-1.0 dB	_____	+1.0 dB	±0.10 dB
100 Hz RES BW	-0.5 dB	_____	+0.5 dB	±0.10 dB
30 Hz RES BW	-0.5 dB	_____	+0.5 dB	±0.10 dB
10 Hz RES BW	-0.5 dB	_____	+0.5 dB	±0.10 dB
3 Hz RES BW*	-0.5 dB	_____	+0.5 dB	±0.10 dB
1 Hz RES BW*	-0.5 dB	_____	+0.5 dB	±0.10 dB
12. Resolution Bandwidth Accuracy and Selectivity				
3 dB Bandwidth Accuracy				
2 MHz RES BW	-25%	_____	+50%	±1.33%
1 MHz RES BW	-25%	_____	+25%	±1.33%
300 kHz RES BW	-10%	_____	+10%	±1.33%
100 kHz RES BW	-10%	_____	+10%	±1.33%
30 kHz RES BW	-10%	_____	+10%	±1.33%
10 kHz RES BW	-10%	_____	+10%	±1.33%
3 kHz RES BW	-10%	_____	+10%	±1.33%
1 kHz RES BW	-10%	_____	+10%	±1.33%
300 Hz RES BW	-10%	_____	+10%	±1.33%
Selectivity				
2 MHz RES BW		_____	15:1	±2.89%
1 MHz RES BW		_____	15:1	±2.89%
300 kHz RES BW		_____	15:1	±2.89%
* 3 Hz and 1 Hz RES BW not available with Option 103.				

**Table 15-5 Performance Test Record (5 of 27)**

Agilent Technologies	
Select model: 8564E ____ 8564EC ____	Report No. _____
Serial No. _____	Date _____

Test Description	Results			Measurement Uncertainty
	Minimum	Measured	Maximum	
12. Resolution Bandwidth Accuracy and Selectivity (continued)				
Selectivity (cont'd)				
100 kHz RES BW		_____	15:1	±2.89%
30 kHz RES BW		_____	15:1	±2.89%
10 kHz RES BW		_____	15:1	±2.89%
3 kHz RES BW		_____	15:1	±2.89%
1 kHz RES BW		_____	15:1	±2.89%
300 Hz RES BW		_____	15:1	±2.89%
14. Input Attenuator Switching Uncertainty				
Cumulative, 50 MHz				
20 dB ATTEN	-0.6 dB	_____	+0.6 dB	±0.12 dB
30 dB ATTEN	-1.2 dB	_____	+1.2 dB	±0.12 dB
40 dB ATTEN	-1.8 dB	_____	+1.8 dB	±0.12 dB
50 dB ATTEN	-1.8 dB	_____	+1.8 dB	±0.14 dB
60 dB ATTEN	-1.8 dB	_____	+1.8 dB	±0.14 dB
Incremental, 50 MHz				
20 dB ATTEN	-0.6 dB	_____	+0.6 dB	±0.12 dB
30 dB ATTEN	-0.6 dB	_____	+0.6 dB	±0.12 dB
40 dB ATTEN	-0.6 dB	_____	+0.6 dB	±0.12 dB
50 dB ATTEN	-0.6 dB	_____	+0.6 dB	±0.14 dB
60 dB ATTEN	-0.6 dB	_____	+0.6 dB	±0.14 dB
Cumulative, 2.9 GHz				
20 dB ATTEN	-0.6 dB	_____	+0.6 dB	±0.23 dB
30 dB ATTEN	-1.2 dB	_____	+1.2 dB	±0.23 dB

**Table 15-6 Performance Test Record (6 of 27)**

Agilent Technologies	
Select model: 8564E ___ 8564EC ___	Report No. _____
Serial No. _____	Date _____

Test Description	Results			Measurement Uncertainty
	Minimum	Measured	Maximum	
14. Input Attenuator Switching Uncertainty (continued)				
Cumulative, 2.9 GHz (cont'd)				
40 dB ATTEN	-1.8 dB	_____	+1.8 dB	±0.23 dB
50 dB ATTEN	-1.8 dB	_____	+1.8 dB	±0.23 dB
60 dB ATTEN	-1.8 dB	_____	+1.8 dB	+0.24/-0.25 dB
Incremental, 2.9 GHz				
20 dB ATTEN	-0.6 dB	_____	+0.6 dB	±0.23 dB
30 dB ATTEN	-0.6 dB	_____	+0.6 dB	±0.23 dB
40 dB ATTEN	-0.6 dB	_____	+0.6 dB	±0.23 dB
50 dB ATTEN	-0.6 dB	_____	+0.6 dB	±0.23 dB
60 dB ATTEN	-0.6 dB	_____	+0.6 dB	+0.24/-0.25 dB
15. IF Gain Uncertainty				
LOG, 10 dB steps				
-10 dBm REF LVL	-1.0 dB	_____	+1.0 dB	±0.11 dB
-20 dBm REF LVL	-1.0 dB	_____	+1.0 dB	±0.11 dB
-30 dBm REF LVL	-1.0 dB	_____	+1.0 dB	±0.11 dB
-40 dBm REF LVL	-1.0 dB	_____	+1.0 dB	±0.11 dB
-50 dBm REF LVL	-1.0 dB	_____	+1.0 dB	±0.11 dB
-60 dBm REF LVL	-1.0 dB	_____	+1.0 dB	±0.12 dB
-70 dBm REF LVL	-1.0 dB	_____	+1.0 dB	±0.12 dB
-80 dBm REF LVL	-1.0 dB	_____	+1.0 dB	±0.12 dB
LOG, 1 dB steps				
-1 dBm REF LVL	-1.0 dB	_____	+1.0 dB	±0.11 dB
-2 dBm REF LVL	-1.0 dB	_____	+1.0 dB	±0.11 dB
-3 dBm REF LVL	-1.0 dB	_____	+1.0 dB	±0.11 dB

**Table 15-7 Performance Test Record (7 of 27)**

Agilent Technologies	
Select model: 8564E ____ 8564EC ____	Report No. _____
Serial No. _____	Date _____

Test Description	Results			Measurement Uncertainty
	Minimum	Measured	Maximum	
15. IF Gain Uncertainty (continued)				
LOG, 1 dB steps (cont'd)				
-4 dBm REF LVL	-1.0 dB	_____	+1.0 dB	±0.11 dB
-5 dBm REF LVL	-1.0 dB	_____	+1.0 dB	±0.11 dB
-6 dBm REF LVL	-1.0 dB	_____	+1.0 dB	±0.11 dB
-7 dBm REF LVL	-1.0 dB	_____	+1.0 dB	±0.11 dB
-8 dBm REF LVL	-1.0 dB	_____	+1.0 dB	±0.11 dB
-9 dBm REF LVL	-1.0 dB	_____	+1.0 dB	±0.11 dB
-10 dBm REF LVL	-1.0 dB	_____	+1.0 dB	±0.11 dB
-11 dBm REF LVL	-1.0 dB	_____	+1.0 dB	±0.11 dB
-12 dBm REF LVL	-1.0 dB	_____	+1.0 dB	±0.11 dB
LINEAR, 10 dB steps				
-10 dBm REF LVL	-1.0 dB	_____	+1.0 dB	±0.11 dB
-20 dBm REF LVL	-1.0 dB	_____	+1.0 dB	±0.11 dB
-30 dBm REF LVL	-1.0 dB	_____	+1.0 dB	±0.11 dB
-40 dBm REF LVL	-1.0 dB	_____	+1.0 dB	±0.11 dB
-50 dBm REF LVL	-1.0 dB	_____	+1.0 dB	±0.11 dB
-60 dBm REF LVL	-1.0 dB	_____	+1.0 dB	±0.12 dB
-70 dBm REF LVL	-1.0 dB	_____	+1.0 dB	±0.12 dB
-80 dBm REF LVL	-1.0 dB	_____	+1.0 dB	±0.12 dB
16. Scale Fidelity				
Cumulative, 10 dB/Div,				
RES BW ≥300 Hz				
-6 dB from REF LVL	-0.60 dB	_____	+0.60 dB	±0.24 dB
-12 dB from REF LVL	-0.85 dB	_____	+0.85 dB	±0.24 dB
-18 dB from REF LVL	-0.85 dB	_____	+0.85 dB	±0.24 dB



**Table 15-8 Performance Test Record (8 of 27)**

Agilent Technologies	
Select model: 8564E ___ 8564EC ___	Report No. _____
Serial No. _____	Date _____

Test Description	Results			Measurement Uncertainty
	Minimum	Measured	Maximum	
16. Scale Fidelity (continued)				
Cumulative, 10 dB/Div, (cont'd)				
RES BW ≥300 Hz (cont'd)				
-24 dB from REF LVL	-0.85 dB	_____	+0.85 dB	±0.24 dB
-30 dB from REF LVL	-0.85 dB	_____	+0.85 dB	±0.24 dB
-36 dB from REF LVL	-0.85 dB	_____	+0.85 dB	±0.24 dB
-42 dB from REF LVL	-0.85 dB	_____	+0.85 dB	±0.24 dB
-48 dB from REF LVL	-0.85 dB	_____	+0.85 dB	±0.24 dB
-54 dB from REF LVL	-0.85 dB	_____	+0.85 dB	±0.24 dB
-60 dB from REF LVL	-0.85 dB	_____	+0.85 dB	+0.25/-0.26 dB
-66 dB from REF LVL	-0.85 dB	_____	+0.85 dB	+0.25/-0.26 dB
-72 dB from REF LVL	-0.85 dB	_____	+0.85 dB	+0.25/-0.26 dB
-78 dB from REF LVL	-0.85 dB	_____	+0.85 dB	+0.25/-0.26 dB
-84 dB from REF LVL	-0.85 dB	_____	+0.85 dB	+0.25/-0.26 dB
-90 dB from REF LVL	-0.85 dB	_____	+0.85 dB	+0.25/-0.26 dB
Incremental, 10 dB/Div,				
RES BW ≥300 Hz				
-12 dB from REF LVL	-0.10 dB	_____	+0.10 dB	±0.04 dB
-18 dB from REF LVL	-0.10 dB	_____	+0.10 dB	±0.04 dB
-24 dB from REF LVL	-0.10 dB	_____	+0.10 dB	±0.04 dB
-30 dB from REF LVL	-0.10 dB	_____	+0.10 dB	±0.04 dB
-36 dB from REF LVL	-0.10 dB	_____	+0.10 dB	±0.04 dB
-42 dB from REF LVL	-0.10 dB	_____	+0.10 dB	±0.04 dB
-48 dB from REF LVL	-0.10 dB	_____	+0.10 dB	±0.04 dB
-54 dB from REF LVL	-0.10 dB	_____	+0.10 dB	±0.04 dB
-60 dB from REF LVL	-0.10 dB	_____	+0.10 dB	±0.04 dB
-66 dB from REF LVL	-0.10 dB	_____	+0.10 dB	±0.04 dB
-72 dB from REF LVL	-0.10 dB	_____	+0.10 dB	±0.05 dB

8564E/EC Performance Test Record  
**Test Record**

**Table 15-9 Performance Test Record (9 of 27)**

Agilent Technologies	
Select model: 8564E ____ 8564EC ____	Report No. _____
Serial No. _____	Date _____

Test Description	Results			Measurement Uncertainty
	Minimum	Measured	Maximum	
16. Scale Fidelity (continued)				
Incremental, 10 dB/Div,				
RES BW ≥300 Hz (cont'd)				
-78 dB from REF LVL	-0.10 dB	_____	+0.10 dB	±0.05 dB
-84 dB from REF LVL	-0.10 dB	_____	+0.10 dB	±0.05 dB
-90 dB from REF LVL	-0.10 dB	_____	+0.10 dB	±0.05 dB
Cumulative, 10 dB/Div,				
RES BW ≤100 Hz				
-6 dB from REF LVL	-0.60 dB	_____	+0.60 dB	±0.24 dB
-12 dB from REF LVL	-0.85 dB	_____	+0.85 dB	±0.24 dB
-18 dB from REF LVL	-0.85 dB	_____	+0.85 dB	±0.24 dB
-24 dB from REF LVL	-0.85 dB	_____	+0.85 dB	±0.24 dB
-30 dB from REF LVL	-0.85 dB	_____	+0.85 dB	±0.24 dB
-36 dB from REF LVL	-0.85 dB	_____	+0.85 dB	±0.24 dB
-42 dB from REF LVL	-0.85 dB	_____	+0.85 dB	±0.24 dB
-48 dB from REF LVL	-0.85 dB	_____	+0.85 dB	±0.24 dB
-54 dB from REF LVL	-0.85 dB	_____	+0.85 dB	±0.24 dB
-60 dB from REF LVL	-0.85 dB	_____	+0.85 dB	+0.25/-0.26 dB
-66 dB from REF LVL	-0.85 dB	_____	+0.85 dB	+0.25/-0.26 dB
-72 dB from REF LVL	-0.85 dB	_____	+0.85 dB	+0.25/-0.26 dB
-78 dB from REF LVL	-0.85 dB	_____	+0.85 dB	+0.25/-0.26 dB
-84 dB from REF LVL	-0.85 dB	_____	+0.85 dB	+0.25/-0.26 dB
-90 dB from REF LVL	-0.85 dB	_____	+0.85 dB	+0.25/-0.26 dB
-94 dB from REF LVL	-1.50 dB	_____	+1.50 dB	+0.25/-0.26 dB
-98 dB from REF LVL	-1.50 dB	_____	+1.50 dB	+0.25/-0.26 dB

**Table 15-10 Performance Test Record (10 of 27)**

Agilent Technologies	
Select model: 8564E ___ 8564EC ___	Report No. _____
Serial No. _____	Date _____

Test Description	Results			Measurement Uncertainty
	Minimum	Measured	Maximum	
16. Scale Fidelity (continued)				
Incremental, 10 dB/Div, RES BW ≤100 Hz				
-12 dB from REF LVL	-0.20 dB	_____	+0.20 dB	±0.04 dB
-18 dB from REF LVL	-0.20 dB	_____	+0.20 dB	±0.04 dB
-24 dB from REF LVL	-0.20 dB	_____	+0.20 dB	±0.04 dB
-30 dB from REF LVL	-0.20 dB	_____	+0.20 dB	±0.04 dB
-36 dB from REF LVL	-0.20 dB	_____	+0.20 dB	±0.04 dB
-42 dB from REF LVL	-0.20 dB	_____	+0.20 dB	±0.04 dB
-48 dB from REF LVL	-0.20 dB	_____	+0.20 dB	±0.04 dB
-54 dB from REF LVL	-0.20 dB	_____	+0.20 dB	±0.04 dB
-60 dB from REF LVL	-0.20 dB	_____	+0.20 dB	±0.04 dB
-66 dB from REF LVL	-0.20 dB	_____	+0.20 dB	±0.04 dB
-72 dB from REF LVL	-0.20 dB	_____	+0.20 dB	±0.05 dB
-78 dB from REF LVL	-0.20 dB	_____	+0.20 dB	±0.05 dB
-84 dB from REF LVL	-0.20 dB	_____	+0.20 dB	±0.05 dB
-90 dB from REF LVL	-0.20 dB	_____	+0.20 dB	±0.05 dB
Cumulative, 2 dB/Div				
-2 dB from REF LVL	-0.20 dB	_____	+0.20 dB	±0.053 dB
-4 dB from REF LVL	-0.40 dB	_____	+0.40 dB	±0.053 dB
-6 dB from REF LVL	-0.60 dB	_____	+0.60 dB	±0.053 dB
-8 dB from REF LVL	-0.80 dB	_____	+0.80 dB	±0.053 dB
-10 dB from REF LVL	-0.85 dB	_____	+0.85 dB	±0.053 dB
-12 dB from REF LVL	-0.85 dB	_____	+0.85 dB	±0.053 dB
-14 dB from REF LVL	-0.85 dB	_____	+0.85 dB	±0.053 dB
-16 dB from REF LVL	-0.85 dB	_____	+0.85 dB	±0.053 dB
-18 dB from REF LVL	-0.85 dB	_____	+0.85 dB	±0.053 dB

8564E/EC Performance Test Record  
**Test Record**

**Table 15-11 Performance Test Record (11 of 27)**

Agilent Technologies	
Select model: 8564E ____ 8564EC ____	Report No. _____
Serial No. _____	Date _____

Test Description	Results			Measurement Uncertainty
	Minimum	Measured	Maximum	
16. Scale Fidelity (continued)				
Incremental, 2 dB/Div				
-2 dB from REF LVL	-0.10 dB	_____	+0.10 dB	±0.04 dB
-4 dB from REF LVL	-0.10 dB	_____	+0.10 dB	±0.04 dB
-6 dB from REF LVL	-0.10 dB	_____	+0.10 dB	±0.04 dB
-8 dB from REF LVL	-0.10 dB	_____	+0.10 dB	±0.04 dB
-10 dB from REF LVL	-0.10 dB	_____	+0.10 dB	±0.04 dB
-12 dB from REF LVL	-0.10 dB	_____	+0.10 dB	±0.04 dB
-14 dB from REF LVL	-0.10 dB	_____	+0.10 dB	±0.04 dB
-16 dB from REF LVL	-0.10 dB	_____	+0.10 dB	±0.04 dB
-18 dB from REF LVL	-0.10 dB	_____	+0.10 dB	±0.04 dB
Linear				
-2 dB from REF LVL	-2.33 dB	_____	-1.68 dB	±0.04 dB
-4 dB from REF LVL	-4.42 dB	_____	-3.60 dB	±0.04 dB
-6 dB from REF LVL	-6.54 dB	_____	-5.50 dB	±0.04 dB
-8 dB from REF LVL	-8.68 dB	_____	-7.37 dB	±0.04 dB
-10 dB from REF LVL	-10.87 dB	_____	-9.21 dB	±0.04 dB
-12 dB from REF LVL	-13.10 dB	_____	-11.02 dB	±0.04 dB
-14 dB from REF LVL	-15.42 dB	_____	-12.78 dB	±0.04 dB
-16 dB from REF LVL	-17.82 dB	_____	-14.49 dB	±0.04 dB
-18 dB from REF LVL	-20.36 dB	_____	-16.14 dB	±0.04 dB
17. Residual FM				
Non-Option 103		_____	1 Hz	±0.2 Hz
Option 103		_____	10 Hz	±0.8 Hz

**Table 15-12 Performance Test Record (12 of 27)**

Agilent Technologies	
Select model: 8564E ___ 8564EC ___	Report No. _____
Serial No. _____	Date _____

Test Description	Results			Measurement Uncertainty
	Minimum	Measured	Maximum	
19. Noise Sidebands				
Non-Option 103				
+100 Hz offset (serial prefix <3510A)		_____	-80 dBc/Hz	+1.22/-1.34 dB
+100 Hz offset (serial prefix ≥3510A)		_____	-88 dBc/Hz	+1.22/-1.34 dB
-100 Hz offset (serial prefix <3510A)		_____	-80 dBc/Hz	+1.22/-1.34 dB
-100 Hz offset (serial prefix ≥3510A)		_____	-88 dBc/Hz	+1.22/-1.34 dB
+1 kHz offset		_____	-97 dBc/Hz	+1.22/-1.34 dB
-1 kHz offset		_____	-97 dBc/Hz	+1.22/-1.34 dB
+10 kHz offset		_____	-113 dBc/Hz	+1.22/-1.34 dB
-10 kHz offset		_____	-113 dBc/Hz	+1.22/-1.34 dB
+30 kHz offset		_____	N/A*	+1.22/-1.34 dB
-30 kHz offset		_____	N/A*	+1.22/-1.34 dB
+100 kHz offset (serial prefix <3510A)		_____	-116 dBc/Hz	+1.22/-1.34 dB
+100 kHz offset (serial prefix ≥3510A)		_____	-117 dBc/Hz	+1.22/-1.34 dB
-100 kHz offset (serial prefix <3510A)		_____	-116 dBc/Hz	+1.22/-1.34 dB
-100 kHz offset (serial prefix ≥3510A)		_____	-117 dBc/Hz	+1.22/-1.34 dB
Option 103				
+100 Hz offset		_____	-70 dBc/Hz	+1.22/-1.34 dB
-100 Hz offset		_____	-70 dBc/Hz	+1.22/-1.34 dB
+1 kHz offset		_____	-90 dBc/Hz	+1.22/-1.34 dB
-1 kHz offset		_____	-90 dBc/Hz	+1.22/-1.34 dB
+10 kHz offset		_____	-113 dBc/Hz	+1.22/-1.34 dB

\* Noise sidebands are not specified at ±30 kHz offset; measurement is for characterization only.

**Table 15-13 Performance Test Record (13 of 27)**

Agilent Technologies	
Select model: 8564E ____ 8564EC ____	Report No. _____
Serial No. _____	Date _____

Test Description	Results			Measurement Uncertainty
	Minimum	Measured	Maximum	
19. Noise Sidebands (continued) Option 103 (cont'd)				
-10 kHz offset		_____	-113 dBc/Hz	+1.22/-1.34 dB
+30 kHz offset		_____	N/A*	+1.22/-1.34 dB
-30 kHz offset		_____	N/A*	+1.22/-1.34 dB
+100 kHz offset (serial prefix <3510A)		_____	-116 dBc/Hz	+1.22/-1.34 dB
+100 kHz offset (serial prefix ≥3510A)		_____	-117 dBc/Hz	+1.22/-1.34 dB
-100 kHz offset (serial prefix <3510A)		_____	-116 dBc/Hz	+1.22/-1.34 dB
-100 kHz offset (serial prefix ≥3510A)		_____	-117 dBc/Hz	+1.22/-1.34 dB
24. Image, Multiple, and Out-of-Range Responses				
2 GHz CENTER FREQ				
2021.4 MHz		_____	-80 dBc	+0.8/-1.0 dB
2621.4 MHz		_____	-80 dBc	+0.8/-1.0 dB
2321.4 MHz		_____	-80 dBc	+0.8/-1.0 dB
2600.0 MHz		_____	-80 dBc	+0.8/-1.0 dB
7910.7 MHz		_____	-80 dBc	+0.8/-1.0 dB
9821.4 MHz		_____	-80 dBc	+0.8/-1.0 dB
4 GHz CENTER FREQ				
4021.4 MHz		_____	-80 dBc	+0.8/-1.0 dB
4621.4 MHz		_____	-80 dBc	+0.8/-1.0 dB
4321.4 MHz		_____	-80 dBc	+0.8/-1.0 dB
4600.0 MHz		_____	-80 dBc	+0.8/-1.0 dB

\* Noise sidebands are not specified at ±30 kHz offset; measurement is for characterization only.

**Table 15-14 Performance Test Record (14 of 27)**

Agilent Technologies	
Select model: 8564E ___ 8564EC ___	Report No. _____
Serial No. _____	Date _____

Test Description	Results			Measurement Uncertainty
	Minimum	Measured	Maximum	
24. Image, Multiple, and Out-of-Range Responses (continued)				
4 GHz CENTER FREQ (cont'd)				
8310.7 MHz		_____	-80 dBc	+0.8/-1.0 dB
8932.1 MHz		_____	-80 dBc	+0.8/-1.0 dB
9 GHz CENTER FREQ				
9021.4 MHz		_____	-80 dBc	+0.8/-1.0 dB
9621.4 MHz		_____	-80 dBc	+0.8/-1.0 dB
9321.4 MHz		_____	-80 dBc	+0.8/-1.0 dB
9600.0 MHz		_____	-80 dBc	+0.8/-1.0 dB
18310.7 MHz		_____	-80 dBc	+0.8/-1.0 dB
18932.1 MHz		_____	-80 dBc	+0.8/-1.0 dB
15 GHz CENTER FREQ				
15021.400 MHz		_____	-80 dBc	+0.9/-1.1 dB
15621.400 MHz		_____	-80 dBc	+0.9/-1.1 dB
22655.350 MHz		_____	-80 dBc	+0.9/-1.1 dB
23276.750 MHz		_____	-80 dBc	+0.9/-1.1 dB
7344.650 MHz		_____	-80 dBc	+0.9/-1.1 dB
7966.050 MHz		_____	-80 dBc	+0.9/-1.1 dB
20 GHz CENTER FREQ				
20021.400 MHz		_____	-80 dBc	+0.9/-1.1 dB
20621.400 MHz		_____	-80 dBc	+0.9/-1.1 dB
15543.725 MHz		_____	-80 dBc	+0.9/-1.1 dB
25699.075 MHz		_____	-80 dBc	+0.9/-1.1 dB
9844.650 MHz		_____	-80 dBc	+0.9/-1.1 dB
10466.050 MHz		_____	-80 dBc	+0.9/-1.1 dB

8564E/EC Performance Test Record  
Test Record

**Table 15-15 Performance Test Record (15 of 27)**

Agilent Technologies	
Select model: 8564E ____ 8564EC ____	Report No. _____
Serial No. _____	Date _____

Test Description	Results			Measurement Uncertainty
	Minimum	Measured	Maximum	
24. Image, Multiple, and Out-of-Range Responses (continued)				
29 GHz CENTER FREQ				
28378.600 MHz		_____	-60 dBc	+0.88/-0.96 dB
28978.600 MHz		_____	-60 dBc	+0.88/-0.96 dB
24450.925 MHz		_____	-55 dBc	+0.88/-0.96 dB
28700.000 MHz		_____	-55 dBc	+0.88/-0.96 dB
16455.350 MHz		_____	-55 dBc	+0.88/-0.96 dB
35272.325 MHz		_____	-55 dBc	+0.88/-0.96 dB
35 GHz CENTER FREQ				
35021.400 MHz		_____	-60 dBc	+0.88/-0.96 dB
35621.400 MHz		_____	-60 dBc	+0.88/-0.96 dB
33093.725 MHz		_____	-55 dBc	+0.88/-0.96 dB
35321.400 MHz		_____	-55 dBc	+0.88/-0.96 dB
8744.538 MHz		_____	-55 dBc	+0.88/-0.96 dB
15544.650 MHz		_____	-55 dBc	+0.88/-0.96 dB
30. Frequency Readout Accuracy and Frequency Count Marker Accuracy				
Frequency Readout Accuracy:				
1.5 GHz CENTER FREQ				
1 MHz SPAN	1.499988GHz	_____	1.500012GHz	±1 Hz
10 MHz SPAN	1.49948 GHz	_____	1.50052 GHz	±1 Hz
20 MHz SPAN	1.49895 GHz	_____	1.50105 GHz	±1 Hz
50 MHz SPAN	1.49745 GHz	_____	1.50255 GHz	±1 Hz
100 MHz SPAN	1.4948 GHz	_____	1.5052 GHz	±1 Hz
1 GHz SPAN	1.450 GHz	_____	1.550 GHz	±1 Hz



**Table 15-16 Performance Test Record (16 of 27)**

Agilent Technologies	
Select model: 8564E ___ 8564EC ___	Report No. _____
Serial No. _____	Date _____

Test Description	Results			Measurement Uncertainty
	Minimum	Measured	Maximum	
30. Frequency Readout Accuracy and Frequency Count Marker Accuracy (continued)				
Frequency Readout Accuracy: (cont'd)				
4.0 GHz CENTER FREQ				
1 MHz SPAN	3.999988GHz	_____	4.000012GHz	±1 Hz
10 MHz SPAN	3.99948 GHz	_____	4.00052 GHz	±1 Hz
20 MHz SPAN	3.99895 GHz	_____	4.00105 GHz	±1 Hz
50 MHz SPAN	3.99745 GHz	_____	4.00255 GHz	±1 Hz
100 MHz SPAN	3.9948 GHz	_____	4.0052 GHz	±1 Hz
1 GHz SPAN	3.950 GHz	_____	4.050 GHz	±1 Hz
9.0 GHz CENTER FREQ				
1 MHz SPAN	8.999988GHz	_____	9.000012GHz	±2 Hz
10 MHz SPAN	8.99948 GHz	_____	9.00052 GHz	±2 Hz
20 MHz SPAN	8.99895 GHz	_____	9.00105 GHz	±2 Hz
50 MHz SPAN	8.99745 GHz	_____	9.00255 GHz	±2 Hz
100 MHz SPAN	8.9948 GHz	_____	9.0052 GHz	±2 Hz
1 GHz SPAN	8.950 GHz	_____	9.050 GHz	±2 Hz
16.0 GHz CENTER FREQ				
1 MHz SPAN	15.999988GHz	_____	16.000012GHz	±3 Hz
10 MHz SPAN	15.99948 GHz	_____	16.00052 GHz	±3 Hz
20 MHz SPAN	15.99895 GHz	_____	16.00105 GHz	±3 Hz
50 MHz SPAN	15.99745 GHz	_____	16.00255 GHz	±3 Hz
100 MHz SPAN	15.9948 GHz	_____	16.0052 GHz	±3 Hz
1 GHz SPAN	15.950 GHz	_____	16.050 GHz	±3 Hz

8564E/EC Performance Test Record  
**Test Record**

**Table 15-17 Performance Test Record (17 of 27)**

Agilent Technologies	
Select model: 8564E ____ 8564EC ____	Report No. _____
Serial No. _____	Date _____

Test Description	Results			Measurement Uncertainty
	Minimum	Measured	Maximum	
30. Frequency Readout Accuracy and Frequency Count Marker Accuracy (continued)				
Frequency Readout Accuracy: (cont'd)				
21.0 GHz CENTER FREQ				
1 MHz SPAN	20.999988GHz	_____	21.000012GHz	±4 Hz
10 MHz SPAN	20.99948 GHz	_____	21.00052 GHz	±4 Hz
20 MHz SPAN	20.99895 GHz	_____	21.00105 GHz	±4 Hz
50 MHz SPAN	20.99745 GHz	_____	21.00255 GHz	±4 Hz
100 MHz SPAN	20.9948 GHz	_____	21.0052 GHz	±4 Hz
1 GHz SPAN	20.950 GHz	_____	21.050 GHz	±4 Hz
29.0 GHz CENTER FREQ				
1 MHz SPAN	28.999988GHz	_____	29.000012GHz	±6 Hz
10 MHz SPAN	28.99948 GHz	_____	29.00052 GHz	±6 Hz
20 MHz SPAN	28.99895 GHz	_____	29.00105 GHz	±6 Hz
50 MHz SPAN	28.99745 GHz	_____	29.00255 GHz	±6 Hz
100 MHz SPAN	28.9948 GHz	_____	29.0052 GHz	±6 Hz
1 GHz SPAN	28.950 GHz	_____	29.050 GHz	±6 Hz
35.0 GHz CENTER FREQ				
1 MHz SPAN	34.999988GHz	_____	35.000012 GHz	±6 Hz
10 MHz SPAN	34.99948 GHz	_____	35.00052 GHz	±6 Hz
20 MHz SPAN	34.99895 GHz	_____	35.00105 GHz	±6 Hz
50 MHz SPAN	34.99745 GHz	_____	35.00255 GHz	±6 Hz
100 MHz SPAN	34.9948 GHz	_____	35.0052 GHz	±6 Hz
1 GHz SPAN	34.950 GHz	_____	35.050 GHz	±6 Hz

**Table 15-18 Performance Test Record (18 of 27)**

Agilent Technologies	
Select model: 8564E ___ 8564EC ___	Report No. _____
Serial No. _____	Date _____

Test Description	Results			Measurement Uncertainty
	Minimum	Measured	Maximum	
30. Frequency Readout Accuracy and Frequency Count Marker Accuracy (continued) Frequency Count Marker Accuracy:				
1.5 GHz CENTER FREQ	1.499999997 GHz	_____	1.500000003 GHz	±1 Hz
4.0 GHz CENTER FREQ	3.999999997 GHz	_____	4.000000003 GHz	±1 Hz
9.0 GHz CENTER FREQ	8.999999995 GHz	_____	9.000000005 GHz	±2 Hz
16.0 GHz CENTER FREQ	15.999999991 GHz	_____	16.000000009 GHz	±3 Hz
21.0 GHz CENTER FREQ	20.999999991 GHz	_____	21.000000009 GHz	±4 Hz
29.0 GHz CENTER FREQ	29.999999991 GHz	_____	30.000000009 GHz	±6 Hz
35.0 GHz CENTER FREQ	34.999999983 GHz	_____	35.000000017 GHz	±6 Hz
32. Pulse Digitization Uncertainty LOG 5dB/Div				
1 MHz RES BW		_____	1.25 dB	±0.15 dB
2 MHz RES BW		_____	3.0 dB	+0.43/-0.44 dB
LINEAR				
1 MHz RES BW		_____	4%	±0.31%
2 MHz RES BW		_____	12%	±0.65%

**Table 15-19 Performance Test Record (19 of 27)**

Agilent Technologies	
Select model: 8564E ____ 8564EC ____	Report No. _____
Serial No. _____	Date _____

Test Description	Results			Measurement Uncertainty
	Minimum	Measured	Maximum	
35. Second Harmonic Distortion (SHD)				
SHD (< 1.45 GHz)				
Serial Prefix <3641A		_____	-72 dBc	+1.87/-2.28 dB
Serial Prefix ≥3641A		_____	-79 dBc	+1.87/-2.28 dB
Option H13		_____	-79 dBc	+1.87/-2.28 dB
SHD (1.5 GHz)		_____	-85 dBc	+2.32/-2.66 dB
SHD (> 2.0 GHz)		_____	-90 dBc	+2.32/-2.66 dB
40. Frequency Response				
<i>(Enter data for either the -10 °C to 55 °C or 20 °C to 30 °C temperature range)</i>				
-10 °C to 55 °C				
Band 0				
Maximum Positive Response		_____	+1.5 dB	+0.37/-0.41 dB
Maximum Negative Response	-1.5 dB	_____		+0.37/-0.41 dB
Peak-to-Peak Response		_____	2.0 dB	+0.37/-0.41 dB
Band 1				
Maximum Positive Response		_____	+2.6 dB	+0.49/-0.55 dB
Maximum Negative Response	-2.6 dB	_____		+0.49/-0.55 dB
Peak-to-Peak Response		_____	3.4 dB	+0.49/-0.55 dB
Band 2				
Maximum Positive Response		_____	+3.0 dB	+0.49/-0.56 dB
Maximum Negative Response	-3.0 dB	_____		+0.49/-0.56 dB
Peak-to-Peak Response		_____	5.2 dB	+0.49/-0.56 dB

**Table 15-20 Performance Test Record (20 of 27)**

Agilent Technologies	
Select model: 8564E ___ 8564EC ___	Report No. _____
Serial No. _____	Date _____

Test Description	Results			Measurement Uncertainty
	Minimum	Measured	Maximum	
40. Frequency Response (continued)				
-10 °C to 55 °C (cont'd)				
Band 3, < 22 GHz				
Maximum Positive Response		_____	+4.0 dB	+0.53/-0.60 dB
Maximum Negative Response	-4.0 dB	_____		+0.53/-0.60 dB
Peak-to-Peak Response		_____	5.0 dB	+0.53/-0.60 dB
Band 3, > 22 GHz				
Maximum Positive Response		_____	+4.5 dB	+0.53/-0.60 dB
Maximum Negative Response	-4.5 dB	_____		+0.53/-0.60 dB
Peak-to-Peak Response		_____	6.6 dB	+0.53/-0.60 dB
Band 4				
Maximum Positive Response		_____	+4.0 dB	+0.74/-0.89 dB
Maximum Negative Response	-4.0 dB	_____		+0.74/-0.89 dB
Peak-to-Peak Response		_____	6.2 dB	+0.74/-0.89 dB
Band 5				
Maximum Positive Response		_____	+4.0 dB	+0.74/-0.89 dB
Maximum Negative Response	-4.0 dB	_____		+0.74/-0.89 dB
Peak-to-Peak Response		_____	5.2 dB	+0.74/-0.89 dB
Band 0, 100 MHz to 2.0 GHz (serial prefix ≥3641A)				
Peak-to-Peak Response		_____	1.8 dB	+0.37/-0.41 dB

8564E/EC Performance Test Record  
**Test Record**

**Table 15-21 Performance Test Record (21 of 27)**

Agilent Technologies	
Select model: 8564E ____ 8564EC ____	Report No. _____
Serial No. _____	Date _____

Test Description	Results			Measurement Uncertainty
	Minimum	Measured	Maximum	
40. Frequency Response (continued)				
-10 °C to 55 °C (cont'd)				
Band Switching Uncertainty:				
Band 0 to Band 1		_____	3.7 dB	+0.86/-0.96 dB
Band 0 to Band 2		_____	4.6 dB	+0.86/-0.97 dB
Band 0 to Band 3, <22GHz		_____	4.5 dB	+0.90/-1.01 dB
Band 0 to Band 3, >22GHz		_____	5.3 dB	+0.90/-1.01 dB
Band 0 to Band 4		_____	5.1 dB	+1.11/-1.30 dB
Band 0 to Band 5		_____	4.6 dB	+1.11/-1.30 dB
Band 1 to Band 2		_____	5.3 dB	+0.98/-1.11 dB
Band 1 to Band 3, <22GHz		_____	5.2 dB	+1.02/-1.15 dB
Band 1 to Band 3, >22GHz		_____	6.0 dB	+1.02/-1.15dB
Band 1 to Band 4		_____	5.8 dB	+1.23/-1.44 dB
Band 1 to Band 5		_____	5.3 dB	+1.23/-1.44 dB
Band 2 to Band 3, <22GHz		_____	6.1 dB	+1.02/-1.16 dB
Band 2 to Band 3, >22GHz		_____	6.9 dB	+1.02/-1.16 dB
Band 2 to Band 4		_____	6.7 dB	+1.23/-1.45 dB
Band 2 to Band 5		_____	6.2 dB	+1.23/-1.45 dB
Band 3, <22 GHz to Band 3, >22 GHz		_____	6.8 dB	+1.06/-1.20 dB
Band 3, <22 GHz to Band 4		_____	6.6 dB	+1.27/-1.49 dB
Band 3, <22 GHz to Band 5		_____	6.1 dB	+1.27/-1.49 dB
Band 3, >22 GHz to Band 4		_____	7.4 dB	+1.27/-1.49 dB
Band 3, >22 GHz to Band 5		_____	6.9 dB	+1.27/-1.49 dB
Band 4 to Band 5		_____	6.7 dB	+1.48/-1.78 dB

**Table 15-22 Performance Test Record (22 of 27)**

Agilent Technologies	
Select model: 8564E ___ 8564EC ___	Report No. _____
Serial No. _____	Date _____

Test Description	Results			Measurement Uncertainty
	Minimum	Measured	Maximum	
40. Frequency Response (continued)				
20 °C to 30 °C				
Band 0				
Maximum Positive Response		_____	+1.0 dB	+0.37/–0.41 dB
Maximum Negative Response	–1.0 dB	_____		+0.37/–0.41 dB
Peak-to-Peak Response		_____	1.6 dB	+0.37/–0.41 dB
Band 1				
Maximum Positive Response		_____	+1.8 dB	+0.49/–0.55 dB
Maximum Negative Response	–1.8 dB	_____		+0.49/–0.55 dB
Peak-to-Peak Response		_____	2.8 dB	+0.49/–0.55 dB
Band 2				
Maximum Positive Response		_____	+2.8 dB	+0.49/–0.56 dB
Maximum Negative Response	–2.8 dB	_____		+0.49/–0.56 dB
Peak-to-Peak Response		_____	4.4 dB	+0.49/–0.56 dB
Band 3, < 22 GHz				
Maximum Positive Response		_____	+3.5 dB	+0.53/–0.60 dB
Maximum Negative Response	–3.5 dB	_____		+0.53/–0.60 dB
Peak-to-Peak Response		_____	5.0 dB	+0.53/–0.60 dB

8564E/EC Performance Test Record  
**Test Record**

**Table 15-23 Performance Test Record (23 of 27)**

Agilent Technologies	
Select model: 8564E ____ 8564EC ____	Report No. _____
Serial No. _____	Date _____

Test Description	Results			Measurement Uncertainty
	Minimum	Measured	Maximum	
40. Frequency Response (continued)				
20 °C to 30 °C (cont'd)				
Band 3, > 22 GHz				
Maximum Positive Response		_____	+4.0 dB	+0.53/–0.60 dB
Maximum Negative Response	–4.0 dB	_____		+0.53/–0.60 dB
Peak-to-Peak Response		_____	4.4 dB	+0.53/–0.60 dB
Band 4				
Maximum Positive Response		_____	+3.0 dB	+0.74/–0.89 dB
Maximum Negative Response	–3.0 dB	_____		+0.74/–0.89 dB
Peak-to-Peak Response		_____	5.8 dB	+0.74/–0.89 dB
Band 5				
Maximum Positive Response		_____	+3.2 dB	+0.74/–0.89 dB
Maximum Negative Response	–3.2 dB	_____		+0.74/–0.89 dB
Peak-to-Peak Response		_____	4.8 dB	+0.74/–0.89 dB
Band 0, 100 MHz to 2.0 GHz (serial prefix ≥3641A)				
Peak-to-Peak Response		_____	1.6 dB	+0.37/–0.41 dB
Band Switching Uncertainty:				
Band 0 to Band 1		_____	3.2 dB	+0.86/–0.96 dB
Band 0 to Band 2		_____	4.0 dB	+0.86/–0.97 dB
Band 0 to Band 3, <22GHz		_____	4.3 dB	+0.90/–1.01 dB
Band 0 to Band 3, >22GHz		_____	4.0 dB	+0.90/–1.01 dB
Band 0 to Band 4		_____	4.7 dB	+1.11/–1.30 dB



**Table 15-24 Performance Test Record (24 of 27)**

Agilent Technologies	
Select model: 8564E ___ 8564EC ___	Report No. _____
Serial No. _____	Date _____

Test Description	Results			Measurement Uncertainty
	Minimum	Measured	Maximum	
40. Frequency Response (continued)				
-20 °C to 30 °C (cont'd)				
Band Switching Uncertainty: (cont'd)				
Band 0 to Band 5		_____	4.2 dB	+1.11/-1.30 dB
Band 1 to Band 2		_____	4.6 dB	+0.98/-1.11 dB
Band 1 to Band 3, <22GHz		_____	4.9 dB	+1.02/-1.15 dB
Band 1 to Band 3, >22GHz		_____	4.6 dB	+1.02/-1.15dB
Band 1 to Band 4		_____	5.3 dB	+1.23/-1.44 dB
Band 1 to Band 5		_____	4.8 dB	+1.23/-1.44 dB
Band 2 to Band 3, <22GHz		_____	5.7 dB	+1.02/-1.16 dB
Band 2 to Band 3, >22GHz		_____	5.4 dB	+1.02/-1.16 dB
Band 2 to Band 4		_____	6.1 dB	+1.23/-1.45 dB
Band 2 to Band 5		_____	5.6 dB	+1.23/-1.45 dB
Band 3, <22 GHz to Band 3, >22 GHz		_____	5.7 dB	+1.06/-1.20 dB
Band 3, <22 GHz to Band 4		_____	6.4 dB	+1.27/-1.49 dB
Band 3, <22 GHz to Band 5		_____	5.9 dB	+1.27/-1.49 dB
Band 3, >22 GHz to Band 4		_____	6.1 dB	+1.27/-1.49 dB
Band 3, >22 GHz to Band 5		_____	5.6 dB	+1.27/-1.49 dB
Band 4 to Band 5		_____	6.3 dB	+1.48/-1.78 dB
42. Frequency Span Accuracy				
1 kHz SPAN	-1%	_____	+1%	±0.24%
2 kHz SPAN	-1%	_____	+1%	±0.24%
5 kHz SPAN	-1%	_____	+1%	±0.24%
10 kHz SPAN	-1%	_____	+1%	±0.24%
20 kHz SPAN	-1%	_____	+1%	±0.24%
50 kHz SPAN	-1%	_____	+1%	±0.24%

8564E/EC Performance Test Record  
**Test Record**

**Table 15-25 Performance Test Record (25 of 27)**

Agilent Technologies	
Select model: 8564E ____ 8564EC ____	Report No. _____
Serial No. _____	Date _____

Test Description	Results			Measurement Uncertainty
	Minimum	Measured	Maximum	
42. Frequency Span Accuracy (continued)				
100 kHz SPAN	-1 %	_____	+1 %	±0.24 %
200 kHz SPAN	-1 %	_____	+1 %	±0.24 %
500 kHz SPAN	-1 %	_____	+1 %	±0.24 %
1 MHz SPAN	-1 %	_____	+1 %	±0.24 %
2 MHz SPAN	-1 %	_____	+1 %	±0.24 %
5 MHz SPAN	-5 %	_____	+5 %	±0.24 %
10 MHz SPAN	-5 %	_____	+5 %	±0.24 %
20 MHz SPAN	-5 %	_____	+5 %	±0.24 %
50 MHz SPAN	-5 %	_____	+5 %	±0.24 %
100 MHz SPAN	-5 %	_____	+5 %	±0.24 %
200 MHz SPAN	-5 %	_____	+5 %	±0.24 %
500 MHz SPAN	-5 %	_____	+5 %	±0.24 %
46. Third Order Intermodulation Distortion				
TOI Distortion, 45 MHz				
Serial Prefix <3641A		_____	-78 dBc	+1.41/-1.43 dB
Serial Prefix ≥3641A		_____	-82 dBc	+1.41/-1.43 dB
Option H13		_____	-82 dBc	+1.41/-1.43 dB
TOI Distortion, 5 GHz		_____	-90 dBc	+2.04/-2.12 dB
TOI Distortion, 8 GHz		_____	-75 dBc	+2.04/-2.12 dB
50. Gain Compression				
Gain Compression, 2 GHz		_____	1 dB	±0.19 dB
Gain Compression, 4 GHz		_____	1 dB	±0.22 dB
Gain Compression, 7 GHz		_____	1 dB	±0.22 dB

**Table 15-26 Performance Test Record (26 of 27)**

Agilent Technologies	
Select model: 8564E ___ 8564EC ___	Report No. _____
Serial No. _____	Date _____

Test Description	Results			Measurement Uncertainty
	Minimum	Measured	Maximum	
52. 1ST LO OUTPUT Amplitude				
Maximum 1ST LO OUTPUT AMPLITUDE		_____	+18.5 dBm	±0.18 dB
Minimum 1ST LO OUTPUT AMPLITUDE	+14.5 dBm	_____		±0.18 dB
53. Sweep Time Accuracy				
50 μs SWEEP TIME <sup>†</sup>	42.5 μs	_____	57.5 μs	±750 ns
100 μs SWEEP TIME <sup>†</sup>	85.0 μs	_____	115 μs	±1.5 μs
200 μs SWEEP TIME <sup>†</sup>	170 μs	_____	230 μs	±3.0 μs
500 μs SWEEP TIME <sup>†</sup>	425 μs	_____	575 μs	±7.5 μs
1 ms SWEEP TIME <sup>†</sup>	850 μs	_____	1.15 ms	±15 μs
2 ms SWEEP TIME <sup>†</sup>	1.70 ms	_____	2.30 ms	±30 μs
5 ms SWEEP TIME <sup>†</sup>	4.25 ms	_____	5.75 ms	±75 μs
10 ms SWEEP TIME <sup>†</sup>	8.50 ms	_____	11.5 ms	±150 μs
20 ms SWEEP TIME <sup>†</sup>	17.0 ms	_____	23.0 ms	±300 μs
30 ms SWEEP TIME	29.7 ms	_____	30.3 ms	±209 ns
50 ms SWEEP TIME	49.5 ms	_____	50.5 ms	±281 ns
100 ms SWEEP TIME	99.0 ms	_____	101.0 ms	±461 ns
200 ms SWEEP TIME	198.0 ms	_____	202.0 ms	±821 ns
500 ms SWEEP TIME	495.0 ms	_____	505.0 ms	±1.901 μs
1 s SWEEP TIME	990.0 ms	_____	1.010 s	±3.7 μs
2 s SWEEP TIME	1.980 s	_____	2.020 s	±7.3 μs
5 s SWEEP TIME	4.950 s	_____	5.050 s	±18.1 μs
10 s SWEEP TIME	9.900 s	_____	10.10 s	±36.1 μs
<sup>†</sup> These entries apply only to E-Series spectrum analyzers without Option 007.				

8564E/EC Performance Test Record  
**Test Record**

**Table 15-27 Performance Test Record (27 of 27)**

Agilent Technologies	
Select model: 8564E ____ 8564EC ____	Report No. _____
Serial No. _____	Date _____

Test Description	Results			Measurement Uncertainty
	Minimum	Measured	Maximum	
53. Sweep Time Accuracy (continued)				
20 s SWEEP TIME	19.80 s	_____	20.20 s	±72.1 μs
50 s SWEEP TIME	49.50 s	_____	50.50 s	±180.1 μs
100 s SWEEP TIME	99.00 s	_____	101.0 s	±360.1 μs
56. Residual Responses				
200 kHz to 2.9 GHz		_____	-90 dBm	+1.24/-1.37 dB
2.9 GHz to 6.5 GHz		_____	-90 dBm	+1.24/-1.37 dB
57. IF INPUT Amplitude Accuracy (Non-Option 327 only)				
IF INPUT Amplitude	-31.5 dBm	_____	-28.5 dBm	+0.40/-0.44 dB
58. Gate Delay Accuracy and Gate Length Accuracy				
MIN Gate Delay	2.0000 μs	_____	4.0000 μs	±21 ns
MAX Gate Delay	2.0000 μs	_____	4.0000 μs	±21 ns
1 μs Gate Length	0.0000 ns	_____	2.0000 μs	±11 ns
65 ms Gate Length	64.999 ms	_____	65.001 ms	±752 ns
59. Delayed Sweep Accuracy				
1000 μs	999 μs	_____	1001 μs	±114 ns
2000 μs	1999 μs	_____	2001 μs	±124 ns
5000 μs	4999 μs	_____	5001 μs	±154 ns
10000 μs	9999 μs	_____	10001 μs	±204 ns
20000 μs	19999 μs	_____	20001 μs	±304 ns
50000 μs	49999 μs	_____	50001 μs	±604 ns
65000 μs	64999 μs	_____	65001 μs	±754 ns



## Test Record

**Table 16-1 8565E/EC Performance Test Record**

Agilent Technologies		Report No. _____
Address: _____		Date _____
_____		(e.g. 10 SEP 1989)
Select model: 8565E ___ 8565EC ___		
Serial No. _____	Options _____	
Firmware Revision _____		
Customer _____		Tested by _____
Ambient temperature _____ °C		Relative humidity _____ %
Power mains line frequency _____ Hz (nominal)		
<b>Test Equipment Used</b>		
<b>Description</b>	<b>Model No.</b>	<b>Trace No.</b>
<b>Cal Due Date</b>		
Synthesized Sweeper #1	_____	_____
Synthesized Sweeper #2	_____	_____
Synthesized Signal Generator	_____	_____
Synthesizer/Level Generator	_____	_____
Frequency Standard	_____	_____
Measuring Receiver	_____	_____
RF Power Sensor	_____	_____
Low-Power Power Sensor	_____	_____
Microwave Power Sensor	_____	_____
Millimeter Power Sensor	_____	_____
Pulse/Function Generator	_____	_____
Microwave Frequency Counter	_____	_____
Universal Frequency Counter	_____	_____
Oscilloscope	_____	_____
Amplifier	_____	_____
Power Splitter	_____	_____
1.8 GHz Low-Pass Filter	_____	_____
4.4 GHz Low-Pass Filter	_____	_____
50 MHz Low-Pass Filter	_____	_____
50 Ω Termination	_____	_____
20 dB Fixed Attenuator	_____	_____
10 dB Fixed Attenuator	_____	_____
20 dB Fixed Attenuator	_____	_____
1 dB Fixed Attenuator	_____	_____
DVM	_____	_____
Function Generator	_____	_____
Notes/Comments: _____		
_____		

**Table 16-2 Performance Test Record (2 of 28)**

Agilent Technologies	
Select model: 8565E ___ 8565EC ___	Report No. _____
Serial No. _____	Date _____

Test Description	Results			Measurement Uncertainty
	Minimum	Measured	Maximum	
1. 10 MHz Reference Output Accuracy (Non-Option 103)				
5-minute Warm-up Error (0 °C to +55 °C)	$-1 \times 10^{-7}$	_____	$+1 \times 10^{-7}$	$\pm 2.004 \times 10^{-9}$
5-minute Warm-up Error (-10 °C to 0 °C)	$-1 \times 10^{-6}$	_____	$+1 \times 10^{-6}$	$\pm 2.004 \times 10^{-9}$
15-minute Warm-up Error	$-1 \times 10^{-8}$	_____	$+1 \times 10^{-8}$	$\pm 2.003 \times 10^{-9}$
2. 10 MHz Reference Output Accuracy (Option 103)				
Calibrator Frequency	299.9988 MHz	_____	300.0012 MHz	$\pm 55.75$ Hz
3. Fast Sweep Time Accuracy (EC-Series and E-Series with Option 007)	299.700 MHz	_____	300.300 MHz	$\pm 55.75$ Hz
4. Calibrator Amplitude Accy				
Calibrator Amplitude	-10.30 dBm	_____	+9.70 dB	$\pm 0.12$ dB
10. Displayed Average Noise Level				
Non-Option 103:				
30 Hz (Option 006)		_____	-90 dBm	+1.24/-1.37 dB
1 kHz (Option 006)		_____	-105 dBm	+1.24/-1.37 dB
10 kHz		_____	-120 dBm	+1.24/-1.37 dB
100 kHz		_____	-120 dBm	+1.24/-1.37 dB
1 MHz to 10 MHz		_____	-140 dBm	+1.24/-1.37 dB
10 MHz to 2.9 GHz		_____		
Serial Prefix <3641A		_____	-140 dBm	+1.24/-1.37 dB
Serial Prefix $\geq 3641A$		_____	-145 dBm	+1.24/-1.37 dB
Option H13		_____	-145 dBm	+1.24/-1.37 dB
2.9 GHz to 6.46 GHz		_____	-147 dBm	+1.24/-1.37 dB
6.46 GHz to 13.2 GHz		_____	-143 dBm	+1.24/-1.37 dB

8565E/EC Performance Test Record  
Test Record

**Table 16-3 Performance Test Record (3 of 28)**

Agilent Technologies	
Select model: 8565E ____ 8565EC ____	Report No. _____
Serial No. _____	Date _____

Test Description	Results			Measurement Uncertainty
	Minimum	Measured	Maximum	
10. DANL (continued)				
13.2 GHz to 22.0 GHz		_____	-140 dBm	+1.24/-1.37 dB
22.0 GHz to 26.8 GHz		_____	-136 dBm	+1.24/-1.37 dB
26.8 GHz to 31.15 GHz		_____	-139 dBm	+1.24/-1.37 dB
31.15 GHz to 40 GHz		_____	-130 dBm	+1.24/-1.37 dB
40 GHz to 50 GHz		_____	-127 dBm	+1.24/-1.37 dB
Option 103:				
30 Hz (Option 006)		_____	-80 dBm	+1.24/-1.37 dB
1 kHz (Option 006)		_____	-95 dBm	+1.24/-1.37 dB
10 kHz		_____	-110 dBm	+1.24/-1.37 dB
100 kHz		_____	-110 dBm	+1.24/-1.37 dB
1 MHz to 10 MHz		_____	-130 dBm	+1.24/-1.37 dB
10 MHz to 2.9 GHz				
Serial Prefix <3641A		_____	-130 dBm	+1.24/-1.37 dB
Serial Prefix ≥3641A		_____	-135 dBm	+1.24/-1.37 dB
Option H13		_____	-135 dBm	+1.24/-1.37 dB
2.9 GHz to 6.46 GHz		_____	-137 dBm	+1.24/-1.37 dB
6.46 GHz to 13.2 GHz		_____	-133 dBm	+1.24/-1.37 dB
13.2 GHz to 22.0 GHz		_____	-130 dBm	+1.24/-1.37 dB
22.0 GHz to 26.8 GHz		_____	-126 dBm	+1.24/-1.37 dB
26.8 GHz to 31.15 GHz		_____	-129 dBm	+1.24/-1.37 dB
31.15 GHz to 40 GHz		_____	-120 dBm	+1.24/-1.37 dB
40 GHz to 50 GHz		_____	-117 dBm	+1.24/-1.37 dB
11. Resolution Bandwidth Switching and IF Alignment Uncertainty				
2 MHz RES BW	-0.5 dB	_____	+0.5 dB	±0.10 dB
1 MHz RES BW	-0.5 dB	_____	+0.5 dB	±0.10 dB
100 kHz RES BW	-0.5 dB	_____	+0.5 dB	±0.10dB



**Table 16-4 Performance Test Record (4 of 28)**

Agilent Technologies	
Select model: 8565E ___ 8565EC ___	Report No. _____
Serial No. _____	Date _____

Test Description	Results			Measurement Uncertainty
	Minimum	Measured	Maximum	
11. Resolution Bandwidth Switching and IF Alignment Uncertainty (continued)				
30 kHz RES BW	-0.5 dB	_____	+0.5 dB	±0.10 dB
10 kHz RES BW	-0.5 dB	_____	+0.5 dB	±0.10 dB
3 kHz RES BW	-0.5 dB	_____	+0.5 dB	±0.10 dB
1 kHz RES BW	-0.5 dB	_____	+0.5 dB	±0.10 dB
300 Hz RES BW	-1.0 dB	_____	+1.0 dB	±0.10 dB
100 Hz RES BW	-0.5 dB	_____	+0.5 dB	±0.10 dB
30 Hz RES BW	-0.5 dB	_____	+0.5 dB	±0.10 dB
10 Hz RES BW	-0.5 dB	_____	+0.5 dB	±0.10 dB
3 Hz RES BW*	-0.5 dB	_____	+0.5 dB	±0.10 dB
1 Hz RES BW*	-0.5 dB	_____	+0.5 dB	±0.10 dB
12. Resolution Bandwidth Accuracy and Selectivity				
3 dB Bandwidth Accuracy				
2 MHz RES BW	-25%	_____	+50%	±1.33%
1 MHz RES BW	-25%	_____	+25%	±1.33%
300 kHz RES BW	-10%	_____	+10%	±1.33%
100 kHz RES BW	-10%	_____	+10%	±1.33%
30 kHz RES BW	-10%	_____	+10%	±1.33%
10 kHz RES BW	-10%	_____	+10%	±1.33%
3 kHz RES BW	-10%	_____	+10%	±1.33%
1 kHz RES BW	-10%	_____	+10%	±1.33%
300 Hz RES BW	-10%	_____	+10%	±1.33%
Selectivity				
2 MHz RES BW		_____	15:1	±2.89%
1 MHz RES BW		_____	15:1	±2.89%
* 3 Hz and 1 Hz RES BW not available with Option 103.				

**Table 16-5 Performance Test Record (5 of 28)**

Agilent Technologies	
Select model: 8565E ____ 8565EC ____	Report No. _____
Serial No. _____	Date _____

Test Description	Results			Measurement Uncertainty
	Minimum	Measured	Maximum	
12. Resolution Bandwidth Accuracy and Selectivity (continued)				
Selectivity (cont'd)				
300 kHz RES BW		_____	15:1	±2.89%
100 kHz RES BW		_____	15:1	±2.89%
30 kHz RES BW		_____	15:1	±2.89%
10 kHz RES BW		_____	15:1	±2.89%
3 kHz RES BW		_____	15:1	±2.89%
1 kHz RES BW		_____	15:1	±2.89%
300 Hz RES BW		_____	15:1	±2.89%
14. Input Attenuator Switching Uncertainty				
Cumulative, 50 MHz				
20 dB ATTEN	-0.6 dB	_____	+0.6 dB	±0.12 dB
30 dB ATTEN	-1.2 dB	_____	+1.2 dB	±0.12 dB
40 dB ATTEN	-1.8 dB	_____	+1.8 dB	±0.12 dB
50 dB ATTEN	-1.8 dB	_____	+1.8 dB	±0.14 dB
60 dB ATTEN	-1.8 dB	_____	+1.8 dB	±0.14 dB
Incremental, 50 MHz				
20 dB ATTEN	-0.6 dB	_____	+0.6 dB	±0.12 dB
30 dB ATTEN	-0.6 dB	_____	+0.6 dB	±0.12 dB
40 dB ATTEN	-0.6 dB	_____	+0.6 dB	±0.12 dB
50 dB ATTEN	-0.6 dB	_____	+0.6 dB	±0.14 dB
60 dB ATTEN	-0.6 dB	_____	+0.6 dB	±0.14 dB
Cumulative, 2.9 GHz				
20 dB ATTEN	-0.6 dB	_____	+0.6 dB	±0.23 dB
30 dB ATTEN	-1.2 dB	_____	+1.2 dB	±0.23 dB

**Table 16-6 Performance Test Record (6 of 28)**

Agilent Technologies	
Select model: 8565E ___ 8565EC ___	Report No. _____
Serial No. _____	Date _____

Test Description	Results			Measurement Uncertainty
	Minimum	Measured	Maximum	
14. Input Attenuator Switching Uncertainty (continued)				
Cumulative, 2.9 GHz (cont'd)				
40 dB ATTEN	-1.8 dB	_____	+1.8 dB	±0.23 dB
50 dB ATTEN	-1.8 dB	_____	+1.8 dB	±0.23 dB
60 dB ATTEN	-1.8 dB	_____	+1.8 dB	+0.24/-0.25 dB
Incremental, 2.9 GHz				
20 dB ATTEN	-0.6 dB	_____	+0.6 dB	±0.23 dB
30 dB ATTEN	-0.6 dB	_____	+0.6 dB	±0.23 dB
40 dB ATTEN	-0.6 dB	_____	+0.6 dB	±0.23 dB
50 dB ATTEN	-0.6 dB	_____	+0.6 dB	±0.23 dB
60 dB ATTEN	-0.6 dB	_____	+0.6 dB	+0.24/-0.25 dB
15. IF Gain Uncertainty				
LOG, 10 dB steps				
-10 dBm REF LVL	-1.0 dB	_____	+1.0 dB	±0.11 dB
-20 dBm REF LVL	-1.0 dB	_____	+1.0 dB	±0.11 dB
-30 dBm REF LVL	-1.0 dB	_____	+1.0 dB	±0.11 dB
-40 dBm REF LVL	-1.0 dB	_____	+1.0 dB	±0.11 dB
-50 dBm REF LVL	-1.0 dB	_____	+1.0 dB	±0.11 dB
-60 dBm REF LVL	-1.0 dB	_____	+1.0 dB	±0.12 dB
-70 dBm REF LVL	-1.0 dB	_____	+1.0 dB	±0.12 dB
-80 dBm REF LVL	-1.0 dB	_____	+1.0 dB	±0.12 dB
LOG, 1 dB steps				
-1 dBm REF LVL	-1.0 dB	_____	+1.0 dB	±0.11 dB
-2 dBm REF LVL	-1.0 dB	_____	+1.0 dB	±0.11 dB
-3 dBm REF LVL	-1.0 dB	_____	+1.0 dB	±0.11 dB

**Table 16-7 Performance Test Record (7 of 28)**

Agilent Technologies	
Select model: 8565E ____ 8565EC ____	Report No. _____
Serial No. _____	Date _____

Test Description	Results			Measurement Uncertainty
	Minimum	Measured	Maximum	
15. IF Gain Uncertainty (continued)				
LOG, 1 dB steps (cont'd)				
-4 dBm REF LVL	-1.0 dB	_____	+1.0 dB	±0.11 dB
-5 dBm REF LVL	-1.0 dB	_____	+1.0 dB	±0.11 dB
-6 dBm REF LVL	-1.0 dB	_____	+1.0 dB	±0.11 dB
-7 dBm REF LVL	-1.0 dB	_____	+1.0 dB	±0.11 dB
-8 dBm REF LVL	-1.0 dB	_____	+1.0 dB	±0.11 dB
-9 dBm REF LVL	-1.0 dB	_____	+1.0 dB	±0.11 dB
-10 dBm REF LVL	-1.0 dB	_____	+1.0 dB	±0.11 dB
-11 dBm REF LVL	-1.0 dB	_____	+1.0 dB	±0.11 dB
-12 dBm REF LVL	-1.0 dB	_____	+1.0 dB	±0.11 dB
LINEAR, 10 dB steps				
-10 dBm REF LVL	-1.0 dB	_____	+1.0 dB	±0.11 dB
-20 dBm REF LVL	-1.0 dB	_____	+1.0 dB	±0.11 dB
-30 dBm REF LVL	-1.0 dB	_____	+1.0 dB	±0.11 dB
-40 dBm REF LVL	-1.0 dB	_____	+1.0 dB	±0.11 dB
-50 dBm REF LVL	-1.0 dB	_____	+1.0 dB	±0.11 dB
-60 dBm REF LVL	-1.0 dB	_____	+1.0 dB	±0.12 dB
-70 dBm REF LVL	-1.0 dB	_____	+1.0 dB	±0.12 dB
-80 dBm REF LVL	-1.0 dB	_____	+1.0 dB	±0.12 dB
16. Scale Fidelity				
Cumulative, 10 dB/Div,				
RES BW ≥300 Hz				
-6 dB from REF LVL	-0.60 dB	_____	+0.60 dB	±0.24 dB
-12 dB from REF LVL	-0.85 dB	_____	+0.85 dB	±0.24 dB
-18 dB from REF LVL	-0.85 dB	_____	+0.85 dB	±0.24 dB
-24 dB from REF LVL	-0.85 dB	_____	+0.85 dB	±0.24 dB

**Table 16-8 Performance Test Record (8 of 28)**

Agilent Technologies	
Select model: 8565E ___ 8565EC ___	Report No. _____
Serial No. _____	Date _____

Test Description	Results			Measurement Uncertainty
	Minimum	Measured	Maximum	
16. Scale Fidelity (continued)				
Cumulative, 10 dB/Div, (cont'd)				
RES BW $\geq$ 300 Hz (cont'd)				
-30 dB from REF LVL	-0.85 dB	_____	+0.85 dB	$\pm$ 0.24 dB
-36 dB from REF LVL	-0.85 dB	_____	+0.85 dB	$\pm$ 0.24 dB
-42 dB from REF LVL	-0.85 dB	_____	+0.85 dB	$\pm$ 0.24 dB
-48 dB from REF LVL	-0.85 dB	_____	+0.85 dB	$\pm$ 0.24 dB
-54 dB from REF LVL	-0.85 dB	_____	+0.85 dB	$\pm$ 0.24 dB
-60 dB from REF LVL	-0.85 dB	_____	+0.85 dB	+0.25/-0.26 dB
-66 dB from REF LVL	-0.85 dB	_____	+0.85 dB	+0.25/-0.26 dB
-72 dB from REF LVL	-0.85 dB	_____	+0.85 dB	+0.25/-0.26 dB
-78 dB from REF LVL	-0.85 dB	_____	+0.85 dB	+0.25/-0.26 dB
-84 dB from REF LVL	-0.85 dB	_____	+0.85 dB	+0.25/-0.26 dB
-90 dB from REF LVL	-0.85 dB	_____	+0.85 dB	+0.25/-0.26 dB
Incremental, 10 dB/Div, RES BW $\geq$ 300 Hz				
-12 dB from REF LVL	-0.10 dB	_____	+0.10 dB	$\pm$ 0.04 dB
-18 dB from REF LVL	-0.10 dB	_____	+0.10 dB	$\pm$ 0.04 dB
-24 dB from REF LVL	-0.10 dB	_____	+0.10 dB	$\pm$ 0.04 dB
-30 dB from REF LVL	-0.10 dB	_____	+0.10 dB	$\pm$ 0.04 dB
-36 dB from REF LVL	-0.10 dB	_____	+0.10 dB	$\pm$ 0.04 dB
-42 dB from REF LVL	-0.10 dB	_____	+0.10 dB	$\pm$ 0.04 dB
-48 dB from REF LVL	-0.10 dB	_____	+0.10 dB	$\pm$ 0.04 dB
-54 dB from REF LVL	-0.10 dB	_____	+0.10 dB	$\pm$ 0.04 dB
-60 dB from REF LVL	-0.10 dB	_____	+0.10 dB	$\pm$ 0.04 dB
-66 dB from REF LVL	-0.10 dB	_____	+0.10 dB	$\pm$ 0.04 dB
-72 dB from REF LVL	-0.10 dB	_____	+0.10 dB	$\pm$ 0.05 dB

8565E/EC Performance Test Record  
**Test Record**

**Table 16-9 Performance Test Record (9 of 28)**

Agilent Technologies	
Select model: 8565E ____ 8565EC ____	Report No. _____
Serial No. _____	Date _____

Test Description	Results			Measurement Uncertainty
	Minimum	Measured	Maximum	
16. Scale Fidelity (continued)				
Incremental, 10 dB/Div,				
RES BW ≥300 Hz (cont'd)				
-78 dB from REF LVL	-0.10 dB	_____	+0.10 dB	±0.05 dB
-84 dB from REF LVL	-0.10 dB	_____	+0.10 dB	±0.05 dB
-90 dB from REF LVL	-0.10 dB	_____	+0.10 dB	±0.05 dB
Cumulative, 10 dB/Div,				
RES BW ≤100 Hz				
-6 dB from REF LVL	-0.60 dB	_____	+0.60 dB	±0.24 dB
-12 dB from REF LVL	-0.85 dB	_____	+0.85 dB	±0.24 dB
-18 dB from REF LVL	-0.85 dB	_____	+0.85 dB	±0.24 dB
-24 dB from REF LVL	-0.85 dB	_____	+0.85 dB	±0.24 dB
-30 dB from REF LVL	-0.85 dB	_____	+0.85 dB	±0.24 dB
-36 dB from REF LVL	-0.85 dB	_____	+0.85 dB	±0.24 dB
-42 dB from REF LVL	-0.85 dB	_____	+0.85 dB	±0.24 dB
-48 dB from REF LVL	-0.85 dB	_____	+0.85 dB	±0.24 dB
-54 dB from REF LVL	-0.85 dB	_____	+0.85 dB	±0.24 dB
-60 dB from REF LVL	-0.85 dB	_____	+0.85 dB	+0.25/-0.26 dB
-66 dB from REF LVL	-0.85 dB	_____	+0.85 dB	+0.25/-0.26 dB
-72 dB from REF LVL	-0.85 dB	_____	+0.85 dB	+0.25/-0.26 dB
-78 dB from REF LVL	-0.85 dB	_____	+0.85 dB	+0.25/-0.26 dB
-84 dB from REF LVL	-0.85 dB	_____	+0.85 dB	+0.25/-0.26 dB
-90 dB from REF LVL	-0.85 dB	_____	+0.85 dB	+0.25/-0.26 dB
-94 dB from REF LVL	-1.50 dB	_____	+1.50 dB	+0.25/-0.26 dB
-98 dB from REF LVL	-1.50 dB	_____	+1.50 dB	+0.25/-0.26 dB

**Table 16-10 Performance Test Record (10 of 28)**

Agilent Technologies	
Select model: 8565E ___ 8565EC ___	Report No. _____
Serial No. _____	Date _____

Test Description	Results			Measurement Uncertainty
	Minimum	Measured	Maximum	
16. Scale Fidelity (continued)				
Incremental, 10 dB/Div, RES BW ≤100 Hz				
-12 dB from REF LVL	-0.20 dB	_____	+0.20 dB	±0.04 dB
-18 dB from REF LVL	-0.20 dB	_____	+0.20 dB	±0.04 dB
-24 dB from REF LVL	-0.20 dB	_____	+0.20 dB	±0.04 dB
-30 dB from REF LVL	-0.20 dB	_____	+0.20 dB	±0.04 dB
-36 dB from REF LVL	-0.20 dB	_____	+0.20 dB	±0.04 dB
-42 dB from REF LVL	-0.20 dB	_____	+0.20 dB	±0.04 dB
-48 dB from REF LVL	-0.20 dB	_____	+0.20 dB	±0.04 dB
-54 dB from REF LVL	-0.20 dB	_____	+0.20 dB	±0.04 dB
-60 dB from REF LVL	-0.20 dB	_____	+0.20 dB	±0.04 dB
-66 dB from REF LVL	-0.20 dB	_____	+0.20 dB	±0.04 dB
-72 dB from REF LVL	-0.20 dB	_____	+0.20 dB	±0.05 dB
-78 dB from REF LVL	-0.20 dB	_____	+0.20 dB	±0.05 dB
-84 dB from REF LVL	-0.20 dB	_____	+0.20 dB	±0.05 dB
-90 dB from REF LVL	-0.20 dB	_____	+0.20 dB	±0.05 dB
Cumulative, 2 dB/Div				
-2 dB from REF LVL	-0.20 dB	_____	+0.20 dB	±0.053 dB
-4 dB from REF LVL	-0.40 dB	_____	+0.40 dB	±0.053 dB
-6 dB from REF LVL	-0.60 dB	_____	+0.60 dB	±0.053 dB
-8 dB from REF LVL	-0.80 dB	_____	+0.80 dB	±0.053 dB
-10 dB from REF LVL	-0.85 dB	_____	+0.85 dB	±0.053 dB
-12 dB from REF LVL	-0.85 dB	_____	+0.85 dB	±0.053 dB
-14 dB from REF LVL	-0.85 dB	_____	+0.85 dB	±0.053 dB
-16 dB from REF LVL	-0.85 dB	_____	+0.85 dB	±0.053 dB
-18 dB from REF LVL	-0.85 dB	_____	+0.85 dB	±0.053 dB

8565E/EC Performance Test Record  
Test Record

**Table 16-11 Performance Test Record (11 of 28)**

Agilent Technologies	
Select model: 8565E ____ 8565EC ____	Report No. _____
Serial No. _____	Date _____

Test Description	Results			Measurement Uncertainty
	Minimum	Measured	Maximum	
16. Scale Fidelity (continued)				
Incremental, 2 dB/Div				
-2 dB from REF LVL	-0.10 dB	_____	+0.10 dB	±0.04 dB
-4 dB from REF LVL	-0.10 dB	_____	+0.10 dB	±0.04 dB
-6 dB from REF LVL	-0.10 dB	_____	+0.10 dB	±0.04 dB
-8 dB from REF LVL	-0.10 dB	_____	+0.10 dB	±0.04 dB
-10 dB from REF LVL	-0.10 dB	_____	+0.10 dB	±0.04 dB
-12 dB from REF LVL	-0.10 dB	_____	+0.10 dB	±0.04 dB
-14 dB from REF LVL	-0.10 dB	_____	+0.10 dB	±0.04 dB
-16 dB from REF LVL	-0.10 dB	_____	+0.10 dB	±0.04 dB
-18 dB from REF LVL	-0.10 dB	_____	+0.10 dB	±0.04 dB
Linear				
-2 dB from REF LVL	-2.33 dB	_____	-1.68 dB	±0.04 dB
-4 dB from REF LVL	-4.42 dB	_____	-3.60 dB	±0.04 dB
-6 dB from REF LVL	-6.54 dB	_____	-5.50 dB	±0.04 dB
-8 dB from REF LVL	-8.68 dB	_____	-7.37 dB	±0.04 dB
-10 dB from REF LVL	-10.87 dB	_____	-9.21 dB	±0.04 dB
-12 dB from REF LVL	-13.10 dB	_____	-11.02 dB	±0.04 dB
-14 dB from REF LVL	-15.42 dB	_____	-12.78 dB	±0.04 dB
-16 dB from REF LVL	-17.82 dB	_____	-14.49 dB	±0.04 dB
-18 dB from REF LVL	-20.36 dB	_____	-16.14 dB	±0.04 dB
17. Residual FM				
Non-Option 103		_____	1 Hz	±0.2 Hz
Option 103		_____	10 Hz	±0.8 Hz



**Table 16-12 Performance Test Record (12 of 28)**

Agilent Technologies	
Select model: 8565E ___ 8565EC ___	Report No. _____
Serial No. _____	Date _____

Test Description	Results			Measurement Uncertainty
	Minimum	Measured	Maximum	
19. Noise Sidebands				
Non-Option 103				
+100 Hz offset (serial prefix <3510A)		_____	-80 dBc/Hz	+1.22/-1.34 dB
+100 Hz offset (serial prefix ≥3510A)		_____	-88 dBc/Hz	+1.22/-1.34 dB
-100 Hz offset (serial prefix <3510A)		_____	-80 dBc/Hz	+1.22/-1.34 dB
-100 Hz offset (serial prefix ≥3510A)		_____	-88 dBc/Hz	+1.22/-1.34 dB
+1 kHz offset		_____	-97 dBc/Hz	+1.22/-1.34 dB
-1 kHz offset		_____	-97 dBc/Hz	+1.22/-1.34 dB
+10 kHz offset		_____	-113 dBc/Hz	+1.22/-1.34 dB
-10 kHz offset		_____	-113 dBc/Hz	+1.22/-1.34 dB
+30 kHz offset		_____	N/A*	+1.22/-1.34 dB
-30 kHz offset		_____	N/A*	+1.22/-1.34 dB
+100 kHz offset (serial prefix <3510A)		_____	-116 dBc/Hz	+1.22/-1.34 dB
+100 kHz offset (serial prefix ≥3510A)		_____	-117 dBc/Hz	+1.22/-1.34 dB
-100 kHz offset (serial prefix <3510A)		_____	-116 dBc/Hz	+1.22/-1.34 dB
-100 kHz offset (serial prefix ≥3510A)		_____	-117 dBc/Hz	+1.22/-1.34 dB
Option 103				
+100 Hz offset		_____	-70 dBc/Hz	+1.22/-1.34 dB
-100 Hz offset		_____	-70 dBc/Hz	+1.22/-1.34 dB
+1 kHz offset		_____	-90 dBc/Hz	+1.22/-1.34 dB
-1 kHz offset		_____	-90 dBc/Hz	+1.22/-1.34 dB
+10 kHz offset		_____	-113 dBc/Hz	+1.22/-1.34 dB

\* Noise sidebands are not specified at ±30 kHz offset; measurement is for characterization only.

**Table 16-13 Performance Test Record (13 of 28)**

Agilent Technologies	
Select model: 8565E ____ 8565EC ____	Report No. _____
Serial No. _____	Date _____

Test Description	Results			Measurement Uncertainty
	Minimum	Measured	Maximum	
19. Noise Sidebands (continued) Option 103 (cont'd)				
-10 kHz offset		_____	-113 dBc/Hz	+1.22/-1.34 dB
+30 kHz offset		_____	N/A*	+1.22/-1.34 dB
-30 kHz offset		_____	N/A*	+1.22/-1.34 dB
+100 kHz offset (serial prefix <3510A)		_____	-116 dBc/Hz	+1.22/-1.34 dB
+100 kHz offset (serial prefix ≥3510A)		_____	-117 dBc/Hz	+1.22/-1.34 dB
-100 kHz offset (serial prefix <3510A)		_____	-116 dBc/Hz	+1.22/-1.34 dB
-100 kHz offset (serial prefix ≥3510A)		_____	-117 dBc/Hz	+1.22/-1.34 dB
25. Image, Multiple, and Out-of-Range Responses				
2 GHz CENTER FREQ				
2021.4 MHz		_____	-80 dBc	+0.8/-1.0 dB
2621.4 MHz		_____	-80 dBc	+0.8/-1.0 dB
2321.4 MHz		_____	-80 dBc	+0.8/-1.0 dB
2600.0 MHz		_____	-80 dBc	+0.8/-1.0 dB
7910.7 MHz		_____	-80 dBc	+0.8/-1.0 dB
9821.4 MHz		_____	-80 dBc	+0.8/-1.0 dB
4 GHz CENTER FREQ				
4021.4 MHz		_____	-80 dBc	+0.8/-1.0 dB
4621.4 MHz		_____	-80 dBc	+0.8/-1.0 dB
4321.4 MHz		_____	-80 dBc	+0.8/-1.0 dB
4600.0 MHz		_____	-80 dBc	+0.8/-1.0 dB
* Noise sidebands are not specified at ±30 kHz offset; measurement is for characterization only.				

**Table 16-14 Performance Test Record (14 of 28)**

Agilent Technologies	
Select model: 8565E ___ 8565EC ___	Report No. _____
Serial No. _____	Date _____

Test Description	Results			Measurement Uncertainty
	Minimum	Measured	Maximum	
25. Image, Multiple, and Out-of-Range Responses (continued)				
4 GHz CENTER FREQ (cont'd)				
8310.7 MHz		_____	-80 dBc	+0.8/-1.0 dB
8932.1 MHz		_____	-80 dBc	+0.8/-1.0 dB
9 GHz CENTER FREQ				
9021.4 MHz		_____	-80 dBc	+0.8/-1.0 dB
9621.4 MHz		_____	-80 dBc	+0.8/-1.0 dB
9321.4 MHz		_____	-80 dBc	+0.8/-1.0 dB
9600.0 MHz		_____	-80 dBc	+0.8/-1.0 dB
18310.7 MHz		_____	-80 dBc	+0.8/-1.0 dB
18932.1 MHz		_____	-80 dBc	+0.8/-1.0 dB
15 GHz CENTER FREQ				
15021.400 MHz		_____	-80 dBc	+0.9/-1.1 dB
15621.400 MHz		_____	-80 dBc	+0.9/-1.1 dB
22655.350 MHz		_____	-80 dBc	+0.9/-1.1 dB
23276.750 MHz		_____	-80 dBc	+0.9/-1.1 dB
7344.650 MHz		_____	-80 dBc	+0.9/-1.1 dB
7966.050 MHz		_____	-80 dBc	+0.9/-1.1 dB
20 GHz CENTER FREQ				
20021.400 MHz		_____	-80 dBc	+0.9/-1.1 dB
20621.400 MHz		_____	-80 dBc	+0.9/-1.1 dB
15543.725 MHz		_____	-80 dBc	+0.9/-1.1 dB
25699.075 MHz		_____	-80 dBc	+0.9/-1.1 dB
9844.650 MHz		_____	-80 dBc	+0.9/-1.1 dB
10466.050 MHz		_____	-80 dBc	+0.9/-1.1 dB

8565E/EC Performance Test Record  
**Test Record**

**Table 16-15 Performance Test Record (15 of 28)**

Agilent Technologies	
Select model: 8565E ____ 8565EC ____	Report No. _____
Serial No. _____	Date _____

Test Description	Results			Measurement Uncertainty
	Minimum	Measured	Maximum	
25. Image, Multiple, and Out-of-Range Responses (continued)				
29 GHz CENTER FREQ				
28378.600 MHz		_____	-60 dBc	+0.88/-0.96 dB
28978.600 MHz		_____	-60 dBc	+0.88/-0.96 dB
24450.925 MHz		_____	-55 dBc	+0.88/-0.96 dB
28700.000 MHz		_____	-55 dBc	+0.88/-0.96 dB
16455.350 MHz		_____	-55 dBc	+0.88/-0.96 dB
35272.325 MHz		_____	-55 dBc	+0.88/-0.96 dB
35 GHz CENTER FREQ				
35021.400 MHz		_____	-60 dBc	+0.88/-0.96 dB
35621.400 MHz		_____	-60 dBc	+0.88/-0.96 dB
33093.725 MHz		_____	-55 dBc	+0.88/-0.96 dB
35321.400 MHz		_____	-55 dBc	+0.88/-0.96 dB
8744.538 MHz		_____	-55 dBc	+0.88/-0.96 dB
15544.650 MHz		_____	-55 dBc	+0.88/-0.96 dB
45 GHz CENTER FREQ				
45021.400 MHz		_____	-60 dBc	+0.94/-1.07 dB
45621.400 MHz		_____	-60 dBc	+0.94/-1.07 dB
34479.888 MHz		_____	-55 dBc	+0.94/-1.07 dB
40593.725 MHz		_____	-55 dBc	+0.94/-1.07 dB
8316.975 MHz		_____	-55 dBc	+0.94/-1.07 dB
20544.650 MHz		_____	-55 dBc	+0.94/-1.07 dB

**Table 16-16 Performance Test Record (16 of 28)**

Agilent Technologies	
Select model: 8565E ___ 8565EC ___	Report No. _____
Serial No. _____	Date _____

Test Description	Results			Measurement Uncertainty
	Minimum	Measured	Maximum	
31. Frequency Readout Accuracy and Frequency Count Marker Accuracy				
Frequency Readout Accuracy:				
1.5 GHz CENTER FREQ				
1 MHz SPAN	1.499988GHz	_____	1.500012GHz	±1 Hz
10 MHz SPAN	1.49948 GHz	_____	1.50052 GHz	±1 Hz
20 MHz SPAN	1.49895 GHz	_____	1.50105 GHz	±1 Hz
50 MHz SPAN	1.49745 GHz	_____	1.50255 GHz	±1 Hz
100 MHz SPAN	1.4948 GHz	_____	1.5052 GHz	±1 Hz
1 GHz SPAN	1.450 GHz	_____	1.550 GHz	±1 Hz
4.0 GHz CENTER FREQ				
1 MHz SPAN	3.999988GHz	_____	4.000012GHz	±1 Hz
10 MHz SPAN	3.99948 GHz	_____	4.00052 GHz	±1 Hz
20 MHz SPAN	3.99895 GHz	_____	4.00105 GHz	±1 Hz
50 MHz SPAN	3.99745 GHz	_____	4.00255 GHz	±1 Hz
100 MHz SPAN	3.9948 GHz	_____	4.0052 GHz	±1 Hz
1 GHz SPAN	3.950 GHz	_____	4.050 GHz	±1 Hz
9.0 GHz CENTER FREQ				
1 MHz SPAN	8.999988GHz	_____	9.000012GHz	±2 Hz
10 MHz SPAN	8.99948 GHz	_____	9.00052 GHz	±2 Hz
20 MHz SPAN	8.99895 GHz	_____	9.00105 GHz	±2 Hz
50 MHz SPAN	8.99745 GHz	_____	9.00255 GHz	±2 Hz
100 MHz SPAN	8.9948 GHz	_____	9.0052 GHz	±2 Hz
1 GHz SPAN	8.950 GHz	_____	9.050 GHz	±2 Hz

8565E/EC Performance Test Record  
**Test Record**

**Table 16-17 Performance Test Record (17 of 28)**

Agilent Technologies	
Select model: 8565E ____ 8565EC ____	Report No. _____
Serial No. _____	Date _____

Test Description	Results			Measurement Uncertainty
	Minimum	Measured	Maximum	
31. Frequency Readout Accuracy and Frequency Count Marker Accuracy (continued)				
Frequency Readout Accuracy: (cont'd)				
16.0 GHz CENTER FREQ				
1 MHz SPAN	15.999988GHz	_____	16.000012GHz	±3 Hz
10 MHz SPAN	15.99948 GHz	_____	16.00052 GHz	±3 Hz
20 MHz SPAN	15.99895 GHz	_____	16.00105 GHz	±3 Hz
50 MHz SPAN	15.99745 GHz	_____	16.00255 GHz	±3 Hz
100 MHz SPAN	15.9948 GHz	_____	16.0052 GHz	±3 Hz
1 GHz SPAN	15.950 GHz	_____	16.050 GHz	±3 Hz
21.0 GHz CENTER FREQ				
1 MHz SPAN	20.999988GHz	_____	21.000012GHz	±4 Hz
10 MHz SPAN	20.99948 GHz	_____	21.00052 GHz	±4 Hz
20 MHz SPAN	20.99895 GHz	_____	21.00105 GHz	±4 Hz
50 MHz SPAN	20.99745 GHz	_____	21.00255 GHz	±4 Hz
100 MHz SPAN	20.9948 GHz	_____	21.0052 GHz	±4 Hz
1 GHz SPAN	20.950 GHz	_____	21.050 GHz	±4 Hz
29.0 GHz CENTER FREQ				
1 MHz SPAN	28.999988GHz	_____	29.000012GHz	±6 Hz
10 MHz SPAN	28.99948 GHz	_____	29.00052 GHz	±6 Hz
20 MHz SPAN	28.99895 GHz	_____	29.00105 GHz	±6 Hz
50 MHz SPAN	28.99745 GHz	_____	29.00255 GHz	±6 Hz
100 MHz SPAN	28.9948 GHz	_____	29.0052 GHz	±6 Hz
1 GHz SPAN	28.950 GHz	_____	29.050 GHz	±6 Hz

**Table 16-18 Performance Test Record (18 of 28)**

Agilent Technologies	
Select model: 8565E ___ 8565EC ___	Report No. _____
Serial No. _____	Date _____

Test Description	Results			Measurement Uncertainty
	Minimum	Measured	Maximum	
31. Frequency Readout Accuracy and Frequency Count Marker Accuracy (continued)				
35.0 GHz CENTER FREQ				
1 MHz SPAN	34.999988GHz	_____	35.000012 GHz	±6 Hz
10 MHz SPAN	34.99948 GHz	_____	35.00052 GHz	±6 Hz
20 MHz SPAN	34.99895 GHz	_____	35.00105 GHz	±6 Hz
50 MHz SPAN	34.99745 GHz	_____	35.00255 GHz	±6 Hz
100 MHz SPAN	34.9948 GHz	_____	35.0052 GHz	±6 Hz
1 GHz SPAN	34.950 GHz	_____	35.050 GHz	±6 Hz
45.0 GHz CENTER FREQ				
1 MHz SPAN	44.999988GHz	_____	45.000012 GHz	±8 Hz
10 MHz SPAN	44.99948 GHz	_____	45.00052 GHz	±8 Hz
20 MHz SPAN	44.99895 GHz	_____	45.00105 GHz	±8 Hz
50 MHz SPAN	44.99745 GHz	_____	45.00255 GHz	±8 Hz
100 MHz SPAN	44.9948 GHz	_____	45.0052 GHz	±8 Hz
1 GHz SPAN	44.950 GHz	_____	45.050 GHz	±8 Hz
Frequency Count Marker Accuracy:				
1.5 GHz CENTER FREQ	1.499999997 GHz	_____	1.500000003 GHz	±1 Hz
4.0 GHz CENTER FREQ	3.999999997 GHz	_____	4.000000003 GHz	±1 Hz
9.0 GHz CENTER FREQ	8.999999995 GHz	_____	9.000000005 GHz	±2 Hz
16.0 GHz CENTER FREQ	15.999999991 GHz	_____	16.000000009 GHz	±3 Hz

**Table 16-19 Performance Test Record (19 of 28)**

Agilent Technologies	
Select model: 8565E ____ 8565EC ____	Report No. _____
Serial No. _____	Date _____

Test Description	Results			Measurement Uncertainty
	Minimum	Measured	Maximum	
31. Frequency Readout Accuracy and Frequency Count Marker Accuracy (continued) Frequency Count Marker Accuracy: (cont'd)				
21.0 GHz CENTER FREQ	20.999999991 GHz	_____	21.000000009 GHz	±4 Hz
29.0 GHz CENTER FREQ	29.999999991 GHz	_____	30.000000009 GHz	±6 Hz
35.0 GHz CENTER FREQ	34.999999983 GHz	_____	35.000000017 GHz	±6 Hz
45.0 GHz CENTER FREQ	44.999999983 GHz	_____	45.000000017 GHz	±8 Hz
32. Pulse Digitization Uncertainty LOG 5dB/Div				
1 MHz RES BW		_____	1.25 dB	±0.15 dB
2 MHz RES BW		_____	3.0 dB	+0.43/-0.44 dB
LINEAR				
1 MHz RES BW		_____	4%	±0.31%
2 MHz RES BW		_____	12%	±0.65%
35. Second Harmonic Distortion (SHD)				
SHD (< 1.45 GHz)				
Serial Prefix <3641A		_____	-72 dBc	+1.87/-2.28 dB
Serial Prefix ≥3641A		_____	-79 dBc	+1.87/-2.28 dB
Option H13		_____	-79 dBc	+1.87/-2.28 dB
SHD (1.5 GHz)		_____	-85 dBc	+2.32/-2.66 dB
SHD (> 2.0 GHz)		_____	-90 dBc	+2.32/-2.66 dB



**Table 16-20 Performance Test Record (20 of 28)**

Agilent Technologies	
Select model: 8565E ___ 8565EC ___	Report No. _____
Serial No. _____	Date _____

Test Description	Results			Measurement Uncertainty
	Minimum	Measured	Maximum	
41. Frequency Response <i>(Enter data for either the -10 °C to 55 °C or 20 °C to 30 °C temperature range)</i>				
-10 °C to 55 °C				
Band 0				
Maximum Positive Response		_____	+1.5 dB	+0.37/-0.41 dB
Maximum Negative Response	-1.5 dB	_____		+0.37/-0.41 dB
Peak-to-Peak Response		_____	2.0 dB	+0.37/-0.41 dB
Band 1				
Maximum Positive Response		_____	+2.6 dB	+0.49/-0.55 dB
Maximum Negative Response	-2.6 dB	_____		+0.49/-0.55 dB
Peak-to-Peak Response		_____	3.4 dB	+0.49/-0.55 dB
Band 2				
Maximum Positive Response		_____	+3.0 dB	+0.49/-0.56 dB
Maximum Negative Response	-3.0 dB	_____		+0.49/-0.56 dB
Peak-to-Peak Response		_____	5.2 dB	+0.49/-0.56 dB
Band 3, < 22 GHz				
Maximum Positive Response		_____	+4.0 dB	+0.53/-0.60 dB
Maximum Negative Response	-4.0 dB	_____		+0.53/-0.60 dB
Peak-to-Peak Response		_____	5.0 dB	+0.53/-0.60 dB

8565E/EC Performance Test Record  
**Test Record**

**Table 16-21 Performance Test Record (21 of 28)**

Agilent Technologies	
Select model: 8565E ____ 8565EC ____	Report No. _____
Serial No. _____	Date _____

Test Description	Results			Measurement Uncertainty
	Minimum	Measured	Maximum	
41. Frequency Response (continued)				
-10 °C to 55 °C (cont'd)				
Band 3, > 22 GHz				
Maximum Positive Response		_____	+4.5 dB	+0.53/-0.60 dB
Maximum Negative Response	-4.5 dB	_____		+0.53/-0.60 dB
Peak-to-Peak Response		_____	6.6 dB	+0.53/-0.60 dB
Band 4				
Maximum Positive Response		_____	+4.0 dB	+0.74/-0.89 dB
Maximum Negative Response	-4.0 dB	_____		+0.74/-0.89 dB
Peak-to-Peak Response		_____	6.2 dB	+0.74/-0.89 dB
Band 5				
Maximum Positive Response		_____	+4.0 dB	+0.74/-0.89 dB
Maximum Negative Response	-4.0 dB	_____		+0.74/-0.89 dB
Peak-to-Peak Response		_____	6.4 dB	+0.74/-0.89 dB
Band 0, 100 MHz to 2.0 GHz (serial prefix ≥3641A)				
Peak-to-Peak Response		_____	1.8 dB	+0.37/-0.41 dB
Band Switching Uncertainty:				
Band 0 to Band 1		_____	3.7 dB	+0.86/-0.96 dB
Band 0 to Band 2		_____	4.6 dB	+0.86/-0.97 dB
Band 0 to Band 3, <22GHz		_____	4.5 dB	+0.90/-1.01 dB
Band 0 to Band 3, >22GHz		_____	5.3 dB	+0.90/-1.01 dB
Band 0 to Band 4		_____	5.1 dB	+1.11/-1.30 dB

**Table 16-22 Performance Test Record (22 of 28)**

Agilent Technologies	
Select model: 8565E ___ 8565EC ___	Report No. _____
Serial No. _____	Date _____

Test Description	Results			Measurement Uncertainty
	Minimum	Measured	Maximum	
41. Frequency Response (continued)				
-10 °C to 55 °C (cont'd)				
Band 0 to Band 5		_____	4.6 dB	+1.11/-1.30 dB
Band 1 to Band 2		_____	5.3 dB	+0.98/-1.11 dB
Band 1 to Band 3, <22GHz		_____	5.2 dB	+1.02/-1.15 dB
Band 1 to Band 3, >22GHz		_____	6.0 dB	+1.02/-1.15dB
Band 1 to Band 4		_____	5.8 dB	+1.23/-1.44 dB
Band 1 to Band 5		_____	5.3 dB	+1.23/-1.44 dB
Band 2 to Band 3, <22GHz		_____	6.1 dB	+1.02/-1.16 dB
Band 2 to Band 3, >22GHz		_____	6.9 dB	+1.02/-1.16 dB
Band 2 to Band 4		_____	6.7 dB	+1.23/-1.45 dB
Band 2 to Band 5		_____	6.2 dB	+1.23/-1.45 dB
Band 3, <22 GHz to Band 3, >22 GHz		_____	6.8 dB	+1.06/-1.20 dB
Band 3, <22 GHz to Band 4		_____	6.6 dB	+1.27/-1.49 dB
Band 3, <22 GHz to Band 5		_____	6.1 dB	+1.27/-1.49 dB
Band 3, >22 GHz to Band 4		_____	7.4 dB	+1.27/-1.49 dB
Band 3, >22 GHz to Band 5		_____	6.9 dB	+1.27/-1.49 dB
Band 4 to Band 5		_____	6.7 dB	+1.48/-1.78 dB
20 °C to 30 °C				
Band 0				
Maximum Positive Response		_____	+1.0 dB	+0.37/-0.41 dB
Maximum Negative Response	-1.0 dB	_____		+0.37/-0.41 dB
Peak-to-Peak Response		_____	1.6 dB	+0.37/-0.41 dB

8565E/EC Performance Test Record  
**Test Record**

**Table 16-23 Performance Test Record (23 of 28)**

Agilent Technologies	
Select model: 8565E ____ 8565EC ____	Report No. _____
Serial No. _____	Date _____

Test Description	Results			Measurement Uncertainty
	Minimum	Measured	Maximum	
41. Frequency Response (continued)				
20 °C to 30 °C (cont'd)				
Band 1				
Maximum Positive Response		_____	+1.8 dB	+0.49/-0.55 dB
Maximum Negative Response	-1.8 dB	_____		+0.49/-0.55 dB
Peak-to-Peak Response		_____	2.8 dB	+0.49/-0.55 dB
Band 2				
Maximum Positive Response		_____	+2.8 dB	+0.49/-0.56 dB
Maximum Negative Response	-2.8 dB	_____		+0.49/-0.56 dB
Peak-to-Peak Response		_____	4.4 dB	+0.49/-0.56 dB
Band 3, < 22 GHz				
Maximum Positive Response		_____	+3.5 dB	+0.53/-0.60 dB
Maximum Negative Response	-3.5 dB	_____		+0.53/-0.60 dB
Peak-to-Peak Response		_____	5.0 dB	+0.53/-0.60 dB
Band 3, > 22 GHz				
Maximum Positive Response		_____	+4.0 dB	+0.53/-0.60 dB
Maximum Negative Response	-4.0 dB	_____		+0.53/-0.60 dB
Peak-to-Peak Response		_____	4.4 dB	+0.53/-0.60 dB

**Table 16-24 Performance Test Record (24 of 28)**

Agilent Technologies	
Select model: 8565E ___ 8565EC ___	Report No. _____
Serial No. _____	Date _____

Test Description	Results			Measurement Uncertainty
	Minimum	Measured	Maximum	
41. Frequency Response (continued)				
20 °C to 30 °C (cont'd)				
Band 4				
Maximum Positive Response		_____	+3.0 dB	+0.74/−0.89 dB
Maximum Negative Response	−3.0 dB	_____		+0.74/−0.89 dB
Peak-to-Peak Response		_____	5.8 dB	+0.74/−0.89 dB
Band 5				
Maximum Positive Response		_____	+4.0 dB	+0.74/−0.89 dB
Maximum Negative Response	−4.0 dB	_____		+0.74/−0.89 dB
Peak-to-Peak Response		_____	6.0 dB	+0.74/−0.89 dB
Band 0, 100 MHz to 2.0 GHz (serial prefix ≥3641A)				
Peak-to-Peak Response		_____	1.6 dB	+0.37/−0.41 dB
Band Switching Uncertainty:				
Band 0 to Band 1		_____	3.2 dB	+0.86/−0.96 dB
Band 0 to Band 2		_____	4.0 dB	+0.86/−0.97 dB
Band 0 to Band 3, <22GHz		_____	4.3 dB	+0.90/−1.01 dB
Band 0 to Band 3, >22GHz		_____	4.0 dB	+0.90/−1.01 dB
Band 0 to Band 4		_____	4.7 dB	+1.11/−1.30 dB
Band 0 to Band 5		_____	4.2 dB	+1.11/−1.30 dB
Band 1 to Band 2		_____	4.6 dB	+0.98/−1.11 dB
Band 1 to Band 3, <22GHz		_____	4.9 dB	+1.02/−1.15 dB
Band 1 to Band 3, >22GHz		_____	4.6 dB	+1.02/−1.15dB
Band 1 to Band 4		_____	5.3 dB	+1.23/−1.44 dB

8565E/EC Performance Test Record  
Test Record

**Table 16-25 Performance Test Record (25 of 28)**

Agilent Technologies	
Select model: 8565E ____ 8565EC ____	Report No. _____
Serial No. _____	Date _____

Test Description	Results			Measurement Uncertainty
	Minimum	Measured	Maximum	
41. Frequency Response (continued) -20 °C to 30 °C (cont'd) Band Switching Uncertainty: (cont'd)				
Band 1 to Band 5		_____	4.8 dB	+1.23/-1.44 dB
Band 2 to Band 3, <22GHz		_____	5.7 dB	+1.02/-1.16 dB
Band 2 to Band 3, >22GHz		_____	5.4 dB	+1.02/-1.16 dB
Band 2 to Band 4		_____	6.1 dB	+1.23/-1.45 dB
Band 2 to Band 5		_____	5.6 dB	+1.23/-1.45 dB
Band 3, <22 GHz to Band 3, >22 GHz		_____	5.7 dB	+1.06/-1.20 dB
Band 3, <22 GHz to Band 4		_____	6.4 dB	+1.27/-1.49 dB
Band 3, <22 GHz to Band 5		_____	5.9 dB	+1.27/-1.49 dB
Band 3, >22 GHz to Band 4		_____	6.1 dB	+1.27/-1.49 dB
Band 3, >22 GHz to Band 5		_____	5.6 dB	+1.27/-1.49 dB
Band 4 to Band 5		_____	6.3 dB	+1.48/-1.78 dB
42. Frequency Span Accuracy				
1 kHz SPAN	-1 %	_____	+1 %	±0.24 %
2 kHz SPAN	-1 %	_____	+1 %	±0.24 %
5 kHz SPAN	-1 %	_____	+1 %	±0.24 %
10 kHz SPAN	-1 %	_____	+1 %	±0.24 %
20 kHz SPAN	-1 %	_____	+1 %	±0.24 %
50 kHz SPAN	-1 %	_____	+1 %	±0.24 %
100 kHz SPAN	-1 %	_____	+1 %	±0.24 %
200 kHz SPAN	-1 %	_____	+1 %	±0.24 %
500 kHz SPAN	-1 %	_____	+1 %	±0.24 %
1 MHz SPAN	-1 %	_____	+1 %	±0.24 %
2 MHz SPAN	-1 %	_____	+1 %	±0.24 %

**Table 16-26 Performance Test Record (26 of 28)**

Agilent Technologies	
Select model: 8565E ___ 8565EC ___	Report No. _____
Serial No. _____	Date _____

Test Description	Results			Measurement Uncertainty
	Minimum	Measured	Maximum	
42. Frequency Span Accuracy (continued)				
5 MHz SPAN	-5%	_____	+5%	±0.24%
10 MHz SPAN	-5%	_____	+5%	±0.24%
20 MHz SPAN	-5%	_____	+5%	±0.24%
50 MHz SPAN	-5%	_____	+5%	±0.24%
100 MHz SPAN	-5%	_____	+5%	±0.24%
200 MHz SPAN	-5%	_____	+5%	±0.24%
500 MHz SPAN	-5%	_____	+5%	±0.24%
46. Third Order Intermodulation Distortion				
TOI Distortion, 45 MHz				
Serial Prefix <3641A		_____	-78 dBc	+1.41/-1.43 dB
Serial Prefix ≥3641A		_____	-82 dBc	+1.41/-1.43 dB
Option H13		_____	-82 dBc	+1.41/-1.43 dB
TOI Distortion, 5 GHz		_____	-90 dBc	+2.04/-2.12 dB
TOI Distortion, 8 GHz		_____	-75 dBc	+2.04/-2.12 dB
50. Gain Compression				
Gain Compression, 2 GHz		_____	1 dB	±0.19 dB
Gain Compression, 4 GHz		_____	1 dB	±0.22 dB
Gain Compression, 7 GHz		_____	1 dB	±0.22 dB
52. 1ST LO OUTPUT Amplitude				
Maximum 1ST LO OUTPUT AMPLITUDE		_____	+18.5 dBm	±0.18 dB
Minimum 1ST LO OUTPUT AMPLITUDE	+14.5 dBm	_____		±0.18 dB

**Table 16-27 Performance Test Record (27 of 28)**

Agilent Technologies	
Select model: 8565E ____ 8565EC ____	Report No. _____
Serial No. _____	Date _____

Test Description	Results			Measurement Uncertainty
	Minimum	Measured	Maximum	
53. Sweep Time Accuracy				
50 $\mu$ s SWEEP TIME <sup>†</sup>	42.5 $\mu$ s	_____	57.5 $\mu$ s	$\pm$ 750 ns
100 $\mu$ s SWEEP TIME <sup>†</sup>	85.0 $\mu$ s	_____	115 $\mu$ s	$\pm$ 1.5 $\mu$ s
200 $\mu$ s SWEEP TIME <sup>†</sup>	170 $\mu$ s	_____	230 $\mu$ s	$\pm$ 3.0 $\mu$ s
500 $\mu$ s SWEEP TIME <sup>†</sup>	425 $\mu$ s	_____	575 $\mu$ s	$\pm$ 7.5 $\mu$ s
1 ms SWEEP TIME <sup>†</sup>	850 $\mu$ s	_____	1.15 ms	$\pm$ 15 $\mu$ s
2 ms SWEEP TIME <sup>†</sup>	1.70 ms	_____	2.30 ms	$\pm$ 30 $\mu$ s
5 ms SWEEP TIME <sup>†</sup>	4.25 ms	_____	5.75 ms	$\pm$ 75 $\mu$ s
10 ms SWEEP TIME <sup>†</sup>	8.50 ms	_____	11.5 ms	$\pm$ 150 $\mu$ s
20 ms SWEEP TIME <sup>†</sup>	17.0 ms	_____	23.0 ms	$\pm$ 300 $\mu$ s
30 ms SWEEP TIME	29.7 ms	_____	30.3 ms	$\pm$ 209 ns
50 ms SWEEP TIME	49.5 ms	_____	50.5 ms	$\pm$ 281 ns
100 ms SWEEP TIME	99.0 ms	_____	101.0 ms	$\pm$ 461 ns
200 ms SWEEP TIME	198.0 ms	_____	202.0 ms	$\pm$ 821 ns
500 ms SWEEP TIME	495.0 ms	_____	505.0 ms	$\pm$ 1.901 $\mu$ s
1 s SWEEP TIME	990.0 ms	_____	1.010 s	$\pm$ 3.7 $\mu$ s
2 s SWEEP TIME	1.980 s	_____	2.020 s	$\pm$ 7.3 $\mu$ s
5 s SWEEP TIME	4.950 s	_____	5.050 s	$\pm$ 18.1 $\mu$ s
10 s SWEEP TIME	9.900 s	_____	10.10 s	$\pm$ 36.1 $\mu$ s
20 s SWEEP TIME	19.80 s	_____	20.20 s	$\pm$ 72.1 $\mu$ s
50 s SWEEP TIME	49.50 s	_____	50.50 s	$\pm$ 180.1 $\mu$ s
100 s SWEEP TIME	99.00 s	_____	101.0 s	$\pm$ 360.1 $\mu$ s
56. Residual Responses				
200 kHz to 2.9 GHz		_____	-90 dBm	+1.24/-1.37 dB
2.9 GHz to 6.5 GHz		_____	-90 dBm	+1.24/-1.37 dB
<sup>†</sup> These entries apply only to E-Series spectrum analyzers without Option 007.				



**Table 16-28 Performance Test Record (28 of 28)**

Agilent Technologies	
Select model: 89565E ___ 8565EC ___	Report No. _____
Serial No. _____	Date _____

Test Description	Results			Measurement Uncertainty
	Minimum	Measured	Maximum	
57. IF INPUT Amplitude Accuracy (Non-Option 327 only) IF INPUT Amplitude	-31.5 dBm	_____	-28.5 dBm	+0.40/-0.44 dB
58. Gate Delay Accuracy and Gate Length Accuracy				
MIN Gate Delay	2.0000 $\mu$ s	_____	4.0000 $\mu$ s	$\pm$ 21 ns
MAX Gate Delay	2.0000 $\mu$ s	_____	4.0000 $\mu$ s	$\pm$ 21 ns
1 $\mu$ s Gate Length	0.0000 ns	_____	2.0000 $\mu$ s	$\pm$ 11 ns
65 ms Gate Length	64.999 ms	_____	65.001 ms	$\pm$ 752 ns
59. Delayed Sweep Accuracy				
1000 $\mu$ s	999 $\mu$ s	_____	1001 $\mu$ s	$\pm$ 114 ns
2000 $\mu$ s	1999 $\mu$ s	_____	2001 $\mu$ s	$\pm$ 124 ns
5000 $\mu$ s	4999 $\mu$ s	_____	5001 $\mu$ s	$\pm$ 154 ns
10000 $\mu$ s	9999 $\mu$ s	_____	10001 $\mu$ s	$\pm$ 204 ns
20000 $\mu$ s	19999 $\mu$ s	_____	20001 $\mu$ s	$\pm$ 304 ns
50000 $\mu$ s	49999 $\mu$ s	_____	50001 $\mu$ s	$\pm$ 604 ns
65000 $\mu$ s	64999 $\mu$ s	_____	65001 $\mu$ s	$\pm$ 754 ns

8565E/EC Performance Test Record  
**Test Record**

## Numerics

- 10 MHz ref output, 538
- 10 MHz reference
  - operation verif software, 21

## A

- Add File softkey, 35
- addresses
  - op ver software, 25
- All Tests softkey, 35
- All Tests softkey menu, 31
  - abort sequence, 31, 32
  - list equipment, 32
  - repeat sequence, 32
  - repeat test, 32
  - restart, 31
  - single sequence, 31
  - single test, 31
- All Tests softkeys
  - abort test, 31
- attenuator switching uncertainty, 329, 607

## B

- bus
  - dual operation, 28

## C

- Cal Sensor softkey, 35
- calibration data, 25
  - power sensor, 28
- calibrator amplitude accuracy, 542
- Change Entry softkey, 34
- characteristics, 63, 101, 137, 138, 177, 178, 217, 218, 257, 258
- computer
  - operation verif software, 13
- conditions file
  - op ver software, 26
- conditions menu softkeys, 34
  - change entry, 34
  - exit program, 34
  - load conditions, 34
  - query DUT s/n, 34
  - sensor utilities softkey, 34
  - store conditions, 34
  - test menu, 34
  - verify GPIB, 34
- controller
  - operation verif software, 13

## D

- declaration of conformity, 98, 134, 135, 173, 174, 213, 214, 254, 255, 294, 295

## defaults

- op ver software, 26
- delayed sweep accuracy, 892
- Delete File softkey, 35
- displayed average noise level, 544, 550, 556, 562, 570, 579

## E

- equipment
  - listing from software, 32
  - operation verif software, 14, 15, 16
- error messages
  - operation verif software, 56
- Exit Program softkey, 34
- exiting operation verif software, 27

## F

- frequency readout accuracy, 689
- frequency response, 377, 393, 416, 435, 458, 723, 738, 759, 775, 794
- frequency tracking range, 928

## G

- gain compression, 844, 847, 851, 856
- gate delay accuracy, 886
- gate length accuracy, 886
- GPIB
  - dual bus operation, 28
- GPIB address
  - operation verif software, 25
- GPIB verification
  - op ver software, 27

## I

- IEC declaration, 98, 135, 174, 214, 255, 295
- IF alignment uncertainty, 308, 589
- IF gain uncertainty, 338, 614
- IF input amplitude accuracy, 883
- image responses, 639, 642, 646, 650, 656, 664
- ISO declaration, 98, 135, 174, 214, 255, 295

## L

- List Equip softkey, 35
- List Files softkey, 35
- LO output amplitude, 861, 865
- Load Conds softkey, 34
- loading operation verification software, 22

## M

- marker count accuracy, 689

## mass storage

- operation verif software, 30
- mass storage file, 26
- mass storage location, 24
- MEASUREMENT IS OUT OF TOLERANCE software message, 33
- memory for operation verification software, 14, 24
- MISSING ETE software message, 30, 32
- multiple responses, 639, 642, 646, 650, 656, 664

## N

- noise declaration, 100, 136, 175, 215, 256, 296
- noise sidebands, 632, 635

## O

- operation verification, 27
  - 10 MHz reference, 21
  - alphabetic error messages, 56, 60
  - BASIC binaries, 22
  - BASIC programs, 22
  - changing mass storage file, 30
  - compatible controllers, 13
  - conditions menu, 23
  - controller setup, 20
  - dual-bus operation, 28
  - error messages, 56, 62
  - frequency counter, 31
  - getting started, 13
  - GPIB addressing, 25
  - GPIB cables, 21
  - GPIB printers, 15
  - introduction, 12
  - loading software, 22
  - loading the program, 22
  - mass storage file, 24, 25, 26, 28, 29
  - memory required, 14
  - missing ETE, 30
  - numeric error messages, 60, 61
  - operating system software, 13
  - power meter, 30
  - power sensor cal, 32
  - power sensors, 25
  - required test equipment, 16
  - sensor data file, 29
  - sensor file deletion, 29
  - sensor file edits, 29
  - sensor serial number, 29
  - sensor utilities menu, 28, 30
  - serial number query, 27
  - test descriptions, 36, 55
  - test modes, 30
  - test record header, 24

- test results, 33
- variable error messages, 61, 62
- verifying GPIB, 27
- warmup times, 15
- operation verification menus
  - all tests, 23
  - all-tests operation, 31
  - conditions menu, 34
  - sensor utilities menu, 35
  - test menu, 27, 35
- operation verification softkeys, 34, 35
- operation verification test descriptions, 36, 55
- operation verification tests
  - test equipment per test, 15
  - test list, 15
  - tests excluded, 15, 19
- option 002 performance tests
  - absolute amplitude and vernier accy, 899
  - frequency tracking range, 928
  - harmonic spurious outputs, 911
  - LO feedthrough amplitude, 921
  - maximum leveled output power, 902
  - non-harmonic spurious outputs, 915
  - power sweep range, 905
  - RF power off residuals, 908
  - tracking generator feedthrough, 924
  - tracking generator frequency accy, 931
  - tracking generator level flatness, 895
- out of band responses, 642, 646, 650, 656, 664
- out of range responses, 639, 642
- P**
- PASS software message, 33
- performance tests
  - calibration cycle, 299, 516
  - failed specification, 299, 516
  - recommended test equipment list, 301, 307, 523
- power meter
  - operation verif software, 30
- power sensor
  - operation verification, 28
- power sensor utilities menu softkeys, 35
  - add file, 35
  - delete file, 35
  - list files, 35
  - system file, 35
  - view/edit, 35
- power sensors
  - operation verification, 25
- printer
  - op ver software, 27
- printers
  - operation verif software, 15
- problems
  - operation verif software, 30
- Q**
- Query DUT S/N Menu softkey, 34
- R**
- Repeat Sequence softkey, 35
- Repeat Test softkey, 35
- residual FM, 629
- residual responses, 874, 877, 880
- resolution bandwidth accuracy and selectivity, 312, 592
- resolution bandwidth switching, 308, 589
- S**
- scale fidelity, 346, 619
- sensor utilities menu, 28
- sensor utilities menu softkeys, 35
- Sensor Utils softkey, 34
- serial number, 27
- setup
  - software tests, 21
- SHORT PASS software message, 33
- Single Sequence softkey, 35
- Single Test softkey, 35
- specifications, 63, 101, 137, 138, 177, 178, 217, 218, 257, 258
- step attenuator, 307
- Store Conds softkey, 34
- sweep time, 540
- sweep time accuracy, 868
- System File softkey, 35
- T**
- TAM functional tests, 521, 523
  - running TAM tests, 523
- test list and required equipment, 521
- test descriptions, 36, 55
  - 10 MHz reference accy, 36
  - 1ST LO OUTPUT amp accy, 38
  - calibrator amp accy, 39
  - displayed avg noise level, 40
  - fast sweep time accy, 41
  - frequency counter accy, 42
  - frequency readout, 42
  - frequency response, 43
  - frequency span accy, 45
  - IF gain uncertainty, 46
  - image and multiple responses, 47
  - input attn switching uncertainty, 48
  - noise sidebands, 49
  - RES BW accy and selectivity, 50
  - RES BW switching uncertainty, 51
  - residual FM, 52
  - scale fidelity, 53
  - second harmonic distortion, 54
- test equipment
  - operation verif software, 14, 16
- test menu, 30
  - op ver software, 27
  - Test Menu softkey, 34
  - test menu softkeys, 35
  - all tests, 35
  - calibrate sensor, 35
  - list equipment, 35
  - repeat sequence, 35
  - repeat test, 35
  - single sequence, 35
  - single test, 35
- test procedures
  - 1st LO output amplitude, 861, 865
  - absolute amplitude and vernier accy, 899
  - calibrator amplitude accuracy, 542
  - delayed sweep accuracy, 892
  - displayed average noise level, 544, 550, 556, 562, 570, 579
  - fast sweep time, 540
  - frequency readout
    - accuracy/frequency count marker accuracy, 689
  - frequency response, 377, 393, 416, 435, 458, 723, 738, 759, 775, 794
  - frequency tracking range, 928
  - gain compression, 844, 847, 851, 856
  - gate delay and gate length accuracy, 886
  - harmonic spurious outputs, 911
  - IF gain uncertainty, 338, 614
  - IF input amplitude accuracy, 883
  - image, multiple, and out-of-band responses, 646, 650, 656, 664
  - image, multiple, out of range resp., 639, 642
  - input attenuator switching uncertainty, 329, 607
  - LO feedthrough amplitude, 921
  - maximum leveled output power, 902
  - noise sidebands, 632, 635
  - non-harmonic spurious outputs, 915
  - option 103 10 MHz ref output, 538
  - power sweep range, 905
  - residual FM, 629
  - residual responses, 874, 877, 880
  - resolution bandwidth accuracy and selectivity, 312, 592

---

resolution bandwidth switching and  
IF alignment uncertainty, 308,  
589

RF power off residuals, 908

scale fidelity, 346, 619

sweep time accuracy, 868

third order intermodulation  
distortion, 484, 491, 500, 821,  
827, 836

tracking generator feedthrough, 924

tracking generator freq. accy, 931

tracking generator level flatness, 895

test record header, 24

third order intermodulation distortion,  
484, 491, 500, 821, 827, 836

tracking generator absolute amplitude  
accuracy, 899

tracking generator feedthrough, 924

tracking generator frequency accuracy,  
931

tracking generator harmonic spurious  
outputs, 911

tracking generator level flatness, 895

tracking generator LO feedthrough  
amplitude, 921

tracking generator maximum output  
power, 902

tracking generator non-harmonic  
spurious outputs, 915

tracking generator power sweep range,  
905

tracking generator RF power off  
residuals, 908

tracking generator vernier accuracy,  
899

## V

Verify Bus softkey, 34

View/Edit softkey, 35

## W

warmup time  
operation verif software, 15

